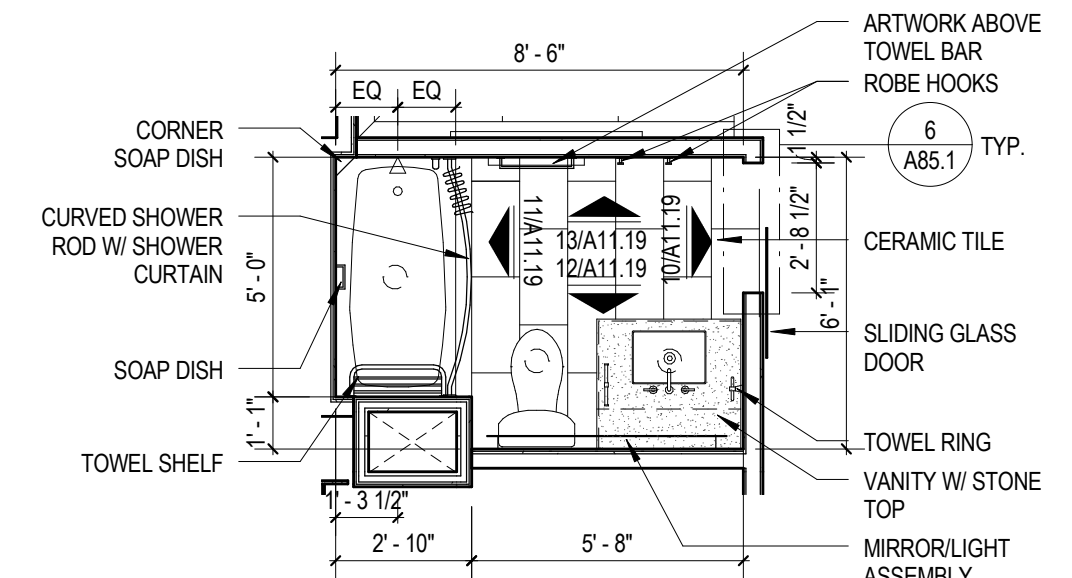
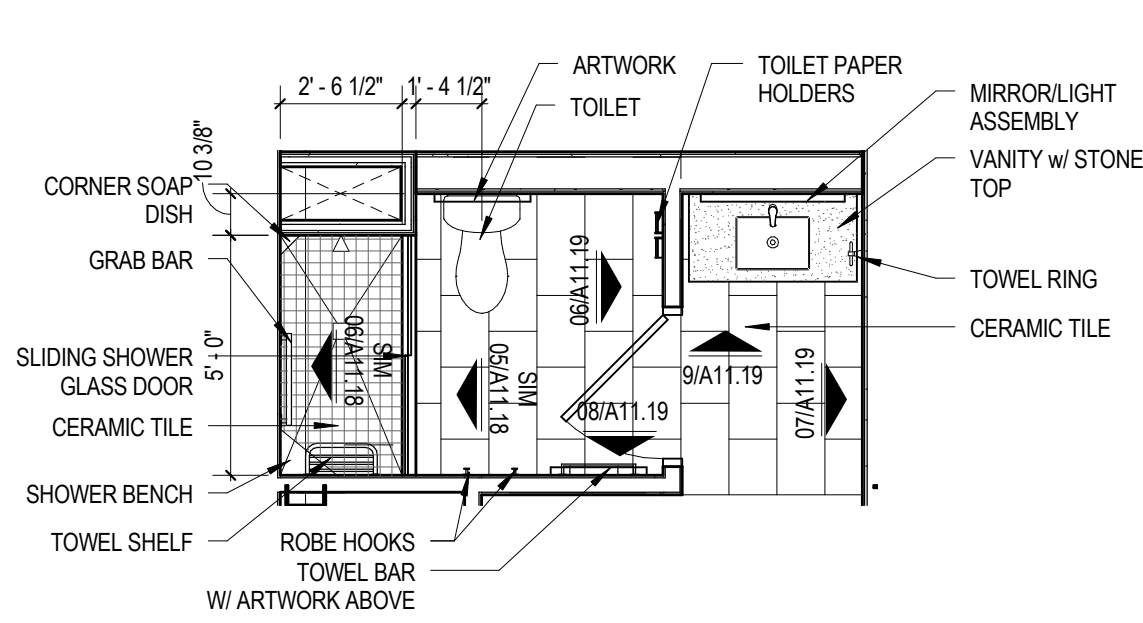


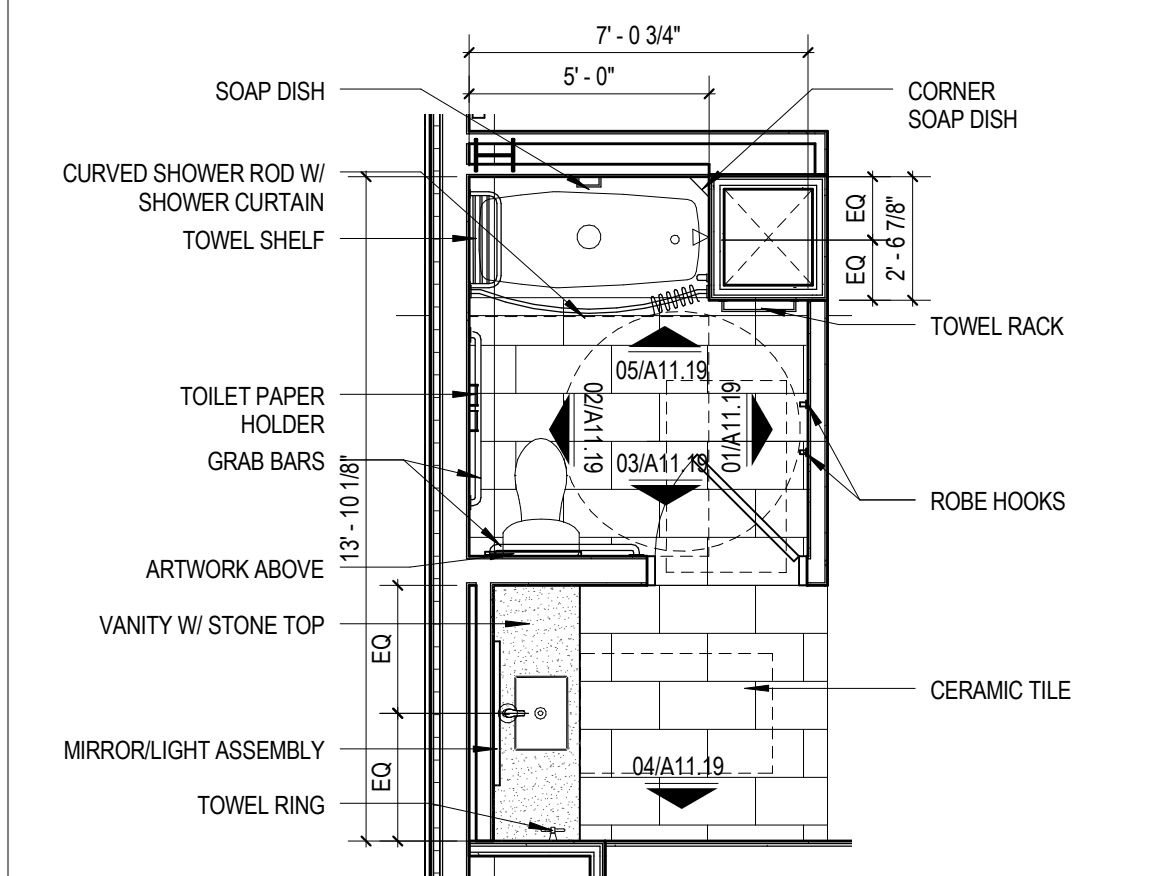
13 ENLARGED BATHROOM - QUEEN TYPE
 QB/QB(1)
 1/4" = 1'-0"



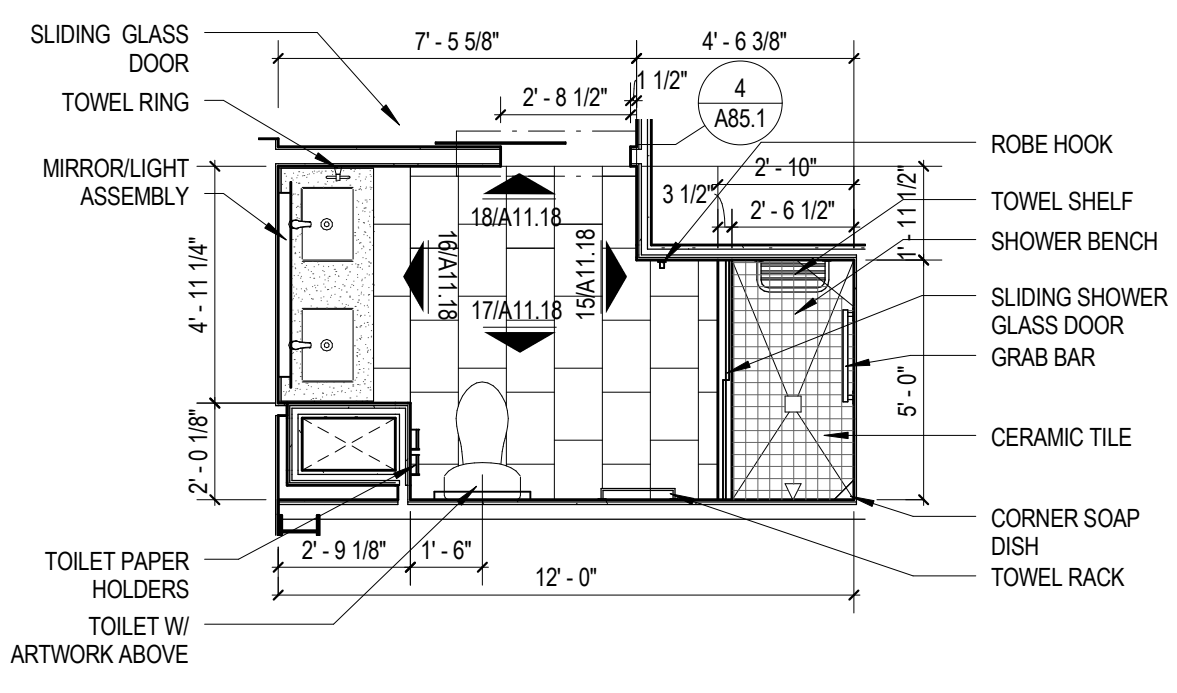
12 ENLARGED BATHROOM - QUEEN TYPE
 QA/QA(1)
 1/4" = 1'-0"



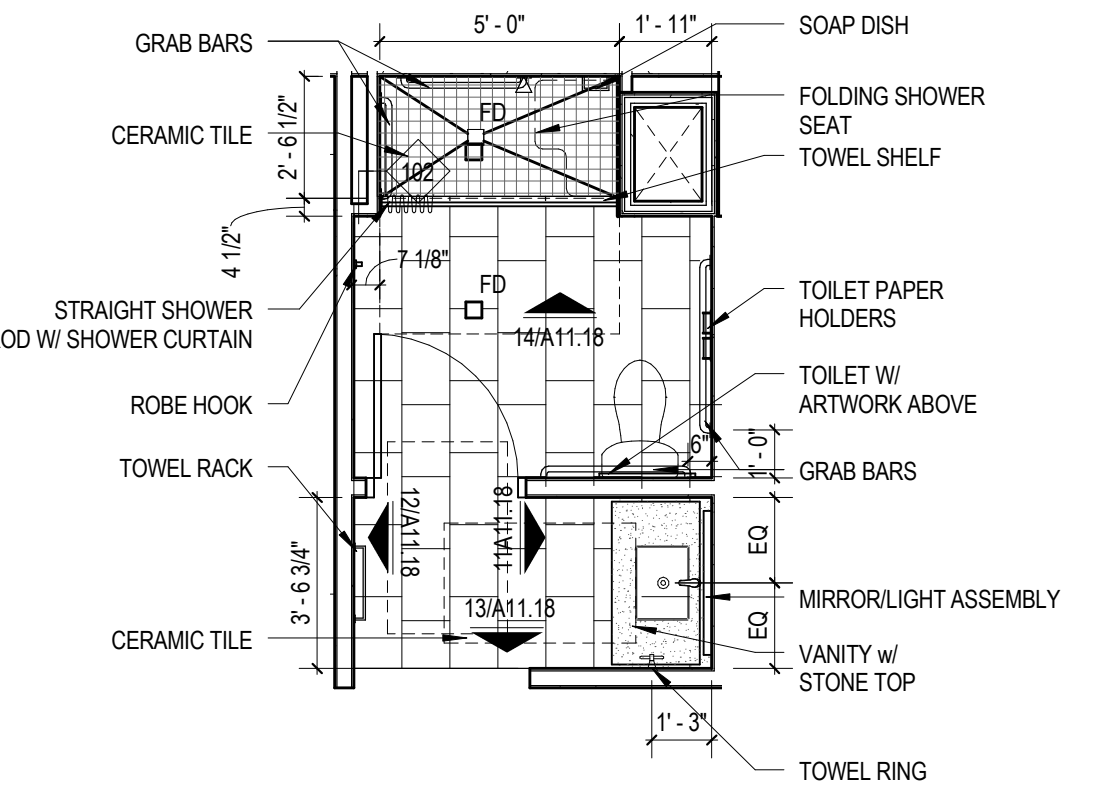
11 ENLARGED BATHROOM - KING TYPE KP
 1/4" = 1'-0"



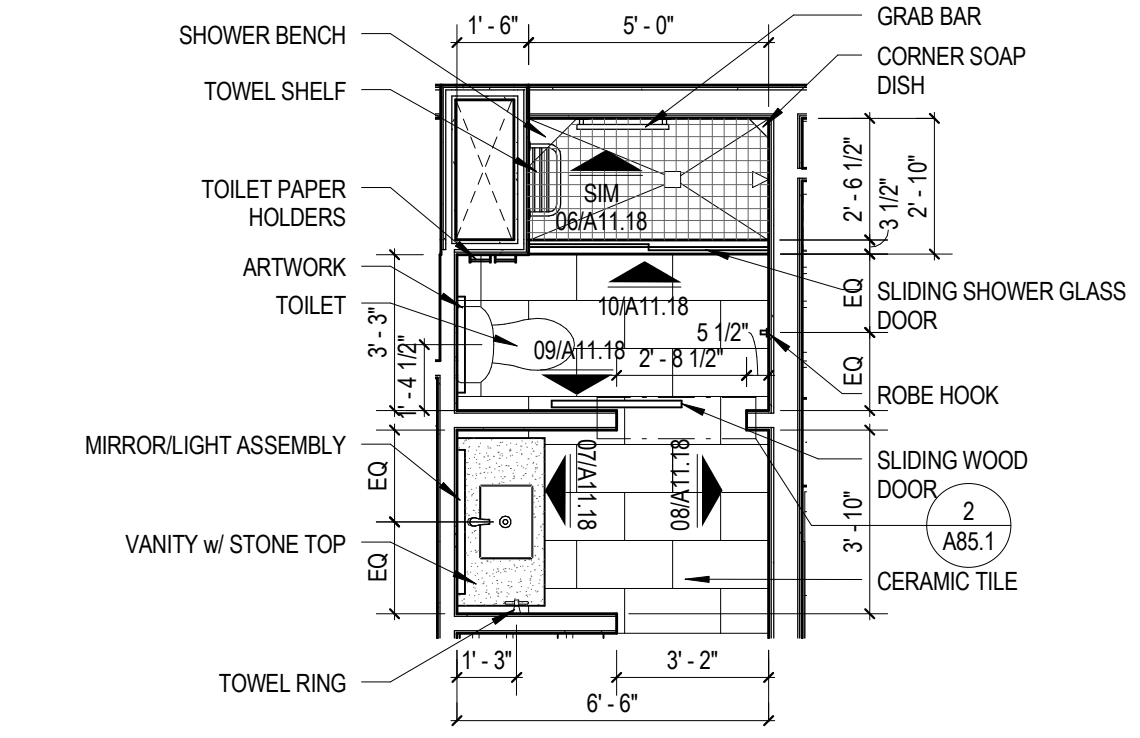
10 ENLARGED BATHROOM - KING TYPE
 KN/QUEEN TYPE QN ACCESSIBLE
 1/4" = 1'-0"



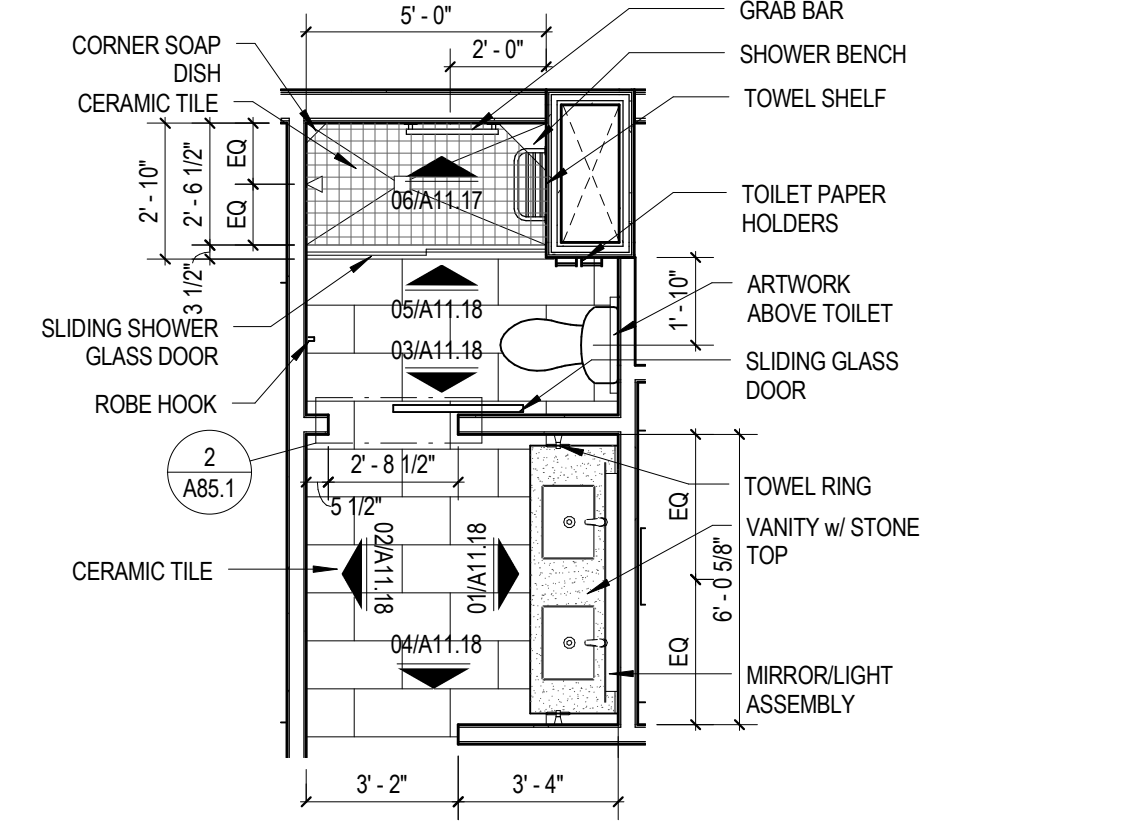
9 ENLARGED BATHROOM - KING TYPE KM
 1/4" = 1'-0"



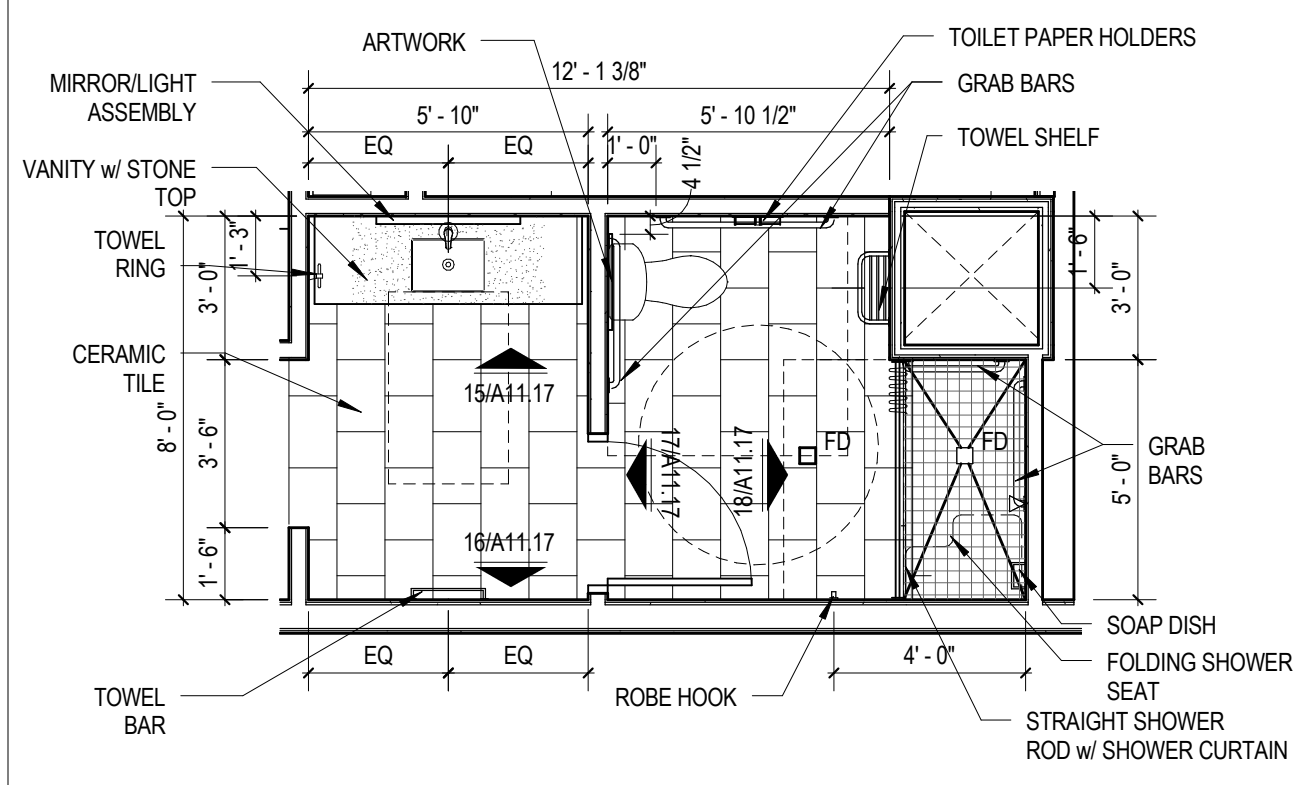
8 ENLARGED BATHROOM - KING TYPE KL
 1/4" = 1'-0"



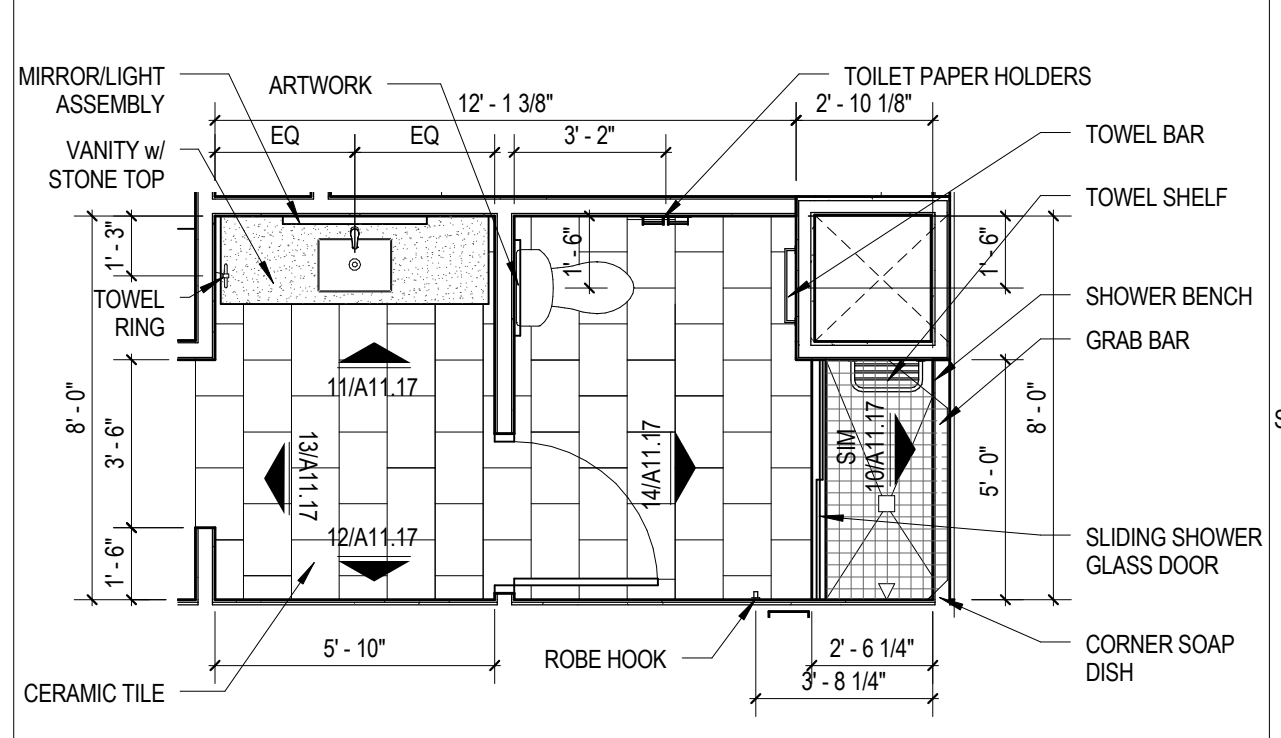
7 ENLARGED BATHROOM - KING TYPE KK
 1/4" = 1'-0"



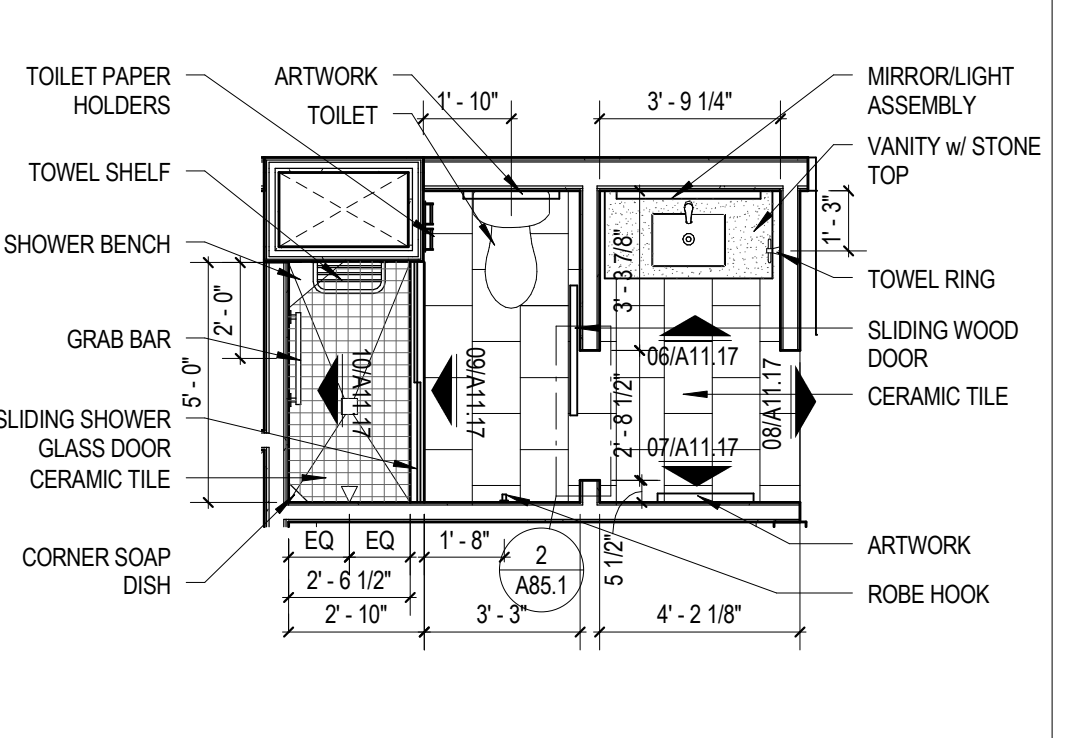
6 ENLARGED BATHROOM - KING TYPE KJ
 1/4" = 1'-0"



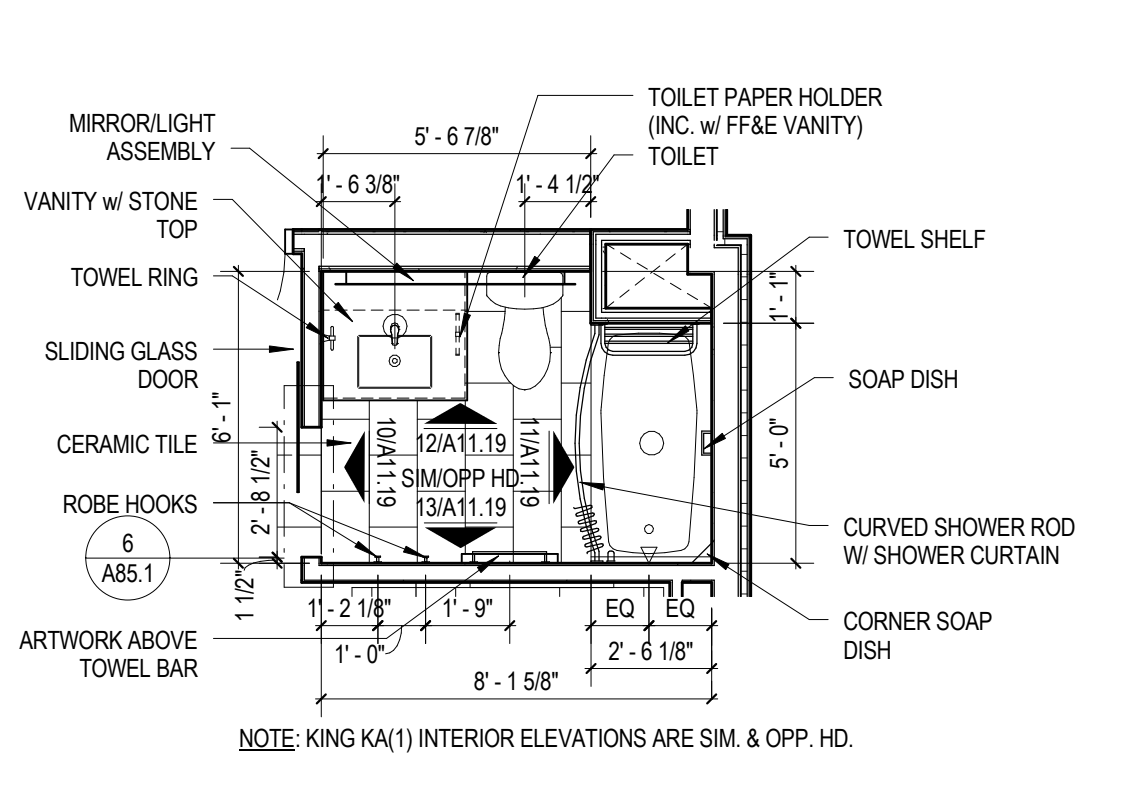
5 ENLARGED BATHROOM - KING TYPE KH
 (1) ACCESSIBLE
 1/4" = 1'-0"



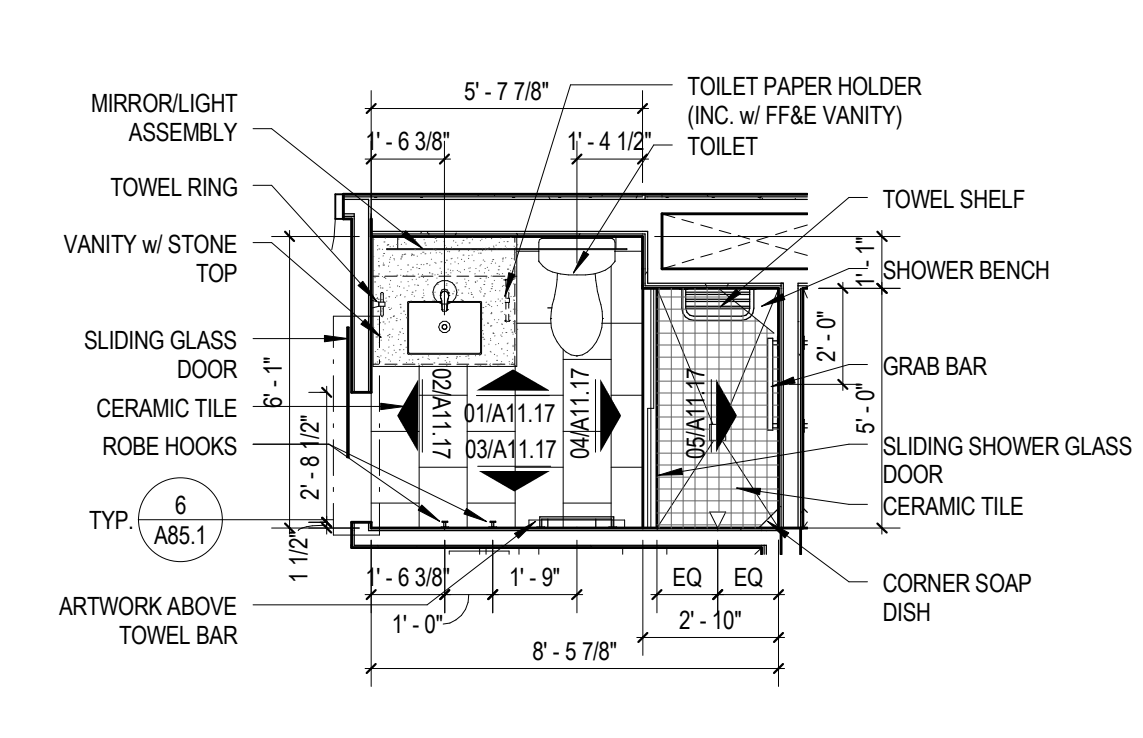
4 ENLARGED BATHROOM - KING TYPE KH
 1/4" = 1'-0"



3 ENLARGED BATHROOM - KING TYPE KD
 1/4" = 1'-0"



2 ENLARGED BATHROOM - KING KA(1)
 1/4" = 1'-0"



1 ENLARGED BATHROOM - KING
 KA(2)/KB(1)
 1/4" = 1'-0"