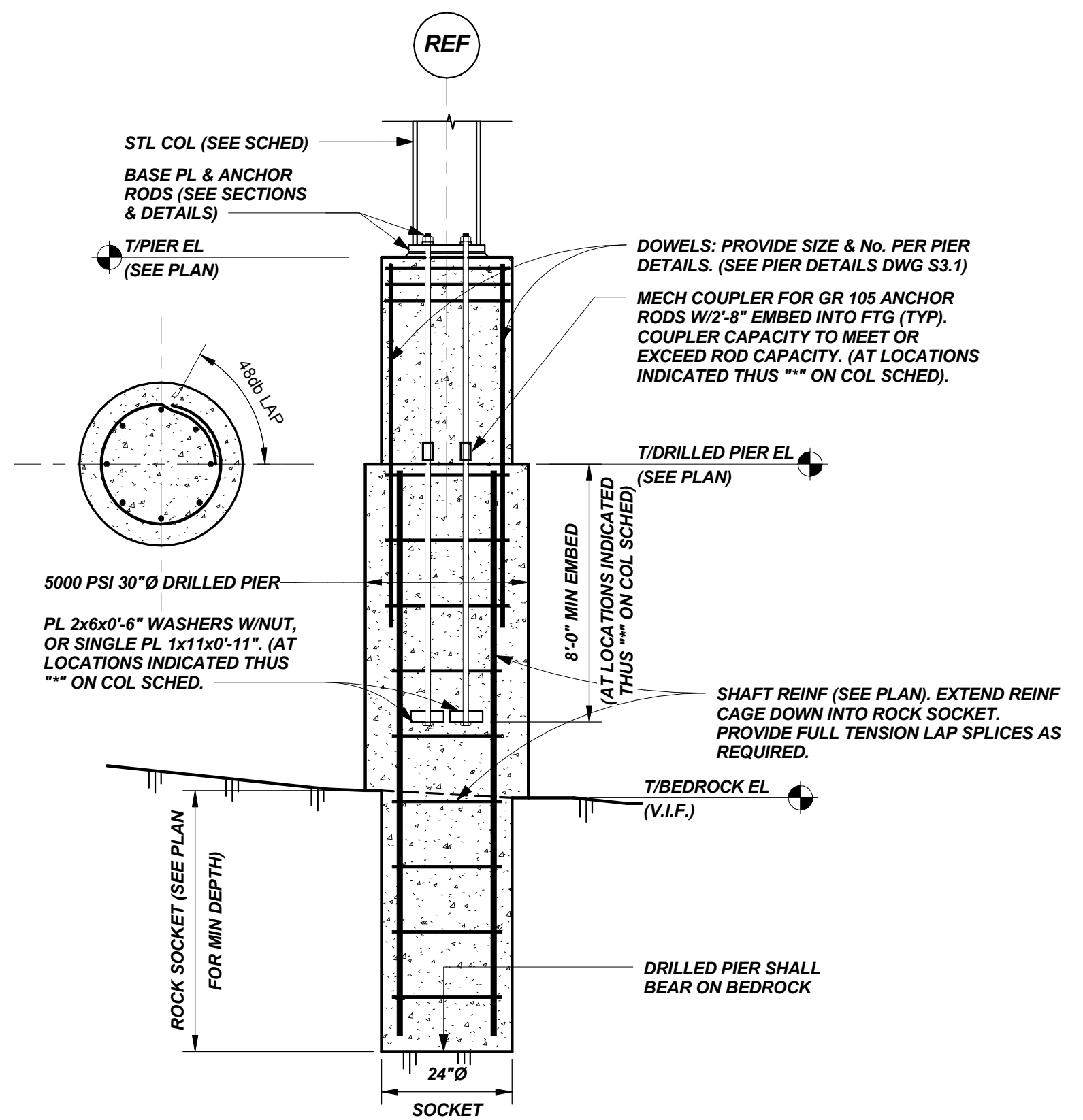
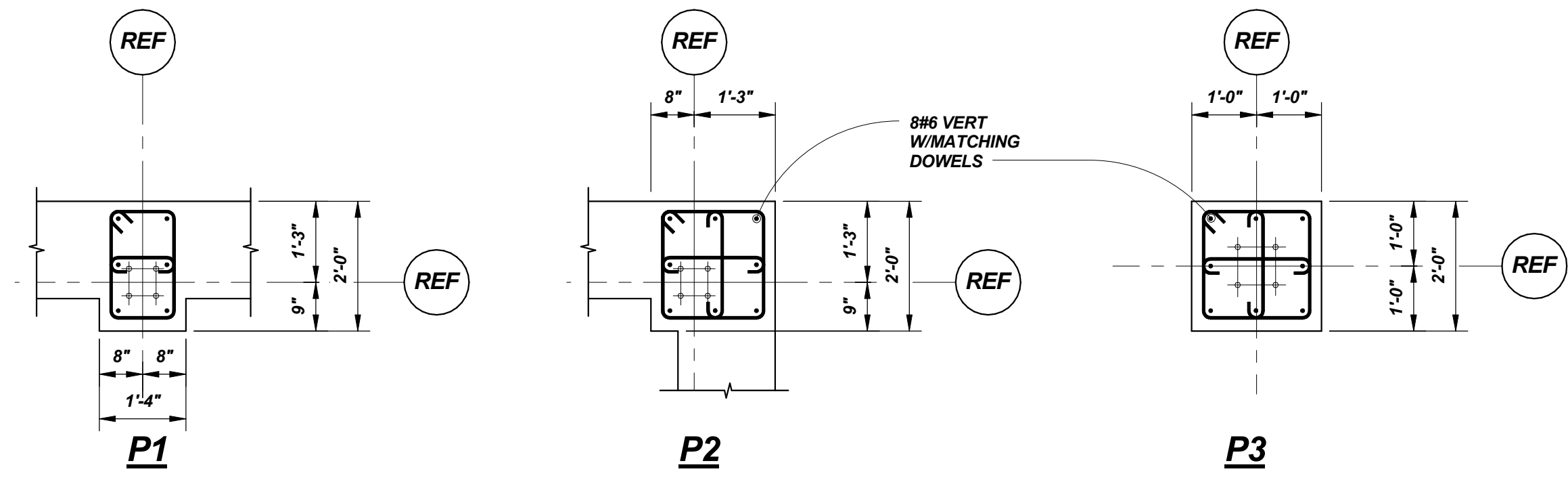


TYP ROCK ANCHOR DETAIL
1/2"=1'-0"

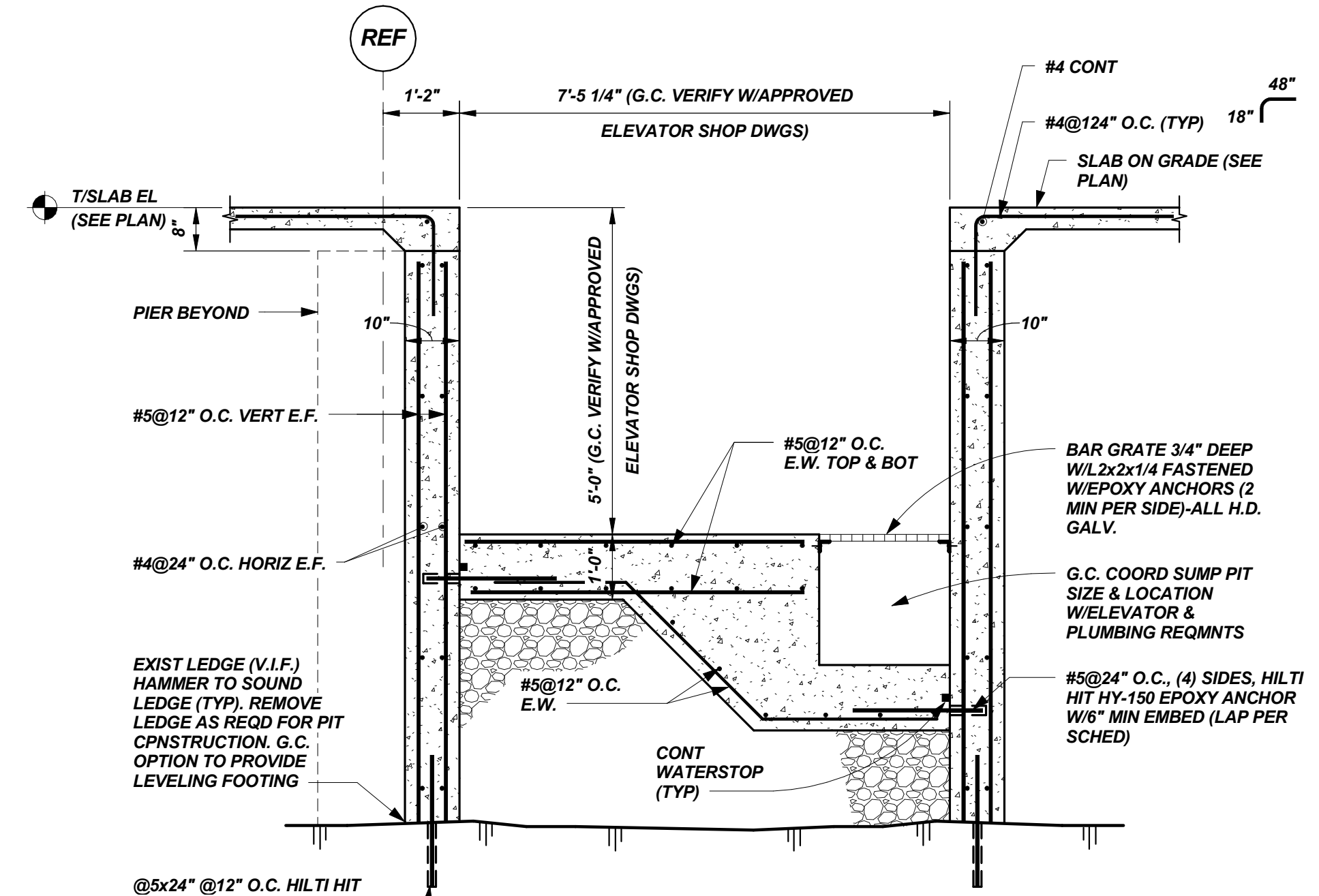


TYP DRILLED PIER DETAIL
1/2"=1'-0"

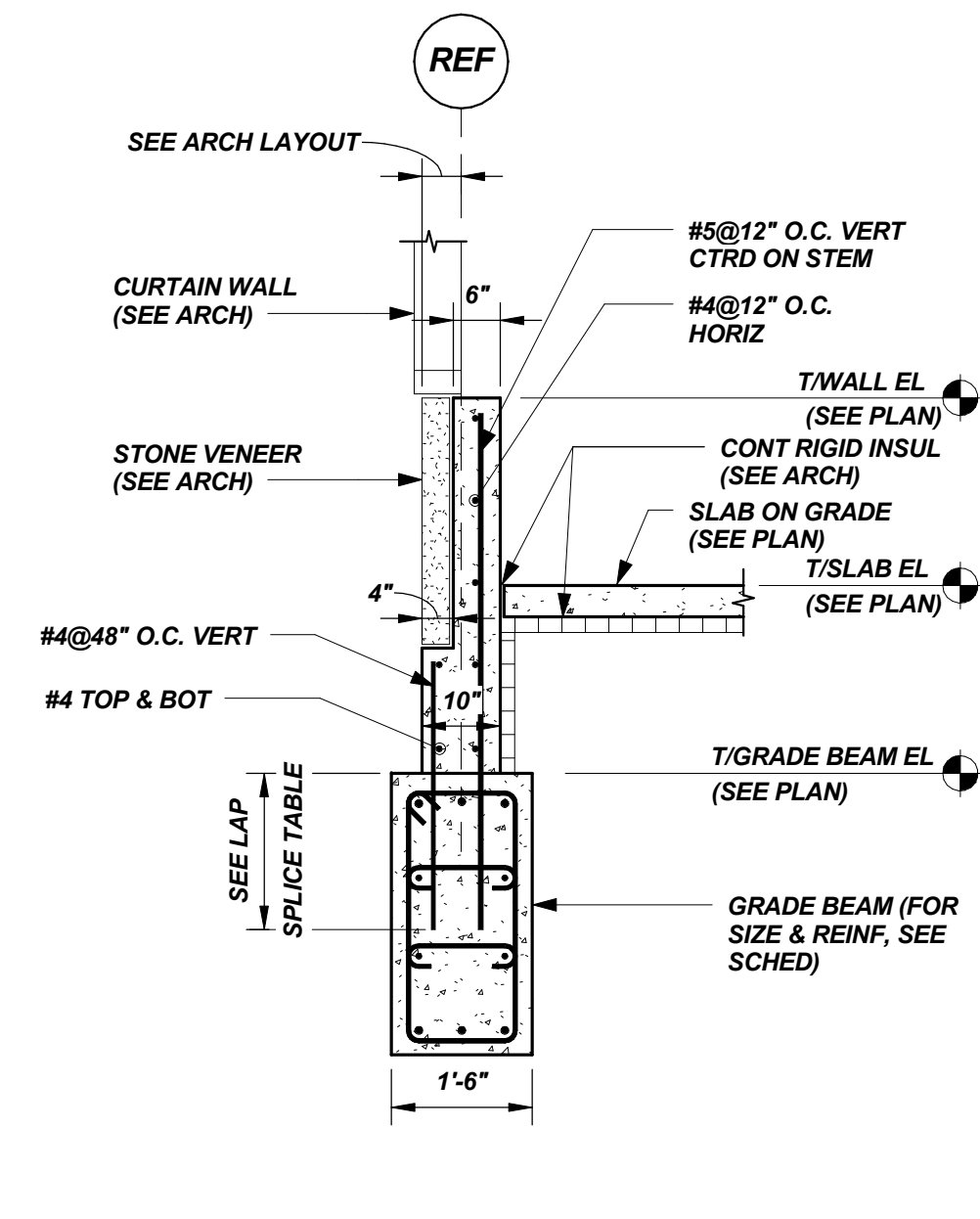


PIER DETAILS
1/2"=1'-0"

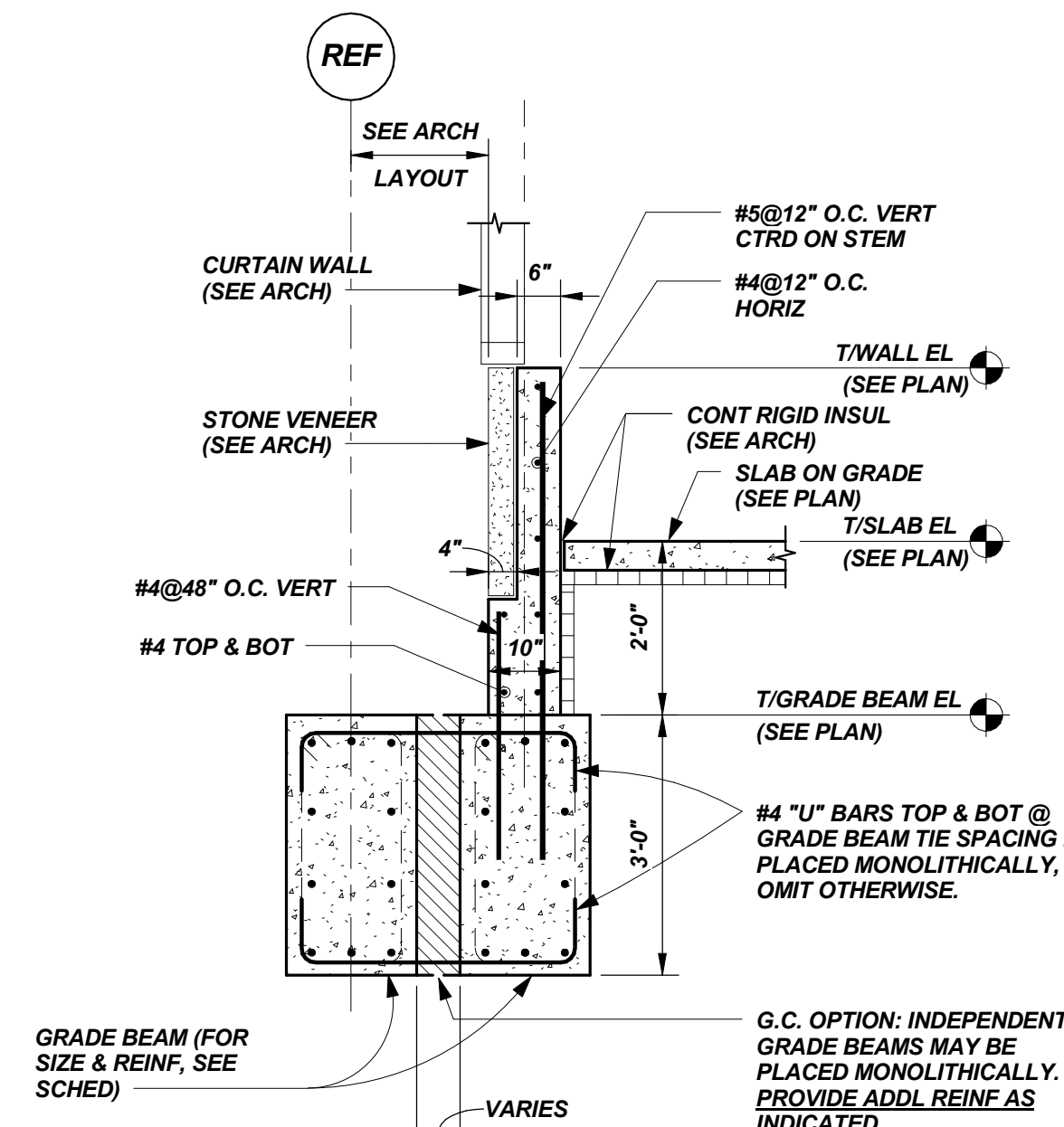
- NOTES:
- TYP PIER REINF SHALL BE #86 VERT W/MATCHING DOWELS INTO FTG. W/3 TIES (Ø36" AT TOP, BAL @12" O.C. U.N.O.
 - PROVIDE 1 1/2" MIN CLR TO ALL REINF FROM FACE OF CONC U.N.O. COORDINATE CORNER BAR LOC/STIRRUP SIZE W/DP BELOW.



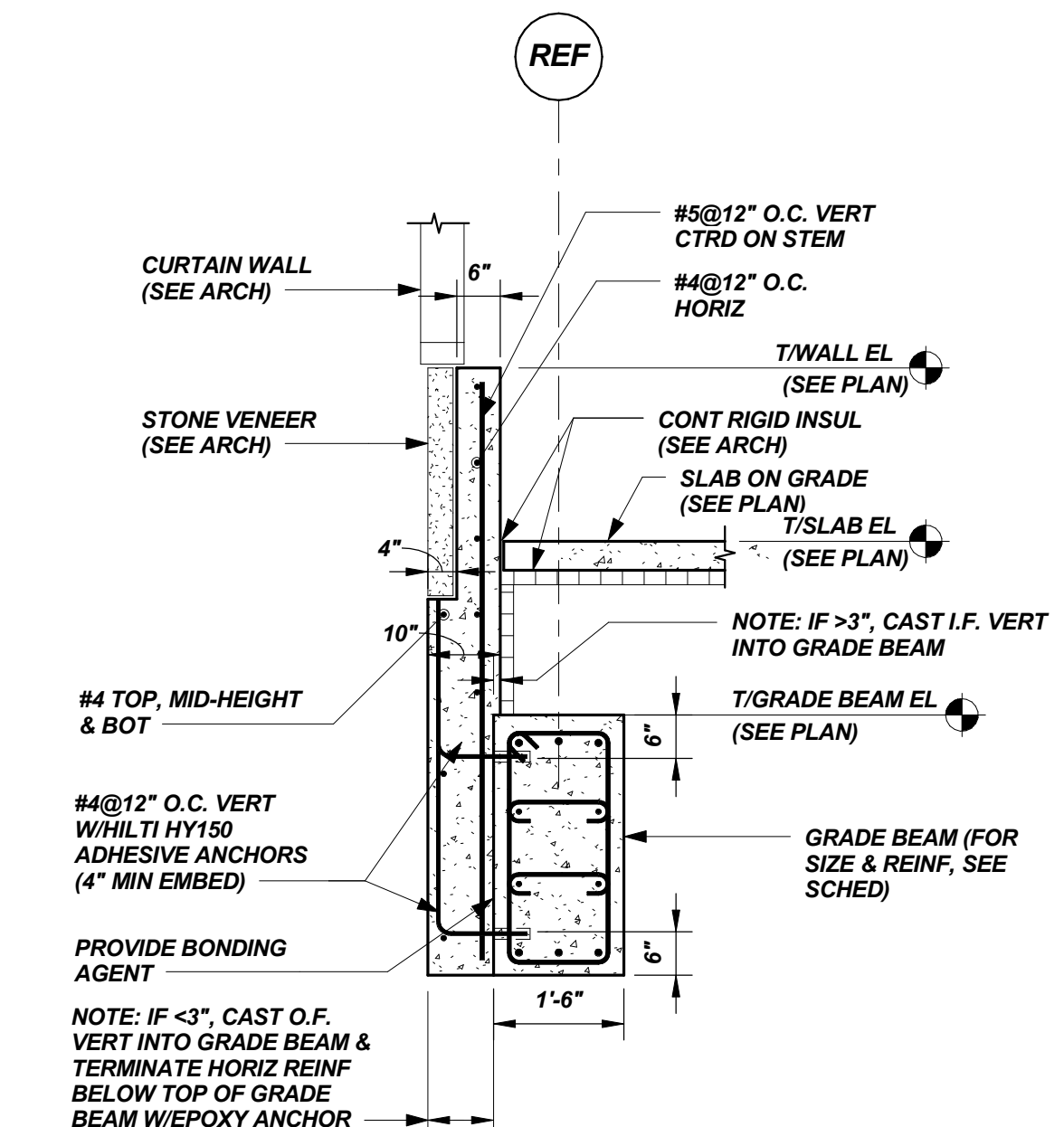
SECTION 6
1/2"=1'-0" S1.1



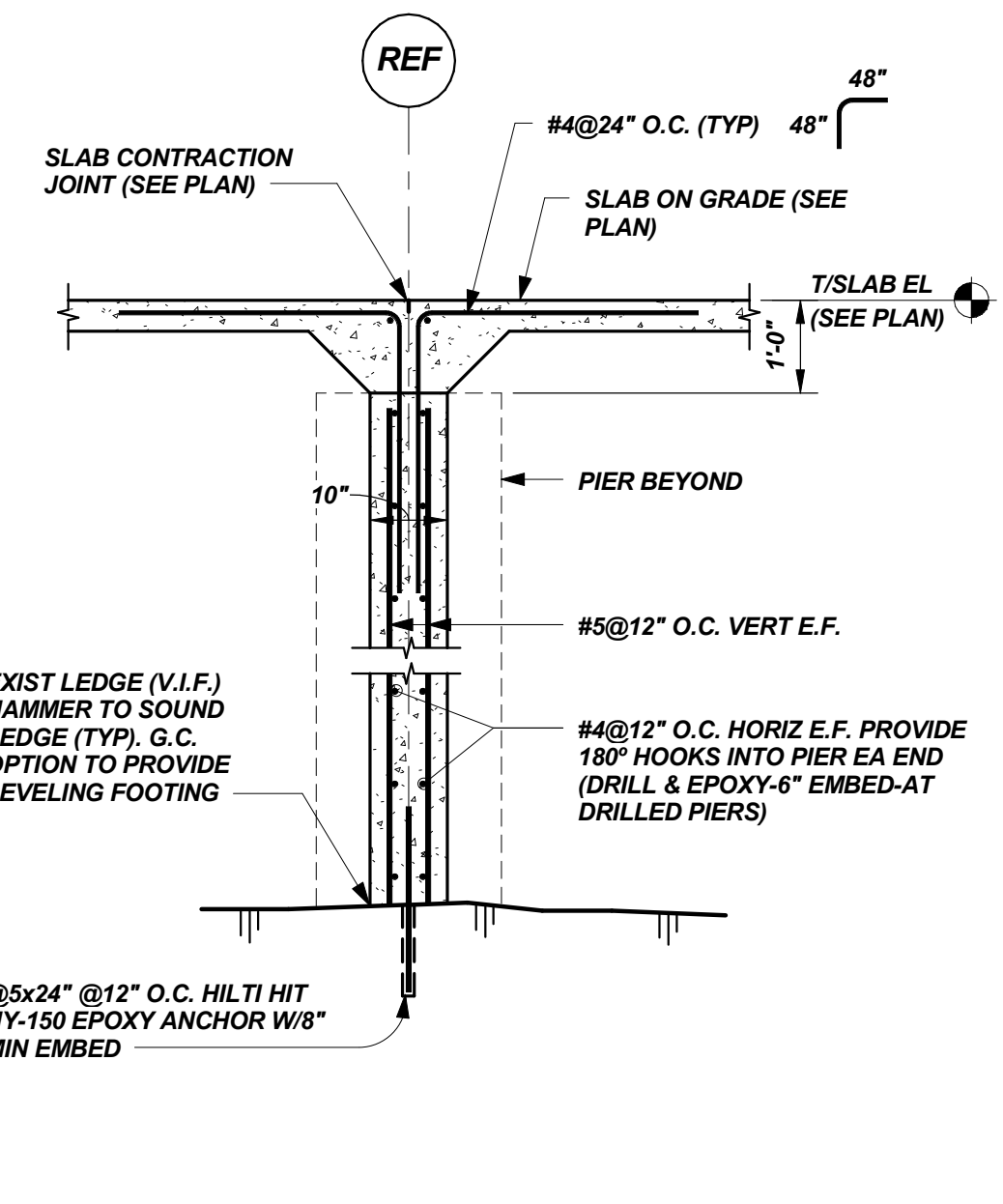
SECTION 1
1/2"=1'-0" S1.1



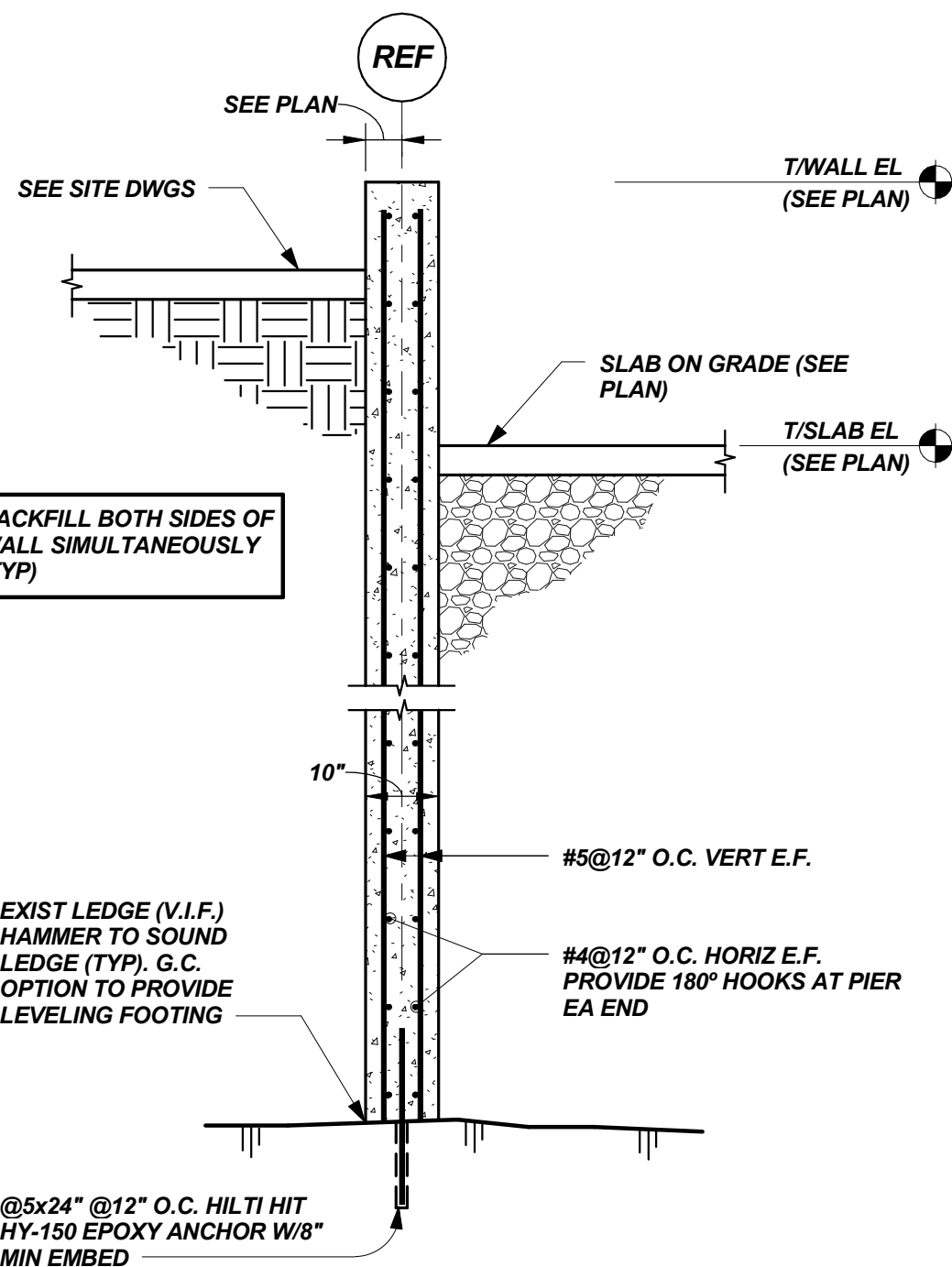
SECTION 2
1/2"=1'-0" S1.1



SECTION 3
1/2"=1'-0" S1.1



SECTION 4
1/2"=1'-0" S1.1



SECTION 5
1/2"=1'-0" S1.1

Mark	Date	Description
Δ	1/18/13	GENERAL REVISIONS

Project Status
ISSUED FOR CONSTRUCTION
11/16/12

Drawing Title
FOUNDATION SECTIONS AND DETAILS

Scale: As indicated
Drawing Number

S3.2