

Tools Needed for Installation

- Tape Measure
- Marker or Pencil
- Masonry Drill Bit
- Drill (Hammer drill recommended)
- Hammer
- Wrench 9/16"
- Level
- Washers (for leveling if necessary)

Recommended Base Materials:

Solid concrete is the best base material for installation. Ask your Dero Rack representative which anchor is appropriate for your application to ensure the proper anchors are shipped with your rack. Be sure nothing is underneath the base material that could be damaged by drilling.

Installation:

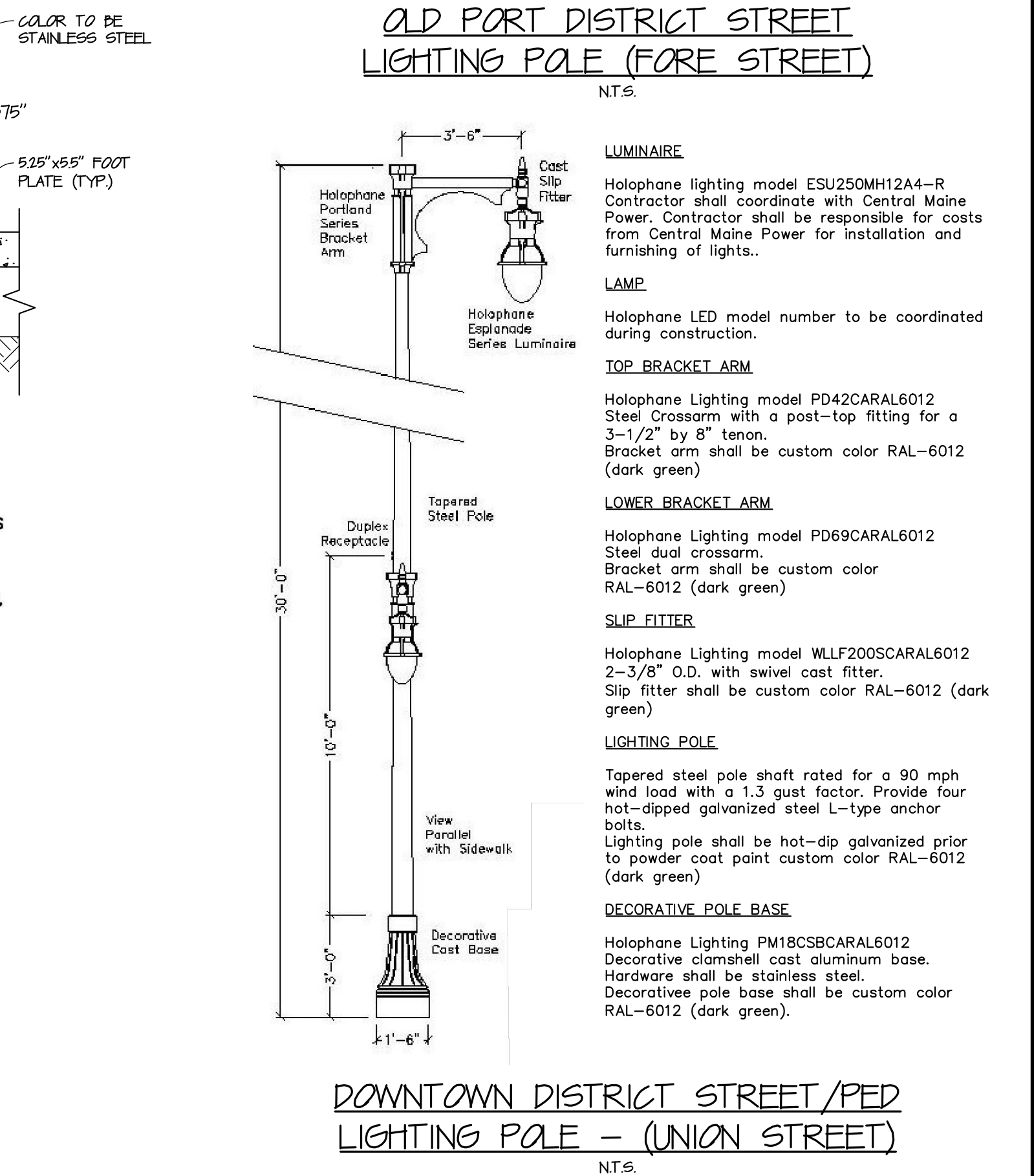
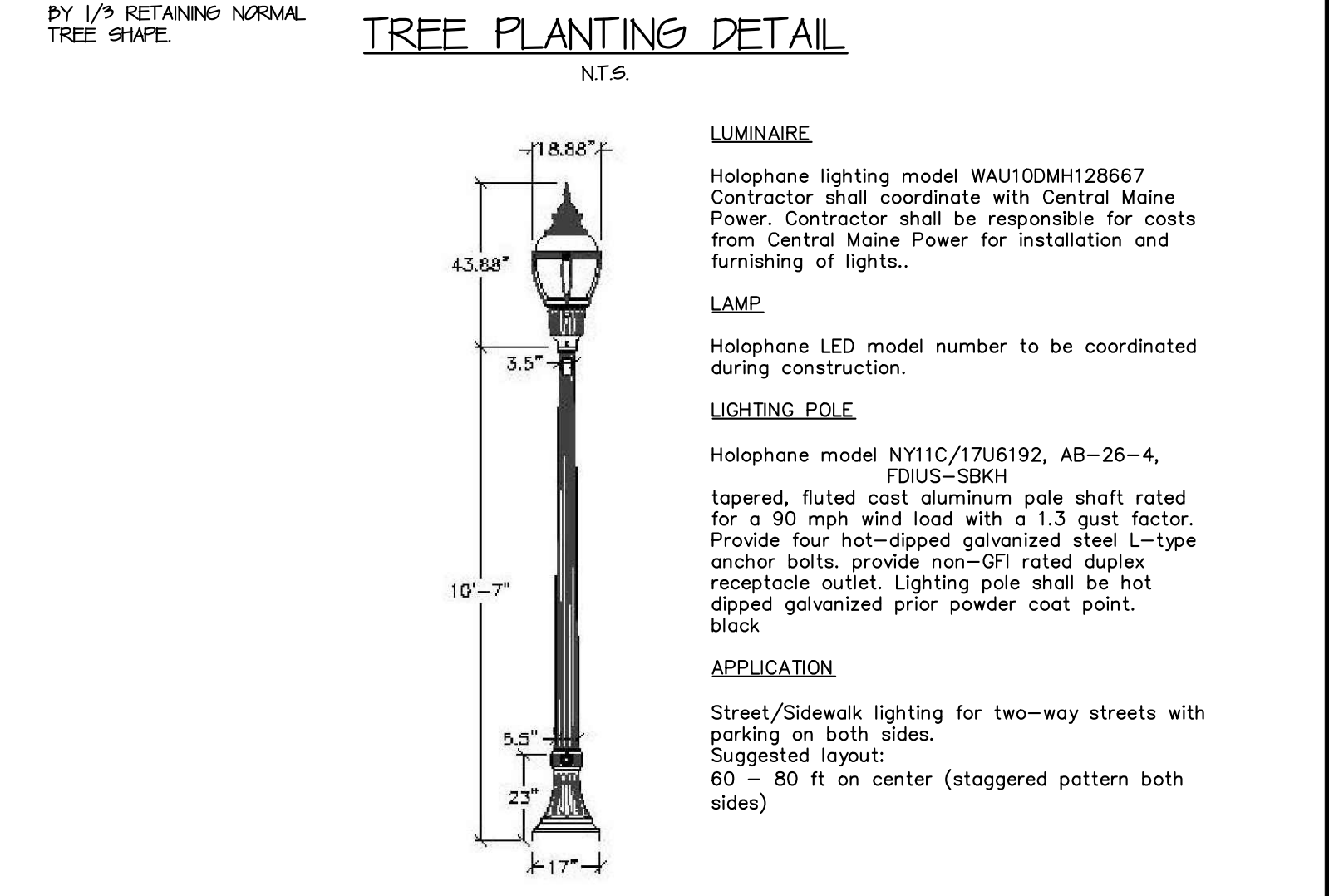
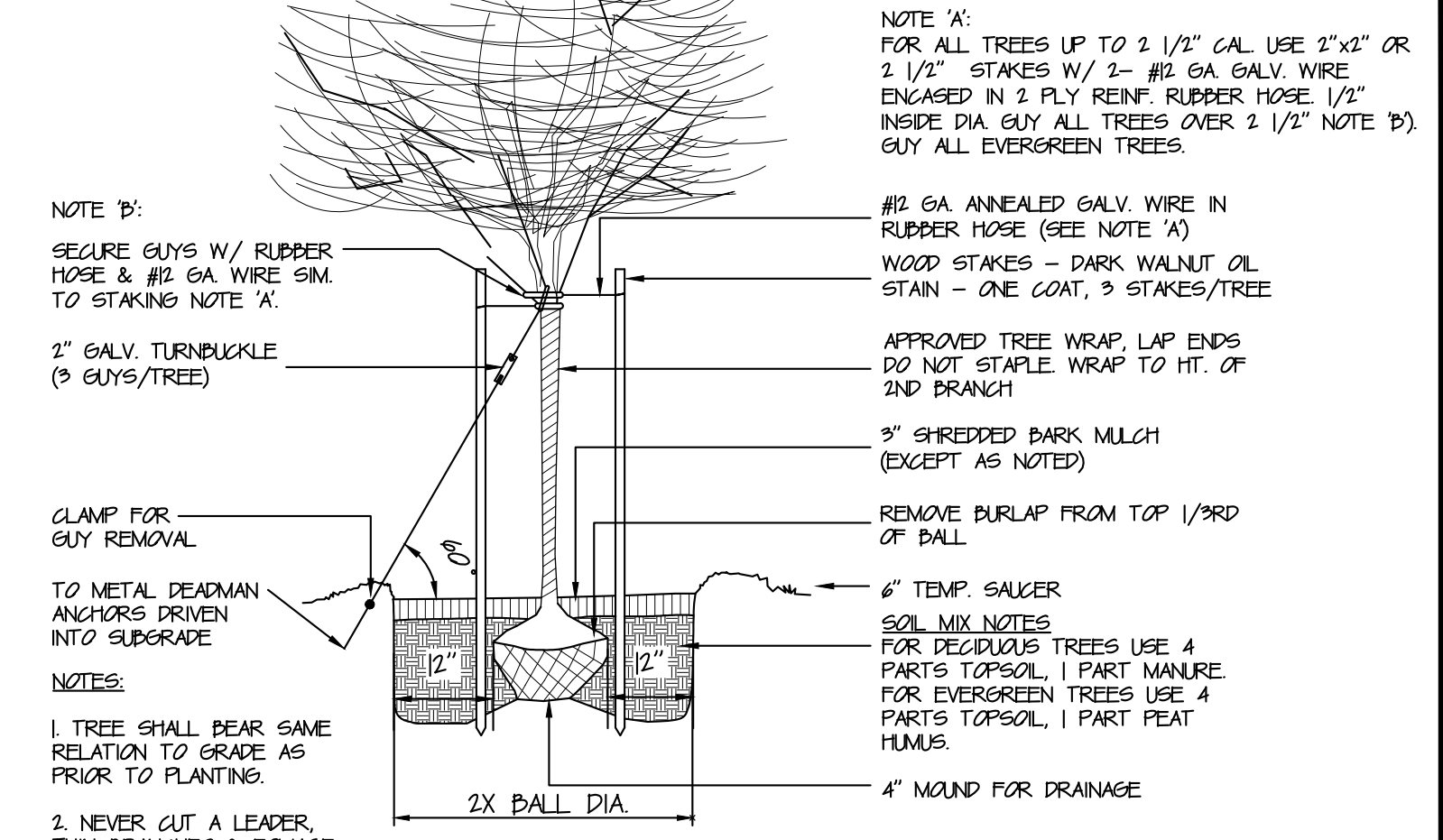
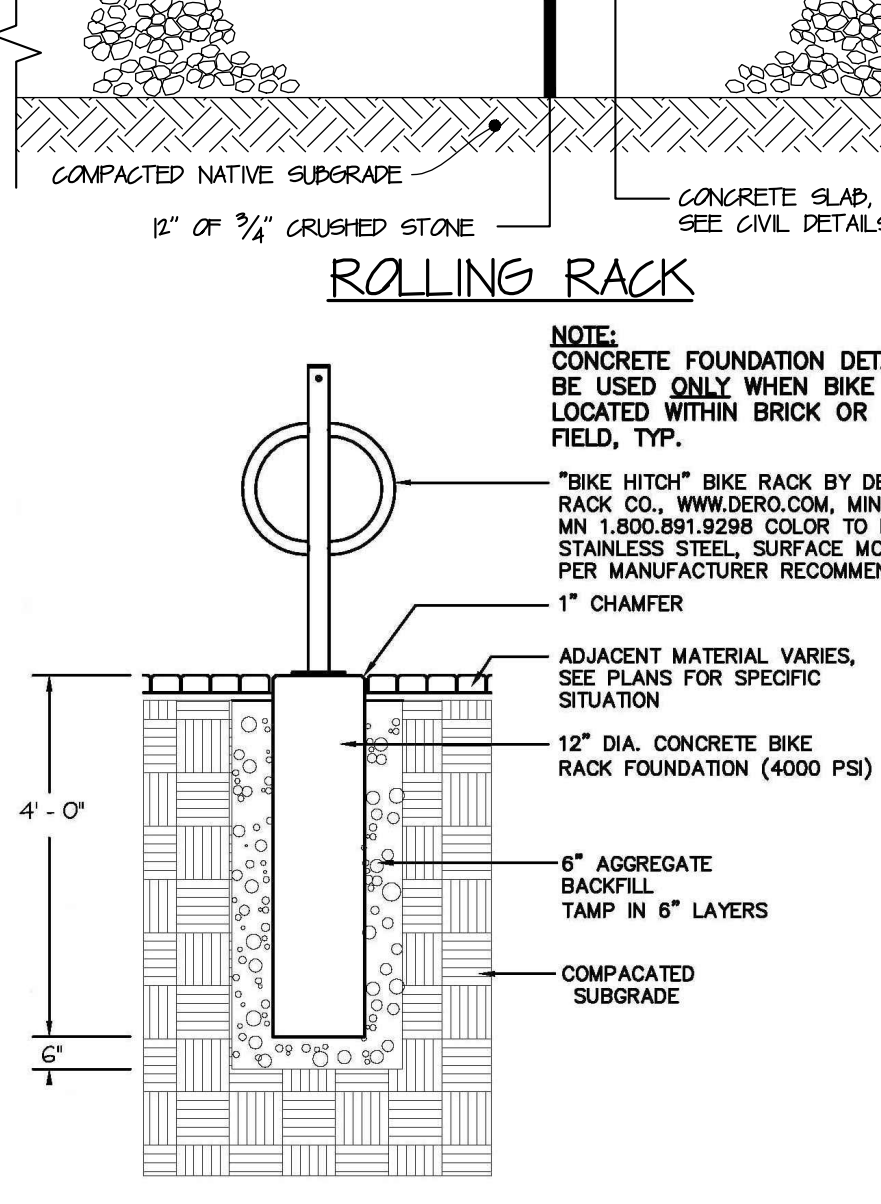
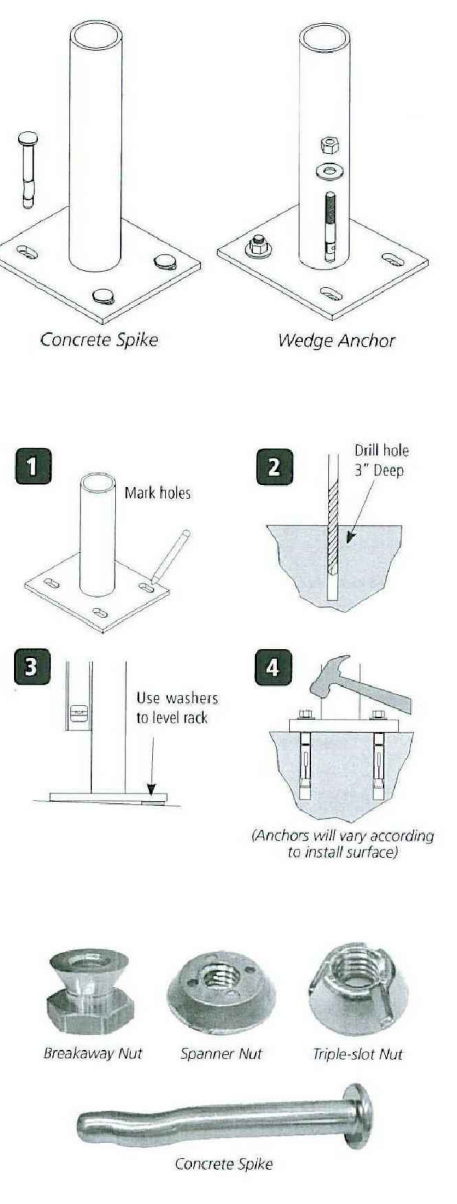
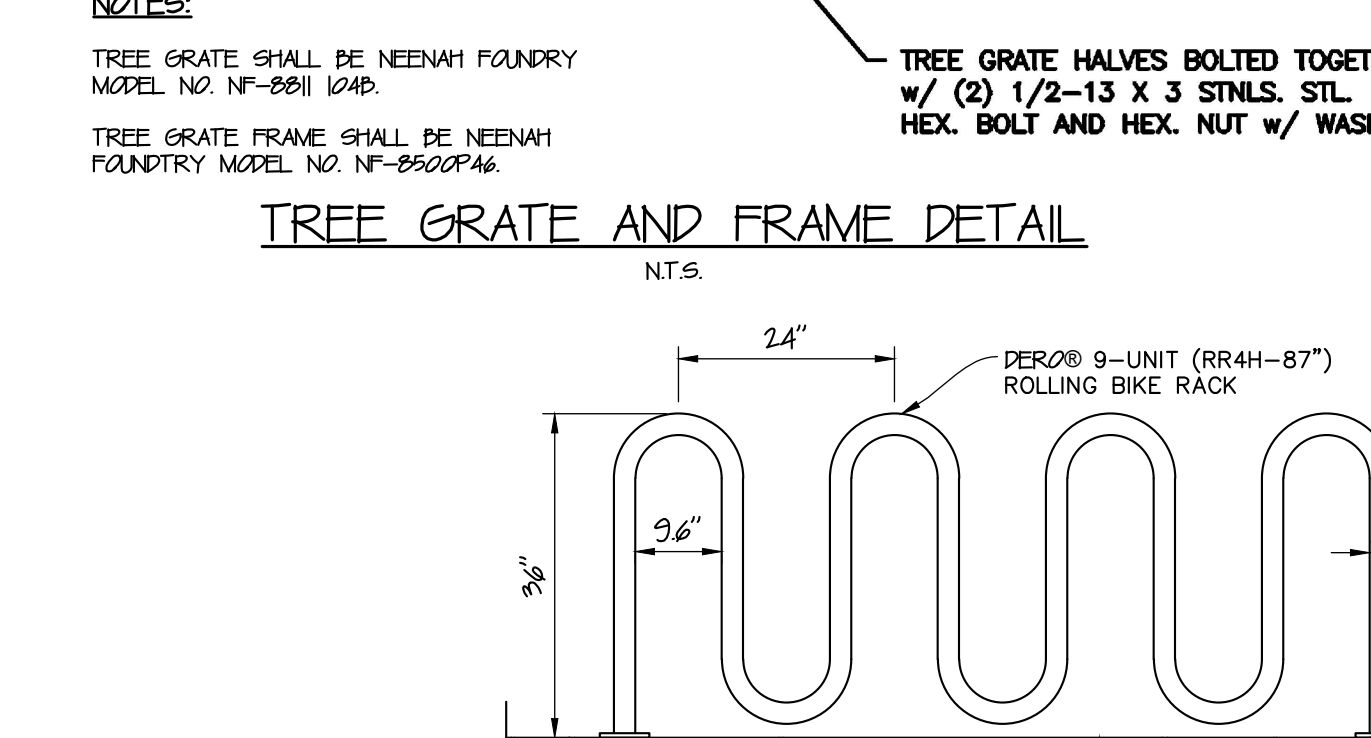
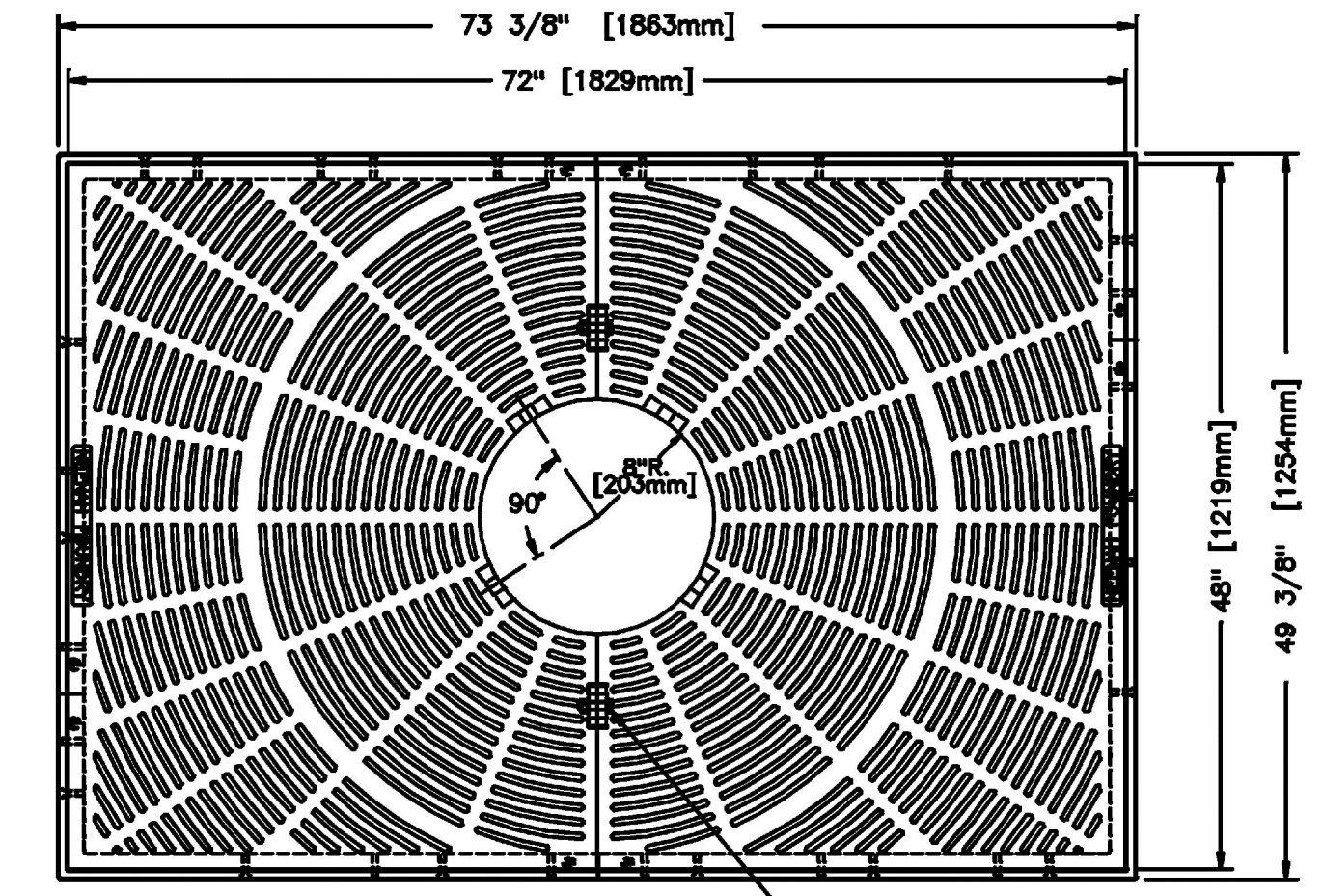
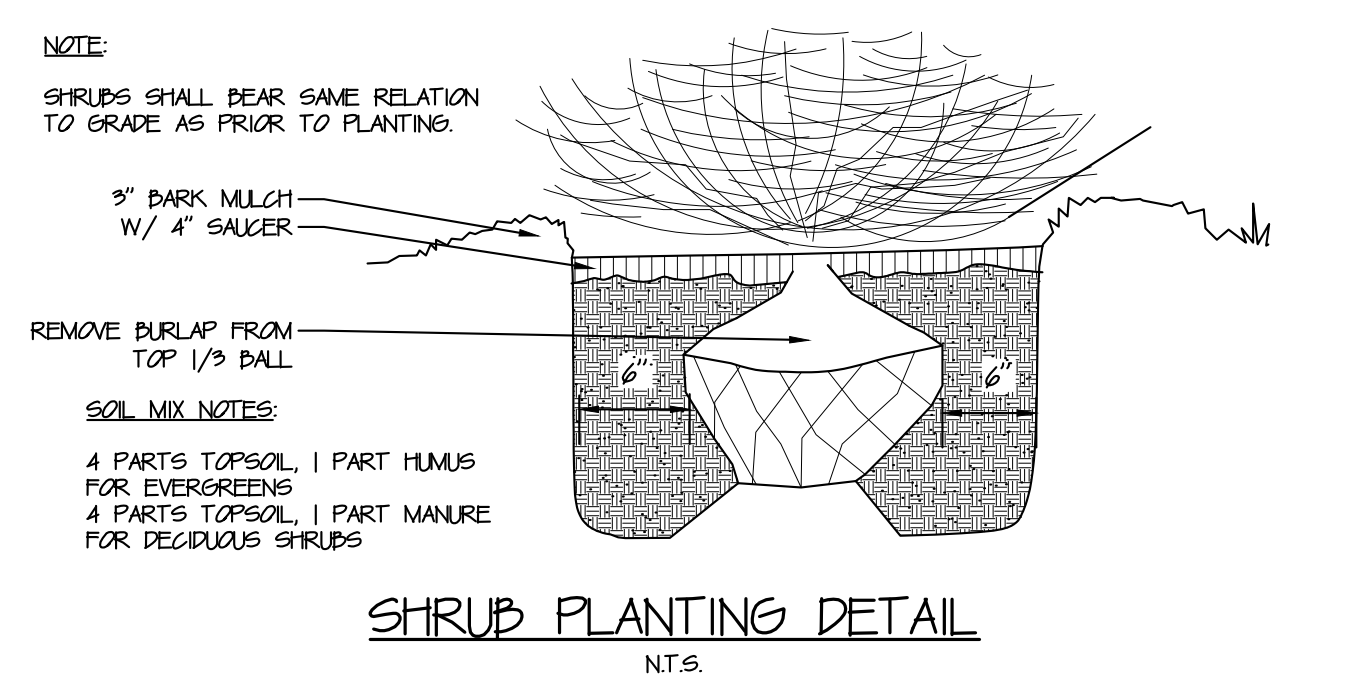
3/8" anchors are shipped with the rack. Place the rack in the desired location. Use a marker or pencil to outline the holes of the flange onto the base material. Drill the holes in accordance with the specifications shipped with the anchors. Make sure the holes are at least 6" away from any roads in the base material.

Tamper Resistant Fasteners

The concrete spike is a permanent anchor. The top of the wedge anchor can also be pounded sideways after installation so that it cannot be removed. Other tamper resistant fasteners are also available for purchase.

When using the special tamper resistant nuts, always set and first tighten the anchors. Once the rack is installed, replace two nuts from the bracket (opposite sides from each other) with the tamper resistant fastener. DO NOT OVERTIGHTEN the tamper resistant nut.

If you have any questions about installation or other features of the Bike Rack, please call our toll free at 1-800-298-4915



Anthony Mieruch Landscape Architect
94 Commercial Street Portland, Maine 04101 207.744.4642

THIS DOCUMENT IS THE PROPERTY OF ANTHONY MIERUCH LANDSCAPE ARCHITECT. REPRODUCTION OR MODIFICATION WITHOUT WRITTEN PERMISSION IS PROHIBITED.

REGISTERED LANDSCAPE ARCHITECT
ANTHONY MIERUCH
10/24/2012
10/19/2012
DATE
DESCRIPTION
CHECKED BY: AM
DESIGNED BY: AM
DRAWN BY: JBC
2259801-000A.DWG

REV	DESCRIPTION	DATE
3	ISSUED FOR CONSTRUCTION	11/16/2012
2	RESPONSE TO COMMENTS	10/24/2012
1	RESPONSE TO COMMENTS	10/19/2012

LANDSCAPE DETAILS

COW PLAZA HOTEL, LLC
100 COMMERCIAL STREET, SUITE 306
PORTLAND, MAINE, C/O TIM SOLEY

HYATT PLACE
PORTLAND - OLD PORT
433 FORE STREET
PORTLAND, ME

JOB NO.: 2259801.01
DATE: NOVEMBER 2012
SCALE: AS NOTED
SHEET: 12 OF 12

L-101