

### IMPORTANT SAFEGUARDS

When using electrical equipment, basic safety precautions should always be followed including the following:

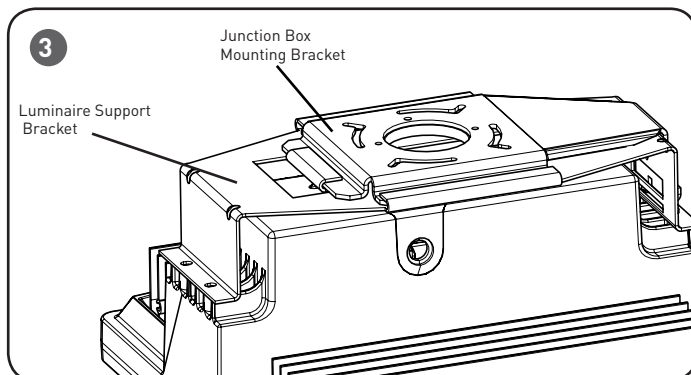
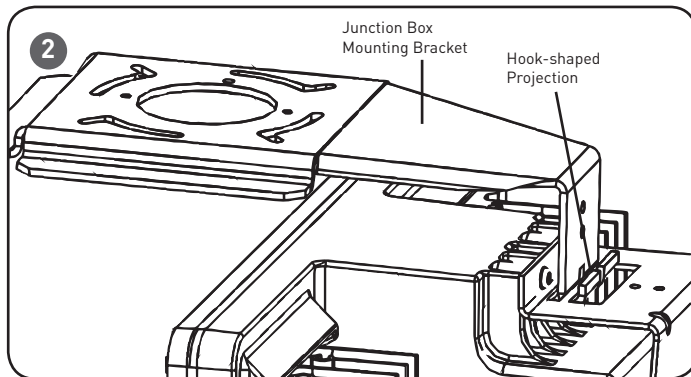
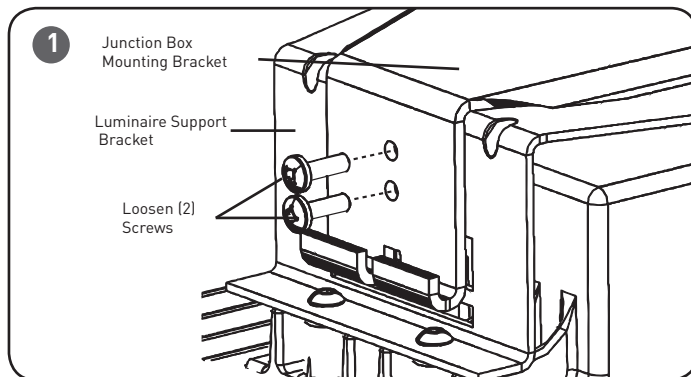
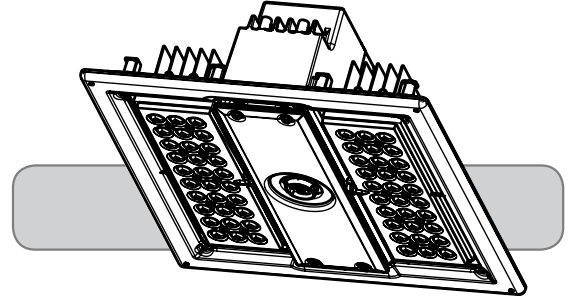
### READ AND FOLLOW ALL SAFETY INSTRUCTIONS

- 1. DANGER**- Risk of shock- Disconnect power before installation.  
*DANGER – Risque de choc – Couper l'alimentation avant l'installation.*
- This luminaire must be installed in accordance with the NEC or your local electrical code. If you are not familiar with these codes and requirements, consult a qualified electrician.  
*Ce produit doit être installé conformément à NEC ou votre code électrique local. Si vous n'êtes pas familier avec ces codes et ces exigences, veuillez contacter un électricien qualifié.*
- When handling, hold luminaire on sides to prevent damage to the top screen or LED's.
- Take care to keep the LED lenses clean during installation.

### SAVE THESE INSTRUCTIONS FOR FUTURE REFERENCE

#### TO INSTALL:

### INSTALLATION INSTRUCTIONS INSTRUCTIONS D'INSTALLATION



#### DIRECT MOUNTING

##### STEP 1:

Remove the junction box mounting bracket from the luminaire by loosening (2) screws and sliding it out of the channels of the luminaire support bracket. See **Figure 1 and 3.**

##### STEP 2:

Attach the junction box mounting bracket to the customer supplied junction box using the customer supplied screws.

##### STEP 3:

Temporarily hang the luminaire from the hook-shaped projection on the junction box mounting bracket. See **Figure 2.**

##### STEP 4:

Make wiring connections per the **Electrical Connections** section.

##### STEP 5:

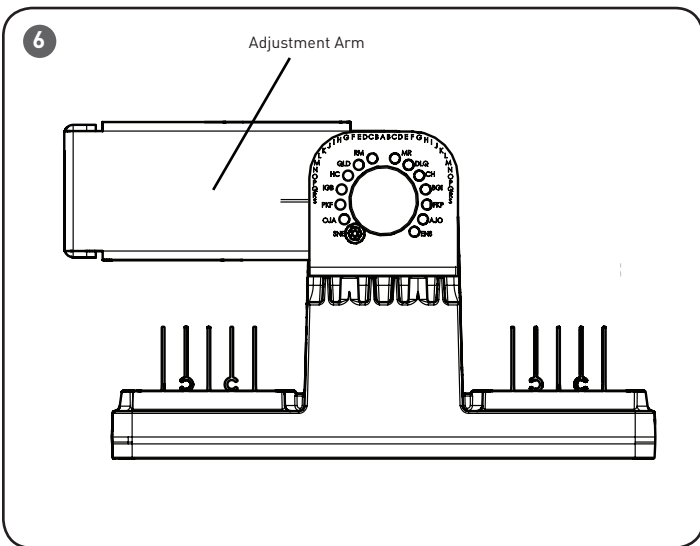
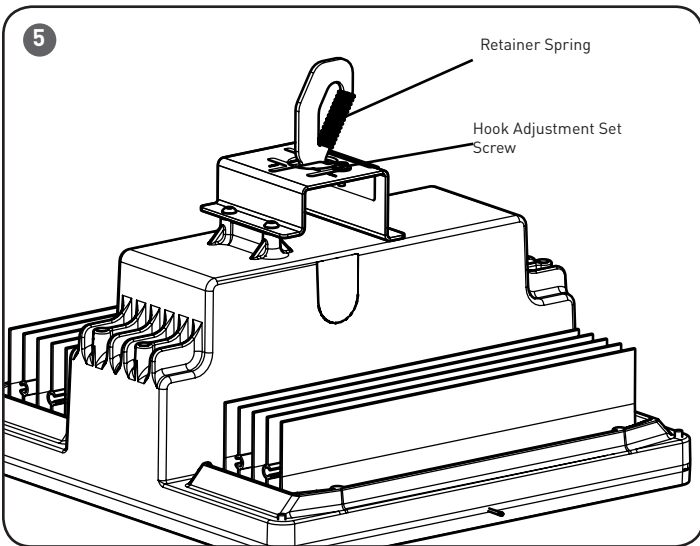
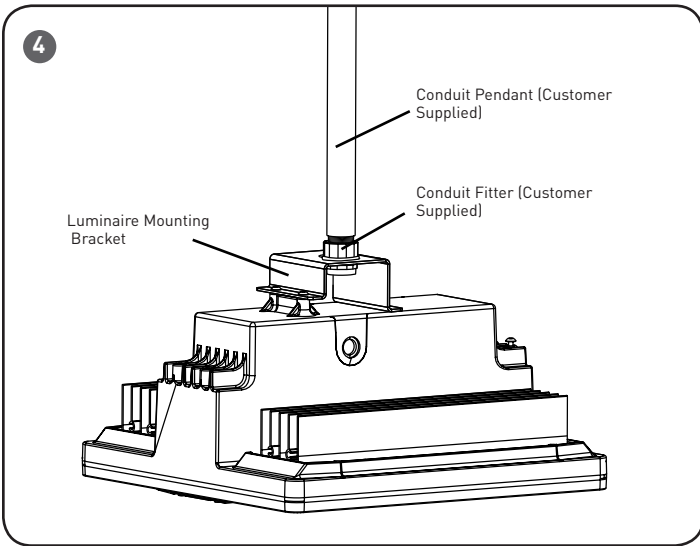
Secure the cord plate/gasket assembly to the junction box mounting bracket using (2) supplied screws.

##### STEP 6:

Remove the luminaire from the junction box mounting bracket and slide the channels on the luminaire support bracket onto the flanges of the junction box mounting bracket. See **Figure 3.**

##### STEP 7:

Secure the luminaire to the bracket using the (2) screws that were loosened in Step 1.



## PENDANT MOUNT

**NOTE:** Ensure that the customer supplied pendant is capable of supporting the weight of the luminaire.

### STEP 1:

Size the pendant and locate the junction box accordingly. Install a suitable Listed cord strain relief bushing in the junction box, and feed the luminaire's supply cord through it. Tie an overhand knot in the cord inside the junction box.

### STEP 2:

Make wiring connections to the cord and supply wiring per the **Electrical Connections** section.

### STEP 3:

Attach the junction box cover/pendant assembly to the junction box using customer supplied screws.

### STEP 4:

Secure the pendant to the luminaire mounting bracket using a customer supplied suitable conduit fitting. See **Figure 4**.

## HOOK AND CORD MOUNTING

### STEP 1:

Push down on retainer spring until top of spring is free of luminaire hook. See **Figure 5**.

### STEP 2:

Slide hook into securely mounted customer supplied eye hanger and return retainer spring to original position.

**NOTE:** The luminaire should already be factory set for correct balance. However, should you need to, the luminaire may be balanced by loosening the hook adjustment set screw on the top of the housing and sliding the hook as necessary for correct balance. Tighten hook set screw when finished. See **Figure 5**.

### STEP 3:

Install a suitable Listed cord strain relief bushing in the junction box, and feed the fixture's supply cord through it. Tie an overhand knot in the cord inside the junction box.

### STEP 4:

Make wiring connections to the cord and supply wiring per the **Electrical Connections** section.

## ADJUSTABLE MOUNT

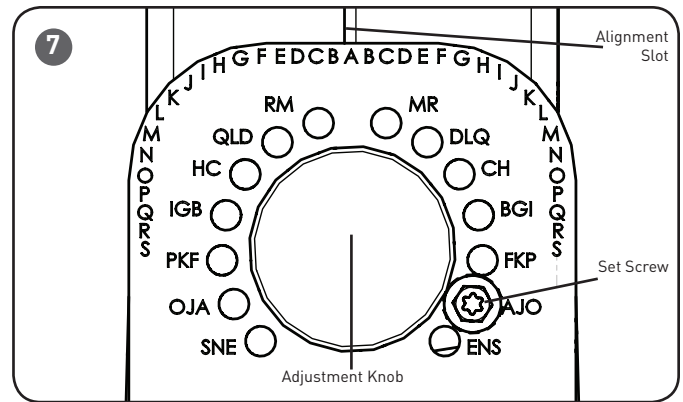
### STEP 1:

Secure the top of the Adjustable Arm to mounting surface with screws (not supplied).

### STEP 2:

Make wiring connections per the **Electrical Connections** section.

DEGREE	ADJUSTABLE FIXTURE POSITION (FIGURE 7)
90	A
85	B
80	C
75	D
70	E
65	F
60	G
55	H
50	I
45	J
40	K
35	L
30	M
25	N
20	O
15	P
10	Q
5	R
0	S



### ADJUSTING HEIGHT OF LUMINAIRE

If desired, the position of the luminaire can be adjusted as follows:

**STEP 1:**

Remove set screw. See **Figure 7**.

**STEP 2:**

Loosen adjustable knob. See **Figure 7**.

**STEP 3:**

Rotate luminaire to desired position. Use the alignment slot to align with a letter in the table, above, which will correspond to the fixture degree (figure 6 is shown at 0 degrees)

**STEP 4:**

Tighten Adjustment Knob to hold luminaire in place.

**STEP 5:**

Insert Set Screw into hole that corresponds with the letter in table on the left.

### ELECTRICAL CONNECTIONS- PHASE TO NEUTRAL WIRING - 120/277V

- Connect the black luminaire lead to the line supply lead
- Connect the white luminaire lead to the neutral supply lead
- Connect the green or green/yellow ground lead to the supply ground lead

### ELECTRICAL CONNECTIONS- PHASE TO PHASE WIRING - 208/240/480V

- Connect L1 (Hot) supply lead to the black lead.
- Connect L2 (Hot) supply lead to the white lead
- Connect the green or green/yellow ground lead to the supply ground lead

