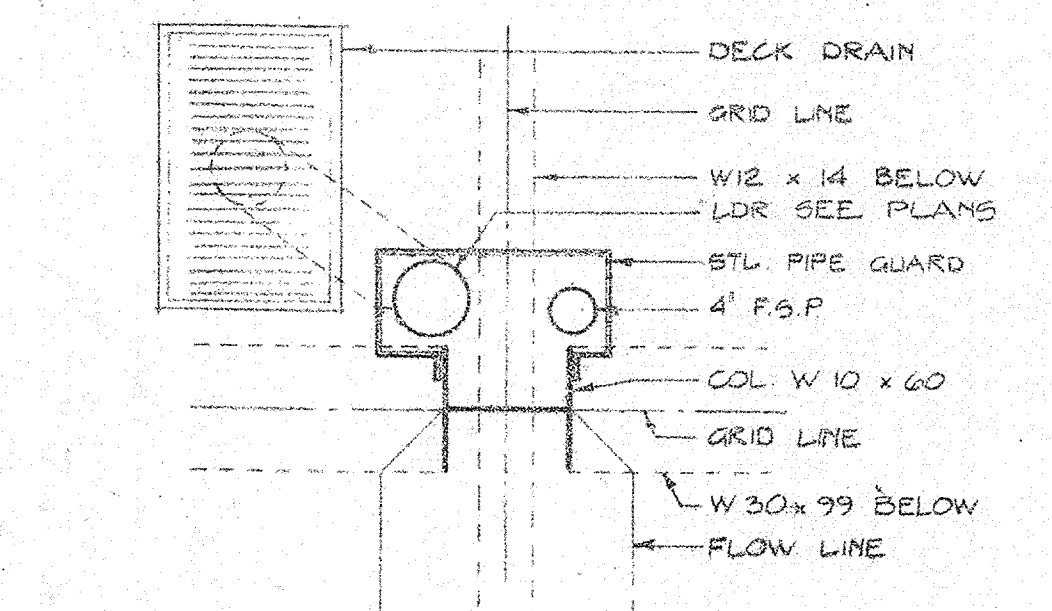
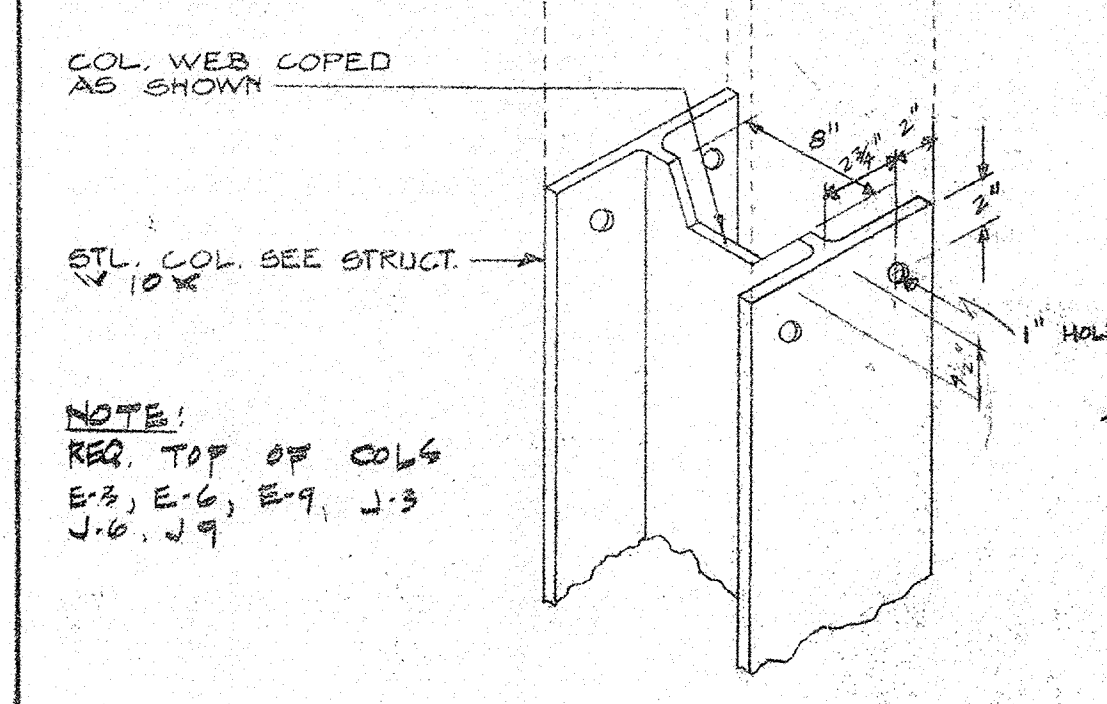
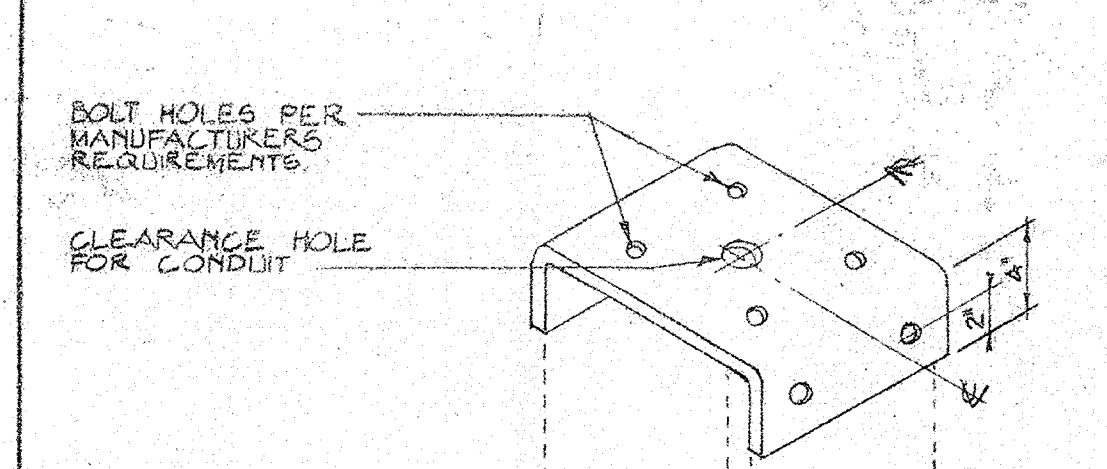


ELEVATION SCALE: 3/4" = 1'-0"

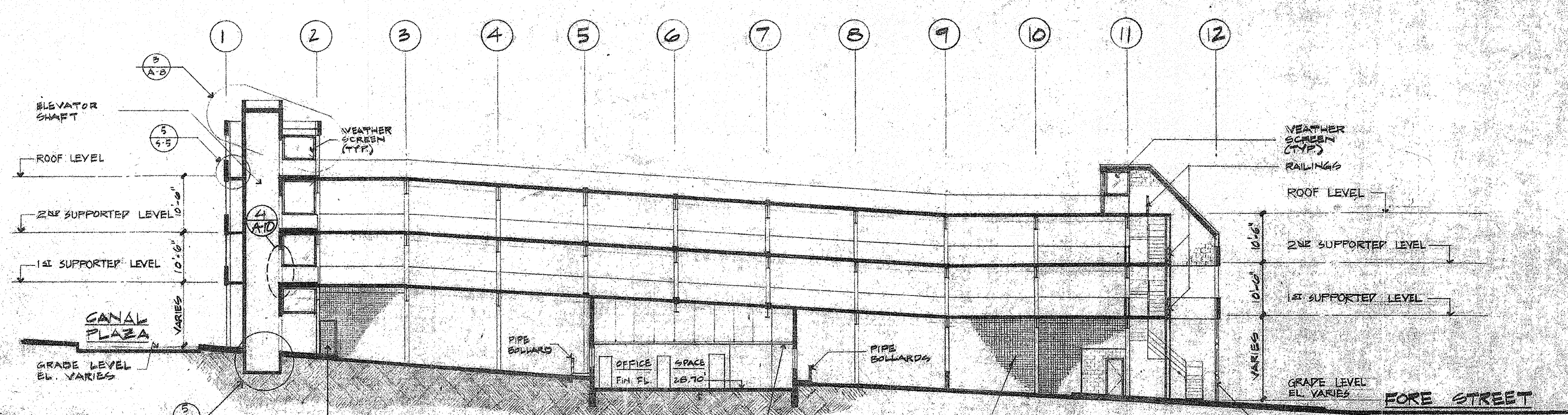


PLAN SCALE: 3/4" = 1'-0"

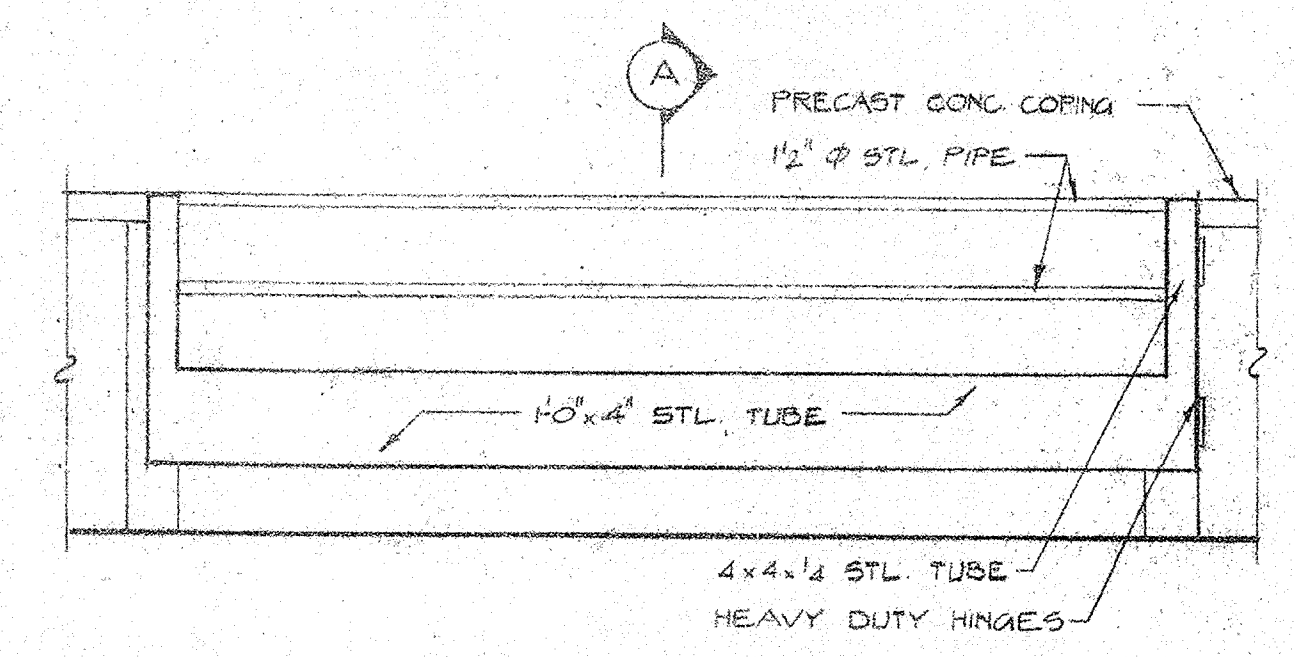
DECK DRAIN DETAILS ①



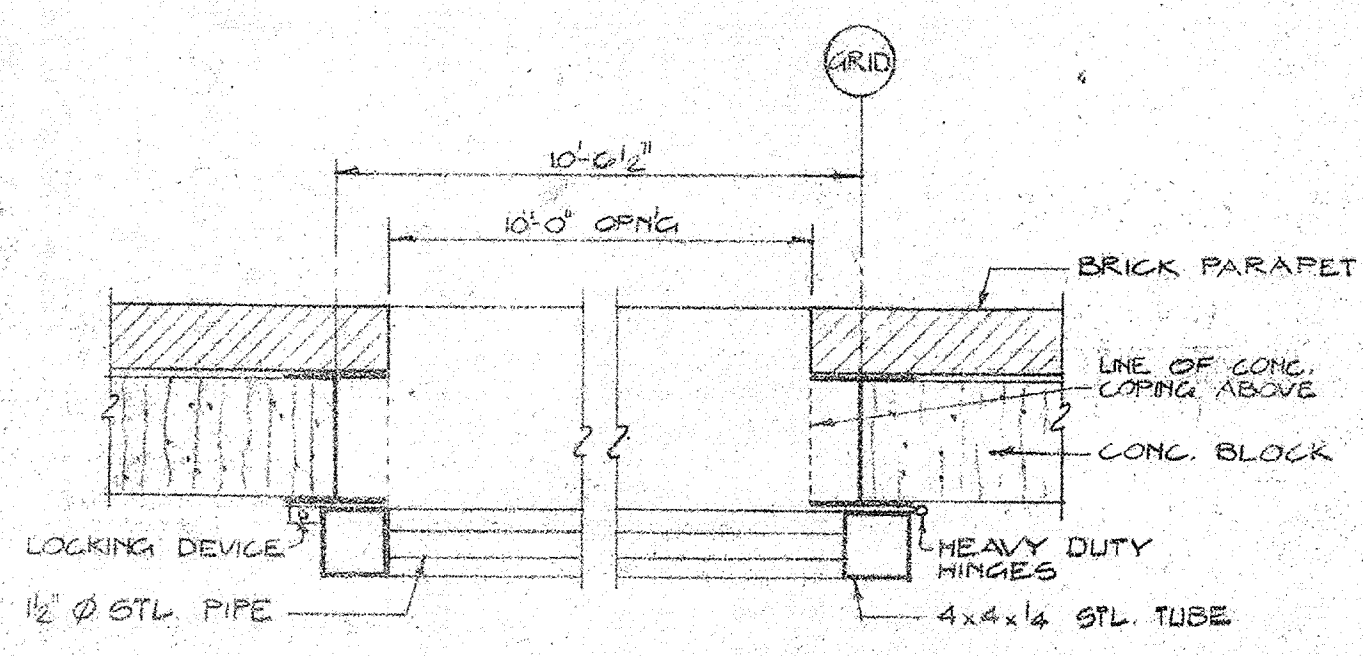
LIGHTPOLE CONNECTION ②



SECTION B-B SCALE: 1/16" = 1'-0"

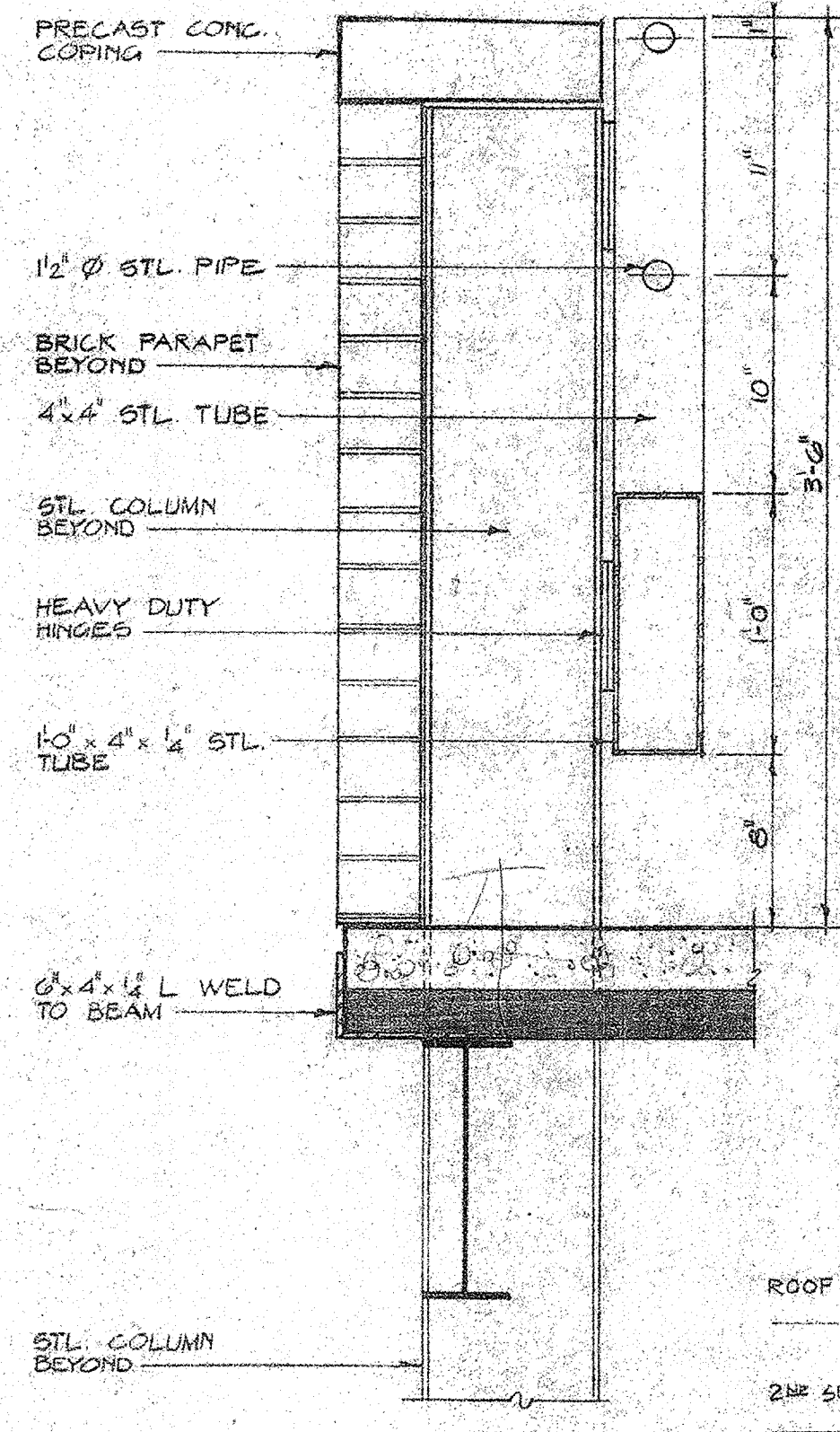


ELEVATION SCALE: 1/2" = 1'-0"

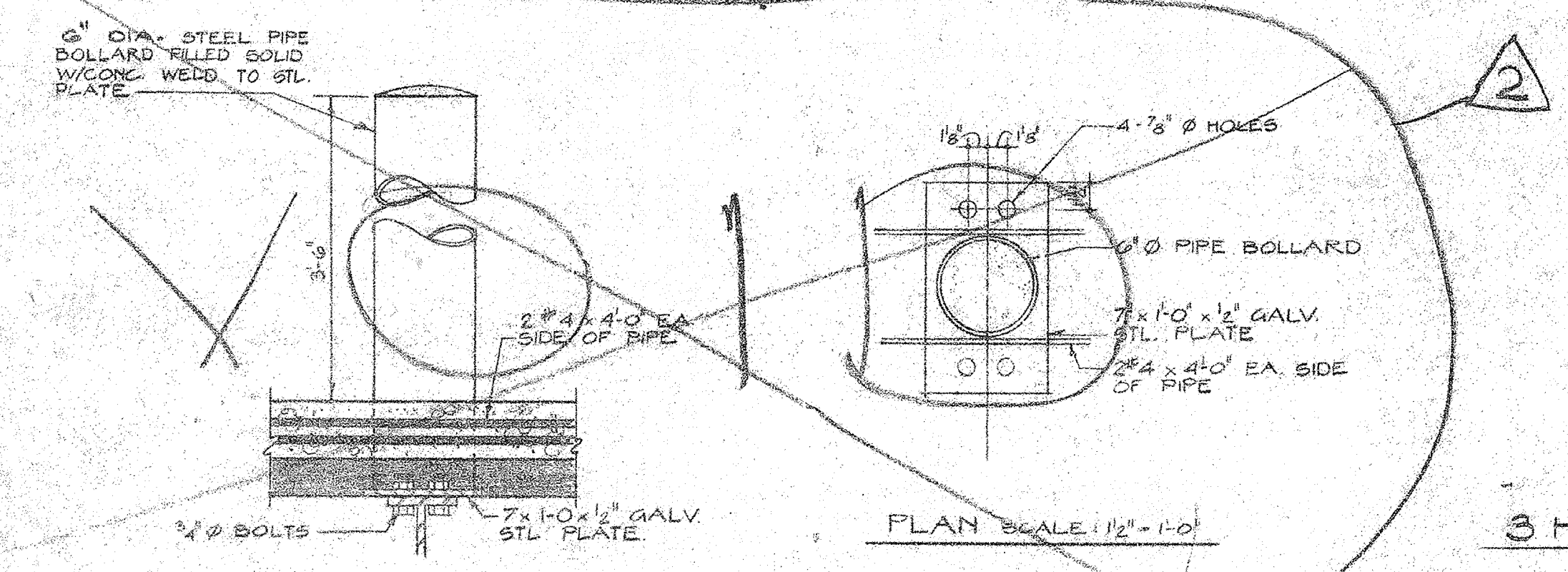


PLAN SCALE: 1" = 1'-0"

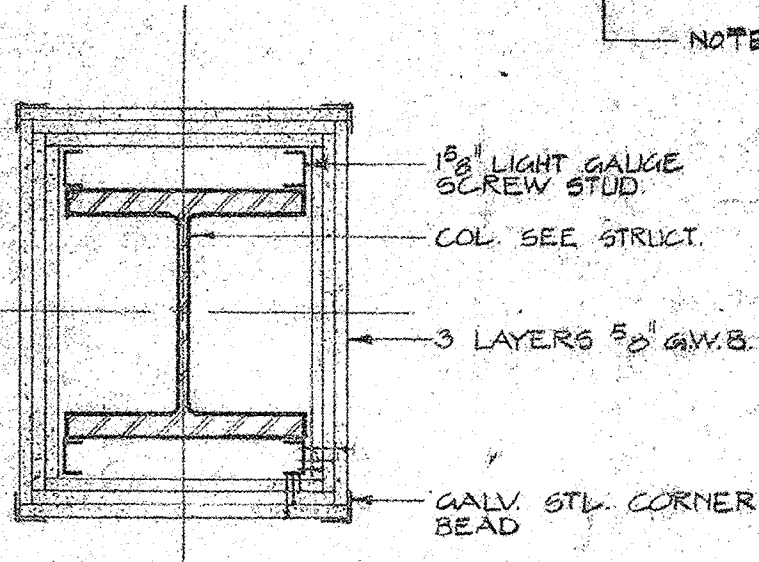
SNOW GATE DETAILS ③



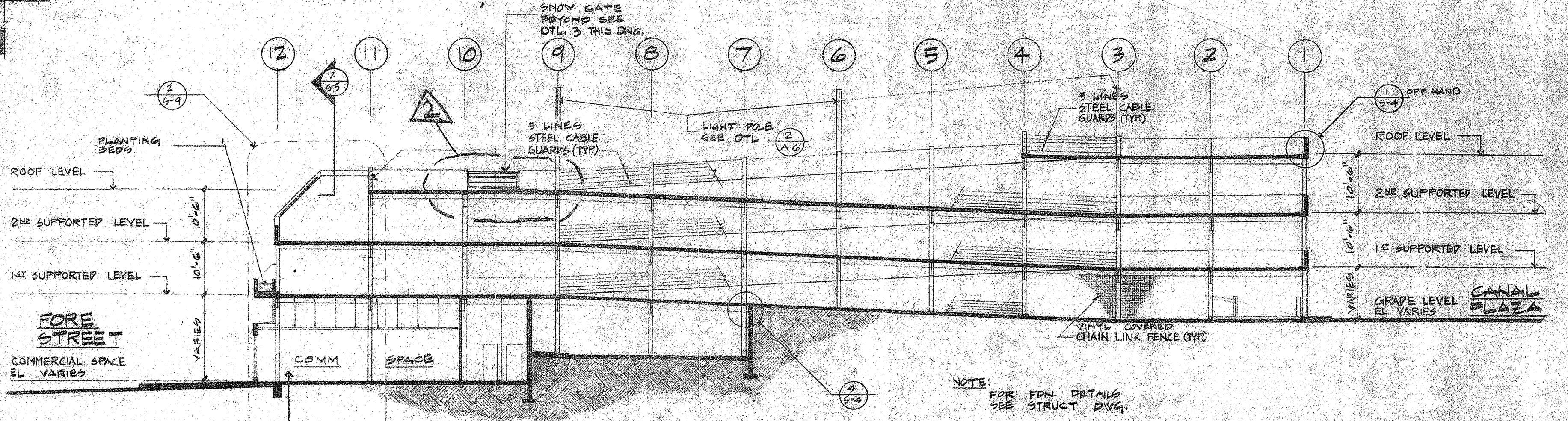
SECTION A-A SCALE: 1/2" = 1'-0"



PIPE BOLLARD DETAIL SCALE: 1/2" = 1'-0"



3 HR. FIRE RATED COLUMN SCALE: 1/2" = 1'-0"



SECTION A-A SCALE: 1/16" = 1'-0"

MAY 15 1980