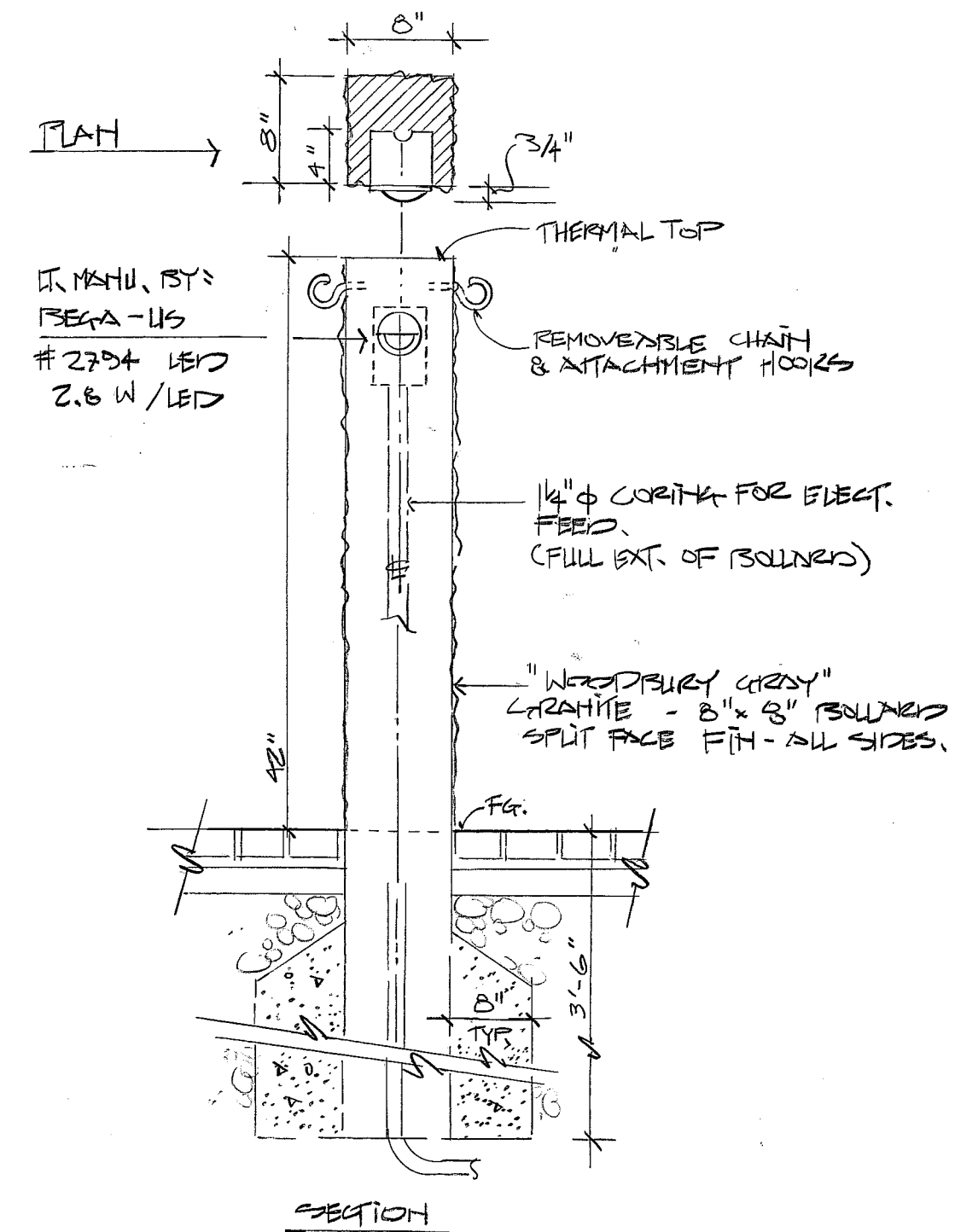
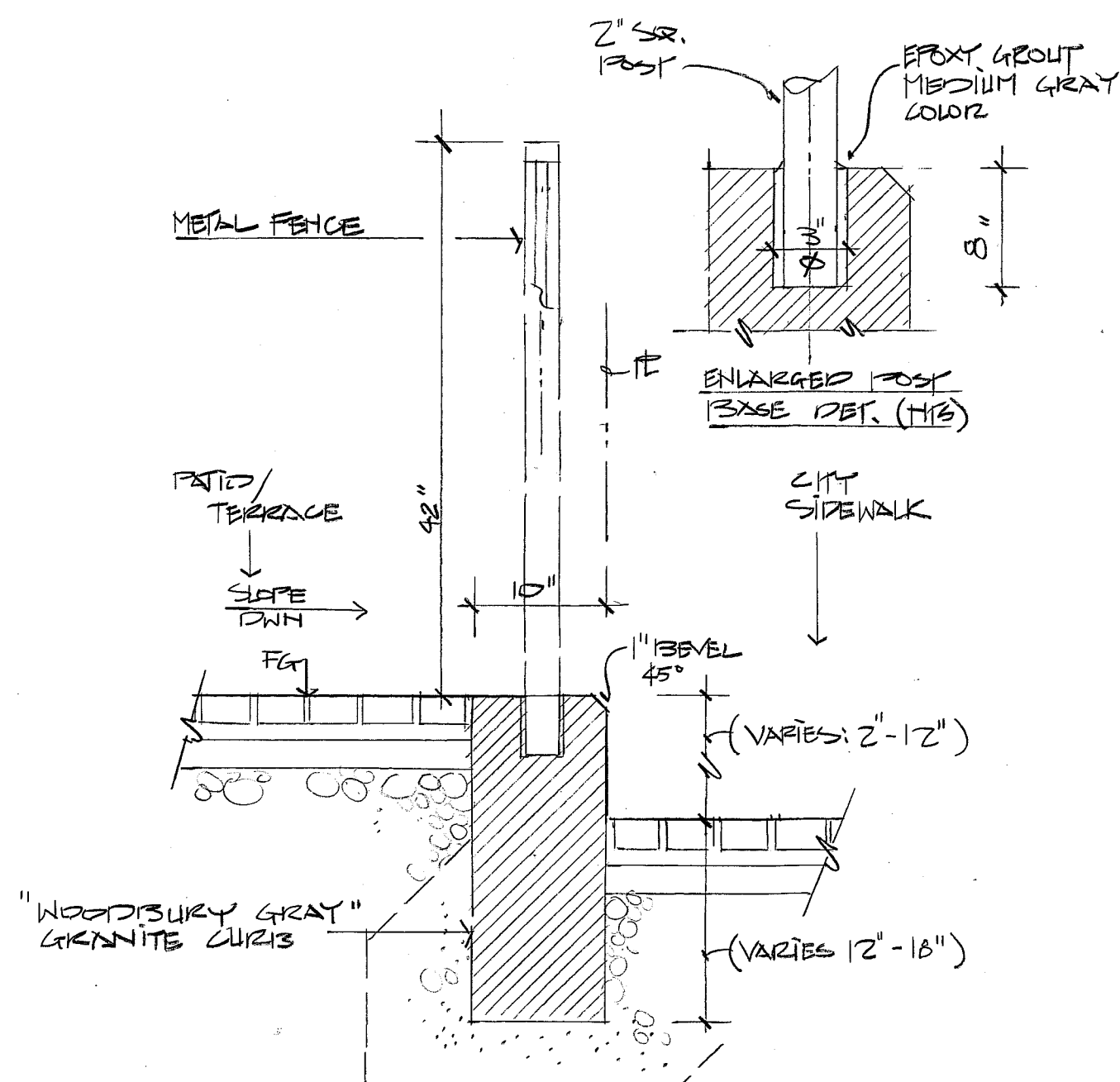


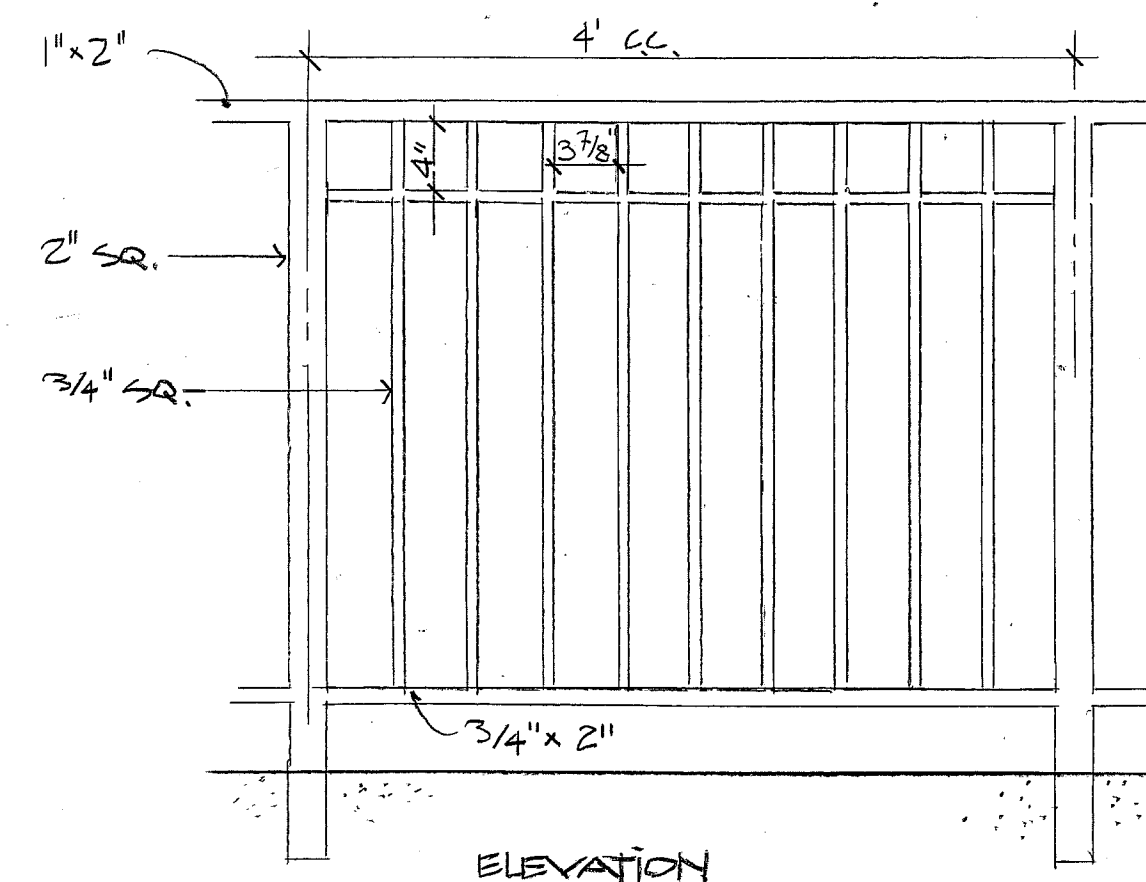
**SITE PLAN**  
SCALE: 3/16" = 1'-0"



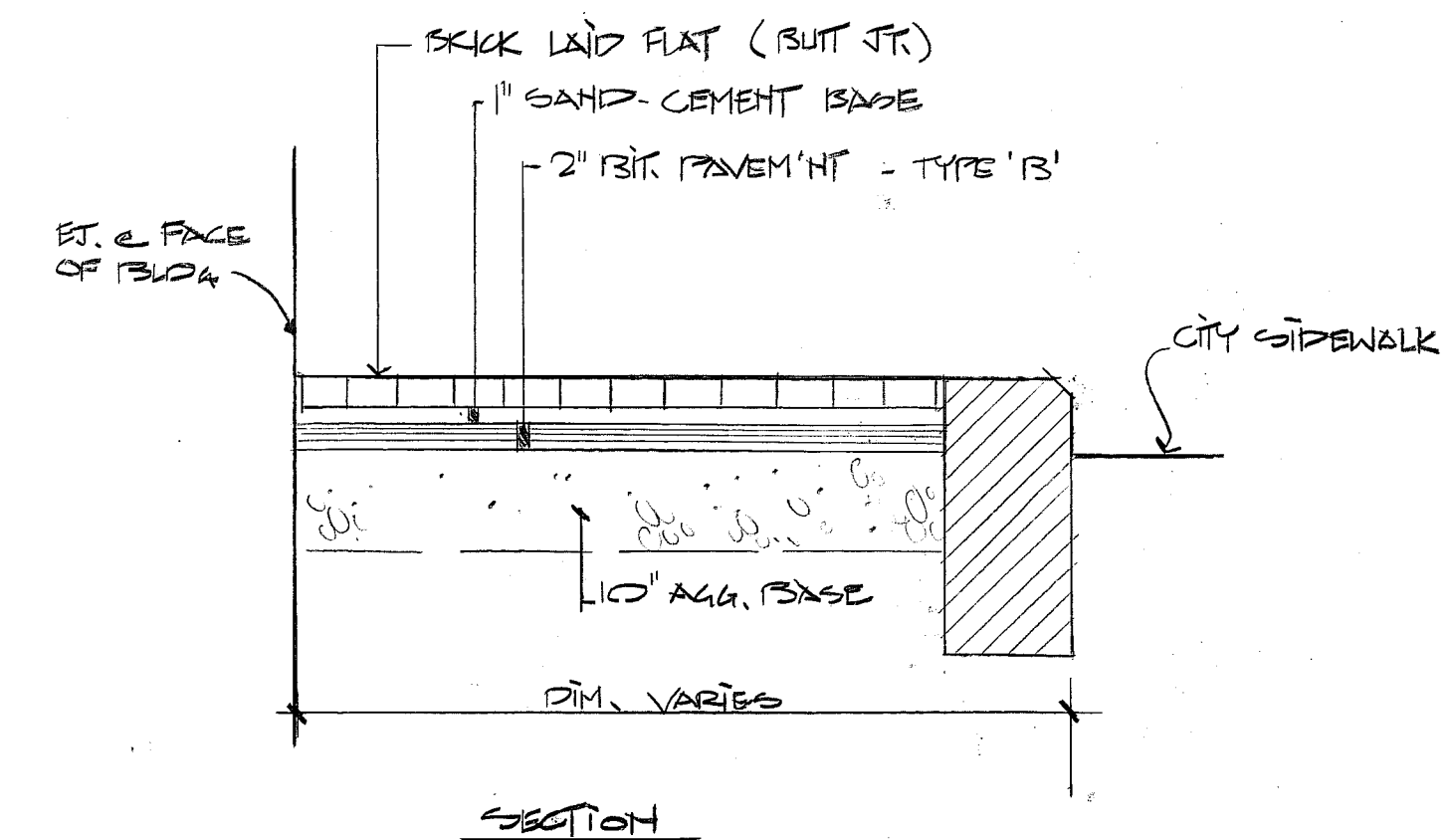
**1 LI** **GRANITE BOLLARD DETAIL**



**2 LI** **RAISED CURB DETAIL**



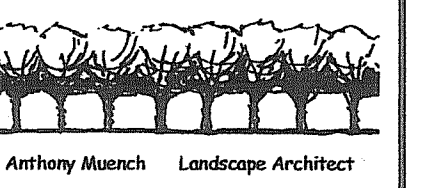
**3 LI** **FENCE DETAIL**



**4 LI** **BRICK PAVING DETAIL**

**LAYOUT NOTES**

- Existing conditions: See grading notes.
- Prior to any construction activities taking place, all dimensions shall be verified in the field by the contractor. Any discrepancies shall be reported immediately to the landscape architect.
- Do not scale the drawings. Any omissions in dimensioning shall be reported immediately to the Landscape Architect.
- All angles are 90 degrees unless otherwise shown.
- All dimensions from buildings are to outside face of building wall.
- All edges of paving shall be staked out by the contractor and reviewed by the landscape architect prior to construction.
- Provide a smooth transition where new work meets existing.
- All areas not otherwise treated shall be loamed and seeded.



Anthony Murch Landscape Architect  
94 Commercial Street, Portland, Maine 04101

DATE: 2.16.15

**COW PLAZA LLC**  
100 COMMERCIAL STREET  
PORTLAND, MAINE 04101

**COW PLAZA GARAGE**  
425 FORE STREET  
PORTLAND, MAINE

LAYOUT & MATERIALS  
SITE PLAN

**L.1**