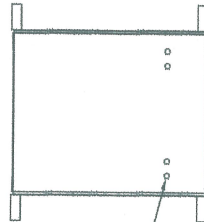
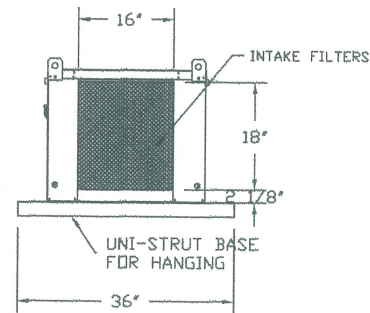
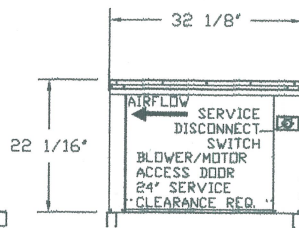
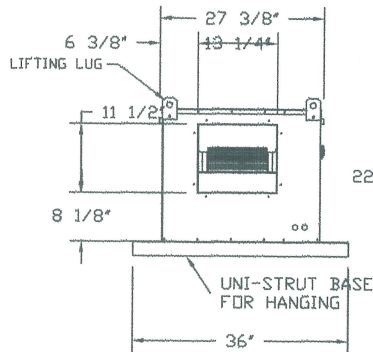


FAN #2 INLINE1-G10 - SUPPLY FAN

1. LOW PROFILE INLINE SUPPLY UNIT W/ 10" BLOWER IN SIZE #1 HOUSING. INSULATED HOUSING.
2. SIDE DISCHARGE - AIR FLOW RIGHT -> LEFT
3. FULL CRATING FOR UNTEMPERED FANS FOR SHIPPING.
4. 3 YEAR EXTENDED WARRANTY FOR FAN MOTOR. PARTS ONLY; DOES NOT INCLUDE LABOR.
5. EXTRA SET OF V-BELTS. ONLY TO BE ORDERED AS FAN OPTION AT TIME FAN IS ORDERED.
6. INDOOR HANGING CRADLE FOR THE SIZE 1 UNTEMPERED INLINE UNIT. 2 HSA125 HANGING ISOLATORS PER UNI-STRUT INCLUDED.



FLEX CONDUIT  
FOR FIELD  
WIRING



CUSTOMER APPROVAL TO MANUFACTURE:

- Approved as Noted
- Approved with NO Exception Taken
- Revise and Resubmit

SIGNATURE \_\_\_\_\_

Your Title \_\_\_\_\_ Date \_\_\_\_\_



**CAPTIVEAIR**

JOB Old Port Lobster Company r1	
LOCATION SCARBOROUGH, ME,	
DATE 7/11/2016	JOB # 2692009
DWG # 7	DRAWN BY BFC-21
REV.	SCALE 3/8" = 1'-0"