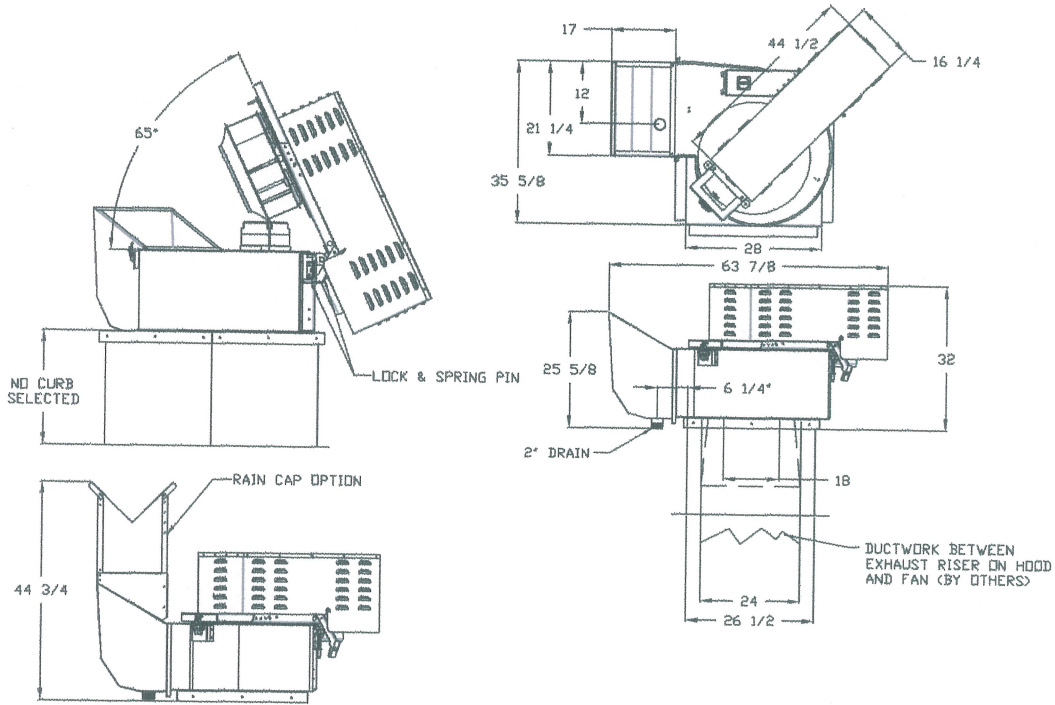


FAN #1 CASRE20BD - EXHAUST FAN



**FEATURES:**

- ROOF MOUNTED FANS
- RESTAURANT MODEL
- UL762
- HIGH HEAT OPERATION DIRECT DRIVE 300°F (149°C)
- HIGH HEAT OPERATION BELT DRIVE 500°F (260°C)
- HEAT SLINGER
- GREASE CLASSIFICATION TESTING
- TILT OUT WHEEL
- LOCKING PIN FOR POWER PACK
- MOTOR WEATHER COVER
- INTERLOCKED DISCONNECT SWITCH

**NORMAL TEMPERATURE TEST BELT DRIVE**  
 EXHAUST FAN MUST OPERATE CONTINUOUSLY WHILE EXHAUSTING AIR AT 500°F (260°C) UNTIL ALL FAN PARTS HAVE REACHED THERMAL EQUILIBRIUM, AND WITHOUT ANY DETERIORATING EFFECTS TO THE FAN WHICH WOULD CAUSE UNSAFE OPERATION.

**ABNORMAL FLARE-UP TEST BELT & DIRECT DRIVE**  
 EXHAUST FAN MUST OPERATE CONTINUOUSLY WHILE EXHAUSTING BURNING GREASE VAPORS AT 600°F (316°C) FOR A PERIOD OF 15 MINUTES WITHOUT THE FAN BECOMING DAMAGED TO ANY EXTENT THAT COULD CAUSE AN UNSAFE CONDITION.

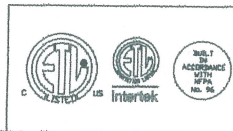
**OPTIONS**

- FULL CRATING FOR EXHAUST FANS
- UTILITY SET GREASE CUP
- 3 YEAR EXTENDED MOTOR WARRANTY
- EXTRA SET OF BELTS
- FAN BASE CERAMIC SEAL - FOR GREASE DUCTS
- RE20 - DISCHARGE EXTENSION ASSEMBLY WITH HARDWARE.

CUSTOMER APPROVAL TO MANUFACTURE:

- Approved as Noted
- Approved with NO Exception Taken
- Revise and Resubmit

SIGNATURE \_\_\_\_\_  
 Your Title \_\_\_\_\_ Date \_\_\_\_\_



JOB Old Port Lobster Company r1	
LOCATION SCARBOROUGH, ME,	
DATE 7/11/2016	JOB # 2692009
DWG # 5	DRAWN BY BFC-21
REV.	SCALE 3/8" = 1'-0"