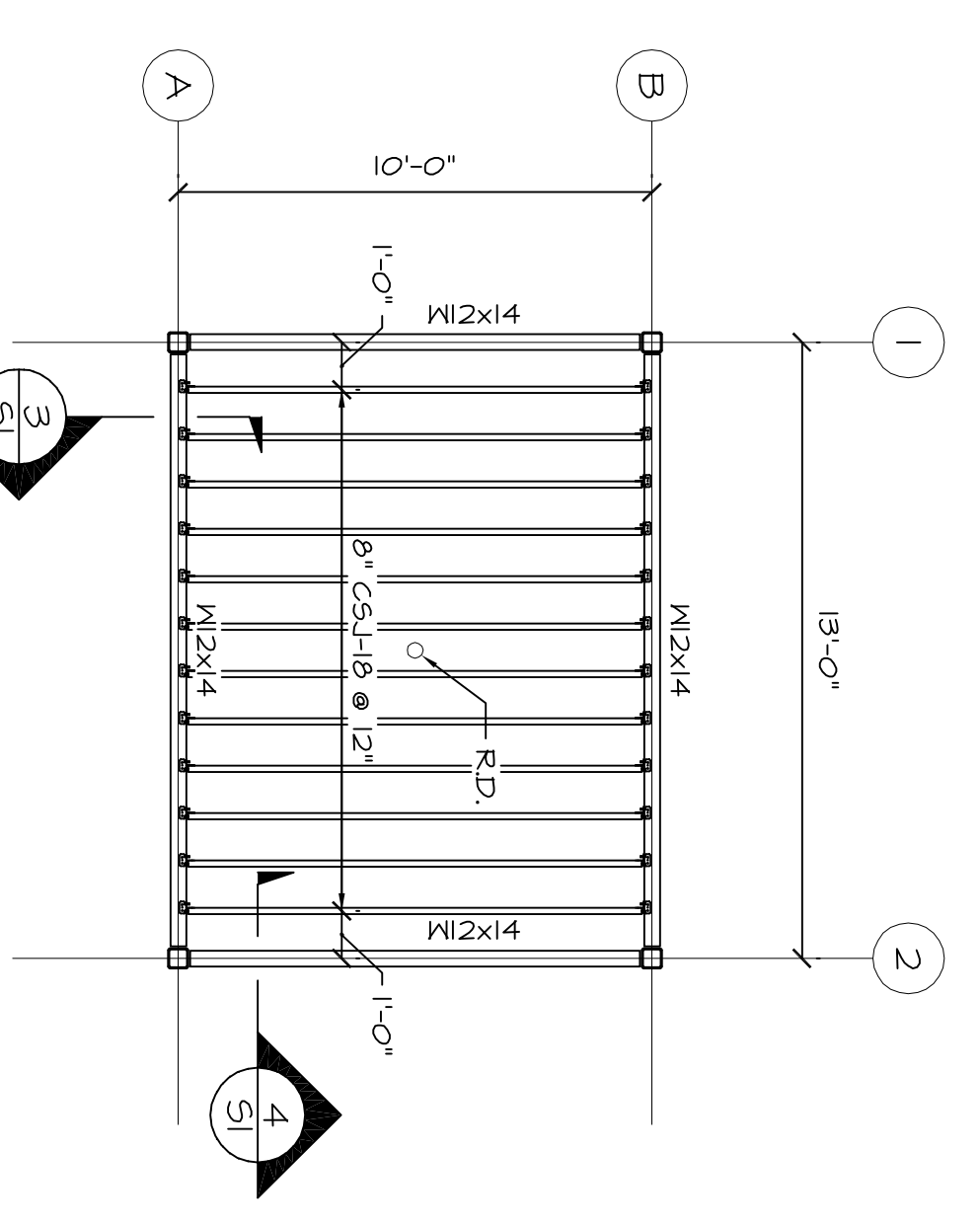


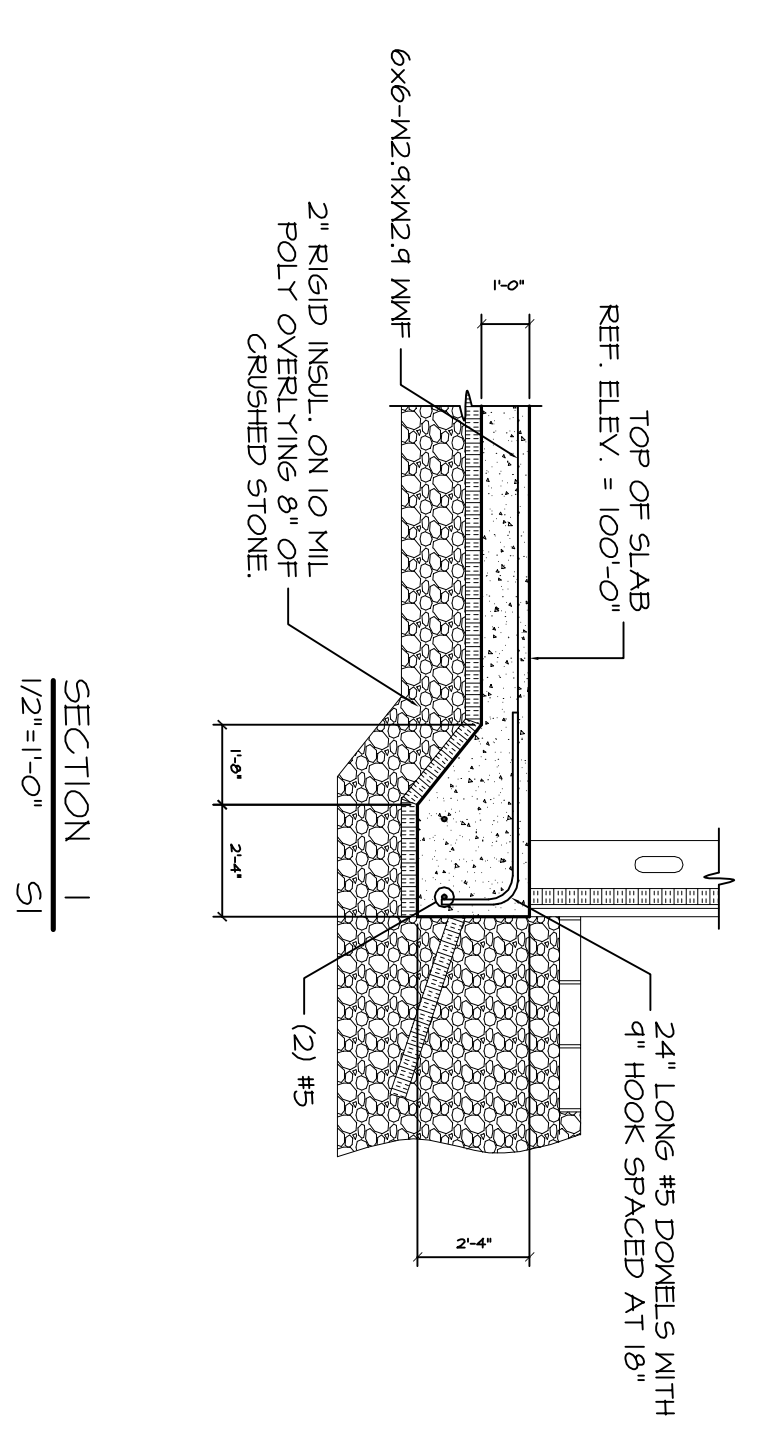
FOUNDATION PLAN
1/4"=1'-0"

CONCRETE SHALL HAVE THE FOLLOWING PROPERTIES:
STRENGTH 3000 PSI AT 28 DAYS
MAX W/C RATIO 0.58
SLUMP 3 3/4"
ENTRAINED AIR 6-8%
REINFORCING STEEL SHALL BE ASTM A-615
W/F SHALL BE ASTM A-185 SUPPLIED IN FLAT SHEETS.

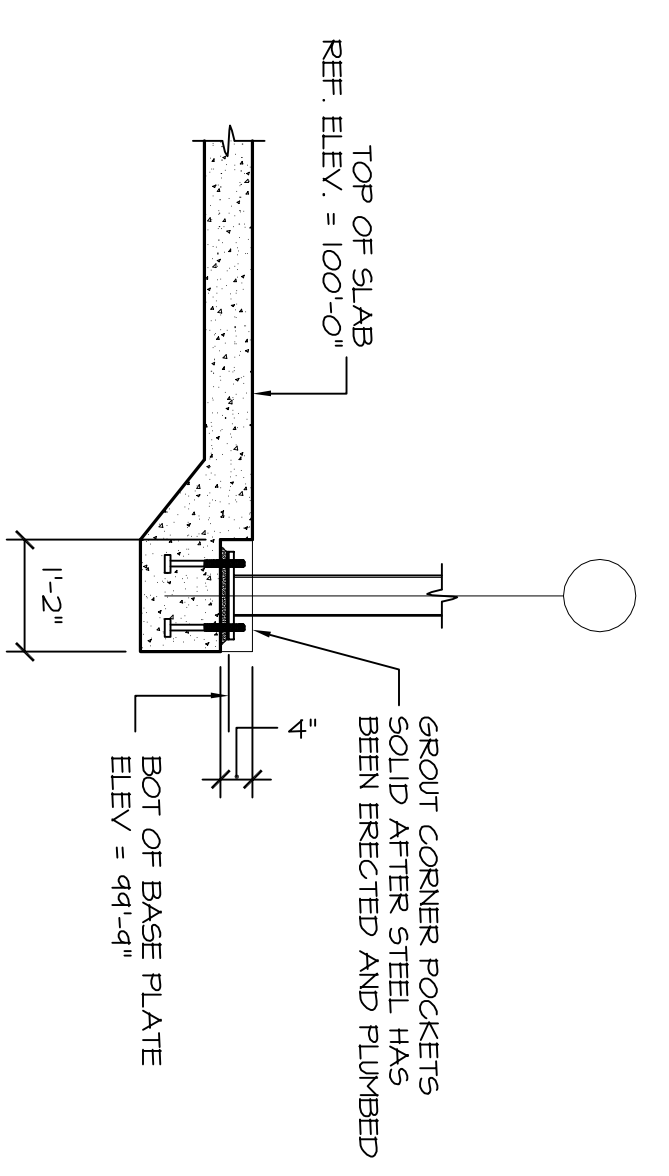


ROOF FRAMING PLAN
1/4"=1'-0"

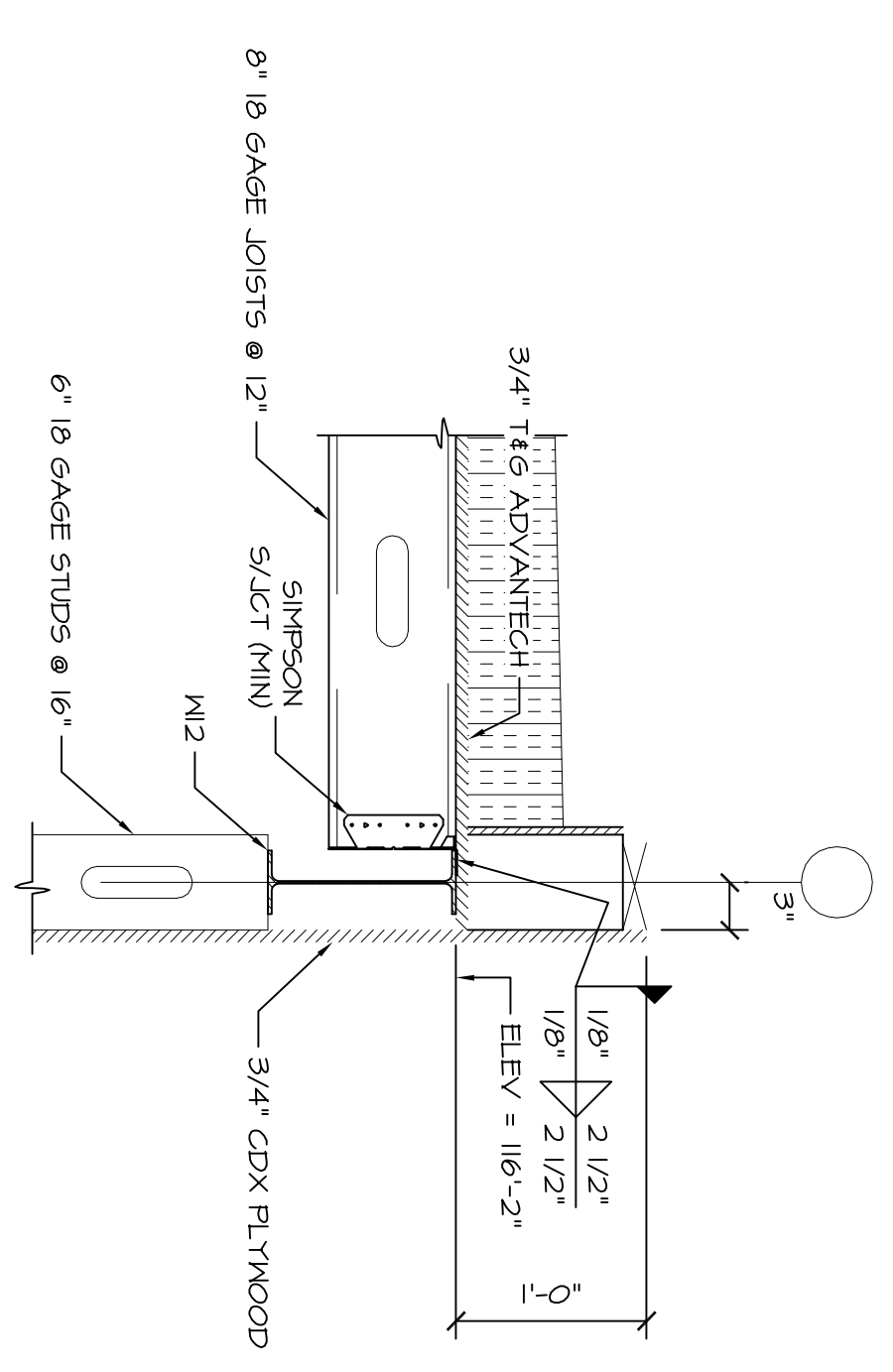
TOP OF STEEL ELEV. = 116'-2"
ROOF SHEATHING IS 3/4" T&G ADVANTECH. ATTACH SHEATHING TO LIGHTGAGE JOISTS WITH 0-24X1-7/16 WAFERHEAD T&G SCREWS SPACED AT 12". ATTACH SHEATHING TO PERIMETER BEAMS WITH 12-24X2-1/4 FLATHEAD T&G SCREWS SPACED AT 6".
ALL LIGHTGAGE FRAMING MEMBERS ARE BY DIETRICH INDUSTRIES, INC OR APPROVED ALTERNATE.
JOIST HANGERS ARE BY SIMPSON STRONGTIE OR APPROVED ALTERNATE.



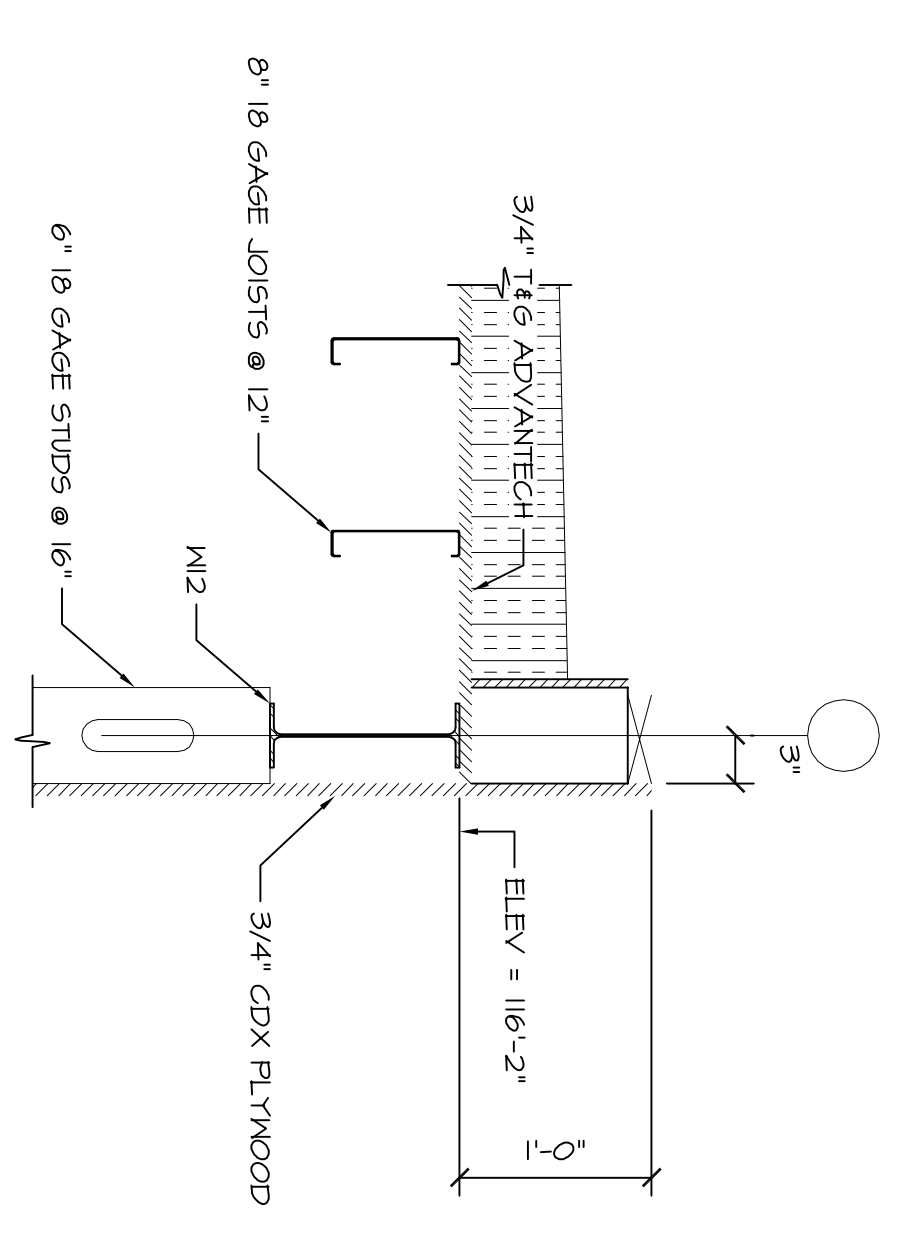
SECTION 1
1/2"=1'-0"



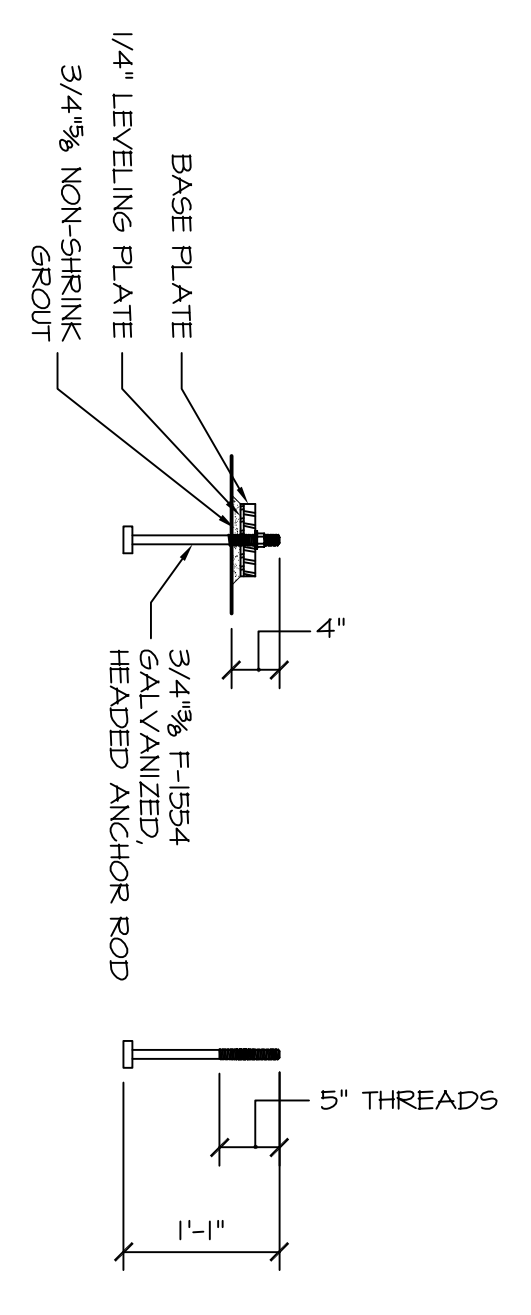
SECTION 2
1/2"=1'-0"
SEE SECTION 1 FOR ADDITIONAL INFORMATION



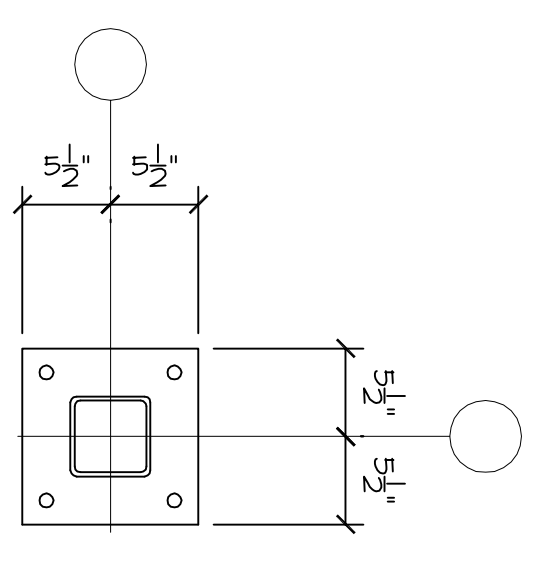
SECTION 3
1"=1'-0"



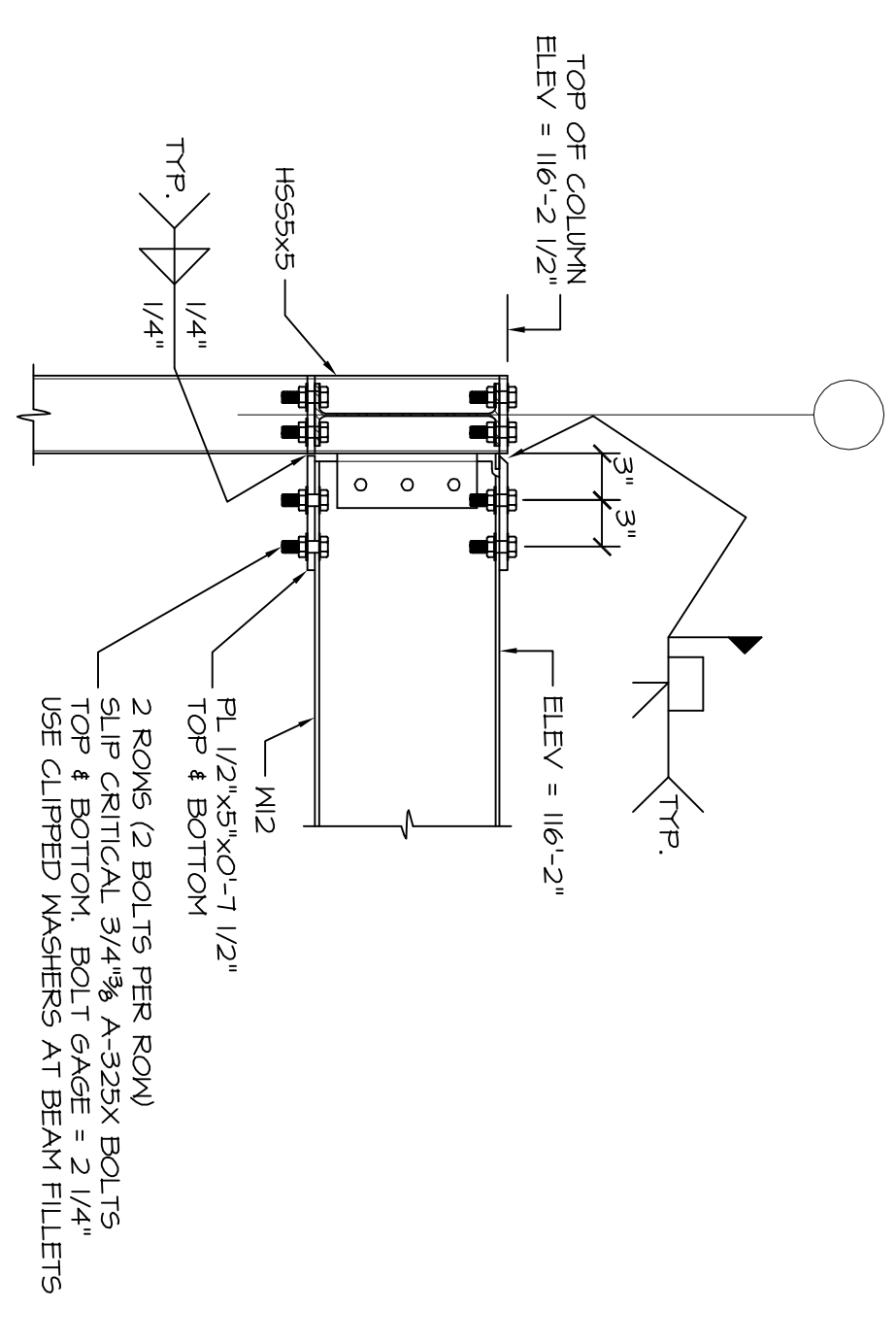
SECTION 4
1"=1'-0"



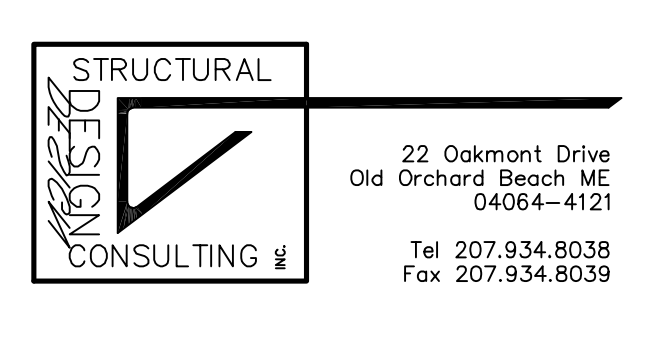
TYPICAL ANCHOR ROD DETAILS
3/4"=1'-0"



BASE PLATE DETAIL
1"=1'-0"
THICKNESS = 5/8"
HOLE DIA. = 1 1/8"
HOLE EDGE DIST = 1 1/2"



T&P BEAM/COLL. CONNECTION
1"=1'-0"



COPYRIGHT
Reuse or reproduction of the contents of this document is not permitted without written permission of SDC, Inc.

Bangor Savings Bank ATM
401 Fore Street
Portland ME 04101

JOB: 10146

ISSUE DATE
PRELIM. 10-12-10
P STAFF 3-25-11
CDs 3-25-11
REV. 1 -
REV. 2 -
PRINT 03-31-11

STRUCTURAL PLANS & SECTIONS
S-1

03-31-11