

GENERAL ELECTRICAL NOTES

- 60. COMPLETE SYSTEMS. PROVIDE LABOR, MATERIALS, EQUIPMENT AND...
61. UTILITIES. COORDINATE WITH ALL UTILITIES SERVICES, NOTARY UTILITIES OF...
62. SCOPE. WORK SHALL INCLUDE BUT NOT BE LIMITED TO THE FOLLOWING...
63. PERMITS. OBTAIN ALL NECESSARY PERMITS TO BEGIN AND CONTINUE WITH WORK...
64. COORDINATION. COORDINATE WITH ALL OTHER TRADES, ONE SPECIAL...
65. CONSTRUCTION. CONSTRUCTION OF WORK SHALL BE IN ACCORDANCE WITH ALL...
66. PRODUCTS. ALL PRODUCTS SHALL BE NEW, SPECIFICATION GRADE, PRODUCTS OF...
67. COMPATIBILITY. ALL NEW ELECTRICAL DISTRIBUTION EQUIPMENT SHALL MATCH...
68. IDENTIFICATION. ALL ELECTRICAL DISTRIBUTION EQUIPMENT, TRANSFORMERS...
69. INSULATION. PROVIDE THE THIN, THIN, OR THIN THE INSULATION...
70. GROUNDING. ALL GROUNDING SHALL BE PERMITTED TO BE PERMITTED...
71. WIRING. ALL CONDUCTORS CARRYING GREATER THAN 50 VOLTS SHALL BE MINIMUM...
72. CONDUIT FITTINGS. ALL FITTINGS SHALL BE COMPRESSION OR HEADED TYPE...
73. CONDUIT BREAKERS. ALL BRANCH CIRCUIT OVERCURRENT PROTECTION DEVICES...
74. WIRING. ALL WIRING SHALL BE IN CONDUIT, MINIMUM 1/2" (EHT IS...
75. CONDUIT. CONDUIT OVER 2" IN DIAMETER OR EXPOSED TO WEATHER, OR...
76. CONDUIT FITTINGS. ALL FITTINGS SHALL BE COMPRESSION OR HEADED TYPE...
77. CONDUIT BREAKERS. ALL BRANCH CIRCUIT OVERCURRENT PROTECTION DEVICES...
78. WIRING. ALL WIRING SHALL BE IN CONDUIT, MINIMUM 1/2" (EHT IS...
79. CONDUIT. CONDUIT OVER 2" IN DIAMETER OR EXPOSED TO WEATHER, OR...
80. ALTERNATES & SUBSTITUTIONS. SUBMIT FOR APPROVAL TO DATE PRIOR TO PRESENTATION...
81. TELEPHONE SYSTEM. PROVIDE LABOR, MATERIALS, EQUIPMENT AND...
82. TELEPHONE DATA RECEIVERS. PROVIDE LABOR, MATERIALS, EQUIPMENT AND...
83. TELEPHONE DATA RECEIVERS. PROVIDE LABOR, MATERIALS, EQUIPMENT AND...

Panel Wiring Schedule (3-Phase)

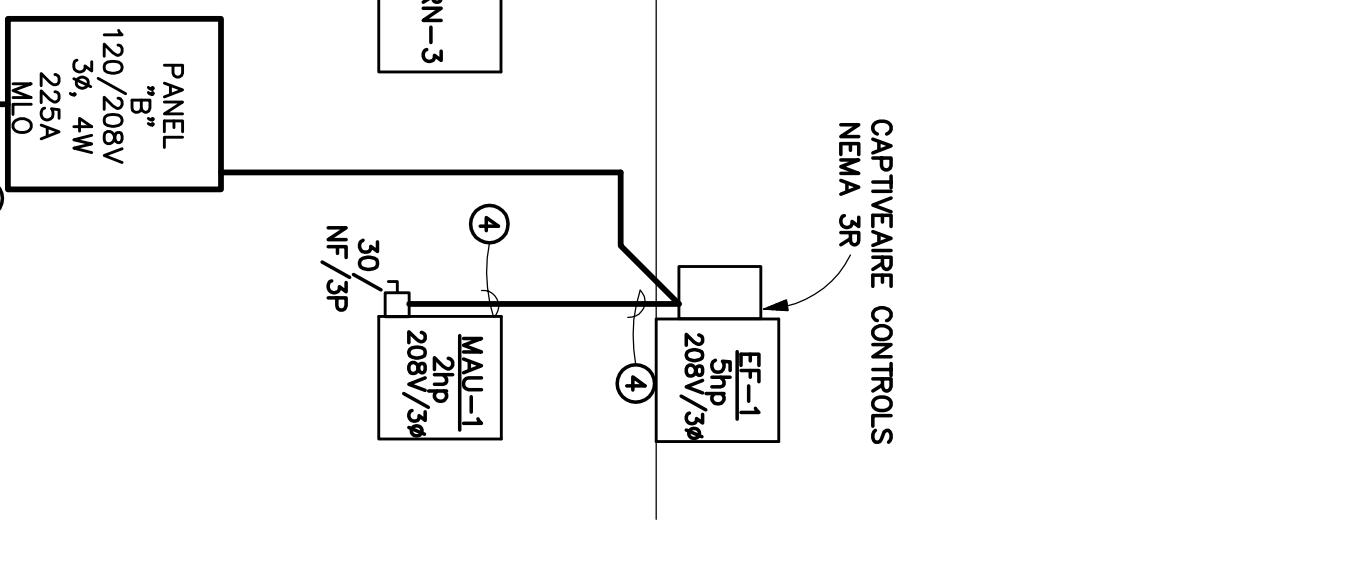
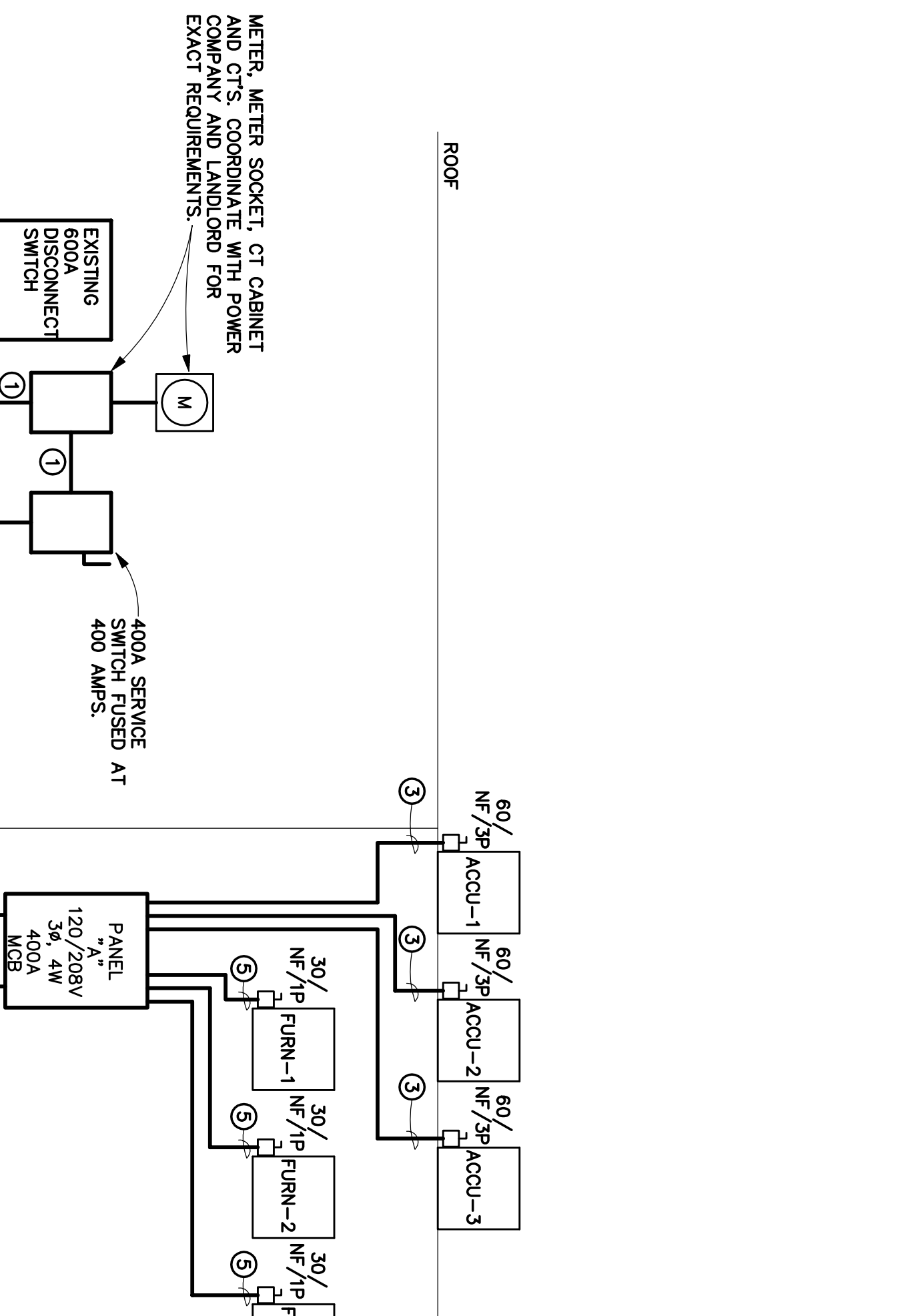
Table with columns: Panelboard, Panel Type, Voltage, Mains, Phase, Wire, A/C Rating, Existing. Includes detailed load schedule for Panelboard 'A'.

Notes: All circuit breakers to be 20-Amp, 1-Pole unless otherwise noted. N.E.C. Connected Totals: 41, 22, 94, 13, 46, 21, 80, 36, 67, 62, 42, 23, 10.

Panel Wiring Schedule (3-Phase)

Table with columns: Panelboard, Panel Type, Voltage, Mains, Phase, Wire, A/C Rating, Existing. Includes detailed load schedule for Panelboard 'B'.

Notes: All circuit breakers to be 20-Amp, 1-Pole unless otherwise noted. N.E.C. Connected Totals: 41, 8, 40, 18, 46, 21, 80, 36, 67, 62, 42, 23, 10.



LOAD SUMMARY table with columns: Description, N.E.C. Connected, Power Factor, N.E.C. Demand, N.E.C. Demand, N.E.C. Demand.

FEEDER SCHEDULE table with columns: Designation, Wire Size, Ground Size, Conduit Size.

EXISTING CONDITION NOTES. THESE DRAWINGS ARE BASED ON INFORMATION PROVIDED TO OUR OFFICE AT THE TIME OF DESIGN. THEREFORE, IT IS THE CONTRACTOR'S RESPONSIBILITY TO VERIFY ALL EXISTING CONDITIONS AND REPORT ANY DISCREPANCIES TO THE ARCHITECT PRIOR TO BID. FAILURE TO DO SO MAY CONSTITUTE THAT THE CONTRACTOR PROVIDE ANY AND ALL ADDITIONAL EQUIPMENT, LABOR, ETC... TO MEET THE INTENDED DESIGN PARAMETERS.

Project information including: SHEET TITLE: PANEL SCHEDULE AND RISER DIAGRAM; PROJECT NUMBER: 10232; DESIGNER: CINCINNATI; and logos for FIVE GUYS, APPLIED ENGINEERING GROUP, INC., and LINLEDESIGN GROUP, INC.