



© ALL DRAWINGS AND WRITTEN MATERIAL CONTAINED HEREIN ARE THE PROPERTY OF THE LINGLE DESIGN GROUP, INC. THEY MAY NOT BE REVISED, COPIED, REUSED, OR DISCLOSED IN ANY MANNER WITHOUT WRITTEN AUTHORIZATION FROM THE ARCHITECT.

FIVE GUYS
 BURGERS and FRIES
 425 FORE STREET
 PORTLAND, MAINE 04101-4396

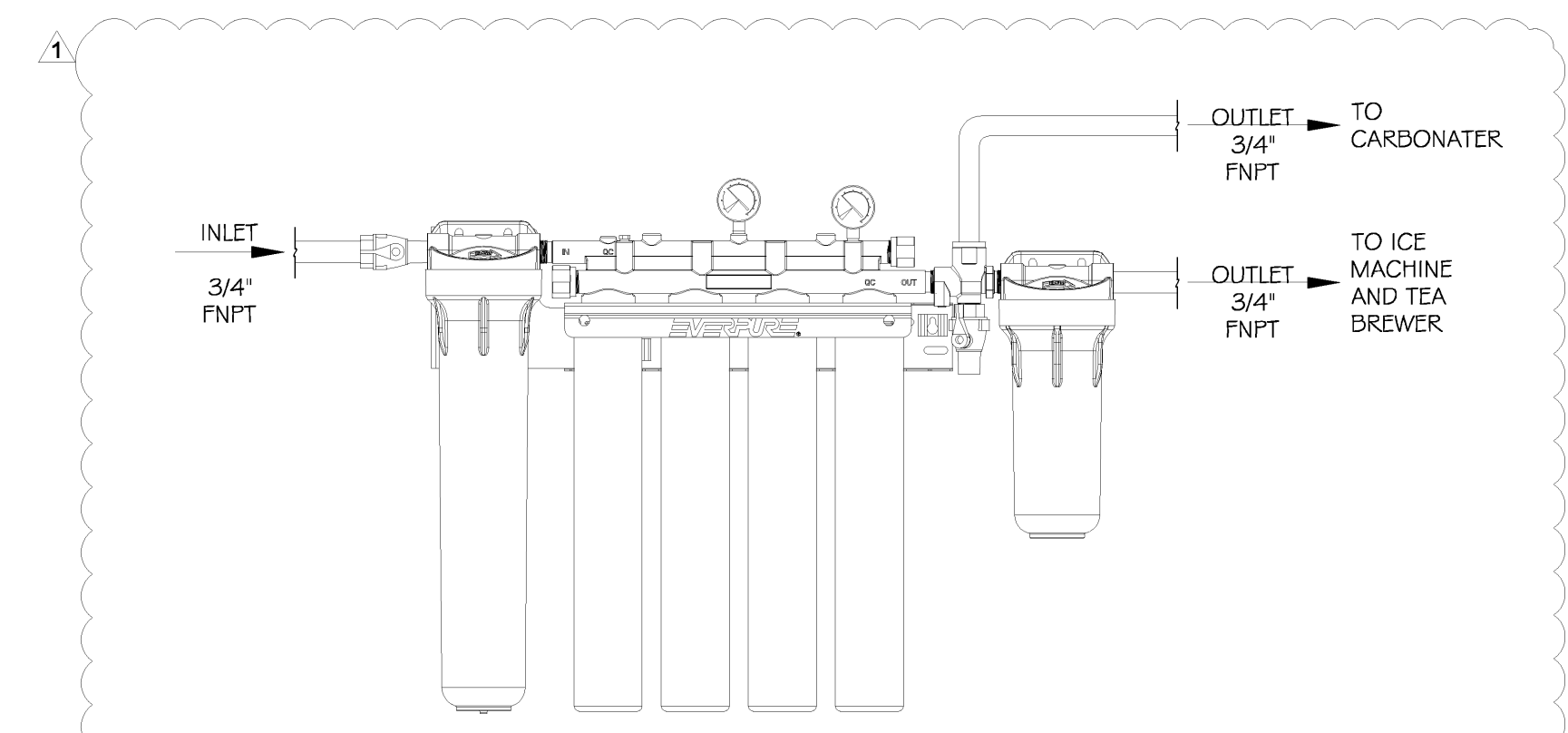
DESCRIPTION:
 DATE: 12/15/2010
 ISSUED FOR PERMIT
 REVISIONS: # 01/27/2011 REVISED PER I.L. MUNICIPAL & CORP. COMMENTS
 # 02/08/2011 ISSUED FOR CONSTRUCTION

PROJECT NUMBER: 10-1033
 DRAWN BY: SRM
 CHECKED BY: BVE

SHEET TITLE:
EQUIPMENT PLAN

SHEET NUMBER:
Q110

EQUIPMENT TAG - SEE SCHEDULE SHEET EQ 1.1



NOTE:
 3/4" WATER LINE FOR SODA MACHINE TO PASS THROUGH THE COOLER BOX. COIL 50 FEET OF PIPING ON CEILING OF BOX (HANG AND SUPPORT AS REQUIRED) END AT BALL VALVE NEAR CARBONATER. SEAL PENETRATIONS THROUGH COOLER BOX. CAULK AS REQUIRED WITH NON-SHRINKABLE CAULK. 3/4" WATER LINE FOR ICE MACHINE TO PASS THROUGH COOLER BOX ALSO WHEN SCOTSMAN MACHINES USED NOT HOSHIZAKI, SEE PREVIOUS NOTES. ALL PIPES PASSING THROUGH COOLER BOXES ARE POST WATER FILTER.

A5 WATER FILTER ROUTING DETAIL

N.T.S.

EQUIPMENT PLAN

SCALE: 1/4" = 1'-0"