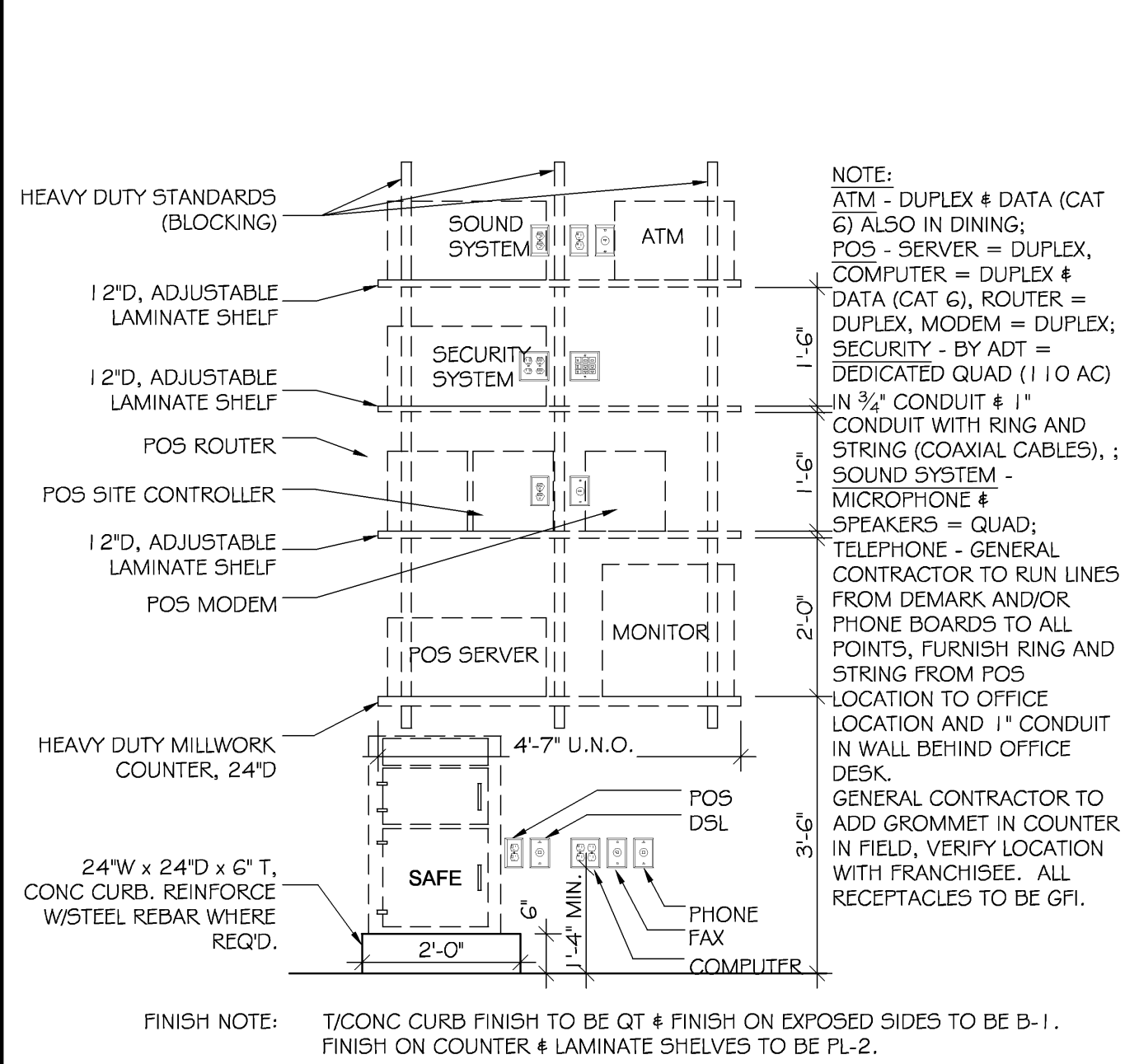
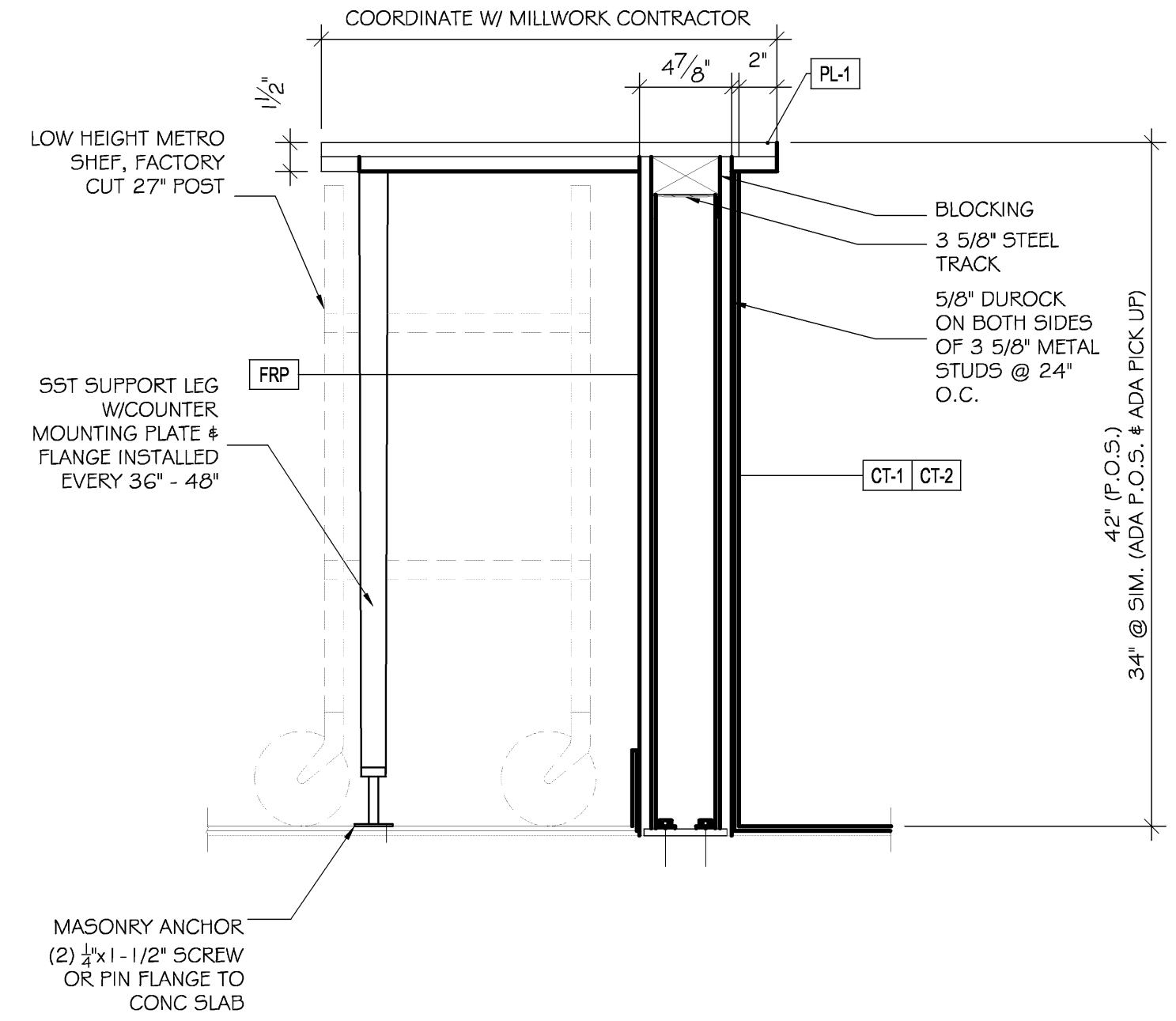


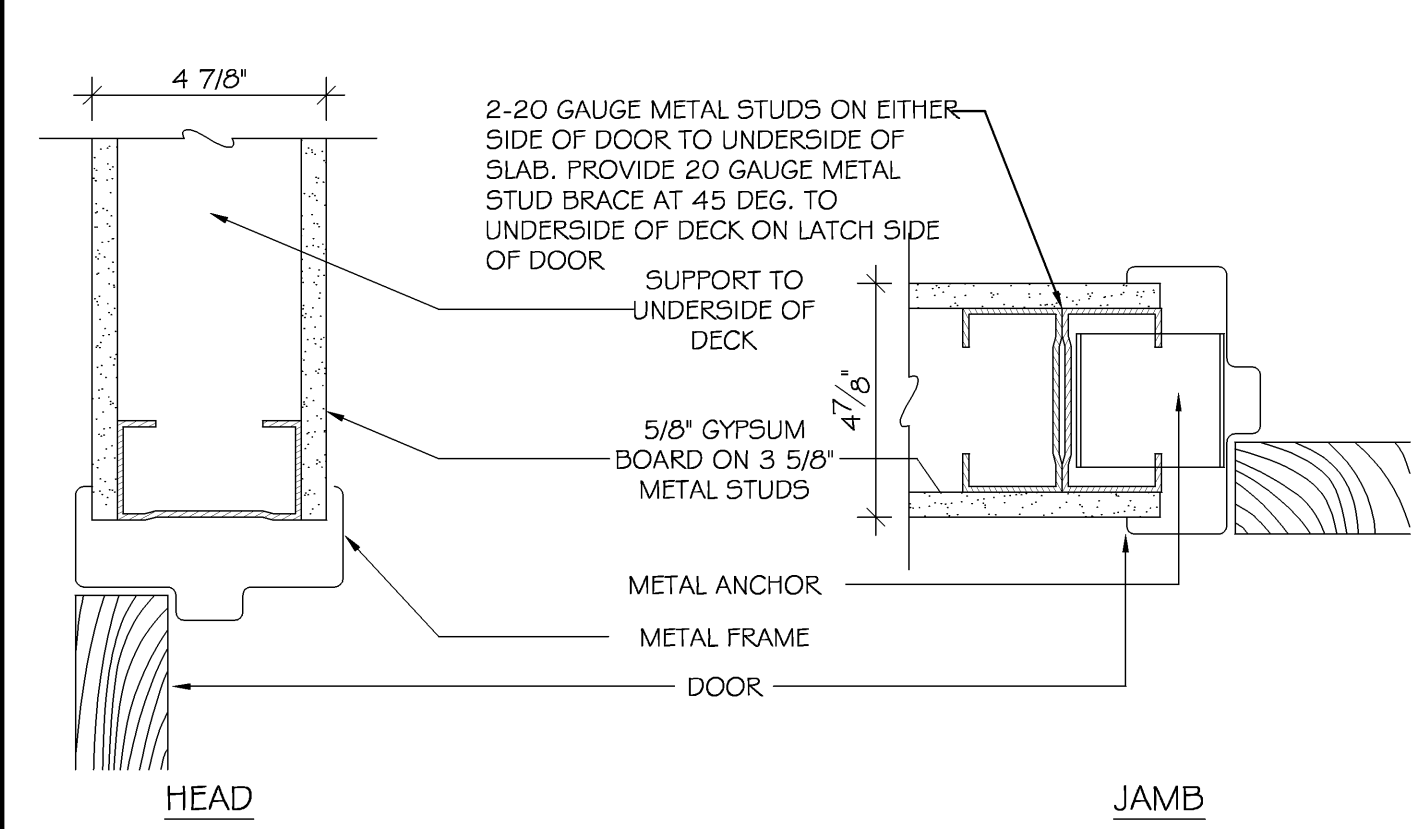
D1 P.O.S. UNDER COUNTER ELEVATION



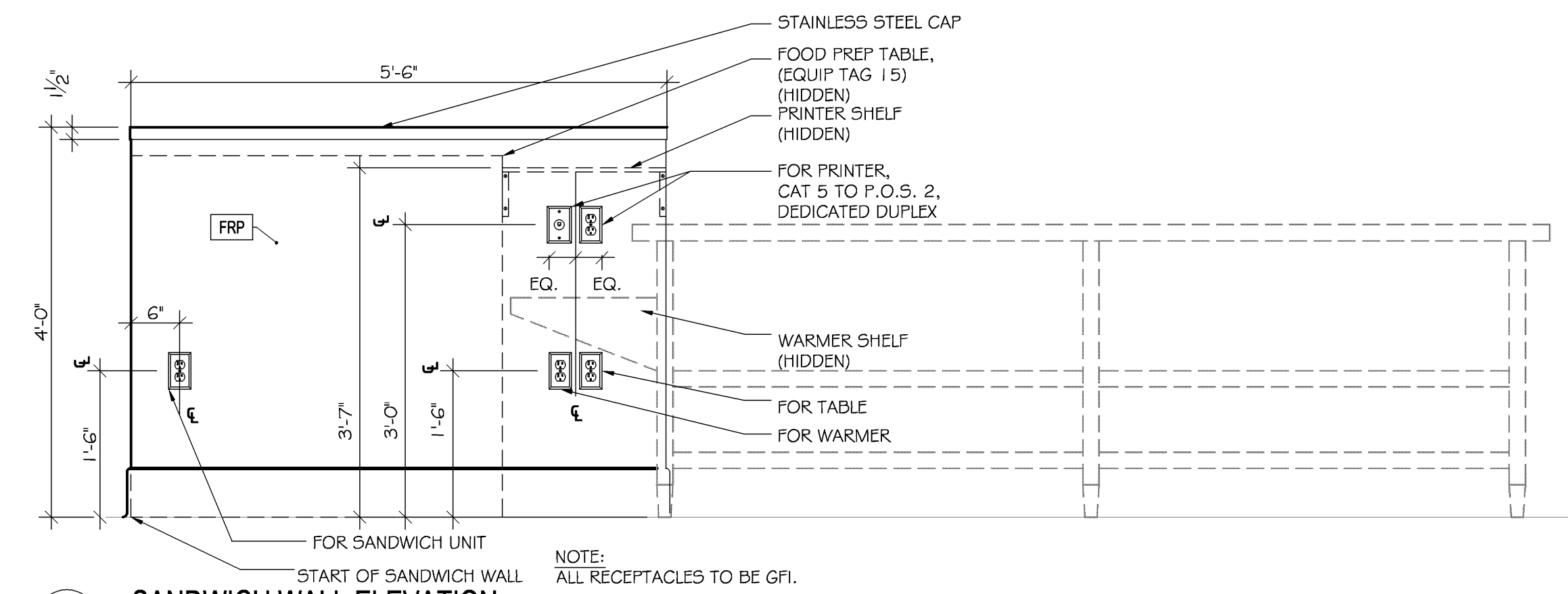
C1 OFFICE ELEVATION



C2 SERVICE COUNTER SECTION



A1 TYPICAL DOOR JAMB AND PLACEMENT DETAIL



A2 SANDWICH WALL ELEVATION

DOOR SCHEDULE

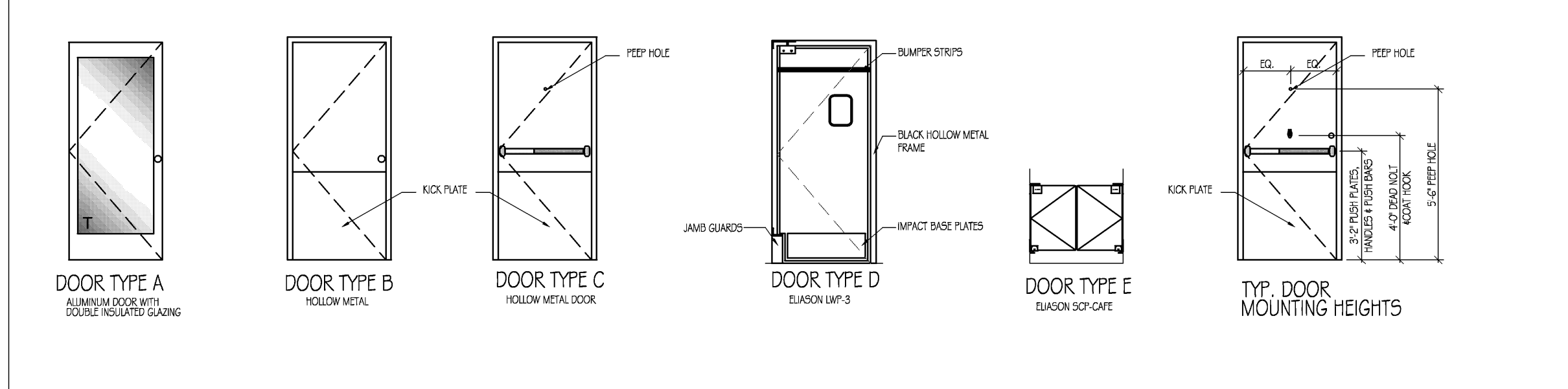
| MARK | ROOM | DOOR | | | FRAME | | HARDWARE SET | REMARKS |
|------|--------------------|---------------------------------|------|--------------|----------------|----------------|--------------|--|
| | | SIZE | TYPE | MATL | FINISH | MATL | | |
| 100 | ENTRY (EXISTING) | 3'-0" x 7'-0" x 1 3/4" | A | EXISTING | MATCH EXISTING | MATCH EXISTING | 1 | |
| 100A | VESTIBULE | 3'-0" x 7'-0" x 1 3/4" | A | ALUMN | ANODIZED ALUMN | ALUMN | 5 | |
| 100B | EGRESS | 3'-0" x 7'-0" x 1 3/4" | A | ALUMN | ANODIZED ALUMN | ALUMN | 5 | |
| 101 | EGRESS (EXISTING) | 3'-0" x 7'-0" x 1 3/4" (V.I.F.) | A | ALUMN | ANODIZED ALUMN | ALUMN | 1 | |
| 102 | SERVICE AREA | 3'-0" x 6'-8" x 1" | E | SS | SS | HOLLOW METAL | P-4 | HARDWARE AND ACCESSORIES STAINLESS STEEL FURNISHED BY ELASON |
| 105 | STORAGE | 3'-0" x 6'-8" x 1" | D | SS | SS | HOLLOW METAL | SS | HARDWARE AND ACCESSORIES FURNISHED BY ELASON - 1/8 GAUGE FULL LENGTH STAINLESS STEEL PANELS (BOTH SIDES) - 9" x 14" WINDOW |
| 105A | STORAGE (EXISTING) | 3'-0" x 7'-0" x 1 3/4" (V.I.F.) | C | EXISTING | P-4 | HOLLOW METAL | P-4 | 4 |
| 107 | OFFICE | 3'-0" x 6'-8" x 1 3/4" | B | HOLLOW METAL | P-4 | HOLLOW METAL | P-4 | 2 |
| 108 | WOMENS RESTROOM | 3'-0" x 6'-8" x 1 3/4" | B | HOLLOW METAL | P-4 | HOLLOW METAL | P-4 | 3 |
| 109 | MENS RESTROOM | 3'-0" x 6'-8" x 1 3/4" | B | HOLLOW METAL | P-4 | HOLLOW METAL | P-4 | 3 |

NOTE:
 - ALL DOOR HARDWARE AND ACCESSORIES SHALL BE BRUSHED CHROME / STAINLESS STEEL FINISHED U.N.O.
 - ALL HINGES TO BE BEARING TYPE.
 - ALL HARDWARE TO BE LEVERS, HAVING AN OBVIOUS METHOD OF OPERATION UNDER ALL LIGHTING CONDITIONS.
 - DOORS SHALL BE OPERABLE WITH NO MORE THAN ONE RELEASING OPERATION PER NFPA 5-2.1.5.3.
 - PANIC HARDWARE SHALL BE PROVIDED FOR ALL EXIT DOORS PER SECTION 12.2.2.2.3, NFPA 101.
 - PANIC HARDWARE SHALL CONTAIN A MINIMUM OF TWO (2) LOCKING POINTS ON EACH DOOR, ONE LOCATED AT THE HEADER, THE OTHER AT THE THRESHOLD OF THE DOOR.
 - ON SINGLE DOORS, PANIC HARDWARE MAY HAVE ONE LOCKING POINT WHICH IS NOT LOCATED AT EITHER THE TOP OR BOTTOM RAILS OF THE DOOR FRAME.
 - THE DOOR SHALL HAVE AN ASTRAGAL CONSTRUCTED OF STEEL 0.125" THICK WHICH SHALL BE ATTACHED WITH NON-REMOVEABLE BOLTS TO THE OUTSIDE OF THE DOOR.
 - THE ASTRAGAL SHALL EXTEND A MINIMUM OF SIX (6) INCHES VERTICALLY ABOVE AND BELOW THE LATCH OF THE PANIC HARDWARE.
 - THE ASTRAGAL SHALL BE A MINIMUM OF TWO (2) INCHES WIDE AND EXTEND A MINIMUM OF ONE INCH (1) BEYOND THE EDGE OF THE DOOR TO WHICH IT IS ATTACHED.
 - DOUBLE DOORS CONTAINING PANIC HARDWARE SHALL HAVE A FULL ASTRAGAL CONSTRUCTED OF STEEL, ATTACHED TO THE DOORS AT THEIR MEETING POINT WHICH WILL CLOSE THE OPENING BETWEEN THEM, BUT NOT INTERFERE WITH THE OPERATION OF EITHER DOOR.
 - DOOR LOCKING BAR - VON DUPRIN MORTISE LOCK DEVICE, 9975-NL-03-3-1/32D
 - ALARM - THE MONITOR, MODEL 4000AS WITH STROBE AND BEST LOCK CYLINDER

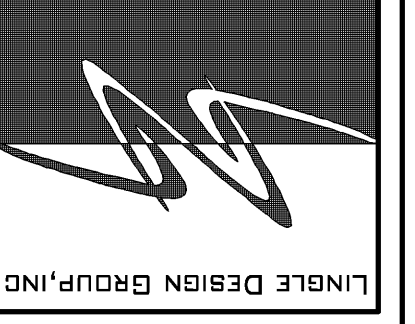
HARDWARE TYPES

| HARDWARE SET NO. 1 - ENTRY DOORS - (V.I.F. - PROVIDE IF NOT EXISTING) | | HARDWARE SET NO. 4 - REAR DOORS (V.I.F. - PROVIDE IF NOT EXISTING) | |
|--|---------|---|---------|
| 1 EA. FULL MORTISE, CONTINUOUS HINGES # 780-224 FINISH TO MATCH STOREFRONT CODE REQUIRED PANIC HARDWARE: BY G.C. | BY G.C. | * VERIFY EXISTING HDWR MEETS OR EXCEEDS THE FOLLOWING CRITERIA - ALONG WITH ALL STATE AND LOCAL CODES | |
| 1 EA. DETEX MODEL V40, 7 1/1 FINISH, V.I.F. WIDE OR NARROW STYLE & WIDTH OF DOOR. | DETEX | 1/2"PR #BB-1191, FINISH TO MATCH EXISTING HINGES x NRP | HAGER |
| 1 EA. CLOSER NORTON 1 600 BHMA 689 COVER - FINISH TO MATCH STOREFRONT | LCN | 1 EA. 360° PEEP HOLE & BUZZER | HAGER |
| 1 EA. SIGNAGE "DOOR TO REMAIN UNLOCKED DURING BUSINESS HOURS" | BY G.C. | 1 EA. DETEX MODEL V40, 7 1/1 FINISH W/ EXIT ALARM (EB), V.I.F. DOOR WIDTH - 08-BRN-689 OUTSIDE LEVER TRIM | BY G.C. |
| 1 EA. SIGNAGE "MAXIMUM OCCUPANCY" POST AT MAIN ENTRY | BY G.C. | 1 EA. U526D CYLINDER | BY G.C. |
| 1 EA. THRESHOLD TO MATCH DOOR TYPE AND FLOOR CONDITION (PROVIDE POSITIVE SEAL AGAINST AIR PENETRATION) | BY G.C. | 1 EA. SWEEP | BY G.C. |
| 1 EA. PROVIDE DOOR SWEEP TO MATCH THRESHOLD (MATCH STOREFRONT) | BY G.C. | 1 EA. CLOSER | BY G.C. |
| 1 EA. RIM CYLINDER - 5/8" - SMALL FORMAT INTERCHANGEABLE - FINISH TO MATCH STOREFRONT | SCHLAGE | 1 EA. 34" x 34" DIAMOND PLATE KICK PLATE (INTERIOR SIDE) | BY G.C. |
| HARDWARE SET NO. 2 - OFFICE | | HARDWARE SET NO. 5 - VESTIBULE DOORS | |
| 1/2"PR BUTT - STAIN CHROMIUM FINISH | BY G.C. | 1 PR. PIVOT SINGLE ACTING KAWNEER TOP & BOTTOM OFFSET PIVOTS (OR EQUAL) | BY G.C. |
| 1 EA. AL SERIES, SATURN (SAT) ENTANCE/OFFICE LOCK (AL50P) - 626 STAIN CHROMIUM FINISH | SCHLAGE | 1 EA. DOOR PULL KAWNEER STYLE "L" (OR EQUAL) - COLOR TO MATCH STOREFRONT | BY G.C. |
| 1 EA. FLOOR STOP - FINISH TO MATCH HARDWARE | BY G.C. | 1 EA. DOOR PUSH BAR KAWNEER STYLE "L" (OR EQUAL) - COLOR TO MATCH STOREFRONT | BY G.C. |
| 2 EA. 34" x 34" DIAMOND PLATE KICK PLATE (BOTH SIDES) | BY G.C. | 1 EA. CLOSER NORTON 1 600 BHMA 689 COVER | BY G.C. |
| 1 EA. CLOSER - FINISH TO MATCH HARDWARE | BY G.C. | 1 EA. SWEEP | BY G.C. |
| HARDWARE SET NO. 3 - RESTROOM DOORS PRIVACY SET | | | |
| 1/2"PR BUTTS - STAIN CHROMIUM FINISH | BY G.C. | | |
| 1 EA. AL SERIES, SATURN (SAT), BATH/RESTROOM PRIVACY LOCK (AL40S) - 626 STAIN CHROMIUM FINISH | SCHLAGE | | |
| 1 EA. WOMENS - SIGN: "WOMEN" (SEE SIGN ON SHEET A400) | BY G.C. | | |
| 1 EA. MENS - SIGN: "MEN" (SEE SIGN UTL ON SHEET A400) | BY G.C. | | |
| 1 EA. FLOOR STOP - FINISH TO MATCH HARDWARE | BY G.C. | | |
| 2 EA. 34" x 34" DIAMOND PLATE KICK PLATE (BOTH SIDES) | BY G.C. | | |
| 1 EA. CLOSER - FINISH TO MATCH HARDWARE | BY G.C. | | |

DOOR TYPES



LINGLEDESIGNGROUP, INC
 158 WEST MAIN STREET
 LENA, IL 61048
 PHONE: 815-369-9155
 FAX: 815-369-4495
 WWW.LINGLEDESIGN.COM



© ALL DRAWINGS AND WRITTEN MATERIAL CONTAINED HEREIN ARE THE PROPERTY OF THE LINGLE DESIGN GROUP, INC. THEY MAY NOT BE REPRODUCED, COPIED, REUSED, OR DISCLOSED IN ANY MANNER WITHOUT WRITTEN AUTHORIZATION FROM THE ARCHITECT.

FIVE GUYS
 PORTLAND, MAINE 04101-4396

REVISIONS:
 # DATE DESCRIPTION
 1 12/15/2010 ISSUED FOR PERMIT
 2 01/27/2011 REVISED PER I.L. MUNICIPAL & CORP. COMMENTS
 3 02/08/2011 ISSUED FOR CONSTRUCTION

PROJECT NUMBER: 10-1033
 DRAWN BY: SRM
 CHECKED BY: BVE

SHEET TITLE:
DETAILS

SHEET NUMBER:
A500