

LIGHT FIXTURE SCHEDULE					
SYMBOL	MANUFACTURER & MODEL #	DESCRIPTION	LOCATION	REMARKS	LAMP
A	INDUSTRIAL LIGHTING GROUP ILG-R241-JMX-428-120	2x4 FLUORESCENT TYPE A4	KITCHEN, SERVICE AREA, OFFICE, RR VESTIBULE	LENS (SMOOTH SIDE DOWN)	(4) F28T8/SP41/JMXECC LAMPS (88 W)
B	INDUSTRIAL LIGHTING GROUP ILG-R221-JMX-232UG-120	2x2 FLUORESCENT TYPE A1	RESTROOMS & DINING AREA	LENS (SMOOTH SIDE DOWN)	(2) F32T8/SP41/JG LAMPS (13 W)
R	INDUSTRIAL LIGHTING GROUP ILG-X65 1-9-2-1 BLE	DECORATIVE PENDANT RED FINISH	DINING AREA, CONFERENCE ROOM & SERVICE LINE	INSTALL @ 8'-0" A.F.F. (ADJUST FOR EXISTING CONDITIONS) - DO NOT PAINT WIRING	(1) PLS 13-IL5-97040 LAMPS (13 W)
W	INDUSTRIAL LIGHTING GROUP ILG-X65 1-9-2-1 BLE	DECORATIVE PENDANT WHITE FINISH	DINING AREA, CONFERENCE ROOM & SERVICE LINE	INSTALL @ 8'-0" A.F.F. (ADJUST FOR EXISTING CONDITIONS) - DO NOT PAINT WIRING	(1) PLS 13-IL5-97040 LAMPS (13 W)
EM	LIGHTING BY DESIGN ILG-EU-2-W	TWIN HEAD EMERGENCY BATTERY UNIT WITH WHITE POLYCARBONATE HOUSING AND INTEGRAL BATTERY BACK-UP		WALL MOUNTED - SEE PLAN	LAMP INCLUDED WITH FIXTURE
EX	LIGHTING BY DESIGN ILG-TP-U-R-W-EM	LED EXIT SIGN WITH WHITE THERMOPLASTIC HOUSING, INTEGRAL BATTERY BACK-UP		WALL ABOVE EXITS	LAMP INCLUDED WITH FIXTURE. COORDINATE COLOR WITH AUTHORITY HAVING JURISDICTION.
REM	LIGHTING BY DESIGN EU-MR-3R	EGRESS FIXTURE W/ BATTERY (LED)		EXTERIOR WALL	LAMP INCLUDED WITH FIXTURE
S	CEILING MOUNTED SPEAKER			BY VENDOR	
	MENU BOARD TRACK LIGHTING	4' TRACK		WALL MOUNTED @ 6" ABOVE B.O. SOFFIT	LT-LT840 W/100W PAR38) QTY. 4, HEADS

NOTES:
ALL FIXTURES IN KITCHEN, DISH WASH AREA AND FOOD SERVICE AREA TO BE LENSED OR HAVE SHATTER PROOF LAMPS. LAMPS TO BE SHATTER PROOFED WITH THE FOLLOWING: NORMAN LAMPS, INC. (800-992-8020)
RESTROOMS TO HAVE OCCUPANCY OR VACANCY SENSOR.
NATIONAL ACCOUNT FOR LIGHTING: LIGHTING BY DESIGN, ATTN: BYRON GORDON, PH: (800-426-3398), FAX: (800-376-0816), E-MAIL: BGORDON@INDUSTRIALLIGHTING.COM

GENERAL NOTES

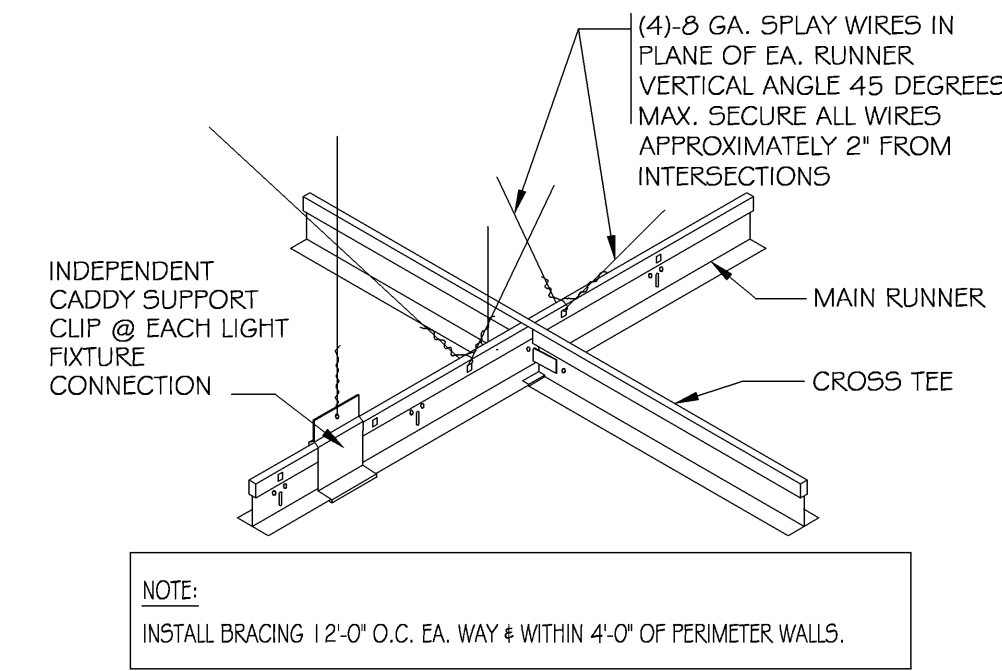
- G.C. TO OBTAIN ALL ACOUSTICAL CEILING PANELS AND SUSPENSION SYSTEM FROM THE SAME MANUFACTURER.
- G.C. TO INSTALL MATERIALS AND SYSTEMS IN ACCORDANCE WITH ALL MANUFACTURER'S INSTRUCTIONS AND RECOMMENDATIONS - COORDINATE WORK WITH ALL TRADES.
- G.C. TO ADJUST, CLEAN AND TOUCH-UP ALL SYSTEM COMPONENTS AFTER INSTALLATION.
- G.C. TO PROVIDE WRAPPED AND LABELED MAINTENANCE STOCK OF NEW MATERIAL EQUAL TO TWO PERCENT (2%) OF CEILING PANELS AND SUSPENSION INSTALLED.
- LAY-IN LIGHTING FIXTURES SHALL NOT RELY ON THE CEILING SYSTEM ALONE FOR SUPPORT. LAY-IN LIGHTING FIXTURES SHALL BE SUPPORTED FROM THE STRUCTURE BY NO LESS THAN TWO HANGER WIRES AND SECURED TO THE CEILING GRID SYSTEM WITH THE APPROPRIATE SCREW HARDWARE.
- THE ELECTRICAL CONTRACTOR SHALL FURNISH AND INSTALL ALL REQUIRED ACCESSORIES, OPTIONS, MOUNTING HARDWARE, AND FIELD FABRICATION REQUIRED TO PROPERLY ADAPT THE FIXTURES TO THE SPECIFIC APPLICATIONS.
- ALL ELECTRICAL DEVICES SHALL BEAR THE U.L. LABEL.
- SEE ELECTRICAL DRAWINGS FOR ADDITIONAL REQUIREMENTS AND SPECIFICATIONS.
- BOTTOM OF PENDANT FIXTURES IN SOFFIT AREAS OVER COUNTER TO HAVE 1" CORD.
- SERVICE COUNTER SOFFIT TO MIMIC SHAPE OF SERVICE COUNTER AND BEVERAGE STATION BELOW.
- DINING AREAS TO HAVE BLACK CEILING TILE, BLACK GRID, & BLACK DIFFUSERS.
- G.C. TO COORDINATE EXACT LOCATION OF SPEAKERS WITH OWNER.

CEILING FINISH SCHEDULE

SYMB.	DESCRIPTION:	LOCATION:	NOTES:
ACT-1	Manufacturer: ARMSTRONG Material: 2x4 Ceiling Tile Color: BLACK Model #: CORTEGA 769NF	DINING AREA	PRELUDE ML 1/2" EXPOSED TEE, 7301 & ML7323 (BLACK)
ACT-2	Manufacturer: ARMSTRONG Material: 2x4 Ceiling Tile Color: WHITE Model #: CLEAN ROOM VL870	SERVICE	PRELUDE ML 1/2" EXPOSED TEE, 7301 & ML7323 (WHITE)
GYP-1	Manufacturer: Material: 5/8" GYP. BRD. Color: PAINT P-7, SEE FINISH SCHEDULE	RESTROOMS & SERVICE LINE	BULKHEAD FACES FINISHED P-5, SEE FINISH SCHEDULE

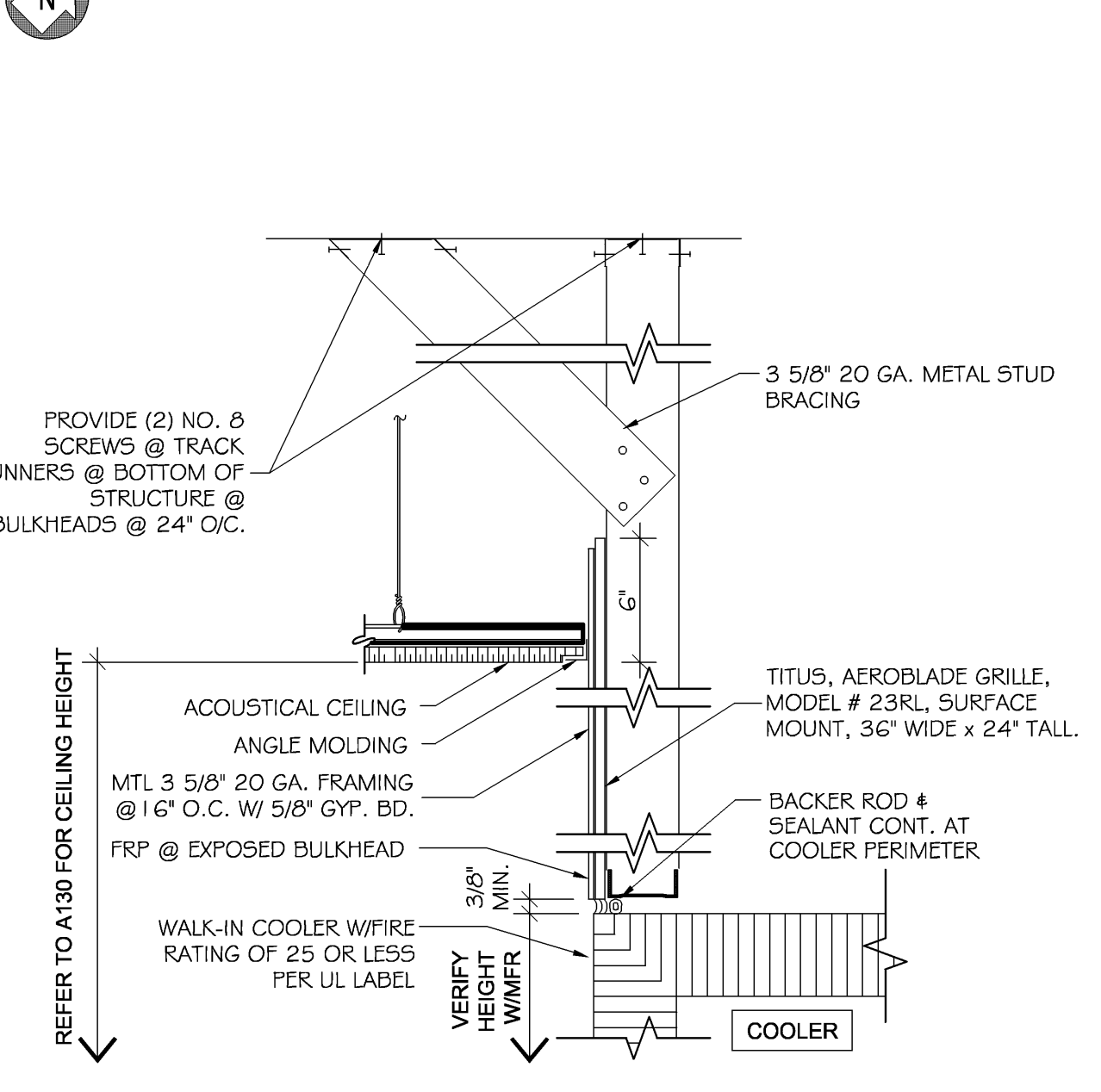
CODED NOTES

- HVAC CONTRACTOR TO INSTALL EXHAUST HOODS PER LOCAL CODES AND REQUIREMENTS. INSTALL REQUIRED LIGHTS IN HOOD - SEE MECHANICAL DRAWINGS
- RESTROOM EXHAUST FAN - SEE MECHANICAL PLANS

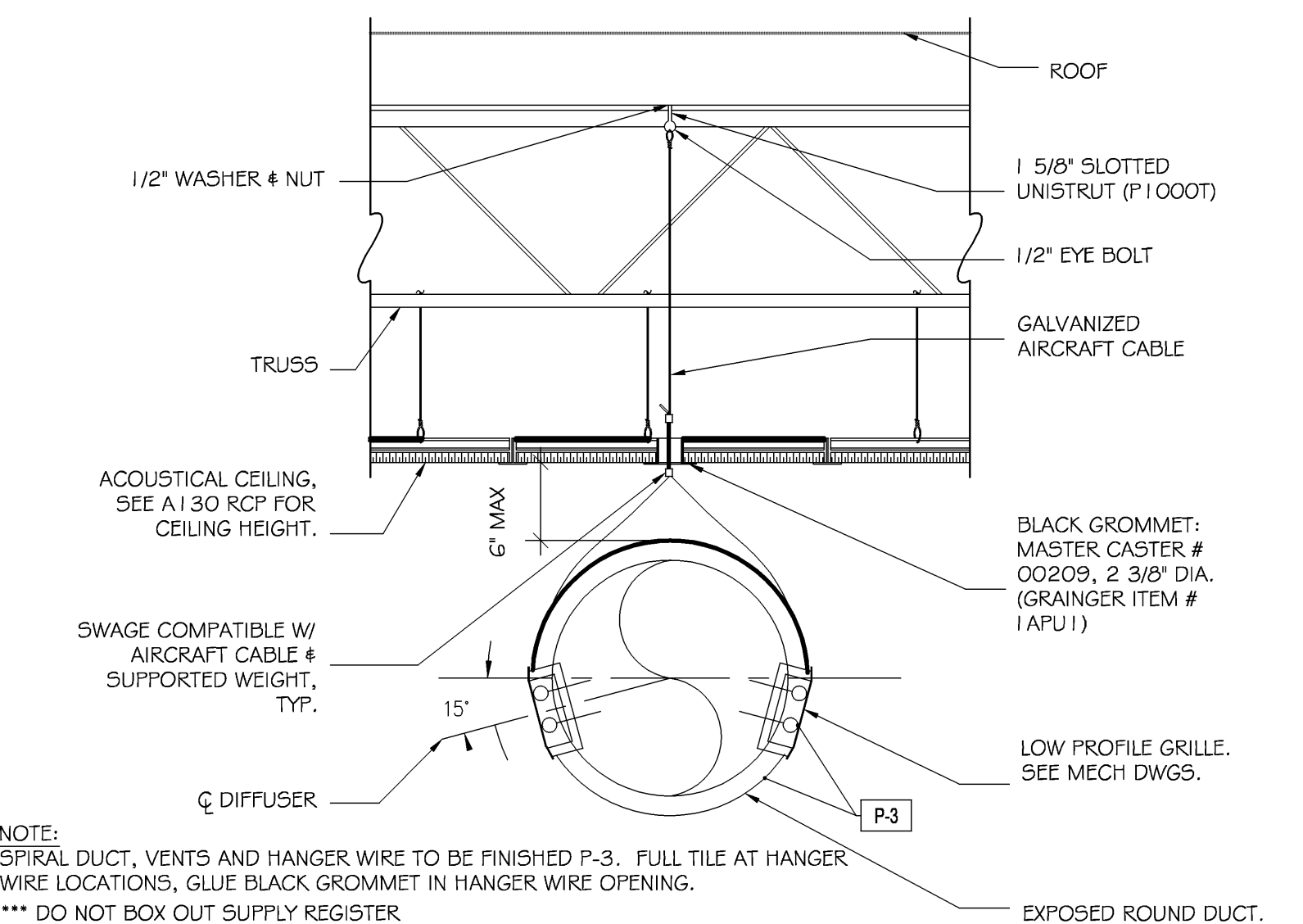


B4 DUCT HANGING AND FINISH DETAIL N.T.S.

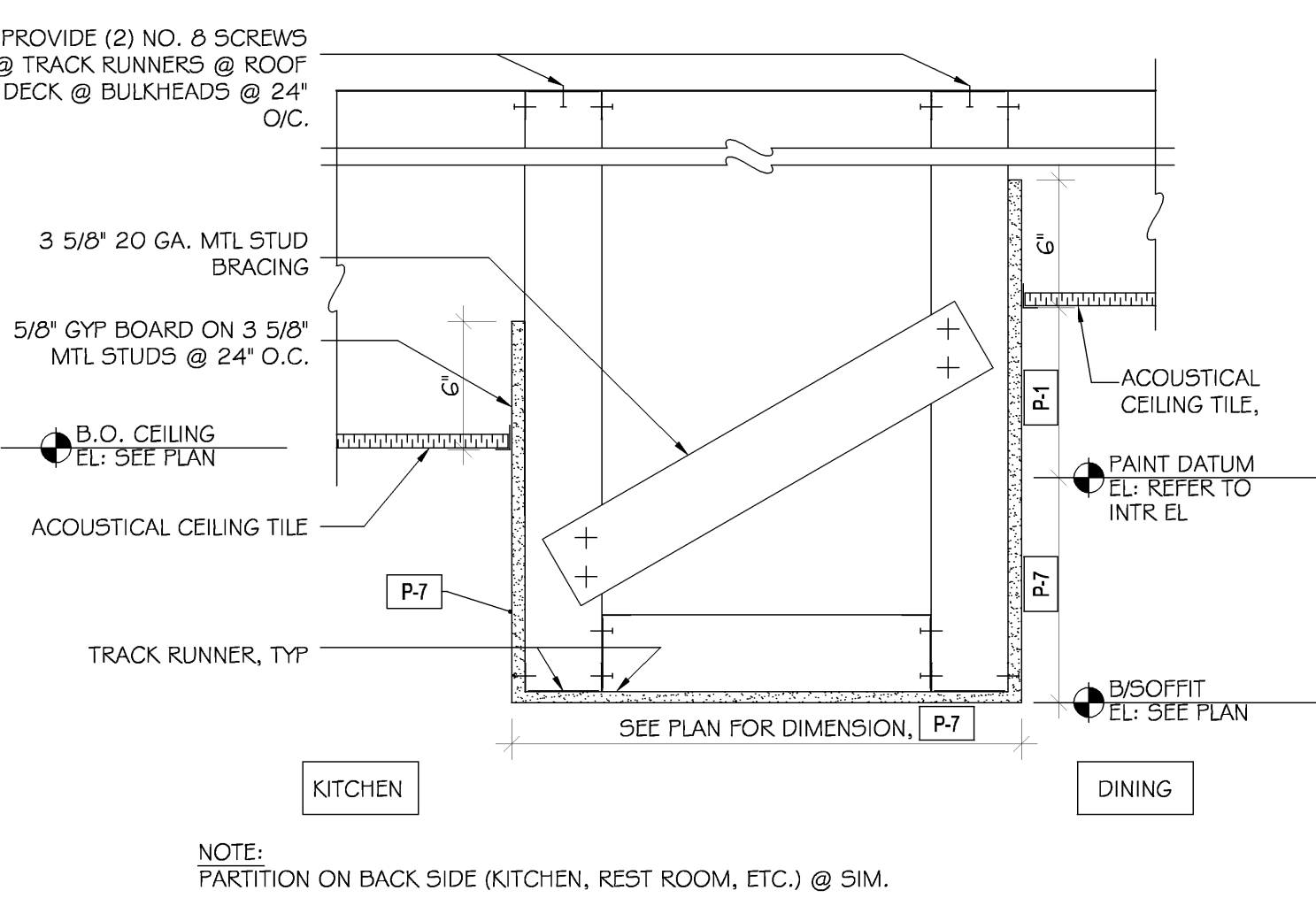
REFLECTED CEILING PLAN



A1 CEILING TRANSITION AT WALK IN COOLER N.T.S.



A2 DUCT HANGING AND FINISH DETAIL N.T.S.



A3 RECEPTION BULKHEAD 1 1/2\"/>

LINLEDESIGNGROUP, INC.
158 WEST MAIN STREET
LENA, IL 61048
PHONE: 815.859.1155
FAX: 815.859.0405
WWW.LINLEDESIGN.COM



© ALL DRAWINGS AND WRITTEN MATERIAL CONTAINED HEREIN ARE THE PROPERTY OF THE LINLE DESIGN GROUP, INC. THEY MAY NOT BE REPRODUCED, COPIED, REPRODUCED, OR DISCLOSED IN ANY MANNER WITHOUT WRITTEN AUTHORIZATION FROM THE ARCHITECT.

FIVE GUYS
BURGERS and FRIES
425 FORE STREET
PORTLAND, MAINE 04101-4396

REVISIONS	DATE	DESCRIPTION
1	12/15/2010	ISSUED FOR PERMIT
2	01/22/2011	REVISED PER L.L. MUNICIPAL & CORP. COMMENTS
3	02/02/2011	ISSUED FOR CONSTRUCTION

PROJECT NUMBER:	10-1033
DRAWN BY:	SRM
CHECKED BY:	BVE

SHEET TITLE:
REFLECTED CEILING PLAN

SHEET NUMBER:
A130