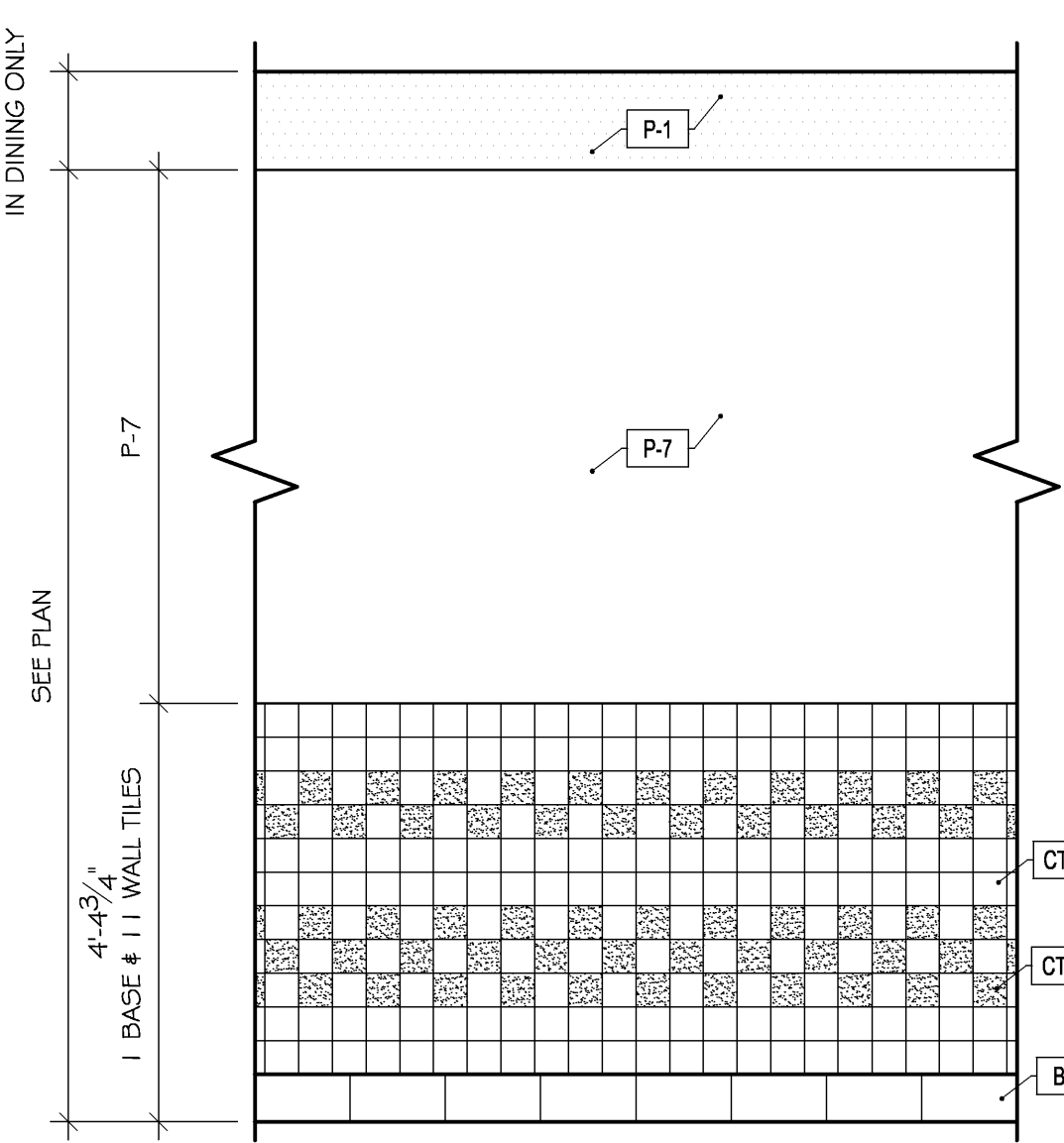


INTERIOR FINISH PLAN

SCALE: 1/4" = 1'-0"



NOTE: TILE PATTERN TO BE ON ALL WALLS IN DINING, REST ROOMS AND ALL AREAS VISIBLE TO PATRONS. ALL SHEETING BEHIND TILES TO BE 5/8" DUROCK. ALL SHEETING BEHIND PAINTED SURFACES TO BE 5/8" GYPSUM BOARD. ALL SHEETING IN RESTROOMS TO BE MOISTURE RESISTANT. FULL TILES START AT BOTTOM. BULLNOSE TOP TILE AT ALL WALLS. CUT TILE AT TOP @ MILLWORK. TILE TO WRAP ONTO SILL UP TO MULLIONS AT STOREFRONT KNEE WALL, WHERE APPLICABLE.
WALL TILE INSTALLATION NOTE: WALL TILE HAS BUILT-IN LUGS TO PROVIDE SPACING. NO SPACERS ARE REQ'D.

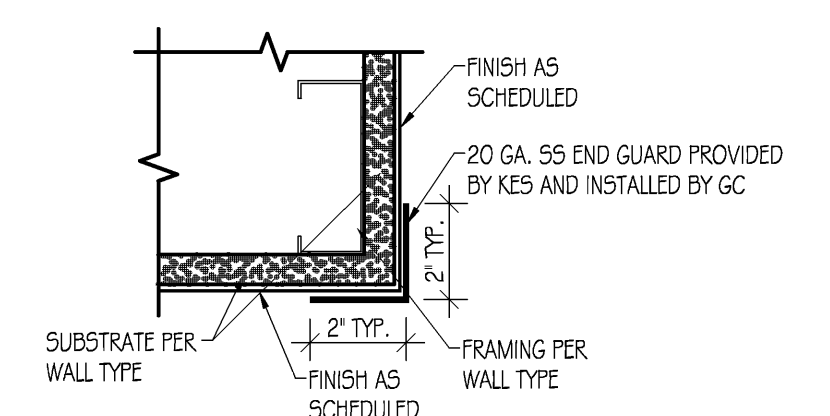
C3 TYPICAL WALL FINISH DETAIL

FINISH SCHEDULE							
FINISH	DESCRIPTION	FINISH NO.	MANUFACTURER	MANUFACTURER NO.	COLOR	TYPE	REMARKS
BASE	QUARRY TILE BASE	B-1	CREATIVE MATERIALS CORPORATION	-	CMC GRAY QUARRY DBL. ABRASIVE	COVE	KITCHEN, SERVICE
	PORCELAIN TILE BASE	B-2	CREATIVE MATERIALS CORPORATION	P506	CMC PIOMBO	6"x12" STRAIGHT TEXTURED	CUT FROM 12 x 12 TILE W/ FACTORY EDGE FACING UP
	PORCELAIN TILE BASE (ALTERNATE)	B-3	CREATIVE MATERIALS CORPORATION	1091775 COVEBASE	BLACK	6" X6" COVE	ALTERNATE COVE BASE WHERE REQUIRED BY CODE ONLY.
FLOOR	QUARRY TILE	QT-1	CREATIVE MATERIALS CORPORATION	-	CMC GRAY QUARRY DBL. ABRASIVE	6 x 6	KITCHEN, SERVICE COEFFICIENT OF FRICTION: -DRY= 1.25 -WET= 1.03
	PORCELAIN TILE	PT-1	CREATIVE MATERIALS CORPORATION	P506	CMC PIOMBO	12" X 12" TEXTURED	COEFFICIENT OF FRICTION: -DRY= 0.83 -WET= .76
	PORCELAIN TILE (ALTERNATE)	PT-2	CREATIVE MATERIALS CORPORATION	8700029	CMC ODINO	12" X 12" TEXTURED	DINING COEFFICIENT OF FRICTION: -DRY= 0.93 -WET= .76
GROUT	WATERPROOFING	PT-3	LATICRETE	9235			ALL WET WALLS & DEMISING WALLS
	PORCELAIN TILE GROUT	GR-1	HYDROMENT	H142	FRENCH GRAY	SANDED	DINING, VESTIBULE, RESTROOMS - 1/2" GROUT JOINT
	QUARRY TILE GROUT	GR-2	HYDROMENT	H151	TAUPE	SANDED	KITCHEN, SERVICE - 1/2" GROUT JOINT
MILLWORK	WALL TILE GROUT	GR-3	HYDROMENT	H152	WHITE	UNSANDED	DINING, SERVICE - 1/2" GROUT JOINT
	SERVICE COUNTER LAMINATE	PL-1	FORMICA	839-56	STOP RED	MATTE	SERVICE COUNTER & CABINET LAMINATE
	MANAGER'S DESK LAMINATE	PL-2	FORMICA	459-56	BRIGHT WHITE	MATTE	MANAGER'S DESK & SHELVES LAMINATE
PAINT	SERVICE COUNTER	C-1	CORIAN	-	HOT	(C)	SERVICE COUNTER
	INTERIOR PAINT (CEILING, DINING WALLS)	P-1	SHERWIN WILLIAMS	FIVE GUYS BLACK	FIVE GUYS BLACK	ACRYLIC SEMI-GLOSS	COAT 1: 5-W PREPRITE 200 INT. LATEX PRIMER, B28W200. COAT 2 AND 3: 5-W DTM ACRYLIC SEMI-GLOSS COATING, B66W104.
	EXTERIOR PAINT (WALLS)	P-2	SHERWIN WILLIAMS	FIVE GUYS BLACK	FIVE GUYS BLACK	ACRYLIC SATIN	COAT 1: EXTERIOR SATIN LOXON BONDING PRIMER. COAT 2 AND 3: EXTERIOR BONDPLEX ACRYLIC SATIN COATING.
	INTERIOR PAINT (METAL - GALVANIZED)	P-3	SHERWIN WILLIAMS	FIVE GUYS TILE RED	FIVE GUYS TILE RED	ACRYLIC GLOSS	COAT 1: 5-W DTM ACRYLIC PRIMER/FINISH, B66W104. COAT 2 AND 3: 5-W DTM ACRYLIC GLOSS COATING, B66T104.
	INTERIOR PAINT (METAL - IRON, STEEL)	P-4	SHERWIN WILLIAMS	FIVE GUYS TILE RED	FIVE GUYS TILE RED	ACRYLIC GLOSS	COAT 1: 5-W KEM BOND H5 UNIVERSAL METAL PRIMER, B502 SERIES. COAT 2 AND 3: 5-W DTM ACRYLIC GLOSS COATING, B66T104.
	INTERIOR PAINT (WOOD)	P-5	SHERWIN WILLIAMS	FIVE GUYS TILE RED	FIVE GUYS TILE RED	ACRYLIC GLOSS	COAT 1: 5-W PREPRITE CLASSIC LATEX PRIMER, B28W101. COAT 2 AND 3: 5-W DTM ACRYLIC GLOSS COATING, B66T104.
	EXTERIOR PAINT (WALLS)	P-6	SHERWIN WILLIAMS	FIVE GUYS RED	FIVE GUYS RED	ACRYLIC SATIN	COAT 1: EXTERIOR SATIN LOXON BONDING PRIMER. COAT 2 AND 3: EXTERIOR BONDPLEX ACRYLIC SATIN COATING.
	INTERIOR PAINT (CEILING, WALLS)	P-7	SHERWIN WILLIAMS	FIVE GUYS TILE WHITE	FIVE GUYS TILE WHITE	EGGSHELL SATIN	COAT 1: 5-W PREPRITE 200 INT. LATEX PRIMER, B28W200. COAT 2 AND 3: 5-W DURATION HOME SATIN, A97W151.
	EXTERIOR PAINT (WALLS)	P-8	SHERWIN WILLIAMS	FIVE GUYS WHITE	FIVE GUYS WHITE	ACRYLIC SATIN	COAT 1: EXTERIOR SATIN LOXON BONDING PRIMER. COAT 2 AND 3: EXTERIOR BONDPLEX ACRYLIC SATIN COATING.
	INTERIOR PAINT (CMU & CONCRETE)	P-9	H+C CONCRETE STAINS	H+C BLOCK SHIELD MASONRY WATERPROOFER	WHITE	TEXTURED	CONTRACTOR TO PROVIDE STAINLESS STEEL OUTSIDE CORNERS IN DINING & AT TYPICAL TILE WALL FINISH.
WALLS	OUTSIDE CORNER GUARDS	-	SCHLUTER SYSTEMS	SCHLUTER-RONDEC EVROBOE	STAINLESS STEEL	-	CONTRACTOR TO PROVIDE STAINLESS STEEL OUTSIDE CORNERS IN DINING & AT TYPICAL TILE WALL FINISH.
	FIELD TILE	CT-2	CREATIVE MATERIALS CORPORATION	-	WHITE	4 1/4 x 4 1/4 GLOSSY	BULLNOSE TRIM, DINING, SERVICE
	ACCENT TILE	CT-3	CREATIVE MATERIALS CORPORATION	-	RED	4 1/4 x 4 1/4 GLOSSY	DINING, SERVICE
	FIBERGLASS REINFORCED PLASTIC	FRP	CRANE	GLASSBOARD-P	WHITE (B5)	EMBOSSSED CLASS C	KITCHEN
	STAINLESS STEEL	SS	CUSTOM	-	STAINLESS STEEL FINISH #4	1 1/2 GA	FULL HEIGHT PANELS IN KITCHEN (NOTE: MARSHALL AIR PROVIDES STAINLESS STEEL BEHIND HOOD)

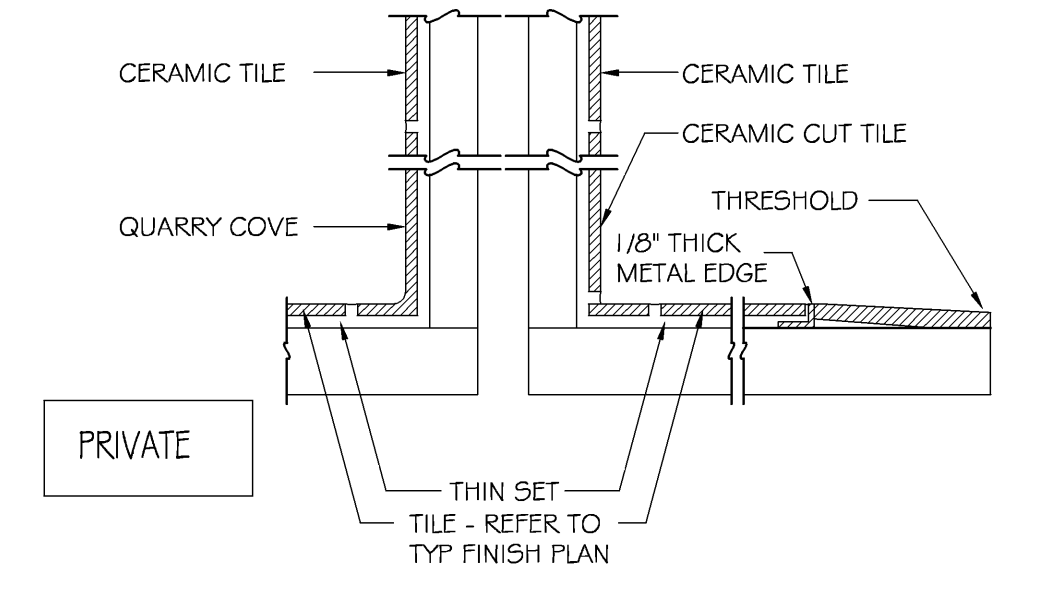
NOTE: NATIONAL ACCOUNT FOR TILE AND GROUT: CREATIVE MATERIALS CORPORATION, ATTN: SCOTT BOCKETTI (516) 713-5366, SBCKETTI@CREATIVEMATERIALSCORP.COM
 NATIONAL ACCOUNT FOR PAINT: SHERWIN-WILLIAMS, ATTN: QUANG TRAN (703) 926-6120, SWREP6376@SHERWIN.COM, ACCT# 9399-6905-7

CALCULATED FLOORING AREA	
FINISH TYPE	AREA
PT-1	± 1515 S.F.
QT-1	± 884 S.F.

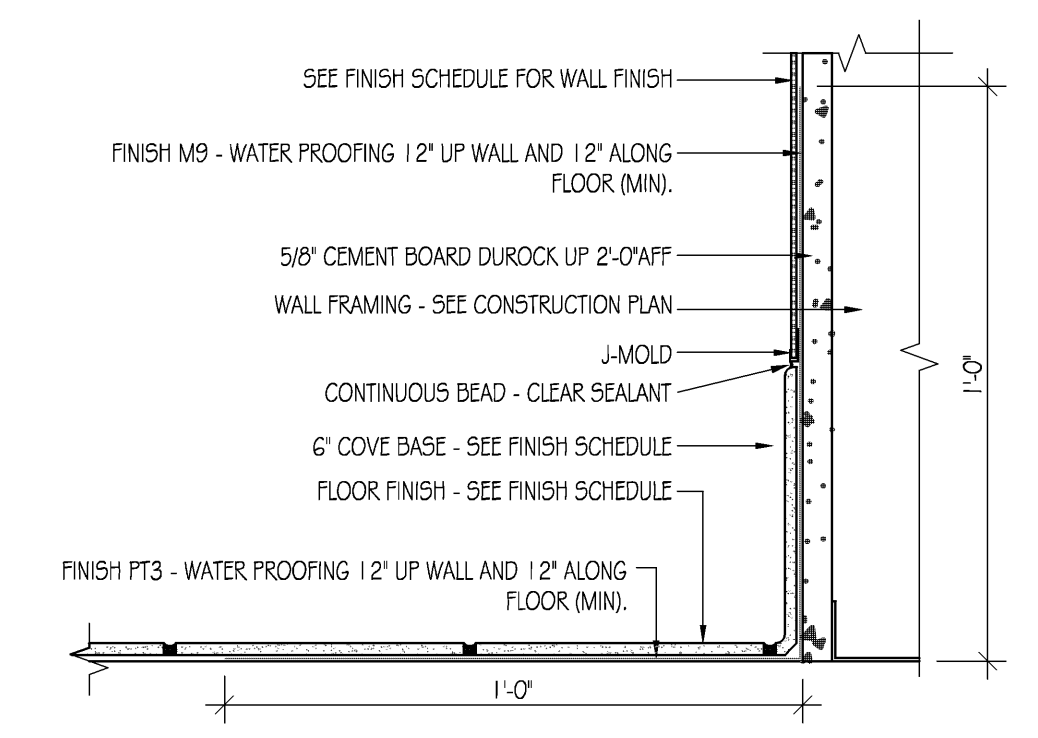
NOTE: AREAS ABOVE ARE CALCULATED AREAS AND DO NOT ACCOUNT FOR UNIT DIMENSIONS. G.C. TO ADJUST BID TO ACCOUNT FOR UNIT DIMENSIONS.



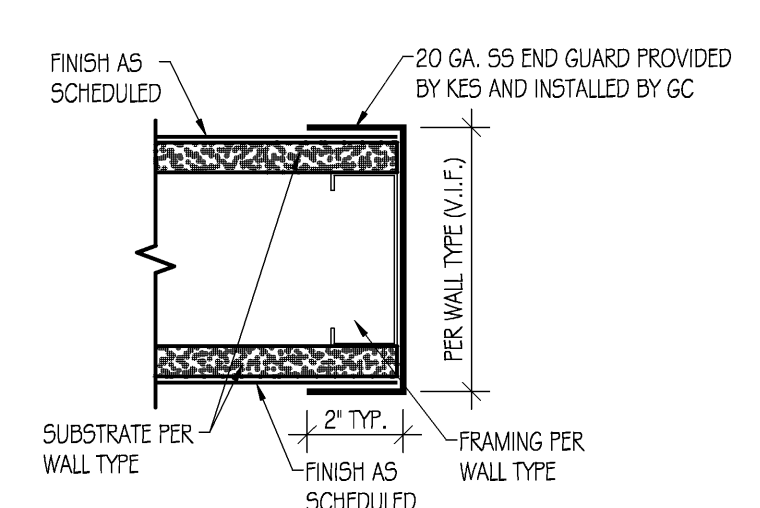
A1 TYP. SS CORNER CAP DETAIL



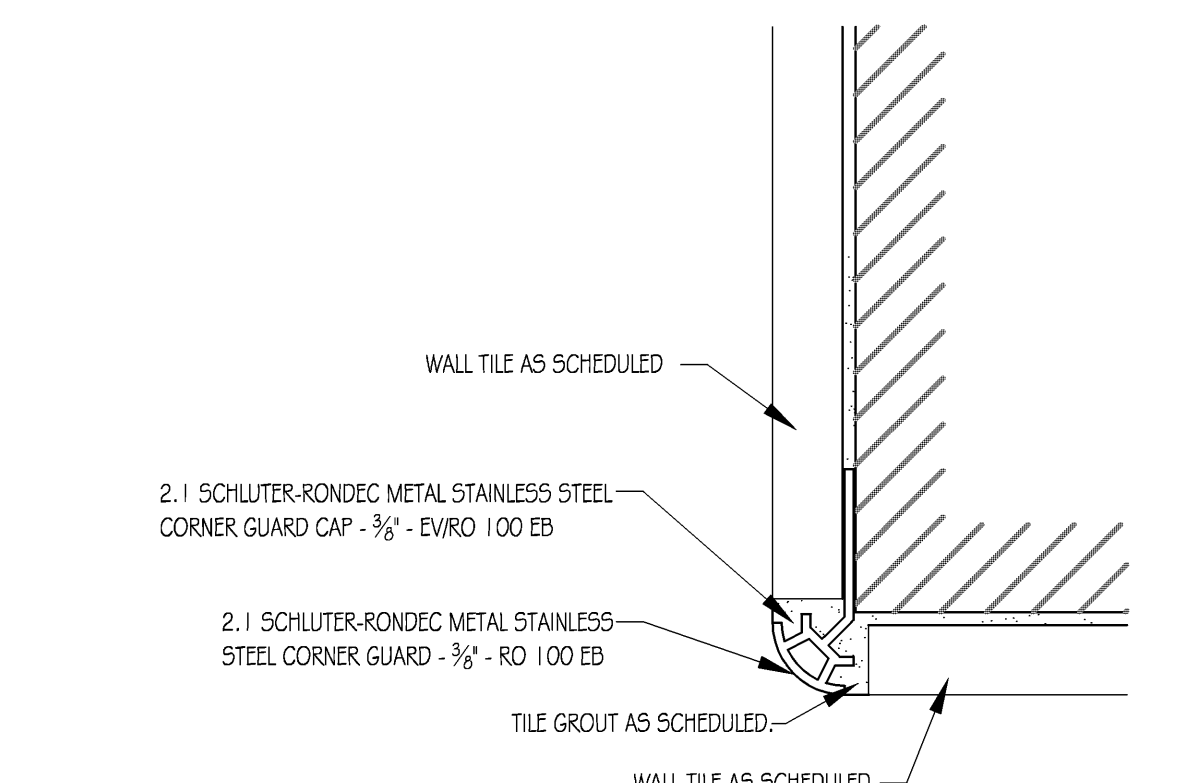
A2 TYP. COVE AND TRANSITION DETAIL



A3 WATERPROOF DETAIL @ WALL



A4 TYP. SS END CAP DETAIL



A5 TYP. TILE CORNER DETAIL



ALL DRAWINGS AND WRITTEN MATERIAL CONTAINED HEREIN ARE THE PROPERTY OF THE LINLE DESIGN GROUP, INC. THEY MAY NOT BE REPRODUCED, COPIED, REUSED, OR DISCLOSED IN ANY MANNER WITHOUT WRITTEN AUTHORIZATION FROM THE ARCHITECT.

FIVE GUYS
 BURGERS and FRIES
 425 FORE STREET
 PORTLAND, MAINE 04101-4996

REVISIONS:
 # DATE DESCRIPTION
 1 12/16/2010 ISSUED FOR PERMIT
 2 07/27/2011 REVISED PER L.L. MUNICIPAL & CORP. COMMENTS
 3 02/02/2011 ISSUED FOR CONSTRUCTION

PROJECT NUMBER: 10-1033
 DRAWN BY: SRM
 CHECKED BY: BVE

SHEET TITLE:
FINISH PLAN

SHEET NUMBER:
A120