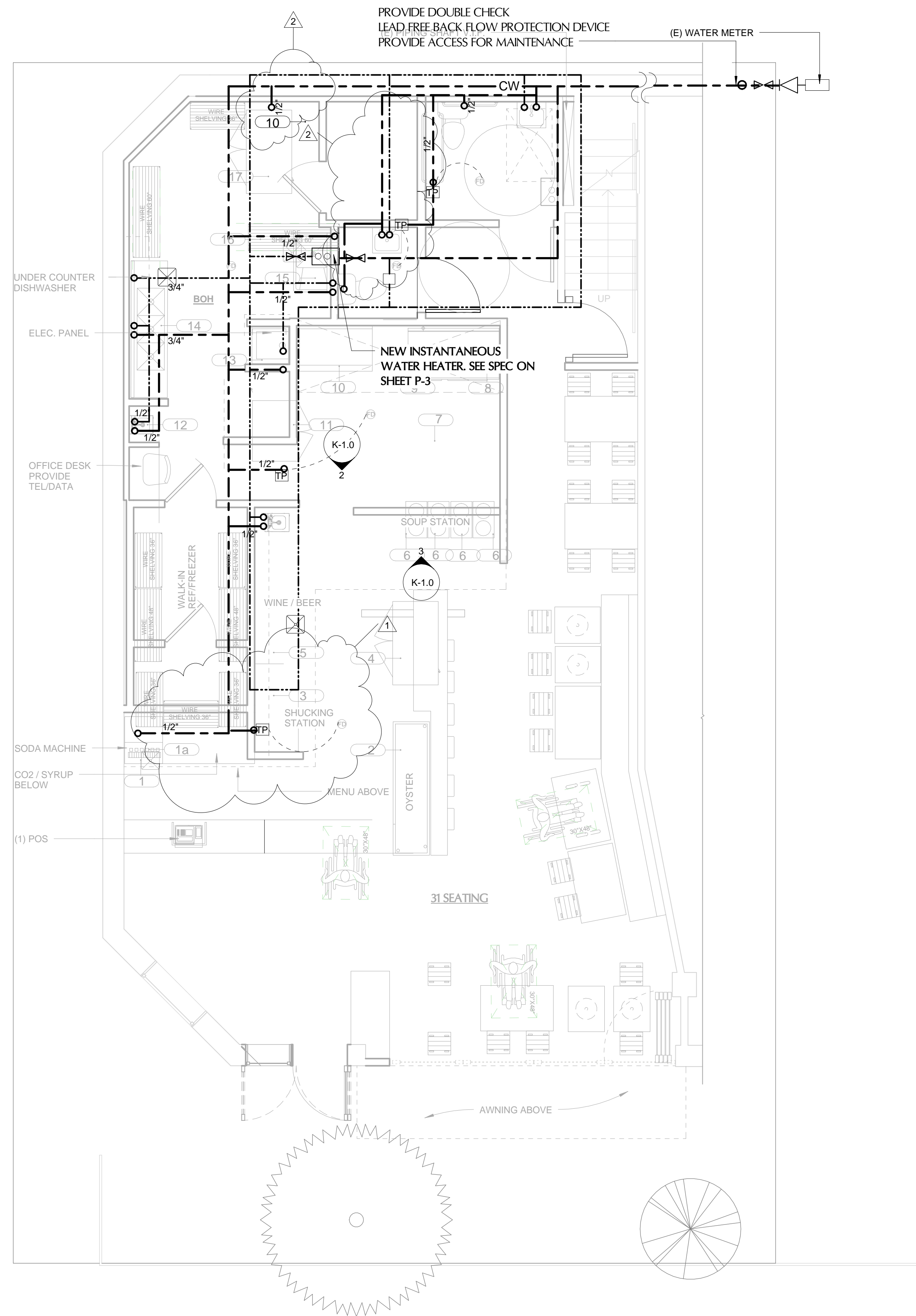
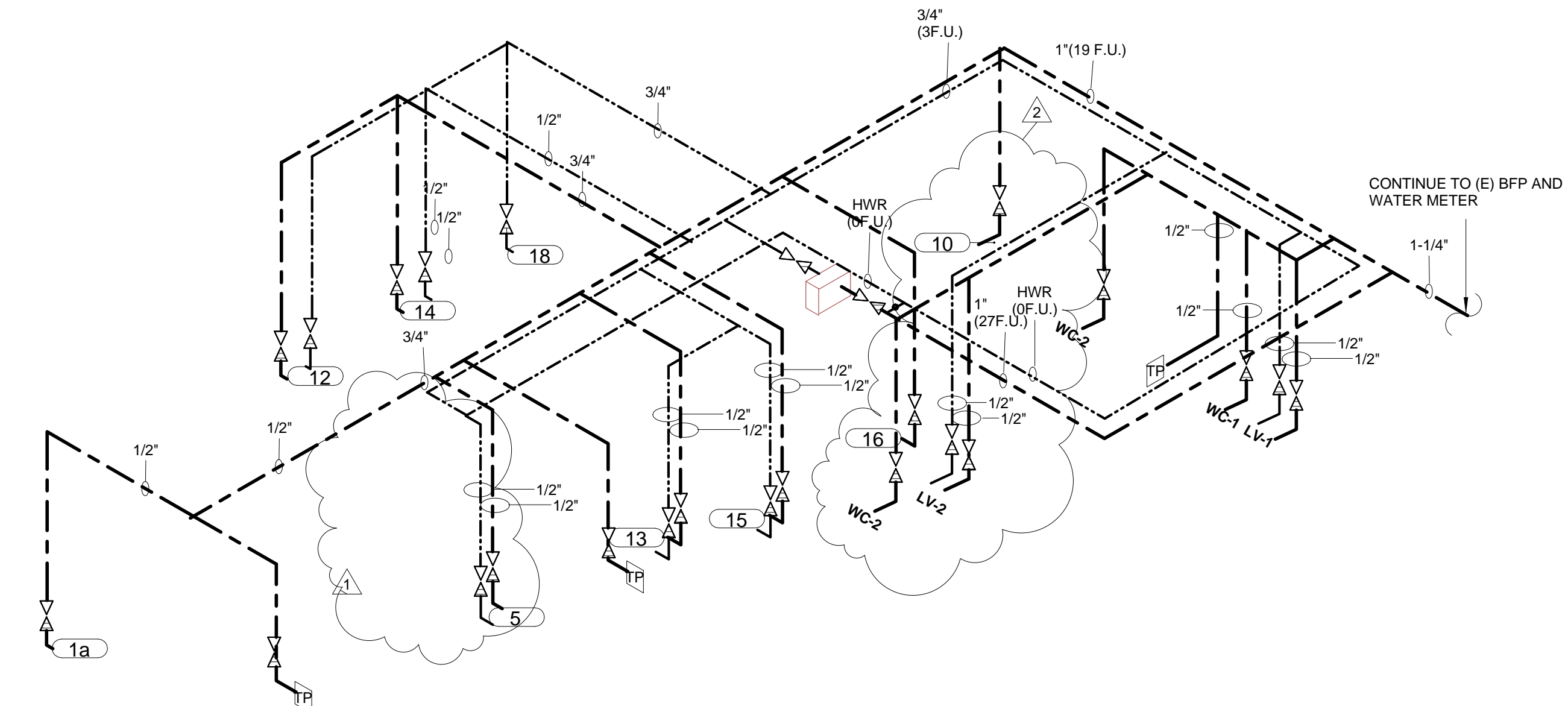


REVISION	
Revision 1	9-23-2015
Revision 2	4-10-2017



① DOMESTIC WATER LINE DIAGRAM  
1/4" = 1'-0"



② DOMESTIC WATER RISER DIAGRAM  
1/4" = 1'-0"

**Tenant Improvement  
Old Port Lobster Shack**  
425 FORE STREET  
PORTLAND ME

PROJECT NUMBER	150101
DRAWN	Author
CHECKED	Checker
DATE	
SCALE	

DOMESTIC WATER LINE DIAGRAM

P-2.1