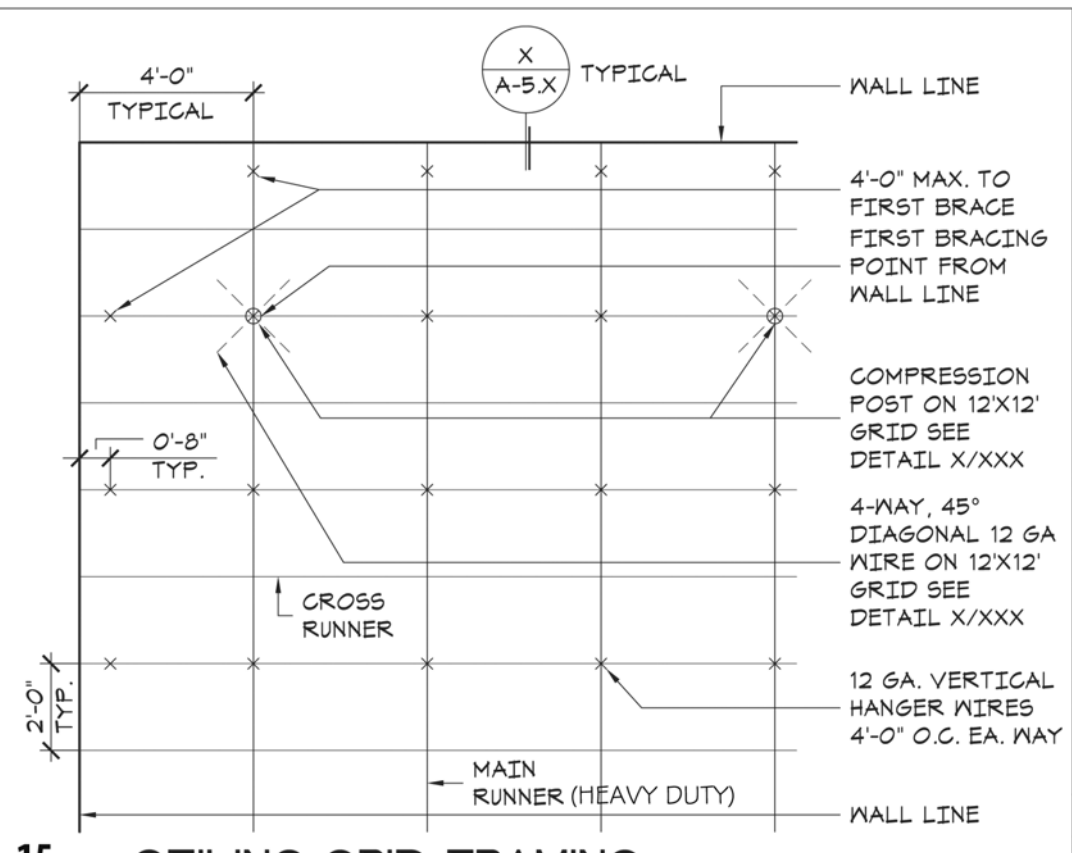
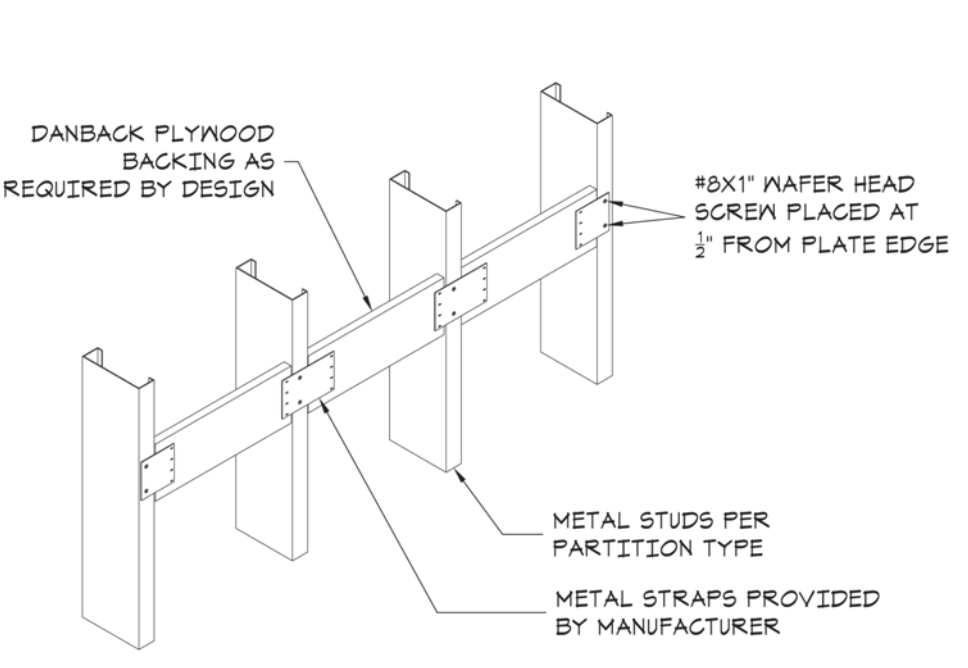


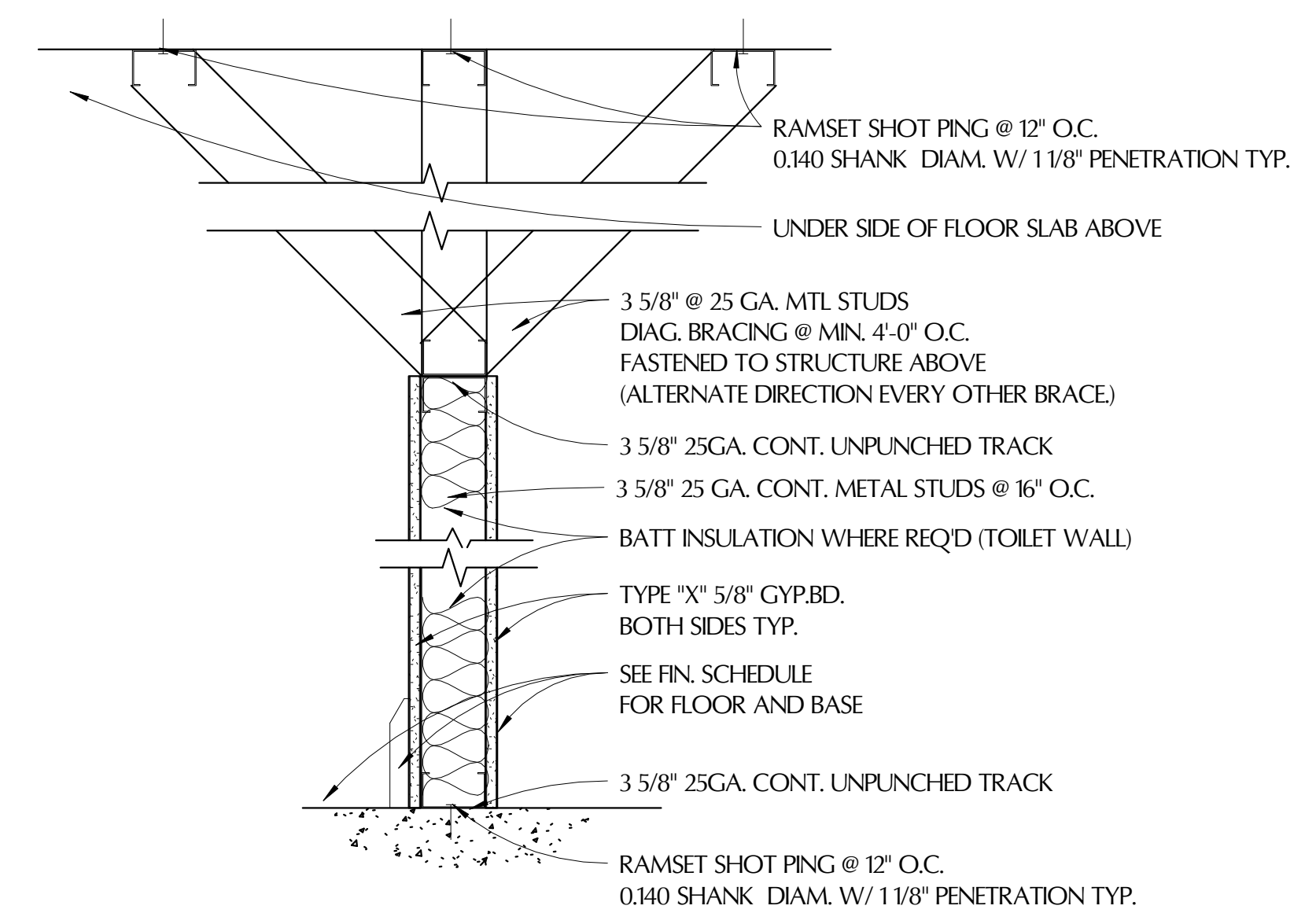
19 - BRACING WIRE ATTACHMENT
3"=1'-0"



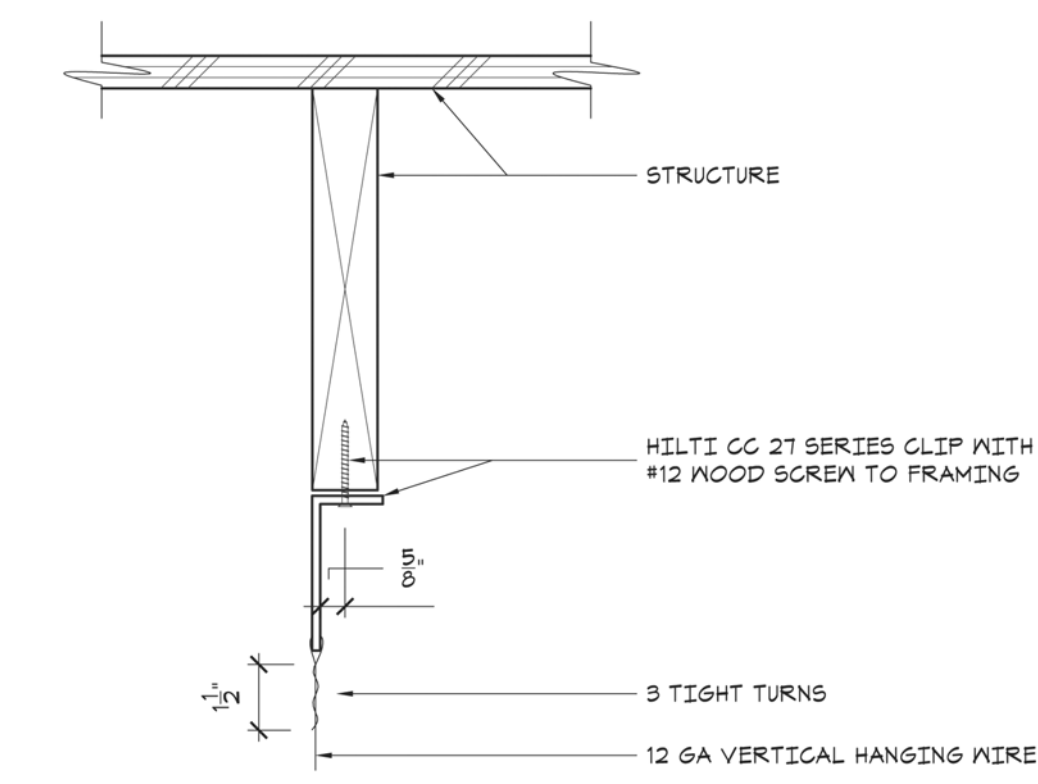
15 - CEILING GRID FRAMING
1/4"=1'-0"



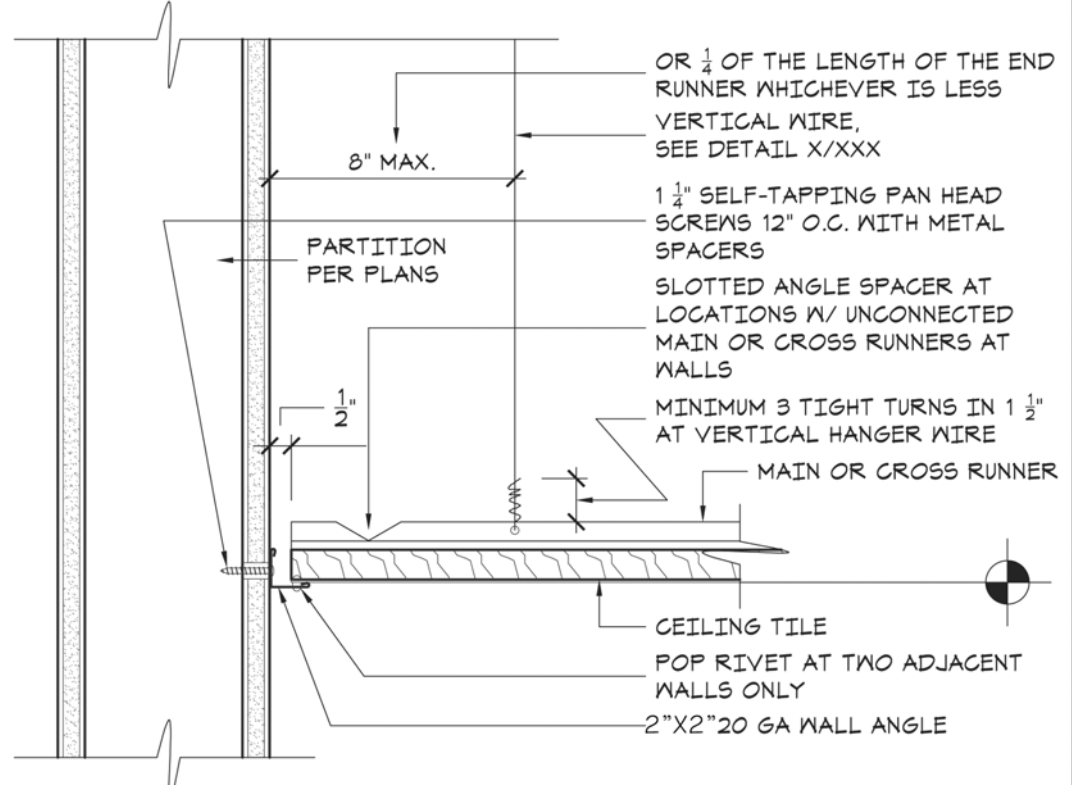
12 - MANUFACTURER'S BACKING DETAIL
DETACHED OR EQUAL NTS



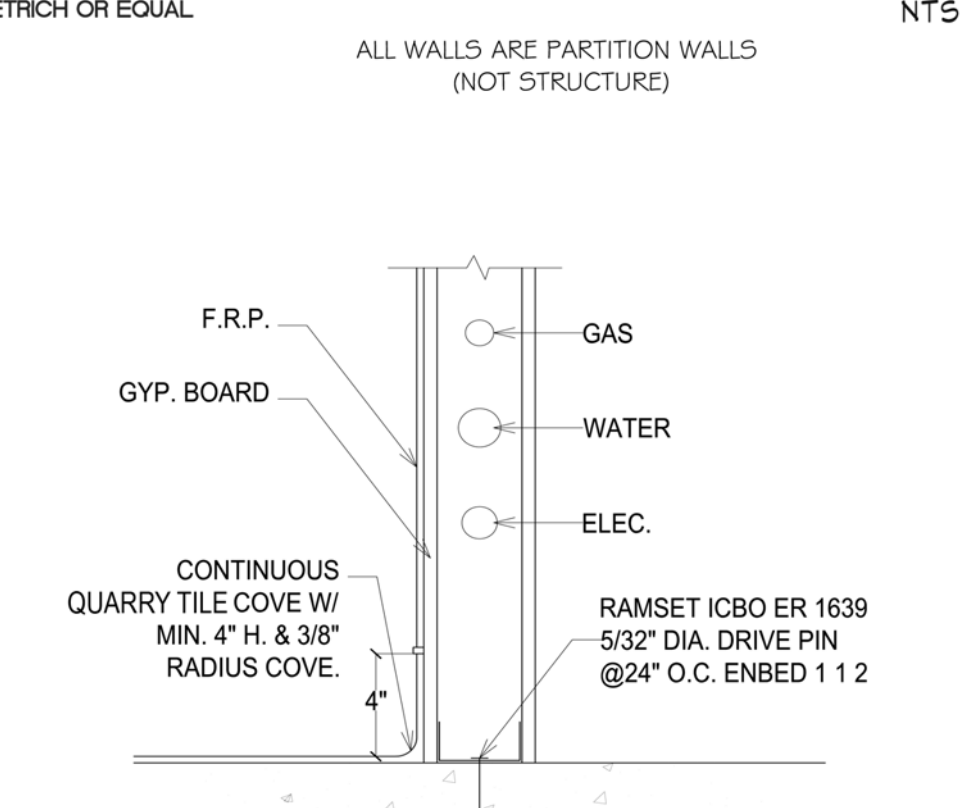
1 TYPICAL GYP. BD. PARTITION DETAIL
1 1/2" = 1'-0"



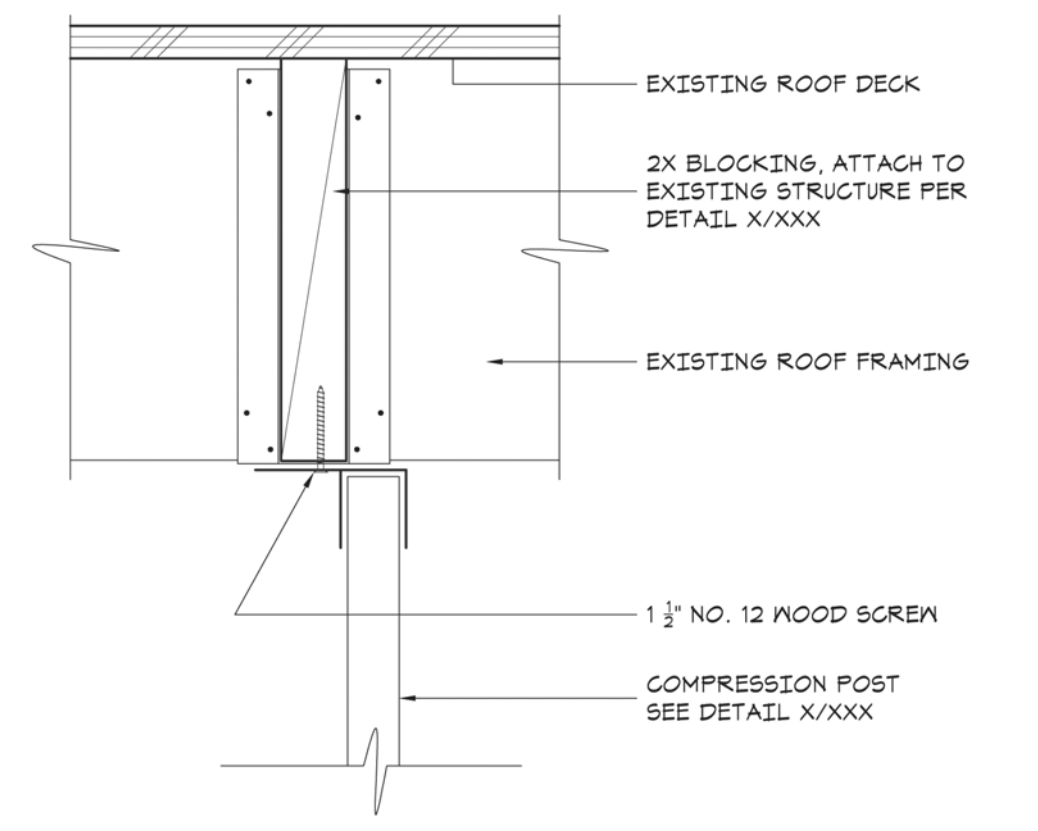
18 - VERTICAL HANGING WIRE ATTACHMENT
3"=1'-0"



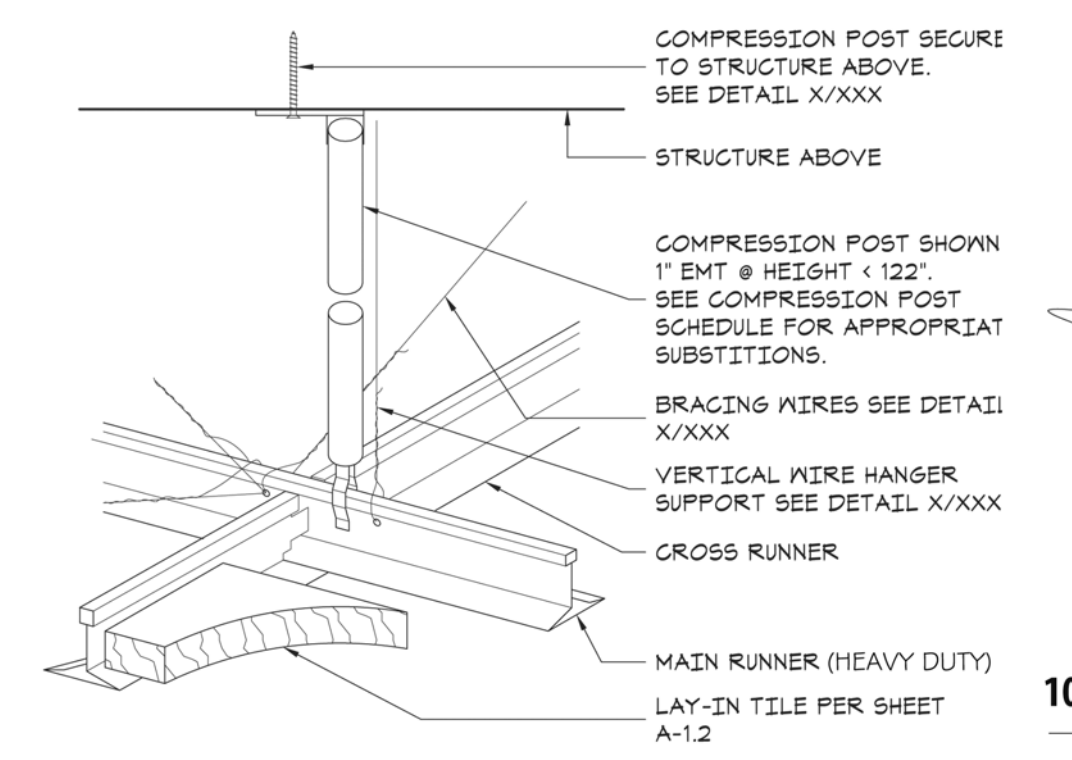
14 - CEILING AT WALL
3"=1'-0"



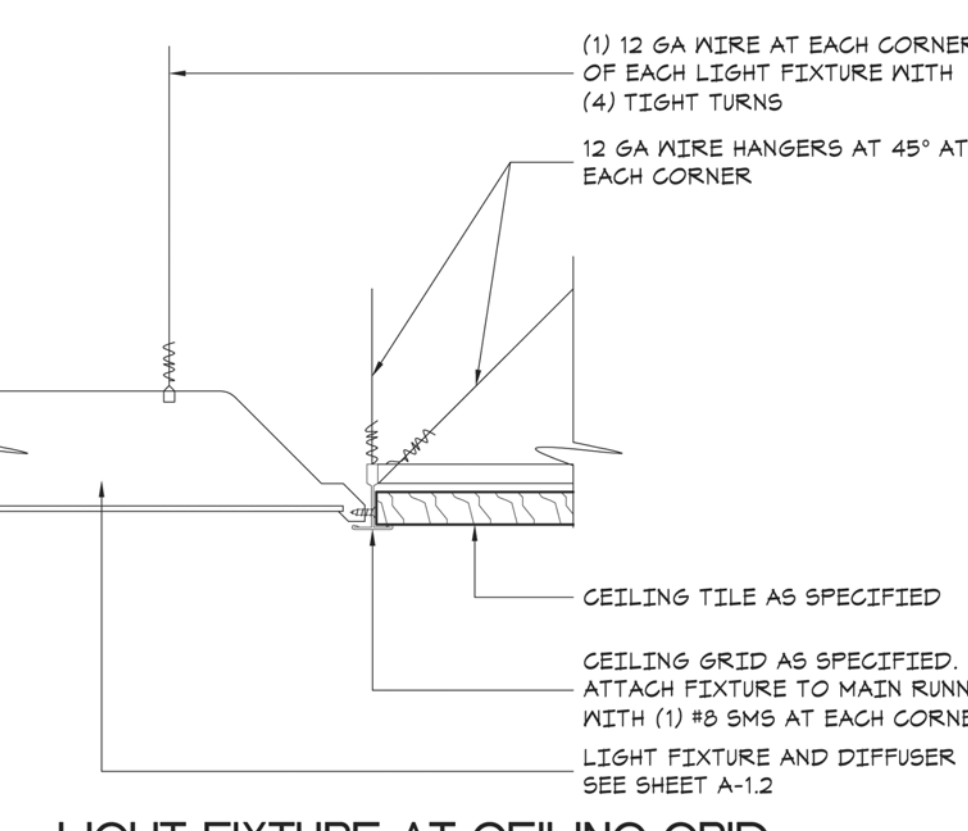
20 - SECTION OF TYP. WALL DETAIL
NTS



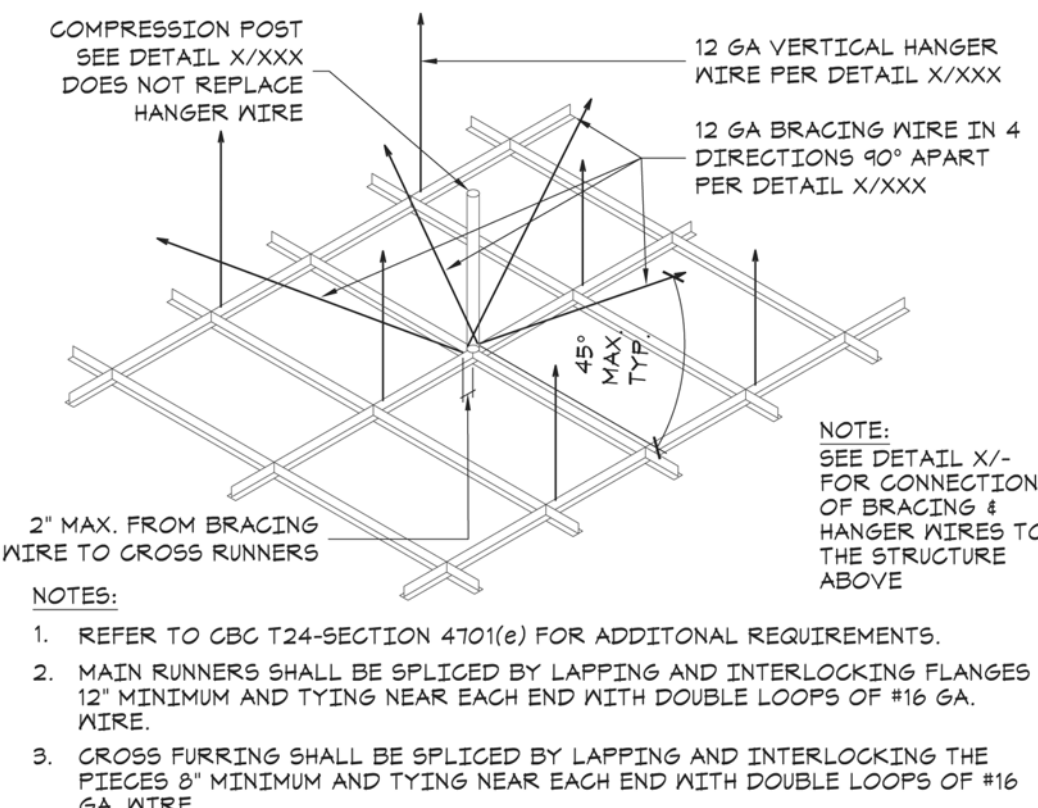
17 - COMPRESSION POST ATTACHMENT
3"=1'-0"



13 - INSTALLATION AT COMPRESSION STRUT
NTS



10 - LIGHT FIXTURE AT CEILING GRID
3"=1'-0"



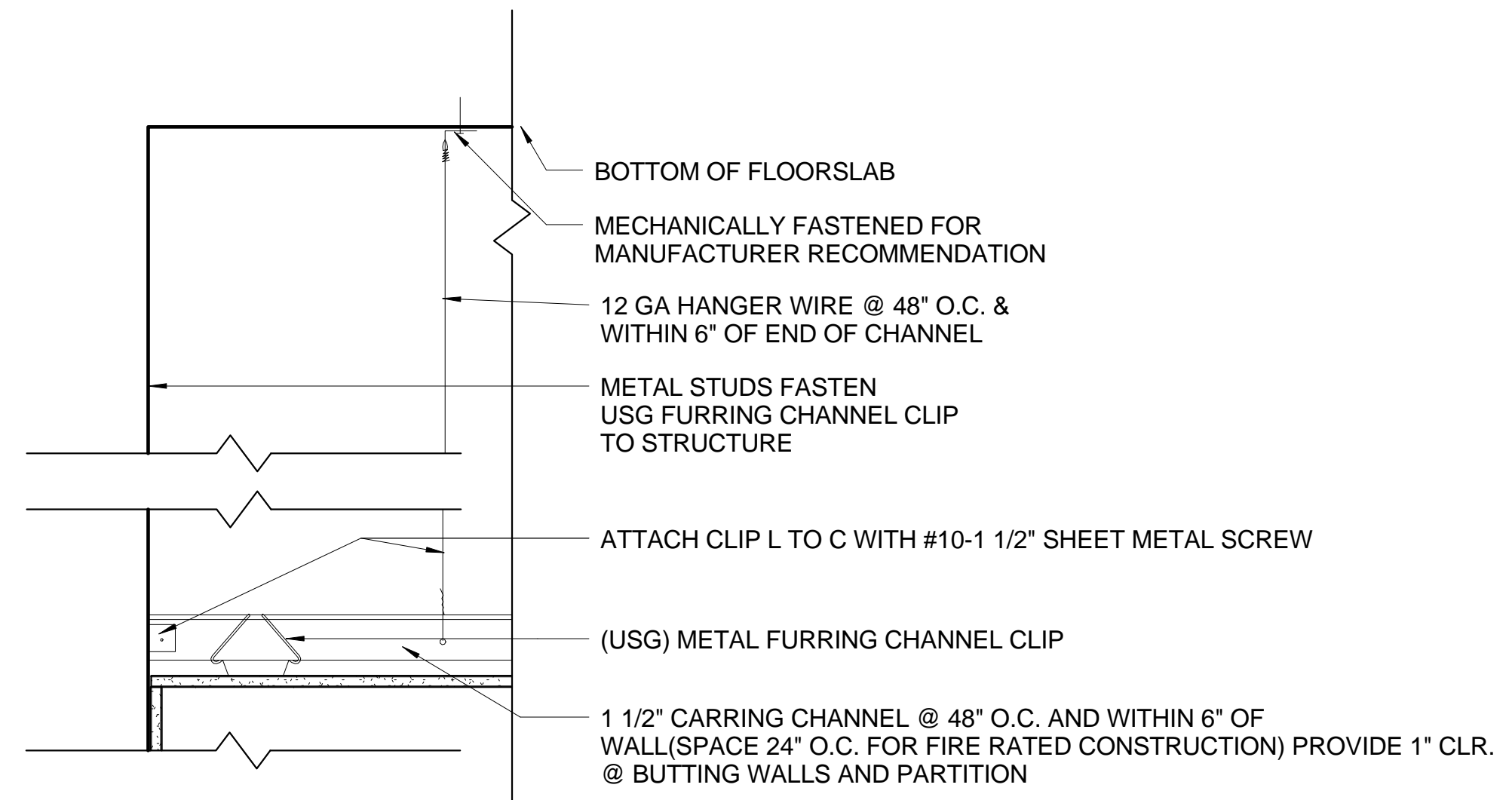
16 - DIAGRAMATIC ATTACHMENT
NTS

COMPRESSION STRUT SCHEDULE:

SINGLE MEMBER	MAXIMUM HEIGHT	COMMENT
1" EMT PIPE	122"	1" EMT PIPE: 1.189" O.D., .081" WALL THICKNESS, r=1.69201, L/r RATIO @ 1:200 MAX: 200/1.69201 = 122.54"
25 GA X 2-1/2"	84"	
25 GA X 3-1/2"	81"	
20 GA X 1-5/8"	121"	
20 GA X 2-1/2"	121"	
20 GA X 3-1/2"	91"	

DOUBLE MEMBER	MAXIMUM HEIGHT	COMMENT
25 GA X 2-1/2"	202"	
25 GA X 3-1/2"	212"	
20 GA X 1-5/8"	158"	
20 GA X 2-1/2"	201"	
20 GA X 2-1/2"	213"	
20 GA X 6"	324"	

13 - INSTALLATION AT COMPRESSION STRUT
NTS



3 BYP. BD. CEIL. / SUSPENDED GYP. BD. CEIL.
1 1/2" = 1'-0"

Tenant Improvement
Old Port Lobster Shack
425 FORE STREET
PORTLAND ME

PROJECT NUMBER	150101
DRAWN	Author
CHECKED	Checker
DAT E	
SCALE	

FRAMING / T-BAR CEILING / FLOOR PENETRATION DETAILS