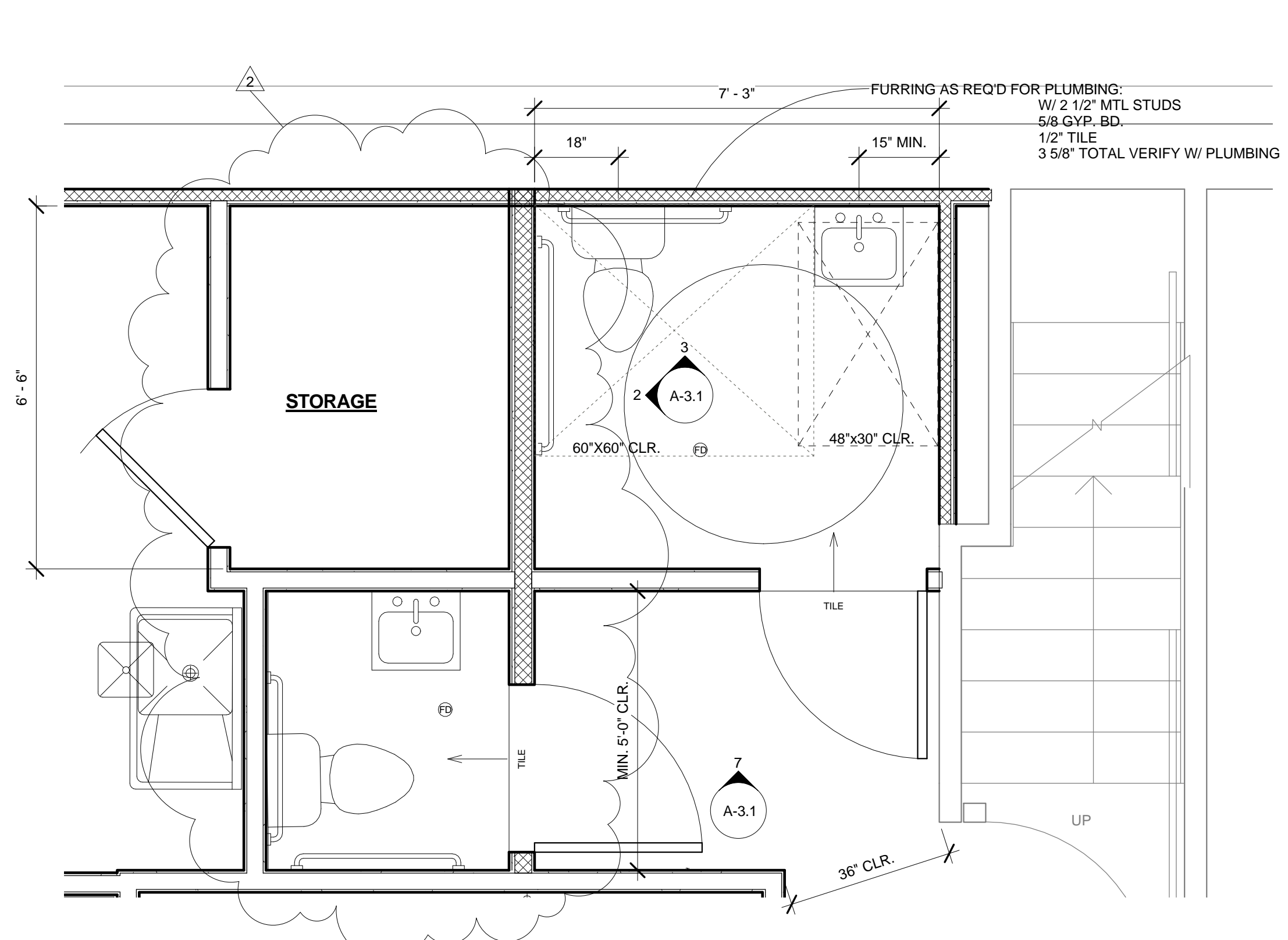
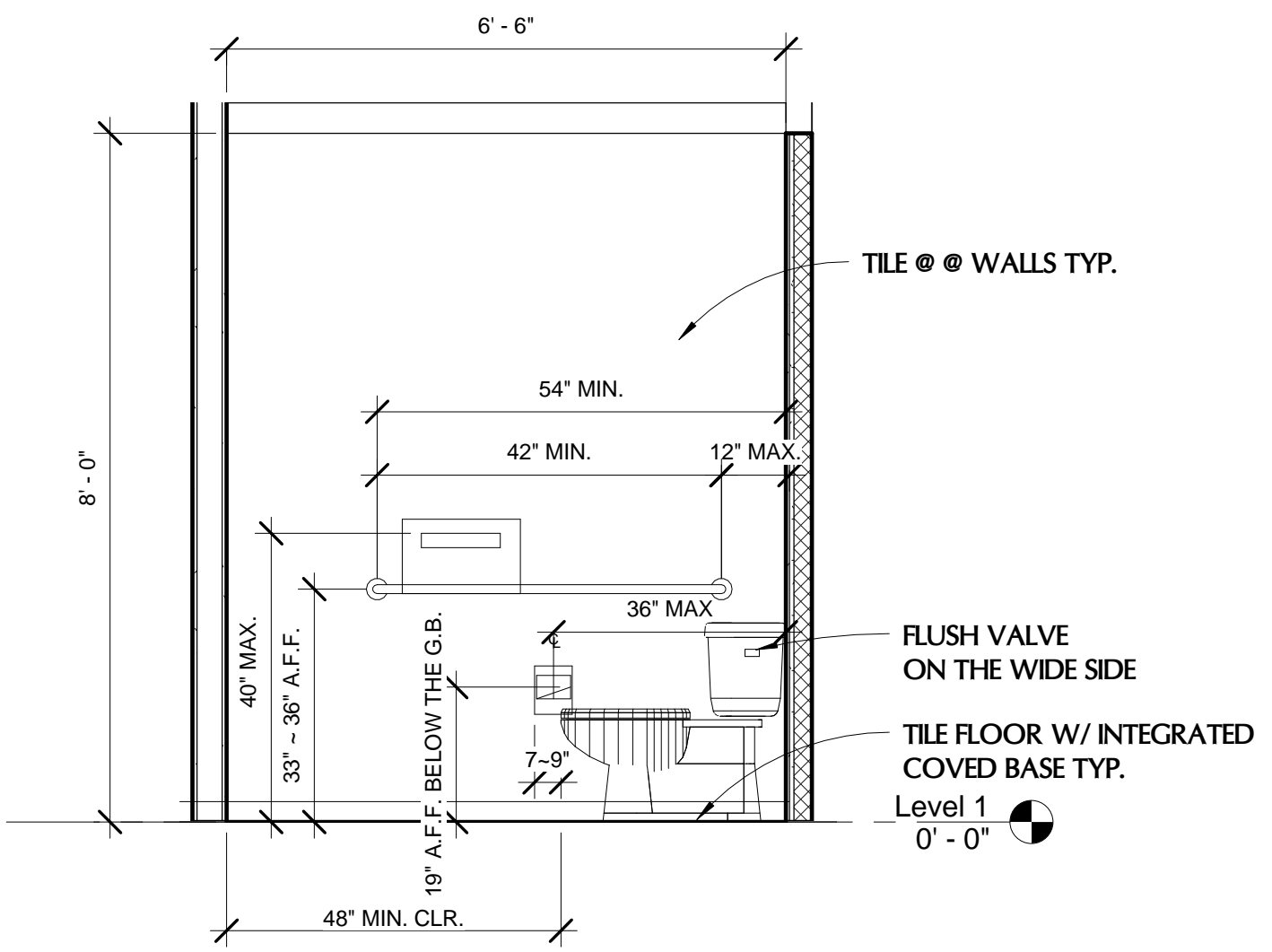


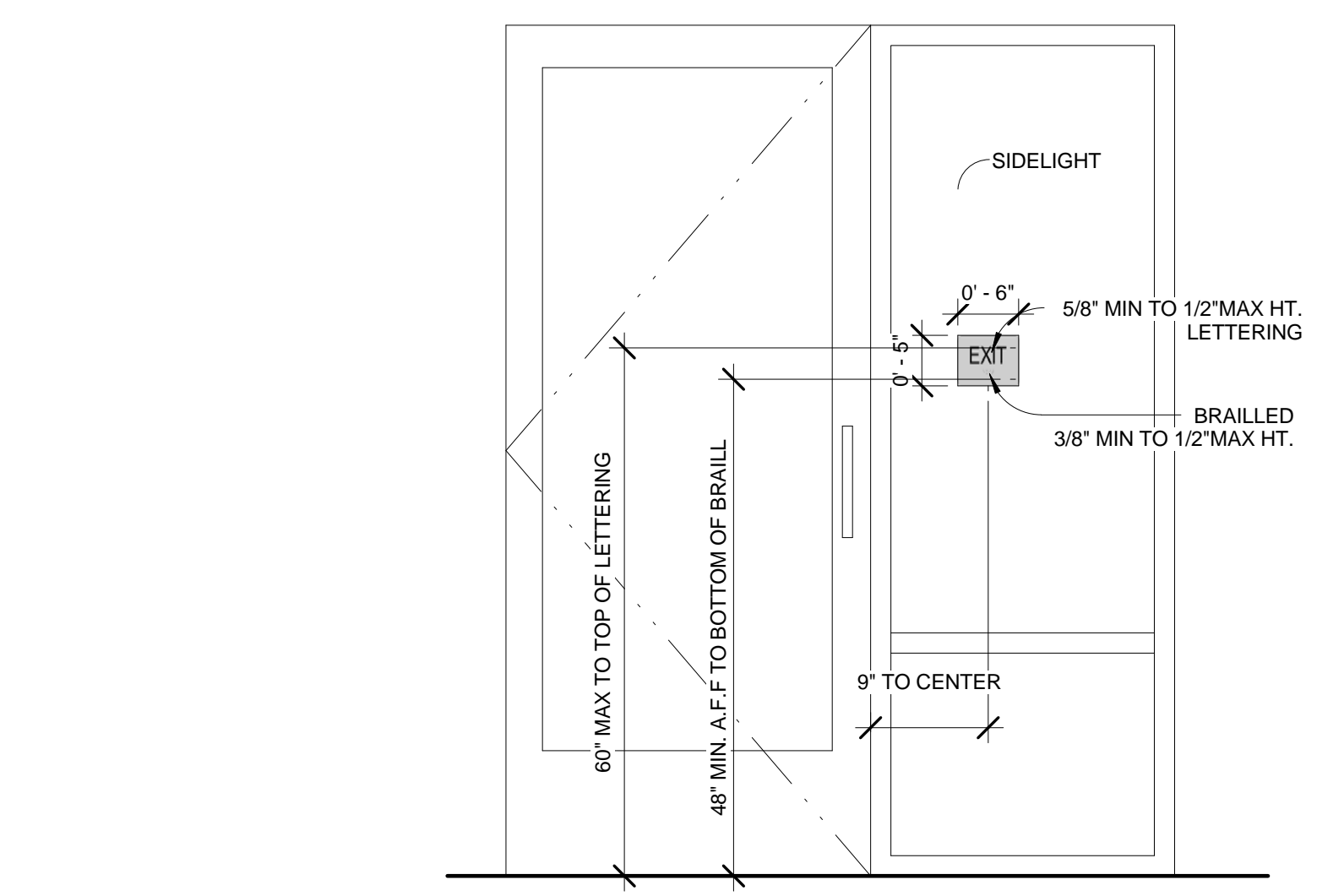
REVISION	
Revision 2	4-10-2017



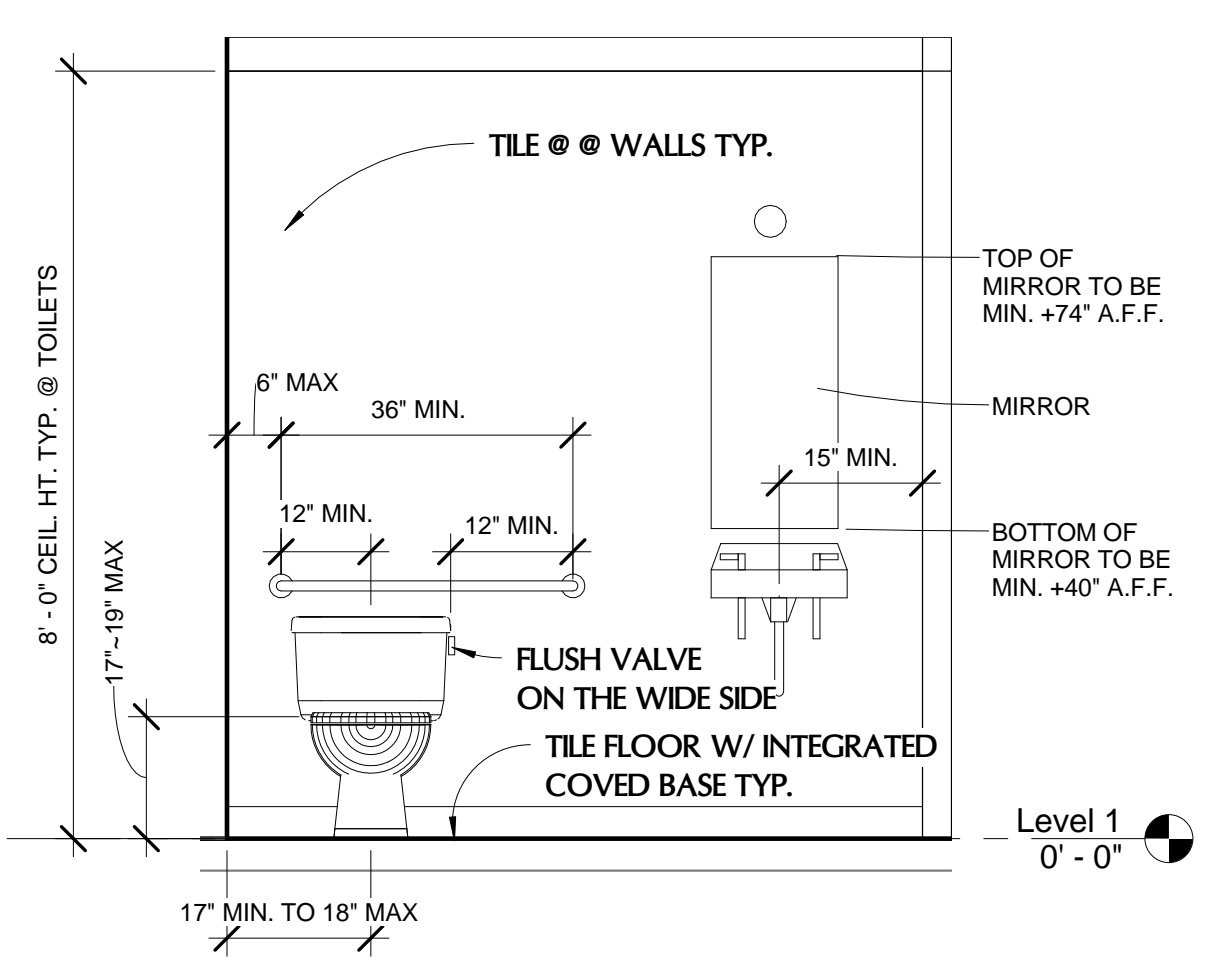
1 TOILETS PLAN
1/2" = 1'-0"



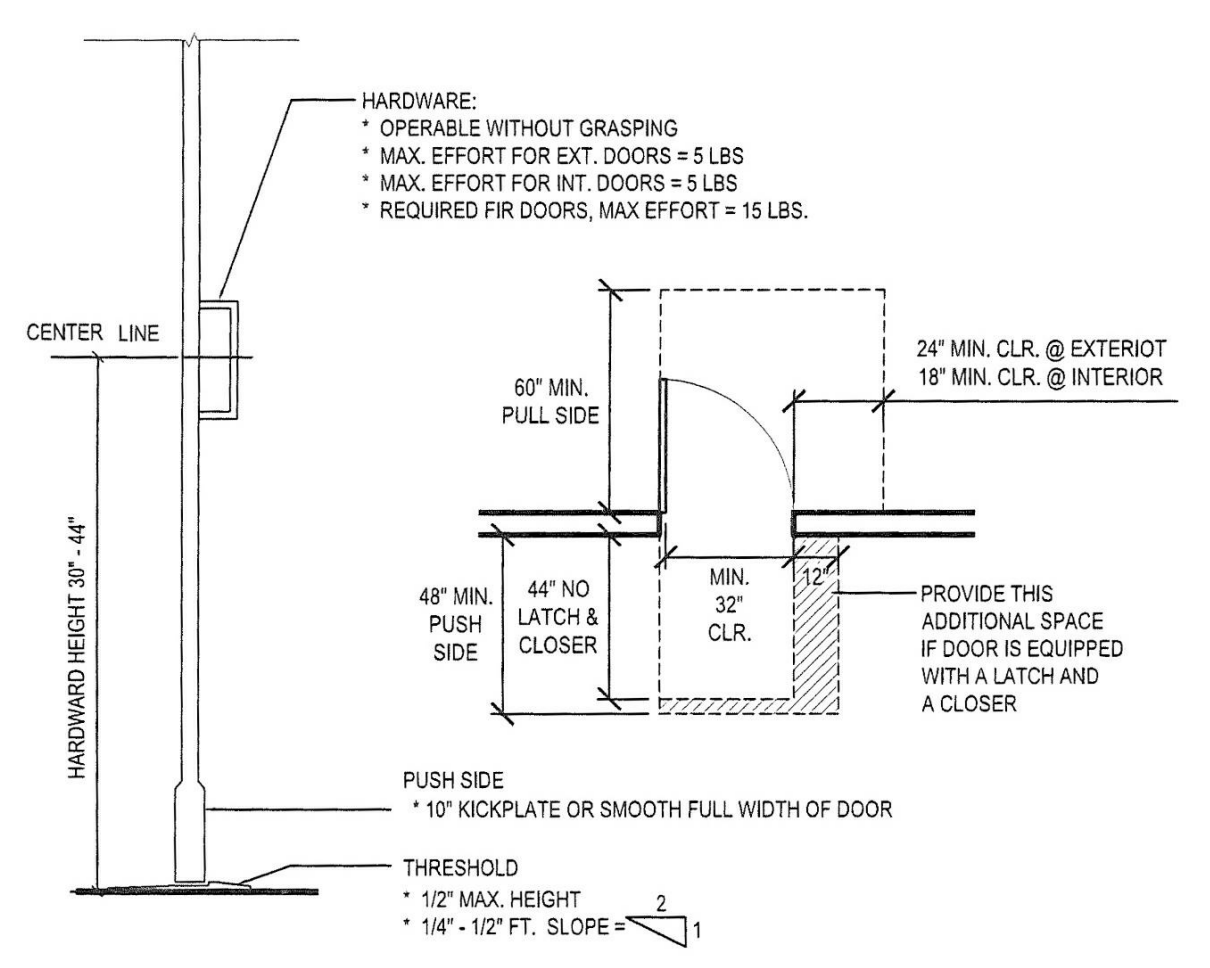
2 Elevation 1 - a
1/2" = 1'-0"



8 TACTILE EGRESS SIGNAGE
3/4" = 1'-0"

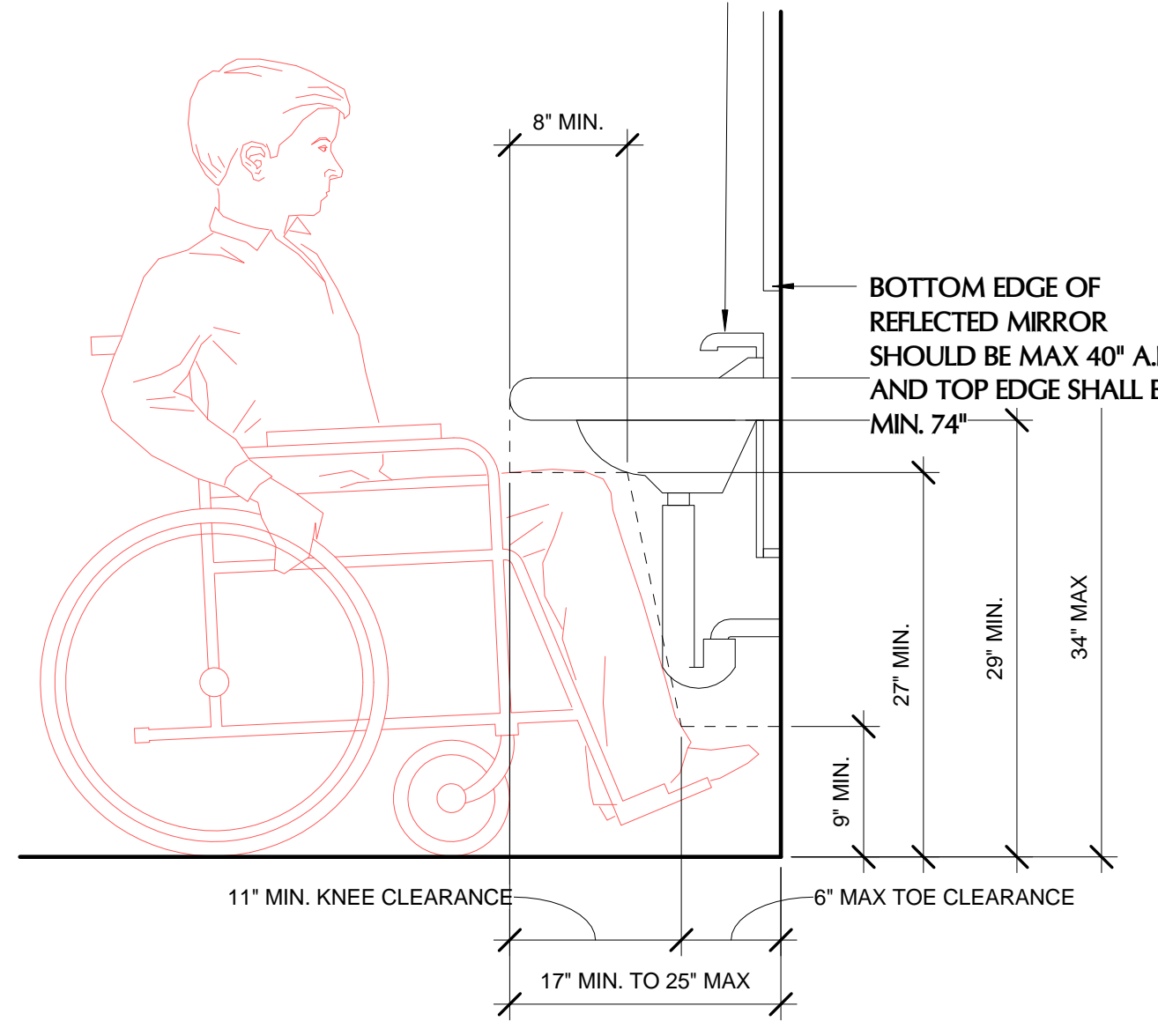


3 Elevation 1 - b
1/2" = 1'-0"

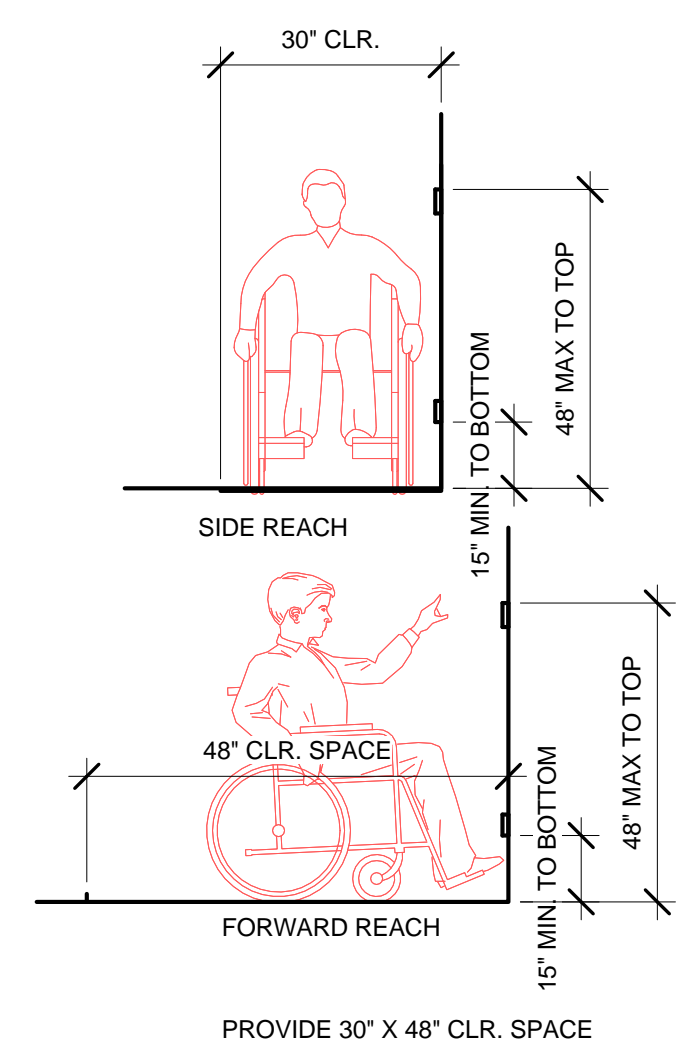


ENTRY DOOR DETAIL

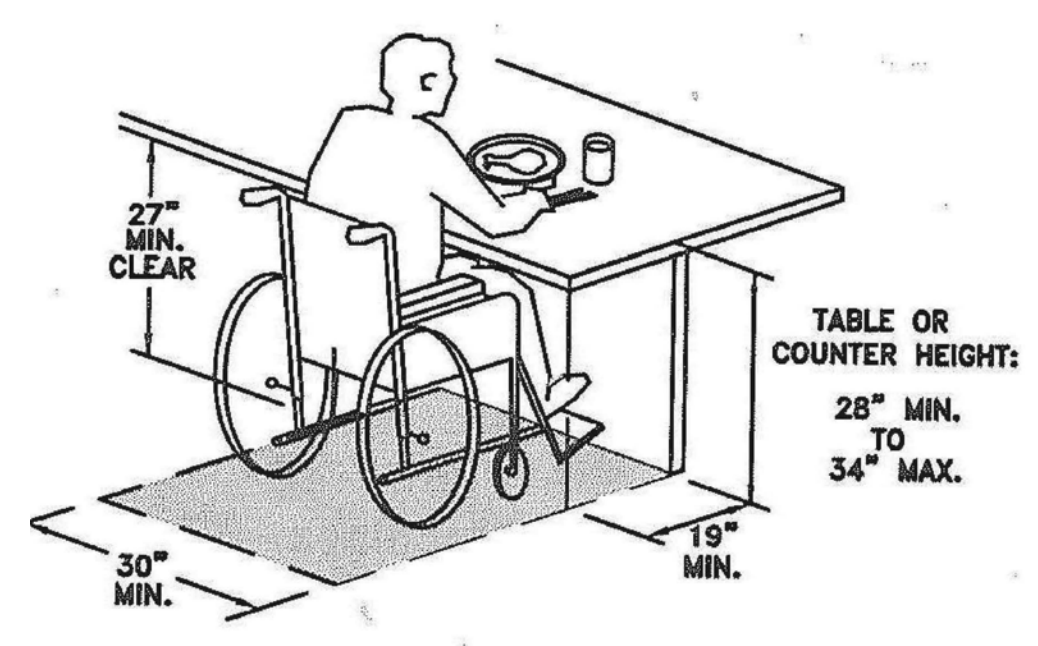
NOTE: LAVATORY FAUCET CONTROLS SHALL BE OPERABLE WITH ONE HAND AND SHALL NOT REQUIRE TIGHT GRASPING, PINCHING OR TWISTING OF THE LIST. THE FORCE REQUIRED TO ACTIVATE CONTROLS SHALL BE NO GREATER THAN 5LB. PROVIDE LEVER OPERATED PUSH TYPE.



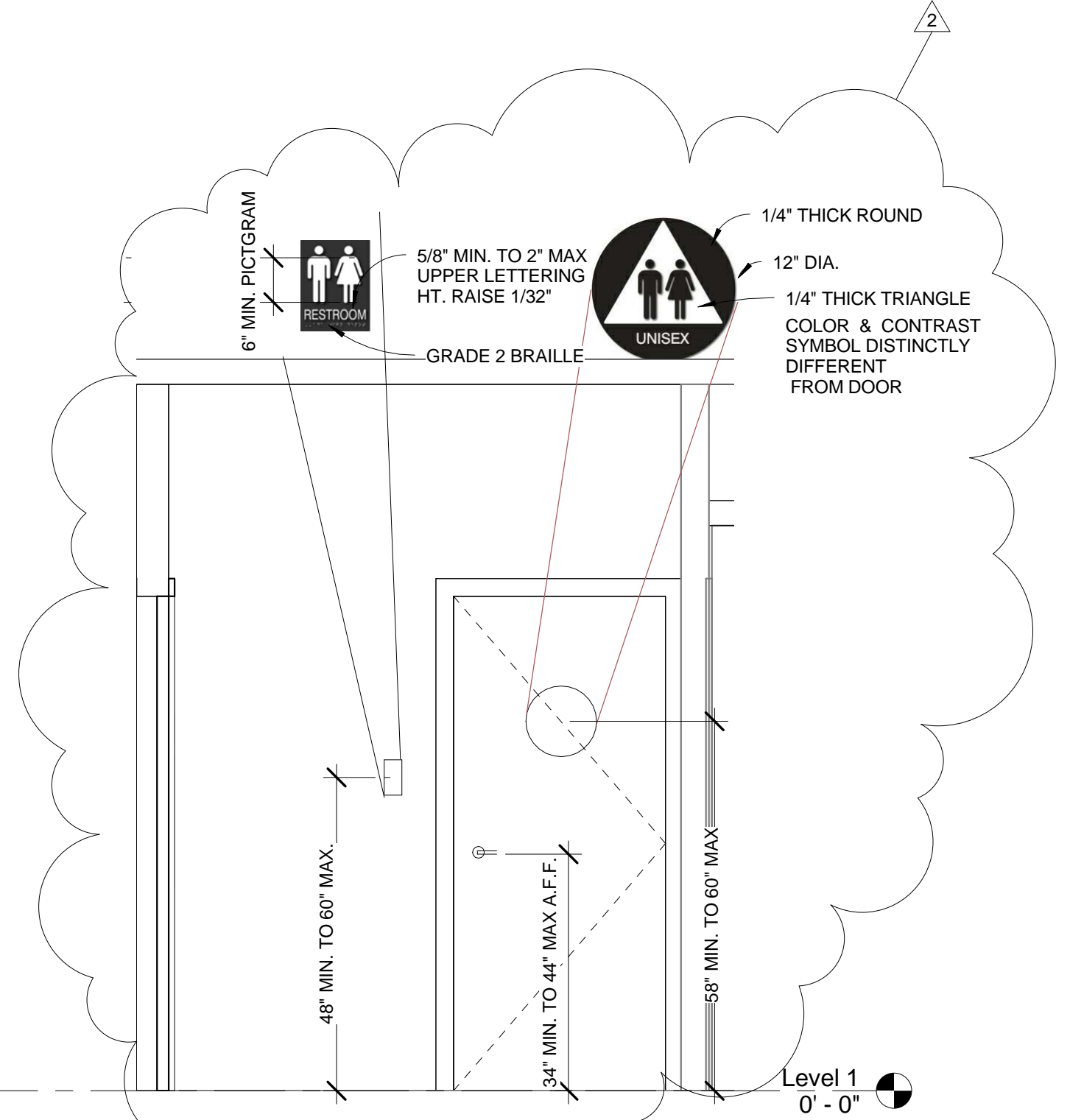
4 Accessible Lavatory
1" = 1'-0"



5 REACH RANGE
1/4" = 1'-0"



6 GRAB BAR SECTION
3" = 1'-0"



7 TOILETS DOOR SIGNAGE
1/2" = 1'-0"

NOTE: WATER SUPPLY AND DRAIN PIPES UNDER LAVATORIES AND SINK MUST BE INSULATED OR CONFIGURED TO PROTECT AGAINST CONTACT.

NO SHARP OR ABRASIVE SURFACES UNDER LAVATORIES AND SINK.

SINK MUST BE 6 1/2" DEEP MAX.

SOAP DISPENSER AND PAPER TOWEL SHOULD BE MOUNT AT MAX. 40 A.F.F.

NOTE: STRUCTURAL STRENGTH TO BE MIN 250 LB. WITH 1/8" MIN. RADIUS AT ALL EDGES.

Tenant Improvement
Old Port Lobster Shack
425 FORE STREET
PORTLAND ME

PROJECT NUMBER	150101
DRAWN	Author
CHECKED	Checker
DAT	
SCALE	

TOILETS DETAIL / ADA

A-3.1