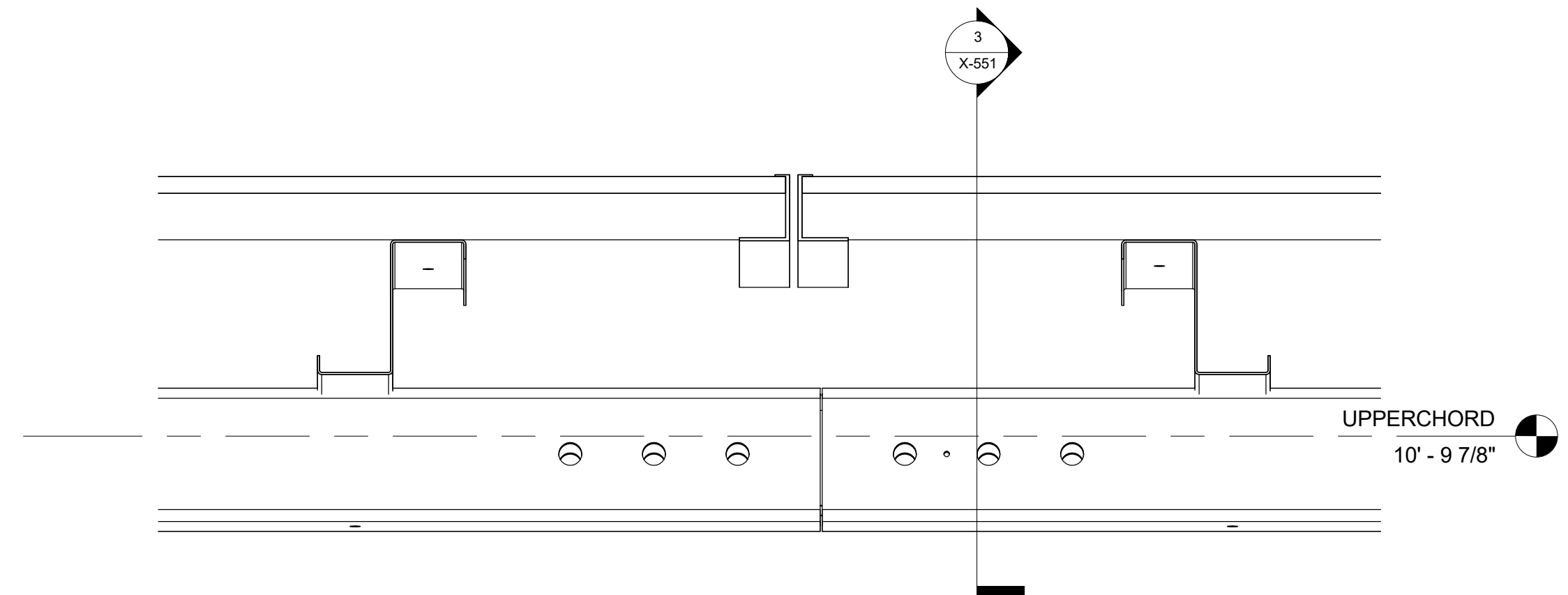
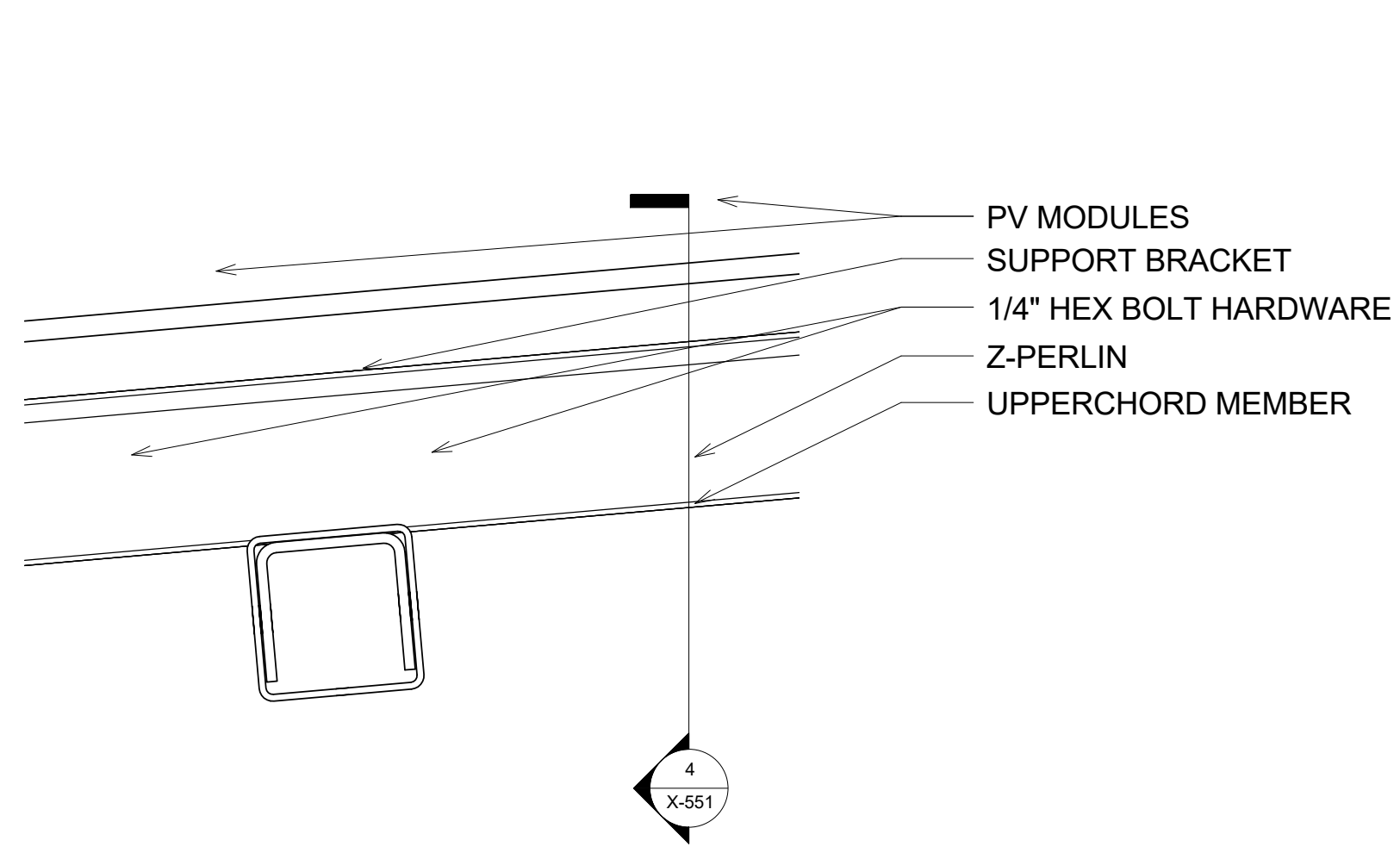
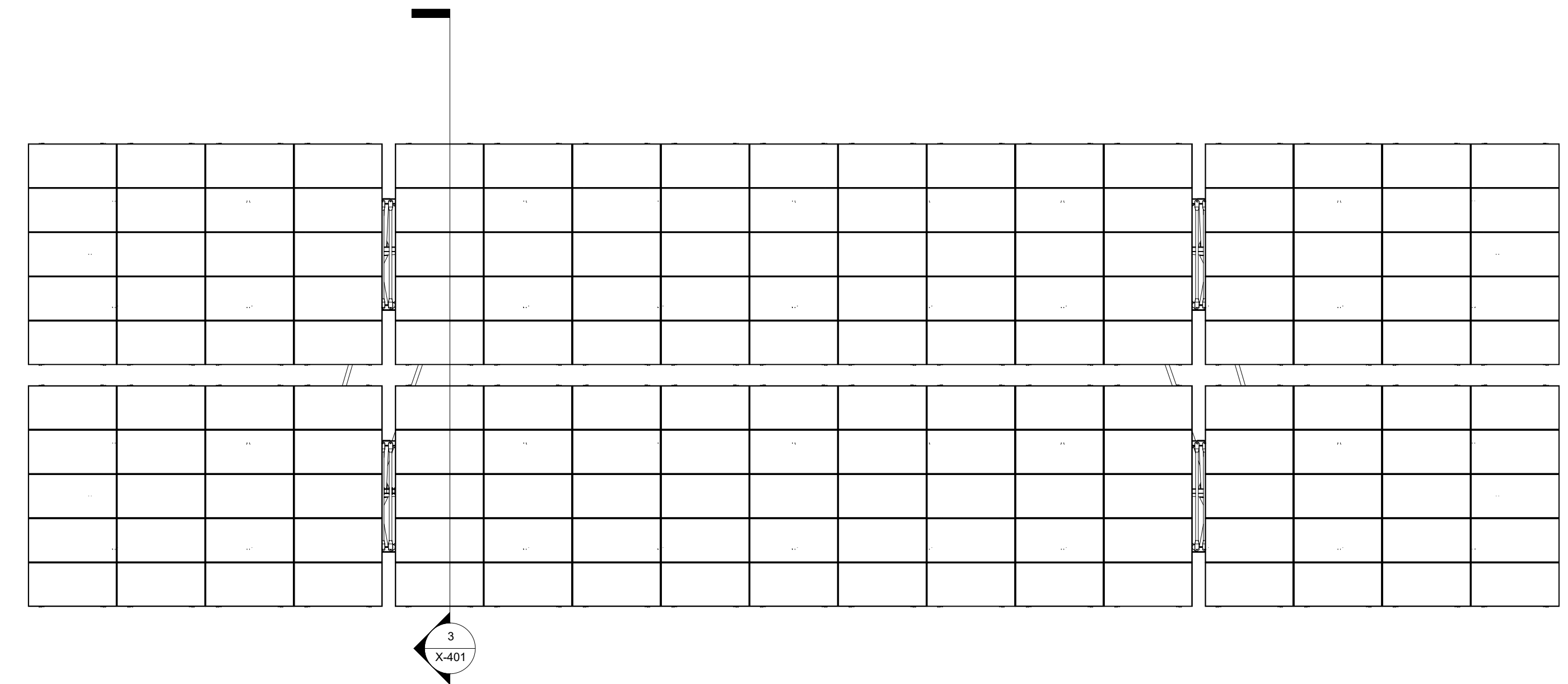


2 DETAIL AXON - UC TO MODULES



3 ENLARGED SECTION - UPPERCHORD PERLIN CONNECTION  
3" = 1'-0"

4 DETAIL SECTION - UC  
3" = 1'-0"



5 MODULES  
1/8" = 1'-0"

**QUEST RENEWABLES**  
75 5th ST. NW, SUITE 2150  
ATLANTA, GA 30308

www.questrenewables.com  
(404) 536-5787

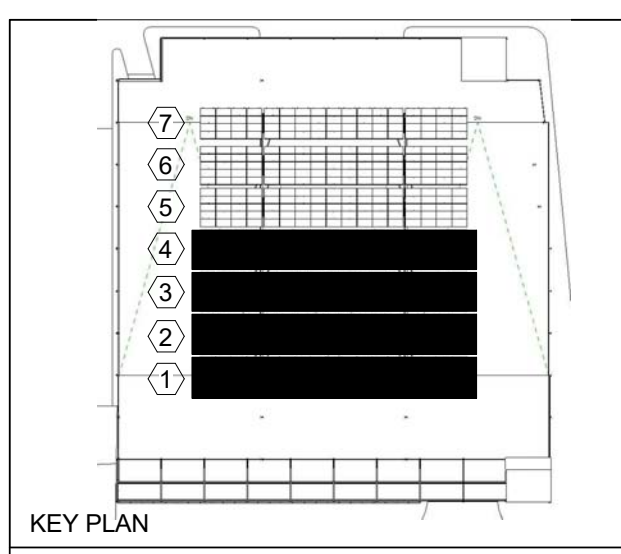
STRUCTURAL CONSULTANT:  
**AO STRUCTURES**  
P.O. BOX 413  
CARNELIAN BAY, CA,  
96140  
916.514.8586  
www.AOstructures.com

CLIENT:  
**REVISION ENERGY**  
142 PRESUMPCOT ST.  
PORTLAND, ME 04103  
(207)221-6342  
joshd@ReVisonEnergy.com

**FORE STREET PARKING GARAGE**  
PARKING DECK CANOPY  
425 FORE ST,  
PORTLAND, ME 04101

**QUADPOD CANOPY SYSTEM**  
193.6 kW DC  
578 PV MODULES  
5.00° DEGREE TILT  
150.00° DEGREE AZIMUTH

#	DESCRIPTION	DATE
1	ISSUED FOR PERMIT	04/05/2017



SEALS

**CONFIG 01 -  
MODULE  
ASSEMBLY**

PROJECT NUMBER J007  
DATE 03/31/2017  
DRAWN BY JD CHECKED BY WA

X-551