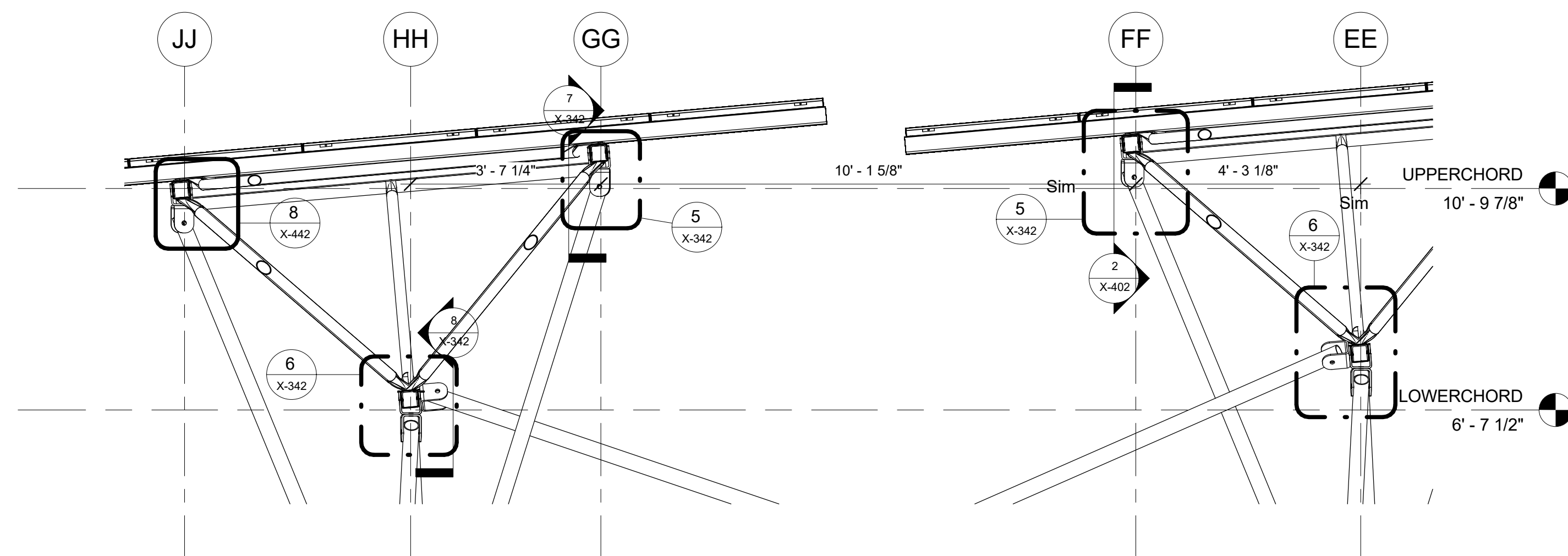
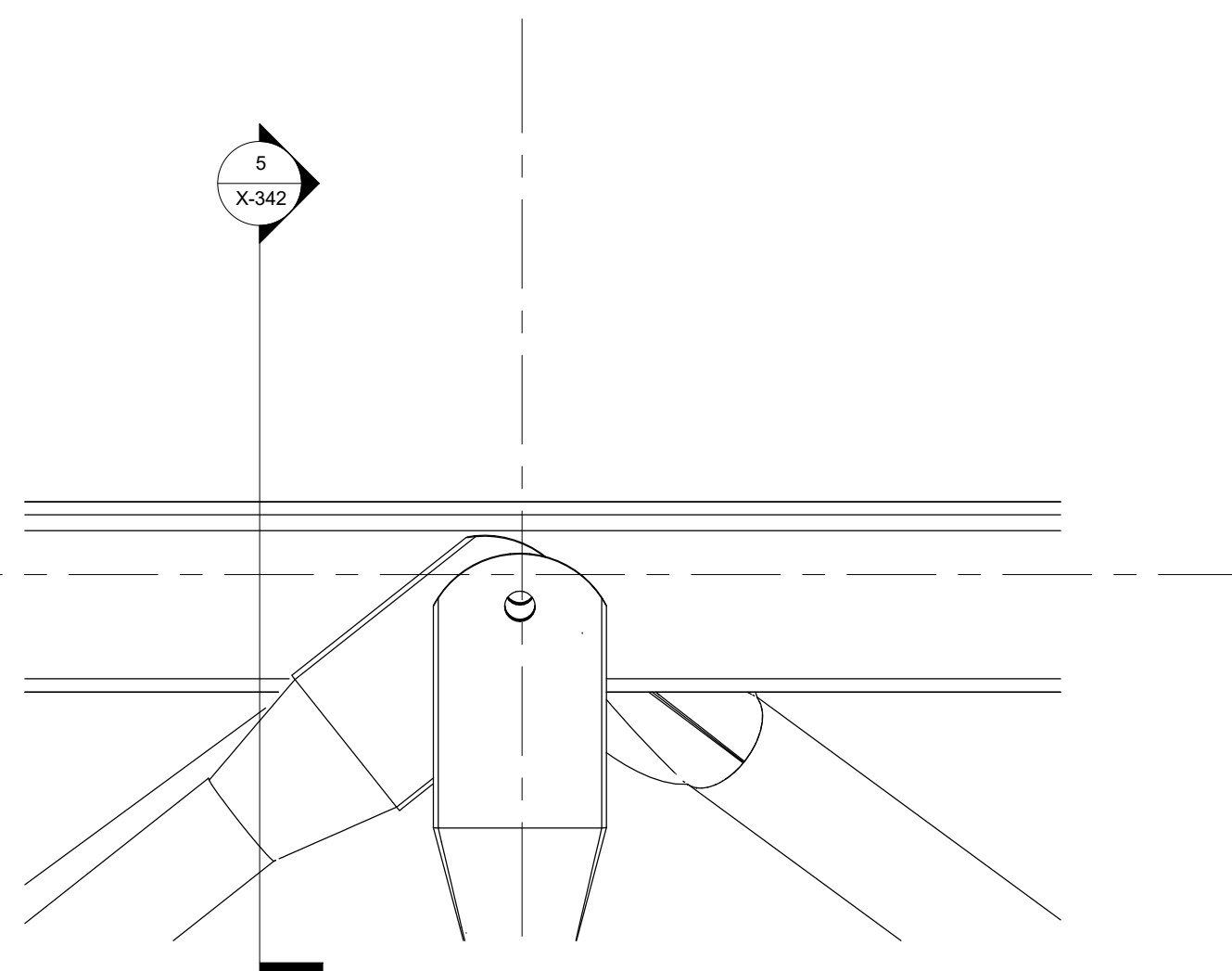


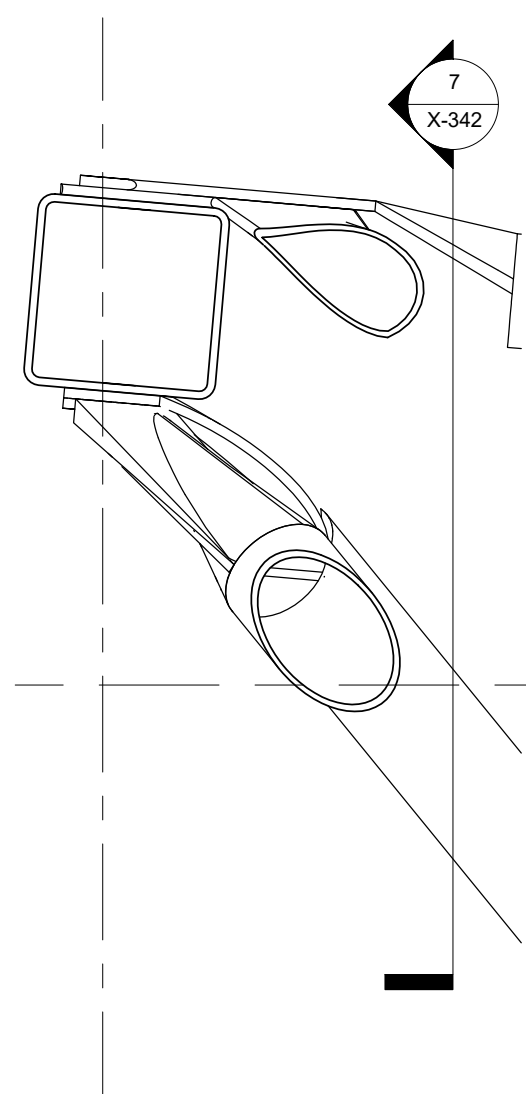
1 DETAIL AXON - BRIDGE STRUTS



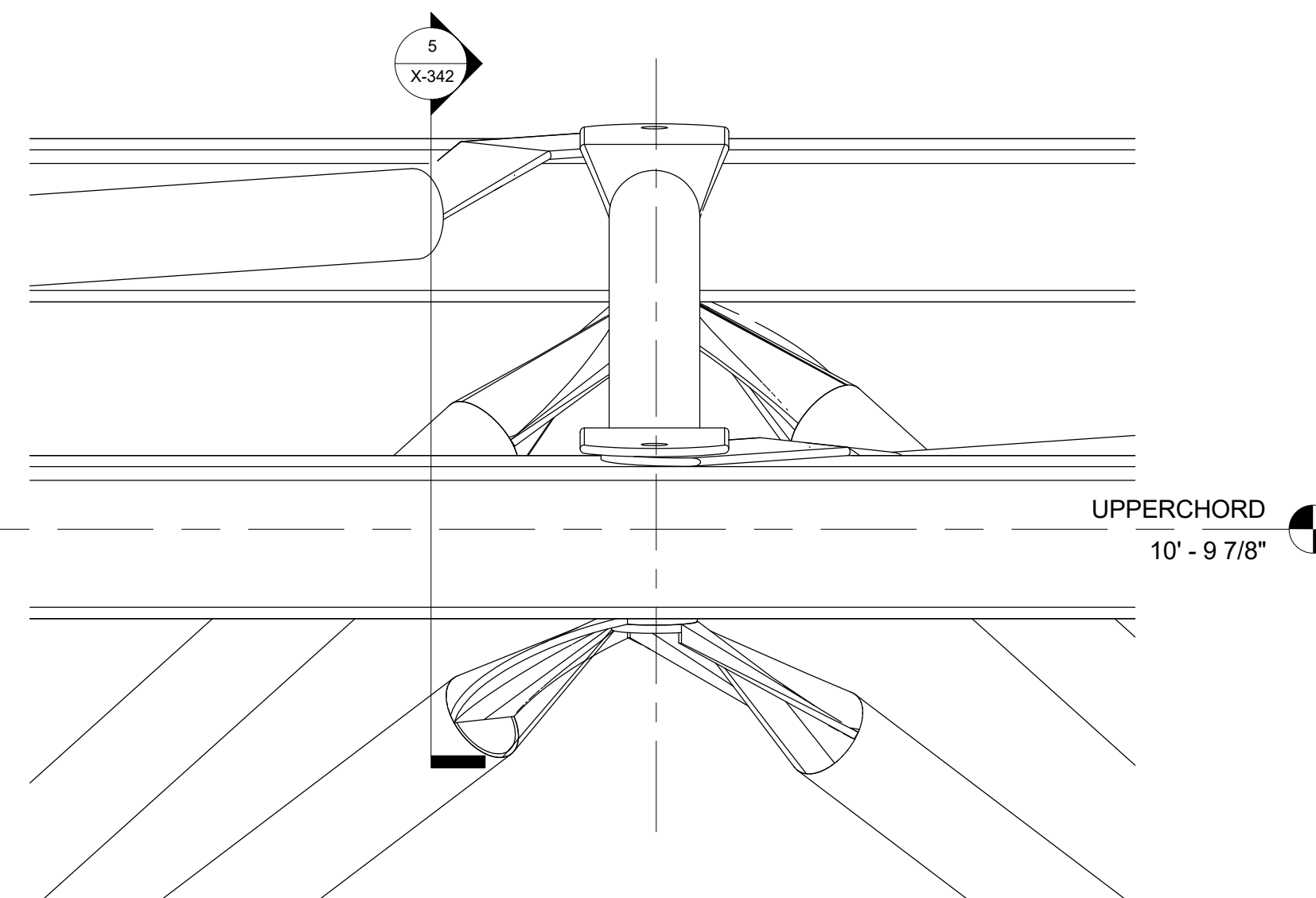
2 ENLARGED CROSS TRUSS SECTION
1/2" = 1'-0"



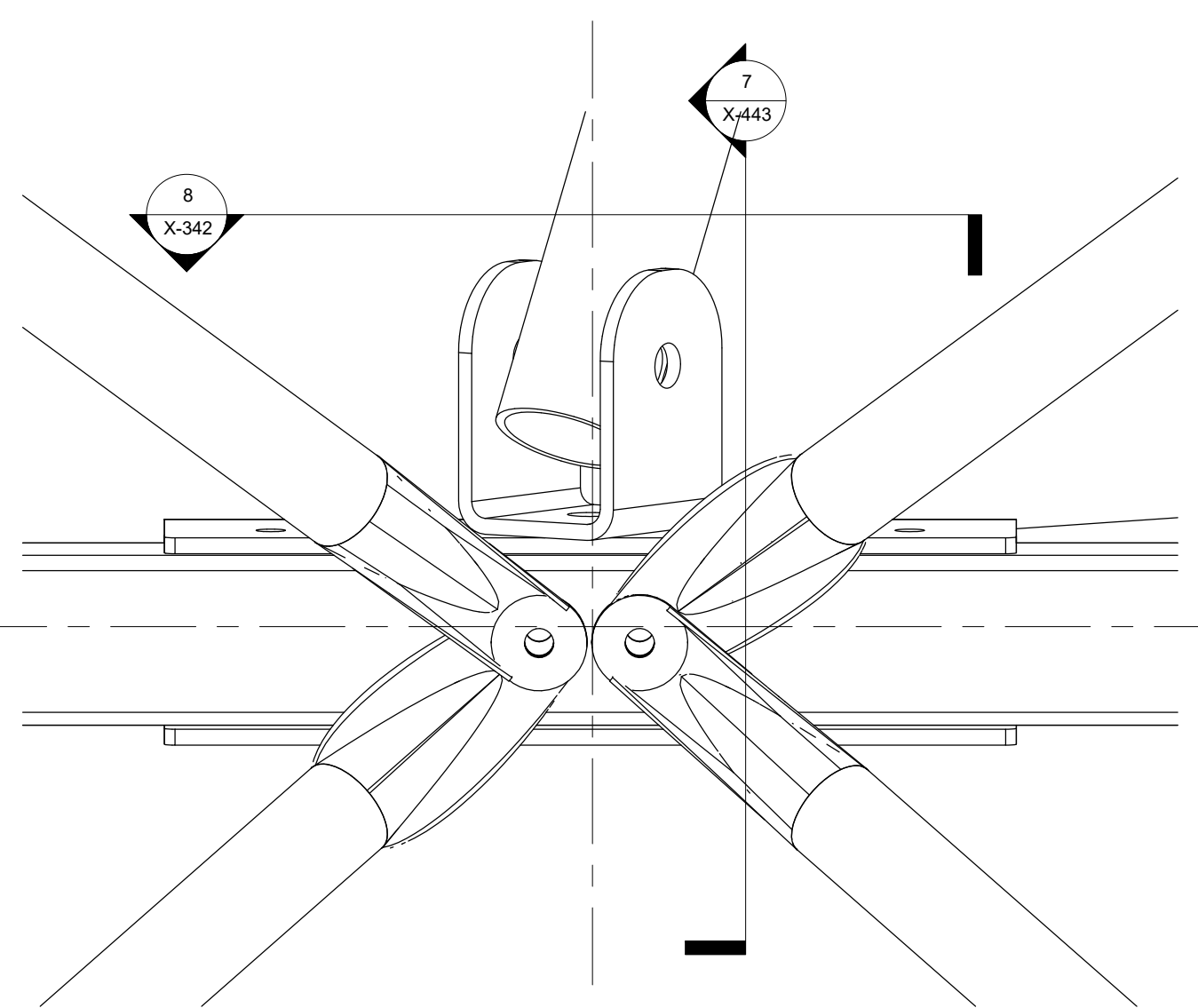
3 ENLARGED PLAN - UPPERCHORD TO UC STRUT CONNECTION
3" = 1'-0"



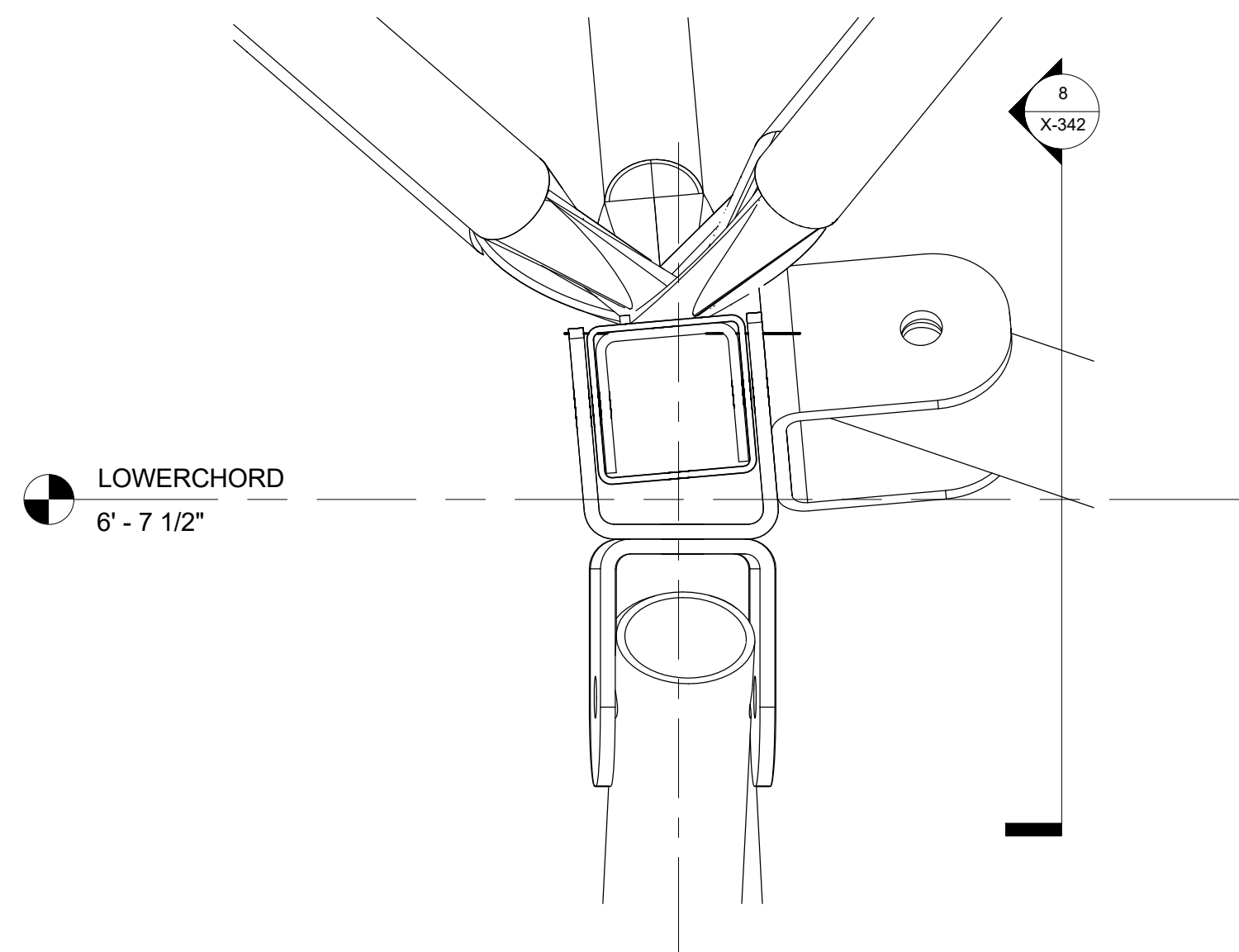
5 DETAIL SECTION - UC SIDE CLEVIS
3" = 1'-0"



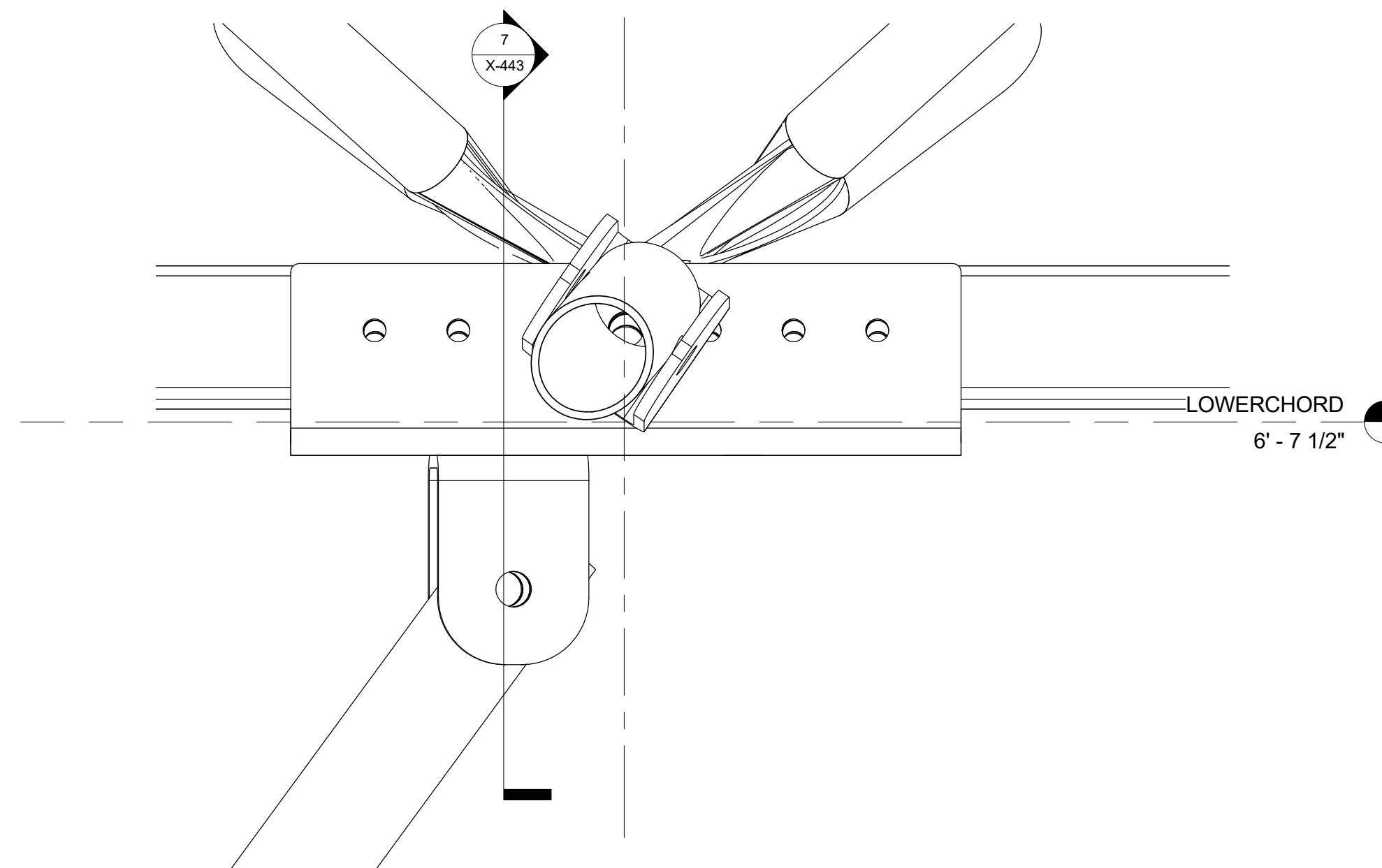
7 ELEVATION DETAIL - UC TO SUBSTRUCTURE
3" = 1'-0"



4 ENLARGED PLAN - LOWERCHORD TO WEBSTRUT
3" = 1'-0"



6 DETAIL SECTION - LC SUBSTRUCTURE
3" = 1'-0"



8 ELEVATION DETAIL - LC TO SUBSTRUCTURE
3" = 1'-0"

QUEST RENEWABLES
75 5th ST. NW, SUITE 2150
ATLANTA, GA 30308

www.questrenewables.com
(404) 536-5787

STRUCTURAL CONSULTANT:
AO STRUCTURES
P.O. BOX 413
CARNELIAN BAY, CA,
96140
916.514.8586
www.AOstructures.com

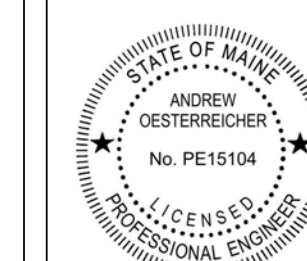
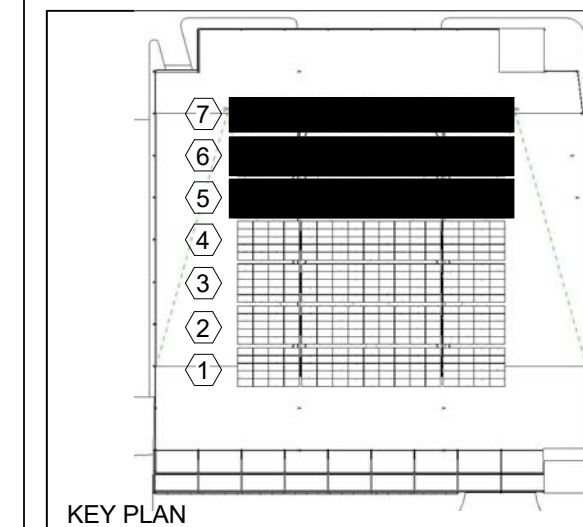
CLIENT:

REVISION ENERGY
142 PRESUMPCOT ST.
PORTLAND, ME 04103
(207)221-6342
joshd@ReVisonEnergy.com

FORE STREET PARKING GARAGE
PARKING DECK CANOPY
425 FORE ST,
PORTLAND, ME 04101

QUADPOD CANOPY SYSTEM
193.6 kW DC
578 PV MODULES
5.00° DEGREE TILT
150.00° DEGREE AZIMUTH

#	DESCRIPTION	DATE
1	ISSUED FOR PERMIT	04/05/2017



SEALS

CONFIG 02 - SUBSTRUCTURE TRUSS CONNECTIONS

PROJECT NUMBER J007
DATE 03/31/2017
DRAWN BY JD CHECKED BY WA

X-342