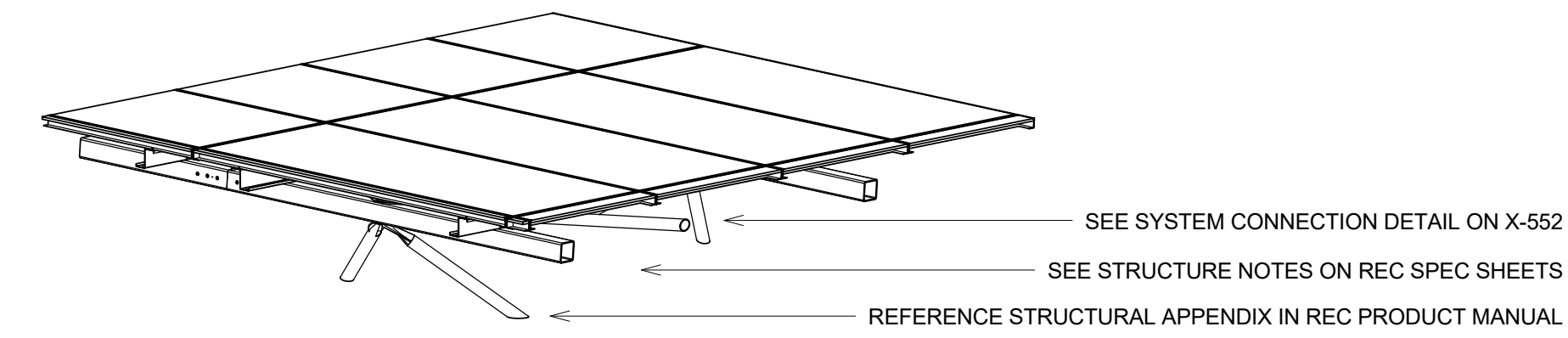


1 CONFIGURATION 2 - EXPLODED AXON DIAGRAM

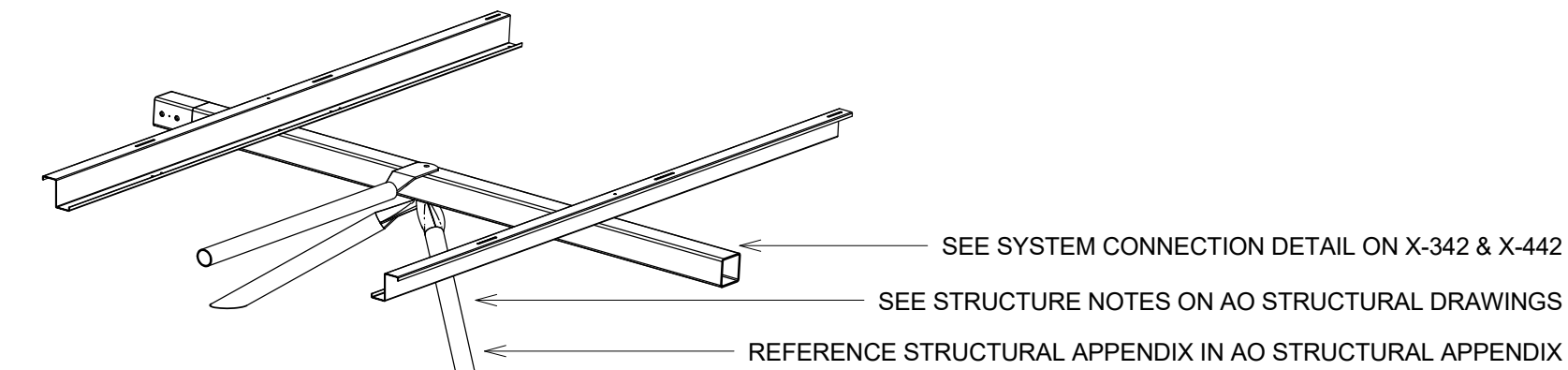
PART LIST - BILL OF MATERIALS			
ITEM	PART NUMBER	DESCRIPTION	QTY
1	UC_J00701	UpperChord Type A	28
2	UC_J00702	UpperChord Type B	28
3	UC_J00703	UpperChord Type C	28
4	UC_J00704	UpperChord Type D	14
5	LC_J00705	LowerChord Type E	14
6	LC_J00706	LowerChord Type F	14
7	LC_J00707	LowerChord Type G	7
8	GS_J00701	GroundStrut 01	6
9	GS_J00702	GroundStrut 02	6
10	GS_J00703	GroundStrut 03	6
11	GS_J00704	GroundStrut 04	6
16	IS_J00701	Closed Chord Inner Splice	112
17	UCWS_001	UpperChord Wedge Splice	28
18	LCWS_001	LowerChord Wedge Splice	28
19	MP5_J00701	Z-purlin 5 panel	204

20	MP4_J00702	Z-purlin 4 panel	34
21	PC_J00701	Pier Cap_Left	7
22	PC_J00702	Pier Cap_Right	7
23	CL_0375_3.5	Clevis 3.5"	140
24	ST-D01	Diagonal Strut	98
25	ST-T02	Transverse Strut	91
33	CB_001	Cantilever Brace	14
34	IB_SunTP_001	Inverter Bracket	14
35	IB_SunTP_002	Inverter Strap	14
36	IB_SunTP_003	Inverter Strap	7
72	ST_W01	Web Strut	210
74	GS_J00705	GroundStrut 05	6
75	GS_J00706	GroundStrut 06	6
76	GS_J00707	GroundStrut 07	6
77	GS_J00708	GroundStrut 08	6
78	GS_J00709	GroundStrut 09	2
79	GS_J00710	GroundStrut 10	3

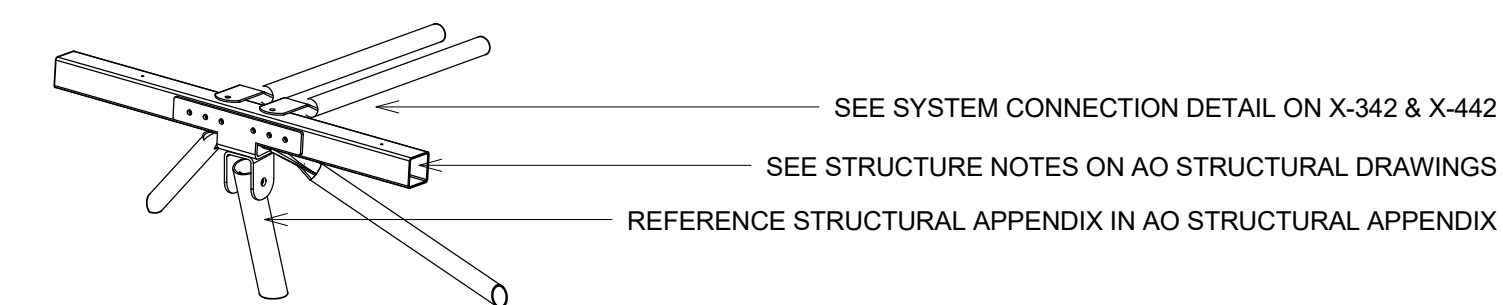
80	GS_J00711	GroundStrut 11	2
81	GS_J00712	GroundStrut 12	3
82	GS_J00723	GroundStrut 23	1
83	GS_J00724	GroundStrut 24	1
84	GS_J00713	GroundStrut 13	1
85	GS_J00714	GroundStrut 14	1
86	GS_J00715	GroundStrut 15	1
87	GS_J00716	GroundStrut 16	1
88	GS_J00717	GroundStrut 17	1
89	GS_J00718	GroundStrut 18	1
90	GS_J00719	GroundStrut 19	1
91	GS_J00720	GroundStrut 20	1
92	GS_J00721	GroundStrut 21	1
93	GS_J00722	GroundStrut 22	1
94	ST_W02	Webstrut Reinforced	84



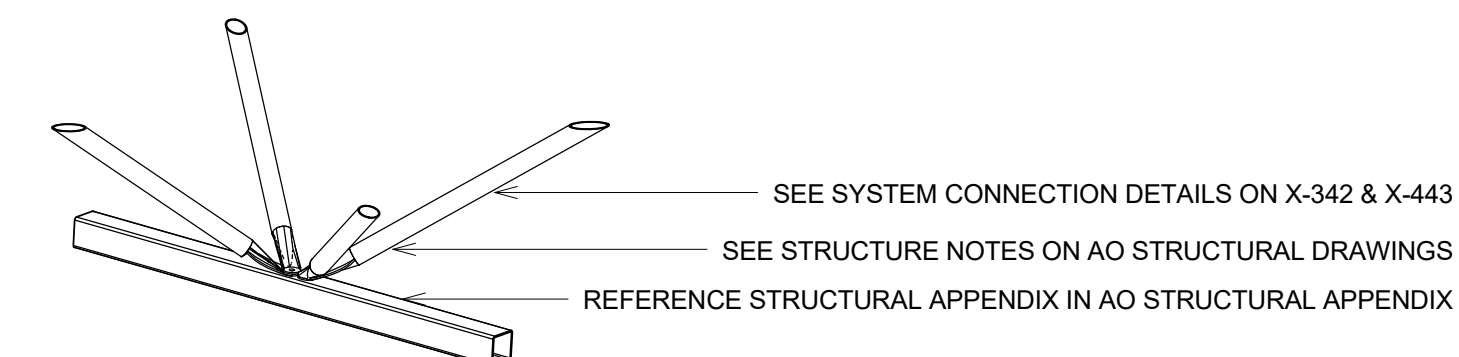
2 DIAGRAM AXON - MODULES TO PURLINS



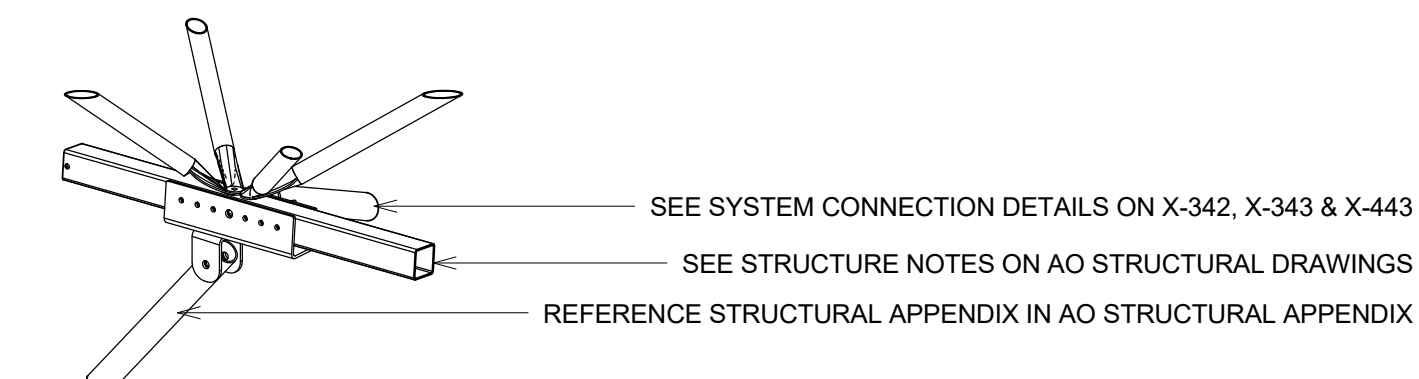
3 DIAGRAM AXON - UC TO WEBSTRUTS



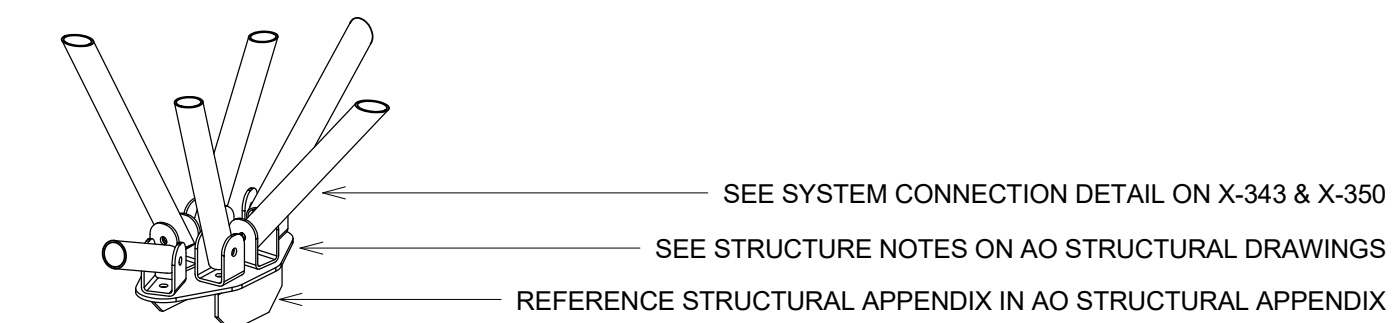
4 DIAGRAM AXON - UC TO SUBSTRUCTURE



5 DIAGRAM AXON - WEBSTRUTS TO LC



6 DIAGRAM AXON - LC TO SUBSTRUCTURE



7 DIAGRAM AXON - SUBSTRUCTURE TO COLUMN

QUEST RENEWABLES
75 5th ST. NW, SUITE 2150
ATLANTA, GA 30308

www.questrenewables.com
(404) 536-5787

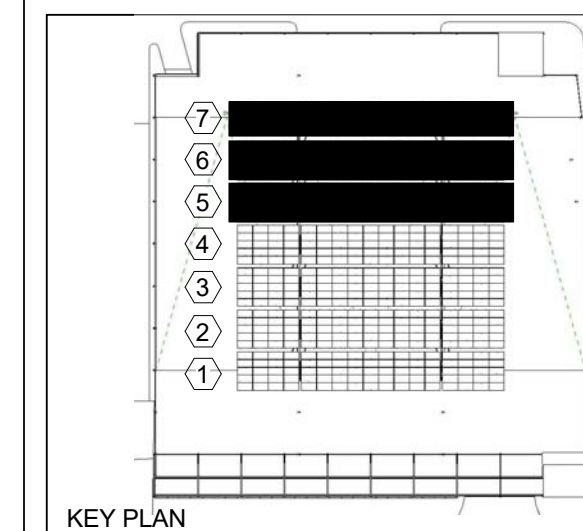
STRUCTURAL CONSULTANT:
AO STRUCTURES
P.O. BOX 413
CARNELIAN BAY, CA,
96140
916.514.8586
www.AOstructures.com

CLIENT:
Revision Energy
142 PRESUMPCOT ST.
PORTLAND, ME 04103
(207) 221-6342
joshd@ReVisonEnergy.com

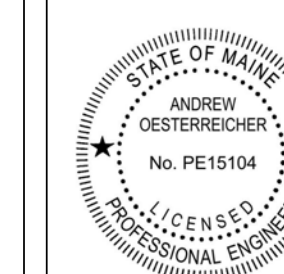
FORE STREET PARKING GARAGE
PARKING DECK CANOPY
425 FORE ST,
PORTLAND, ME 04101

QUADPOD CANOPY SYSTEM
193.6 kW DC
578 PV MODULES
5.00° DEGREE TILT
150.00° DEGREE AZIMUTH

#	DESCRIPTION	DATE
1	ISSUED FOR PERMIT	04/05/2017



KEY PLAN



SEALS

CONFIG 02 - TRUSS CONFIGURATION EXPLODED AXON

PROJECT NUMBER **J007**
DATE **03/31/2017**

DRAWN BY **JK** (CHECKED BY **WA**)

X-332