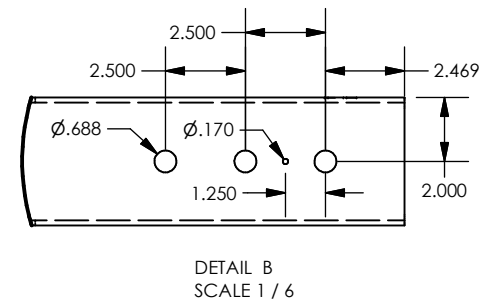
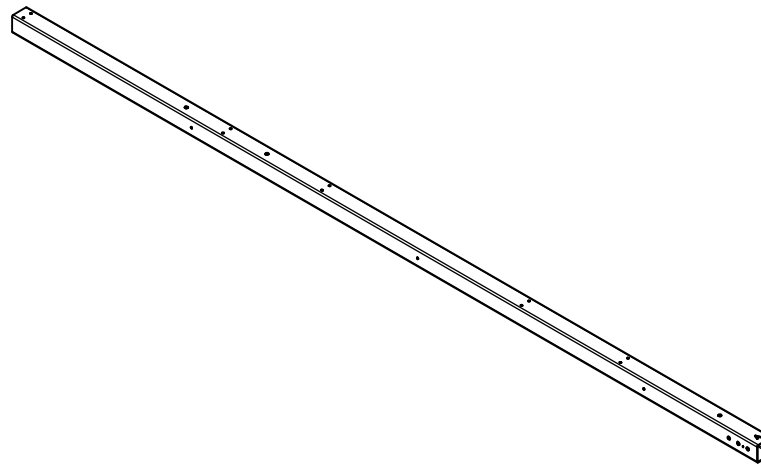
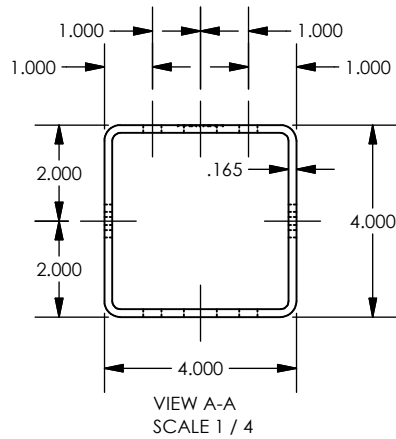
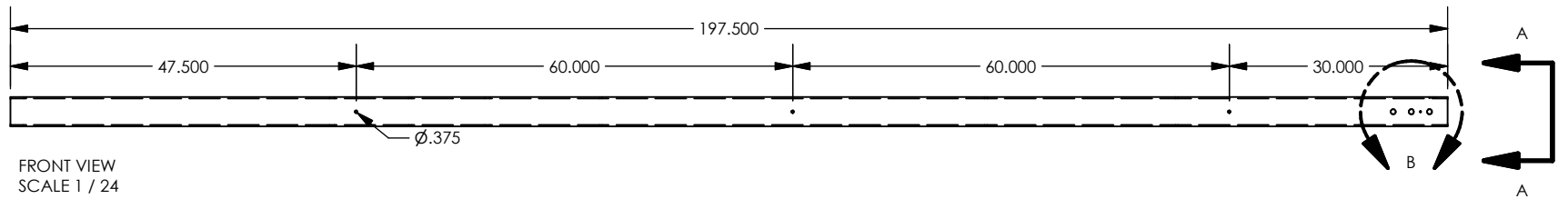
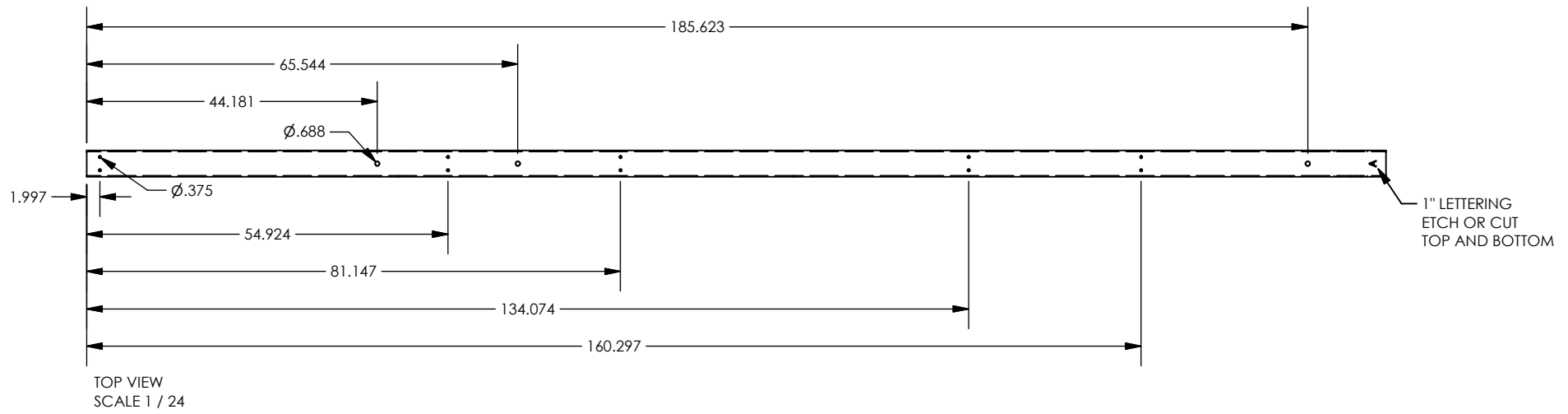
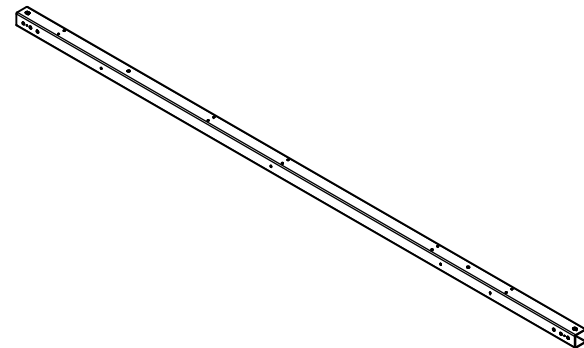
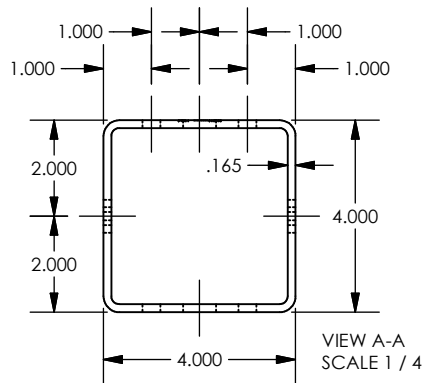
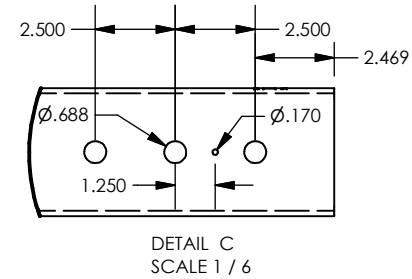
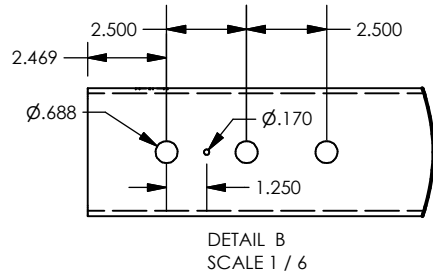
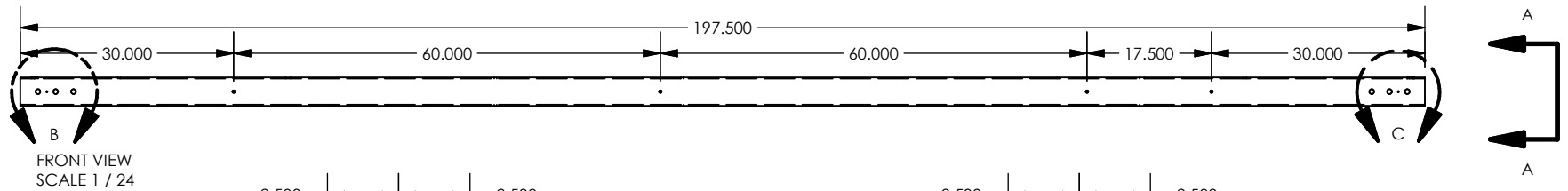
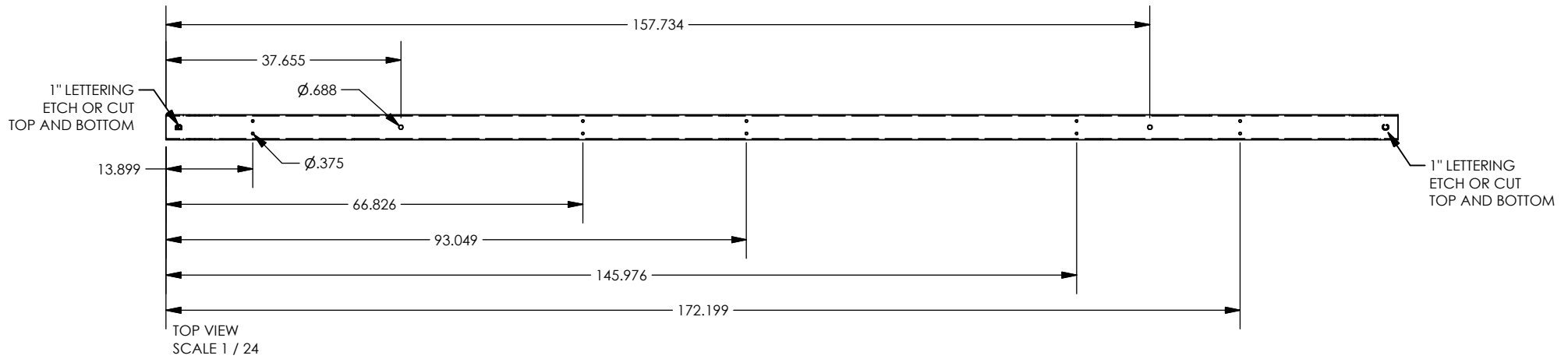


PARTS LIST					PARTS LIST					PARTS LIST				
ITEM	QTY	PART NUMBER	DESCRIPTION	DESIGN STATE	ITEM	QTY	PART NUMBER	DESCRIPTION	DESIGN STATE	ITEM	QTY	PART NUMBER	DESCRIPTION	DESIGN STATE
1	28	UC_J00701	UpperChord Type A	Released	20	1	GS_J00713	GroundStrut 13	Released	32	112	IS_J00701	Closed Chord Inner Splice	Released
2	28	UC_J00702	UpperChord Type B	Released	21	1	GS_J00714	GroundStrut 14	Released	33	28	UCWS_001	UpperChord Wedge Splice	Released
3	28	UC_J00703	UpperChord Type C	Released	22	1	GS_J00715	GroundStrut 15	Released	34	28	LCWS_001	LowerChord Wedge Splice	Released
4	14	UC_J00704	UpperChord Type D	Released	23	1	GS_J00716	GroundStrut 16	Released	35	204	MP5_J00701	Z-purlin 5 panel	Released
5	14	LC_J00705	LowerChord Type E	Released	24	1	GS_J00717	GroundStrut 17	Released	36	34	MP4_J00702	Z-purlin 4 panel	Released
6	14	LC_J00706	LowerChord Type F	Released	25	1	GS_J00718	GroundStrut 18	Released	37	2	PC_J00701	Pier Cap_Double	Released
7	7	LC_J00707	LowerChord Type G	Released	26	1	GS_J00719	GroundStrut 19	Released	38	10	PC_J00702	Pier Cap_Single	Released
8	6	GS_J00701	GroundStrut 01	Released	27	1	GS_J00720	GroundStrut 20	Released	39	2	PC_J00703	Pier Cap_No Diagonal	Released
9	6	GS_J00702	GroundStrut 02	Released	28	1	GS_J00721	GroundStrut 21	Released	40	4	PC_J00704	Pier Gussett_Double	Released
10	6	GS_J00703	GroundStrut 03	Released	29	1	GS_J00722	GroundStrut 22	Released	41	20	PC_J00705	Pier Gussett_Single	Released
11	6	GS_J00704	GroundStrut 04	Released	30	1	GS_J00723	GroundStrut 23	Released	42	5	PC_J00706	Pier Gussett_No Diagonal	Released
12	6	GS_J00705	GroundStrut 05	Released	31	1	GS_J00724	GroundStrut 24	Released	43	140	CL_0375_3.5	Clevis 3.5"	Released
13	6	GS_J00706	GroundStrut 06	Released						44	91	ST-T02	Transverse Strut	Released
14	6	GS_J00707	GroundStrut 07	Released						45	98	ST-D01	Diagonal Strut	Released
15	6	GS_J00708	GroundStrut 08	Released						46	210	ST_W01	Web Strut	Released
16	2	GS_J00709	GroundStrut 09	Released						47	84	ST_W02	Web Strut Reinforced	Released
17	3	GS_J00710	GroundStrut 10	Released						48	14	CB_001	Cantilever Brace	Released
18	2	GS_J00711	GroundStrut 11	Released						49	14	IB_SunTP_001	Inverter Bracket	Released
19	3	GS_J00712	GroundStrut 12	Released						50	14	IB_SunTP_002	Inverter Strap	Released
										51	7	IB_SunTP_003	Inverter Strap	Released



Weight : N/A
Material : Steel, Galvanized



Weight : N/A
Material : Steel, Galvanized



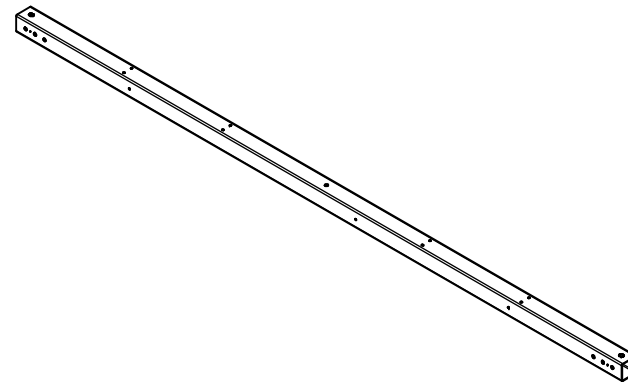
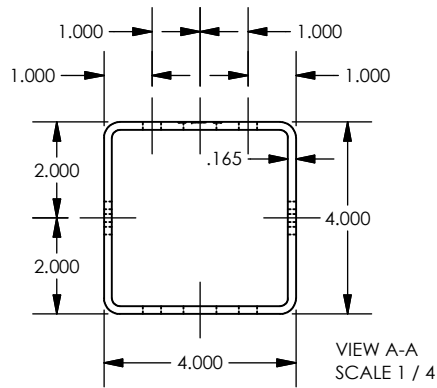
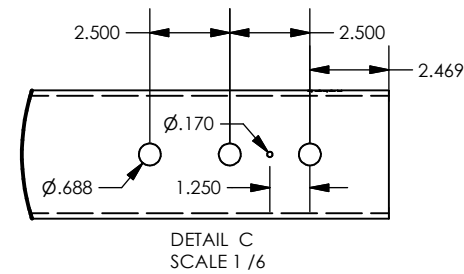
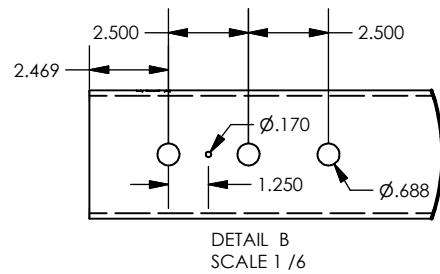
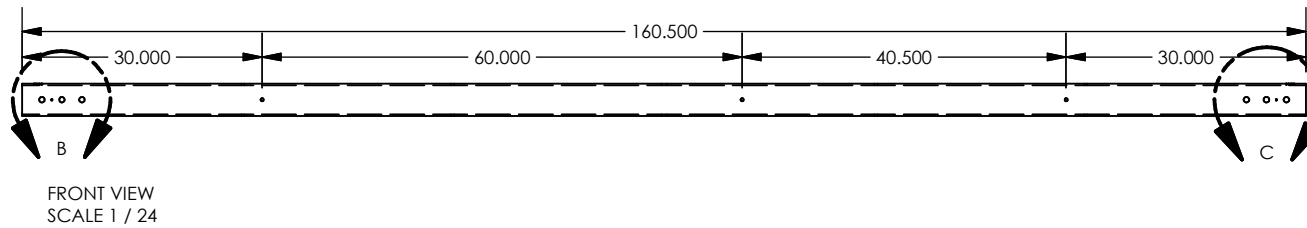
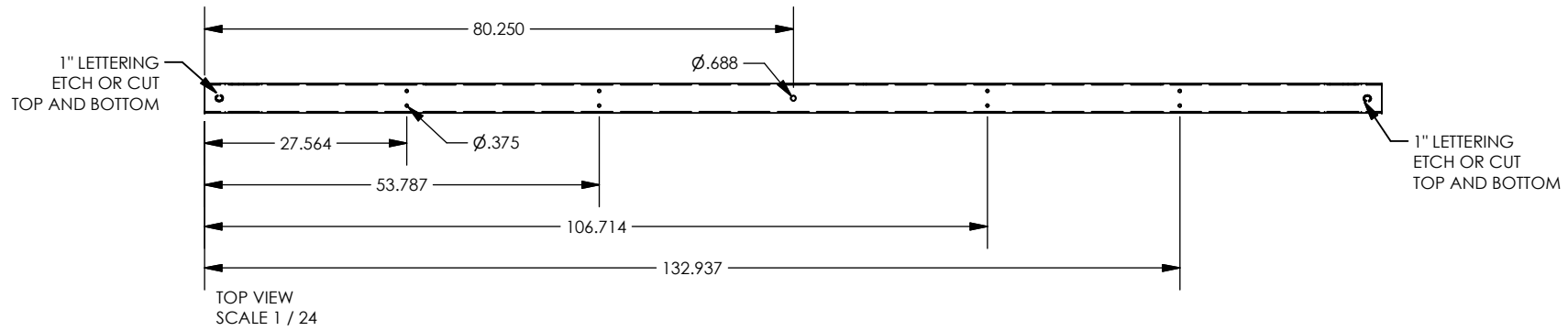
QUEST RENEWABLES
75 5th St. NW, Suite 2150
Atlanta, Georgia 30308

Quad Pod: 3D Truss
Racking & Mounting System

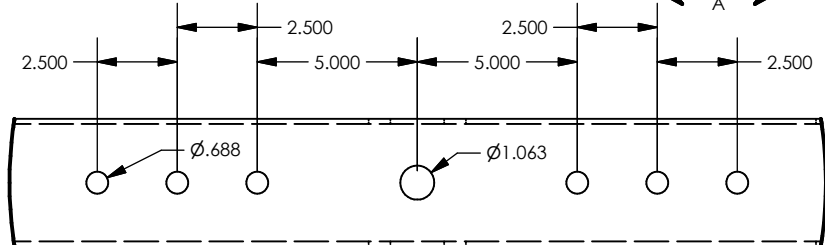
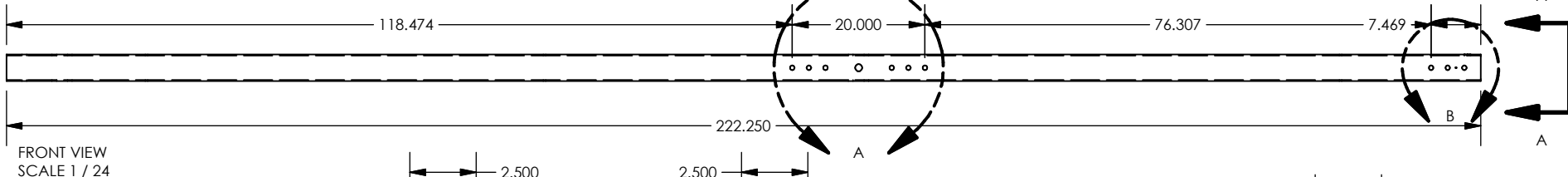
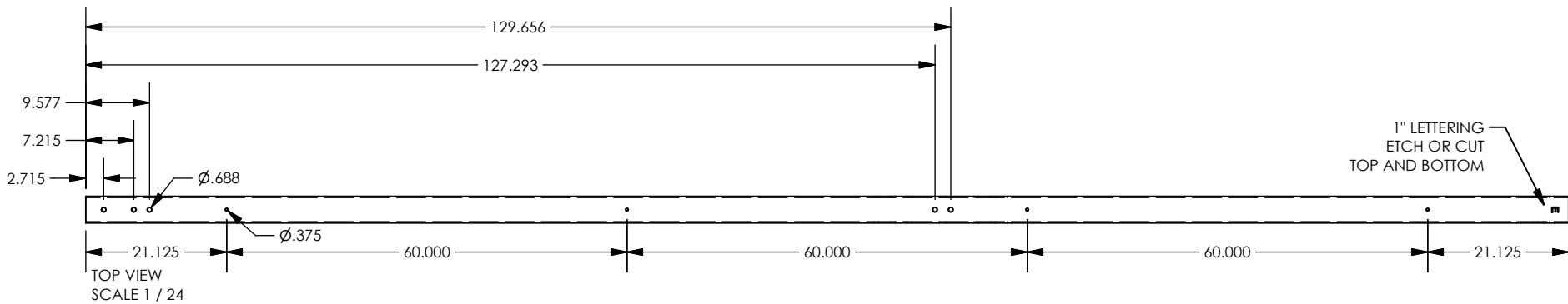
Chord
UC_J00703

Georgia Tech
Proprietary and Confidential

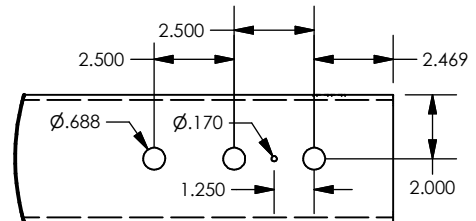
DATE: 10/20/2016
DRAWN BY: jkeane3
CHECKED BY:



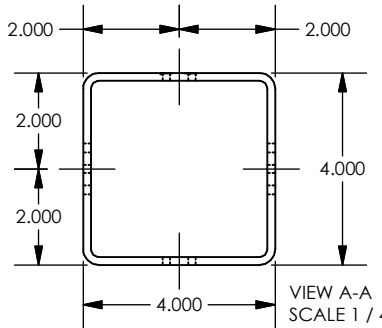
Weight : N/A
Material : Steel, Galvanized



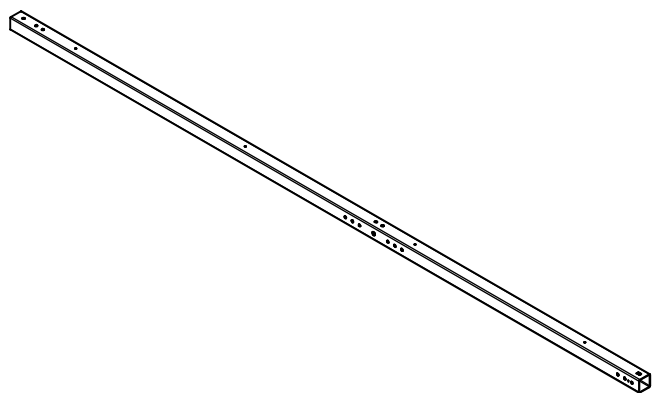
DETAIL A
SCALE 1 / 6



DETAIL B
SCALE 1 / 6



VIEW A-A
SCALE 1 / 4



Weight : N/A
Material : Steel, Galvanized



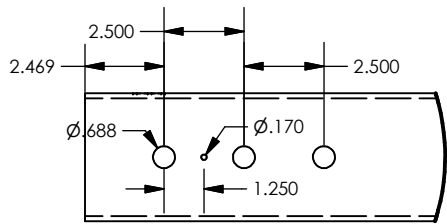
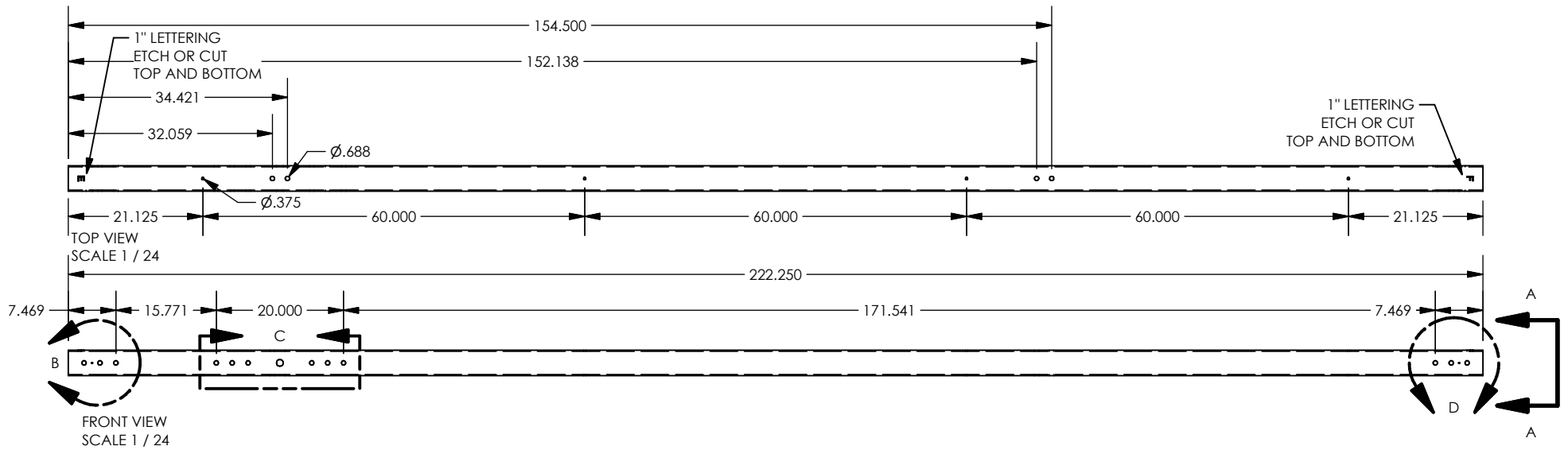
QUEST RENEWABLES
75 5th St. NW, Suite 2150
Atlanta, Georgia 30308

Quad Pod: 3D Truss
Racking & Mounting System

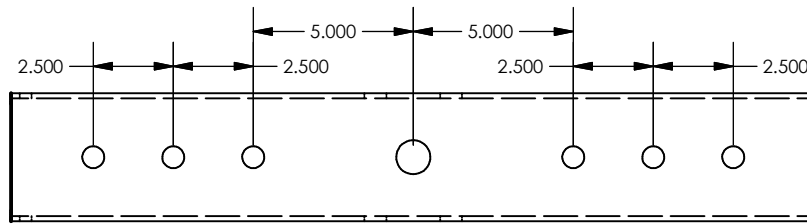
Chord
LC_J00705

Georgia Tech
Proprietary and Confidential

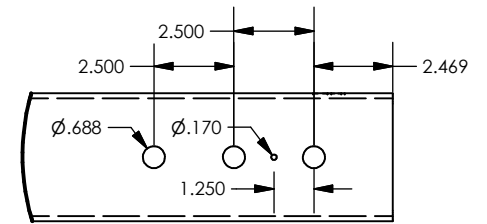
DATE: 10/20/2016
DRAWN BY: jkeane3
CHECKED BY:



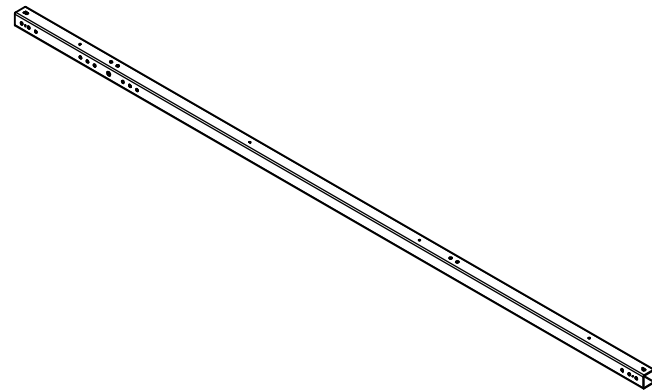
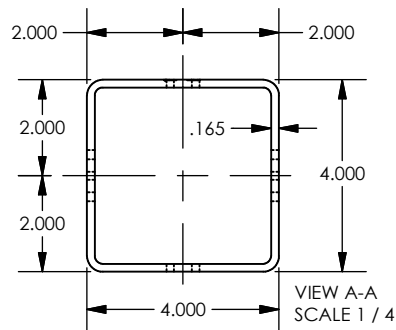
DETAIL B
SCALE 1 / 6



DETAIL C
SCALE 1 / 6



DETAIL D
SCALE 1 / 6



Weight : N/A

Material : Steel, Galvanized



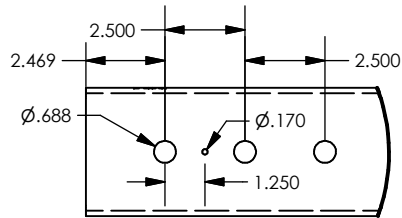
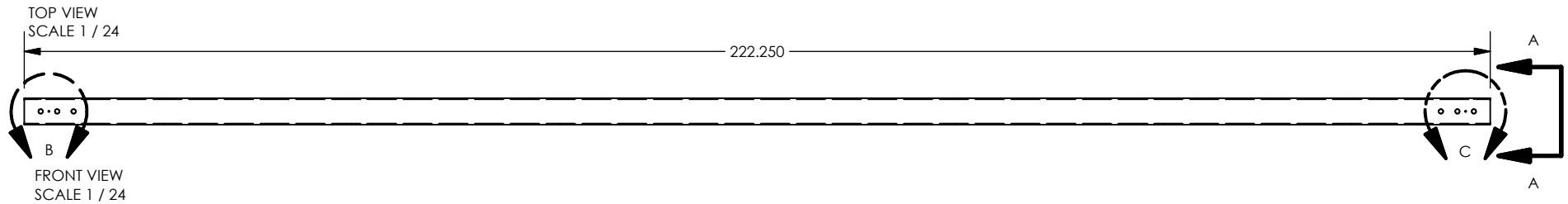
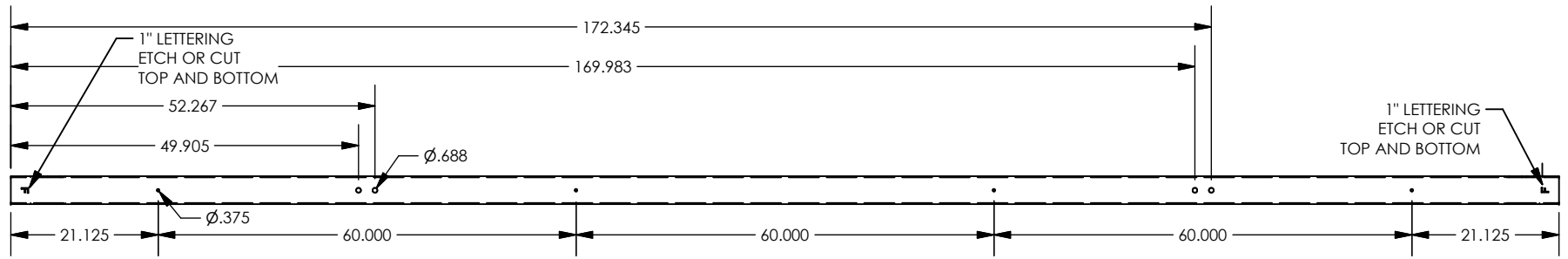
QUEST RENEWABLES
75 5th St. NW, Suite 2150
Atlanta, Georgia 30308

Quad Pod: 3D Truss
Racking & Mounting System

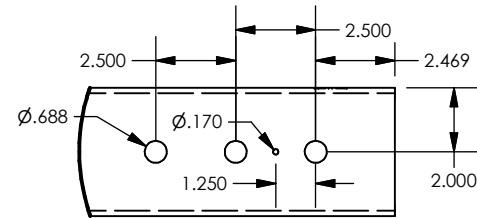
Chord
LC_J00706

Georgia Tech
Proprietary and Confidential

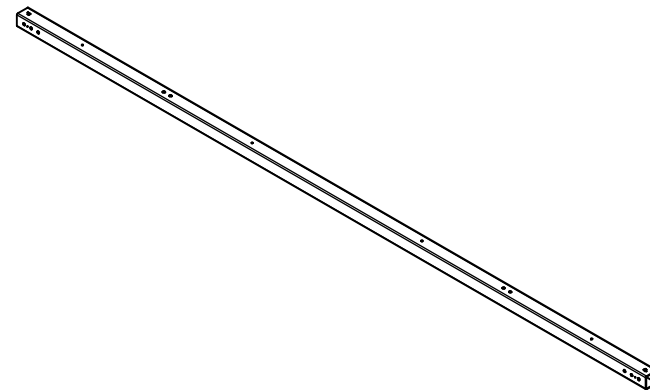
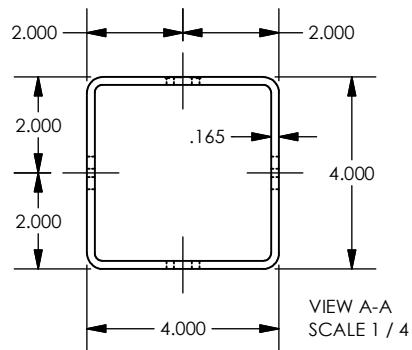
DATE: 10/20/2016
DRAWN BY: jkeane3
CHECKED BY:



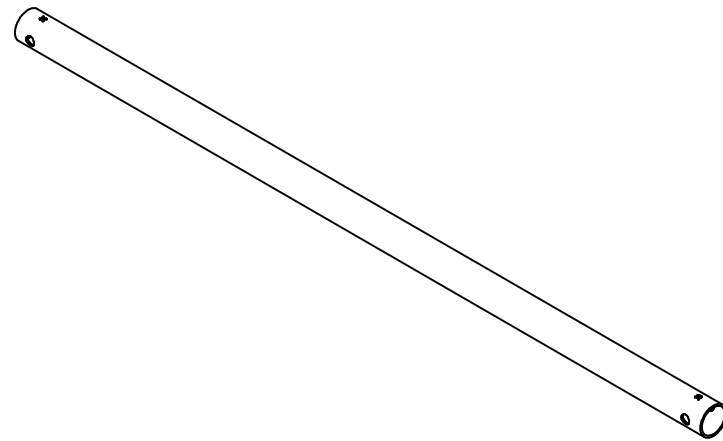
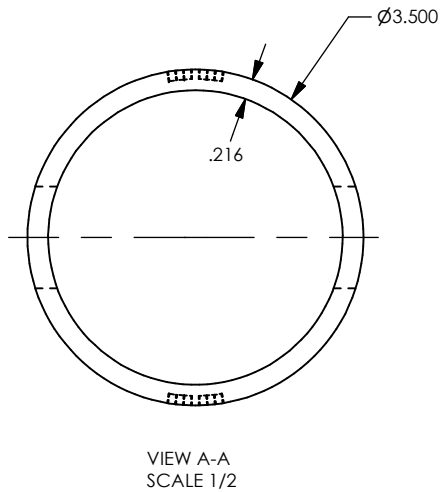
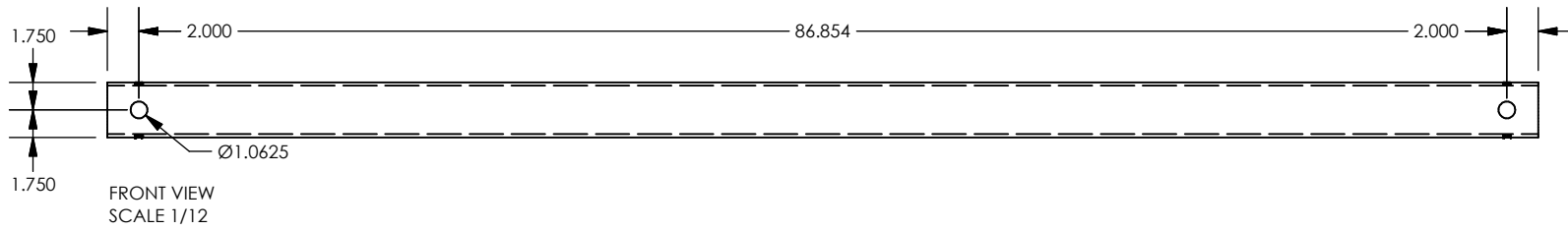
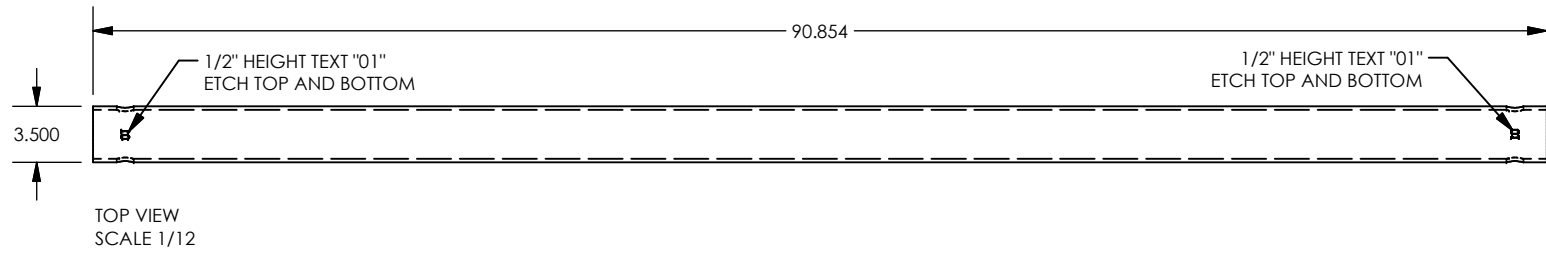
DETAIL B
SCALE 1 / 6

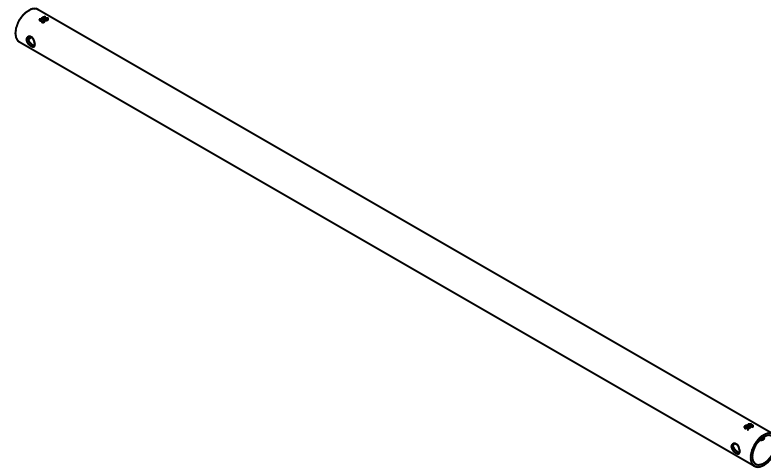
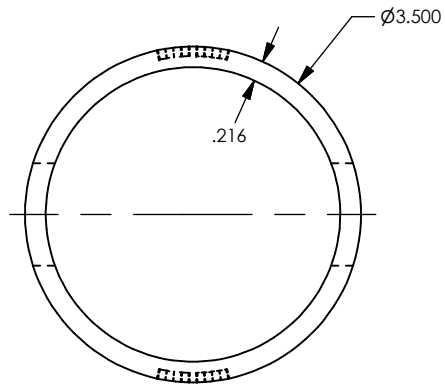
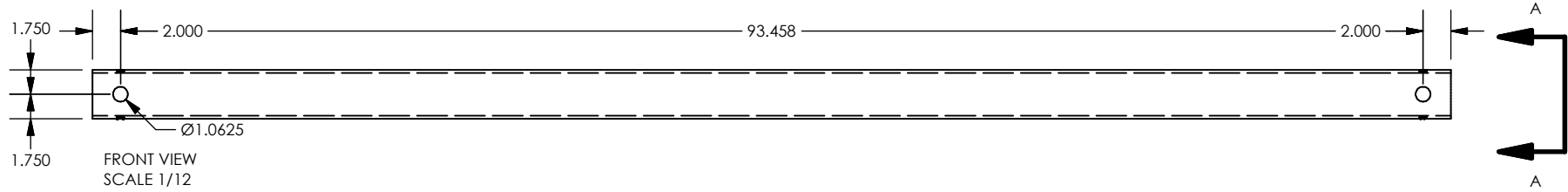
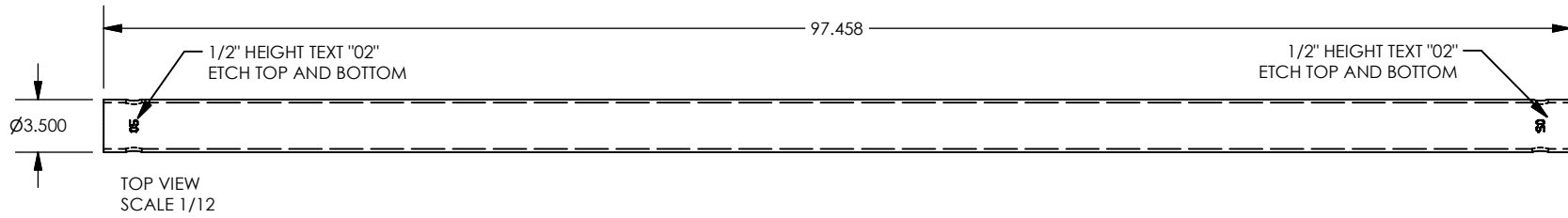


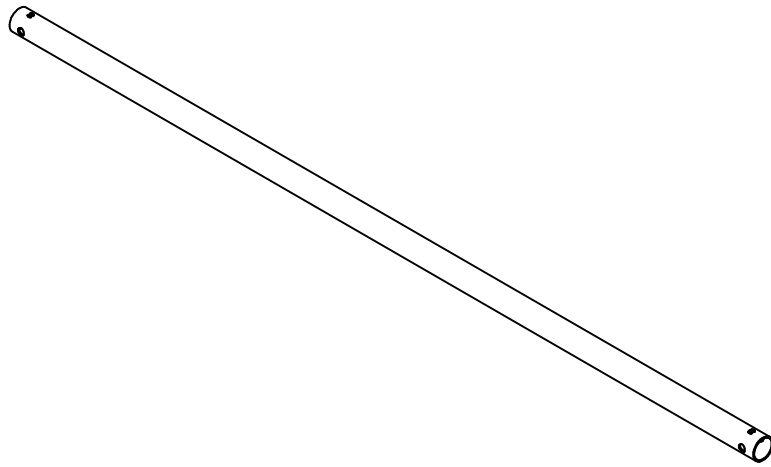
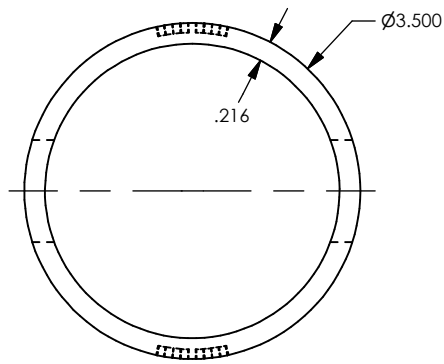
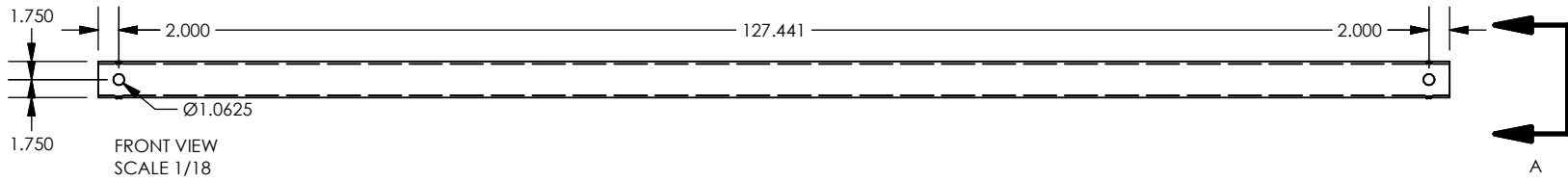
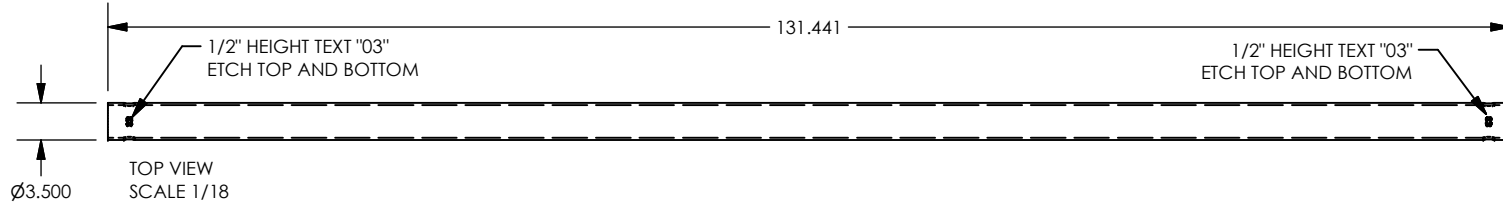
DETAIL C
SCALE 1 / 6

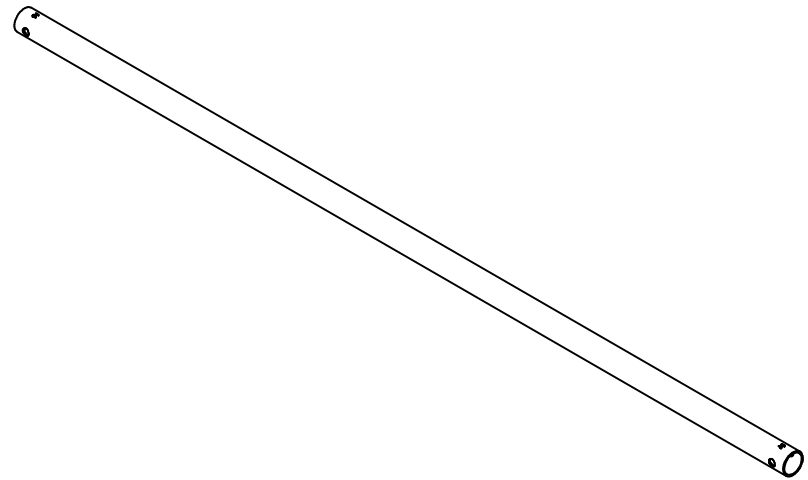
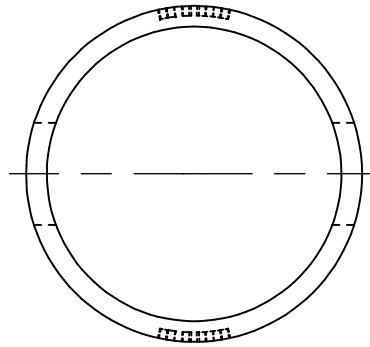
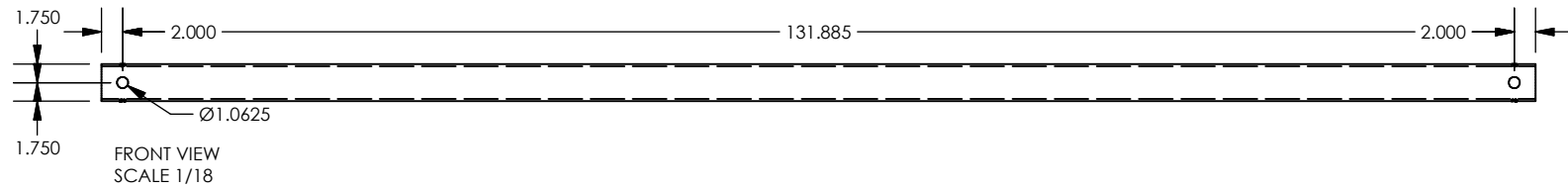
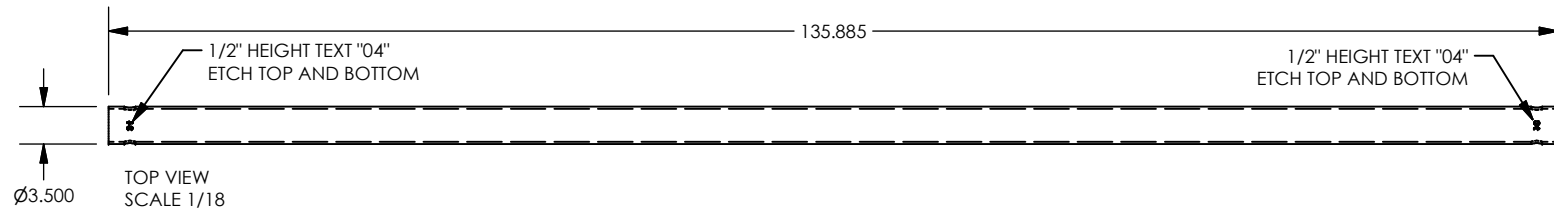


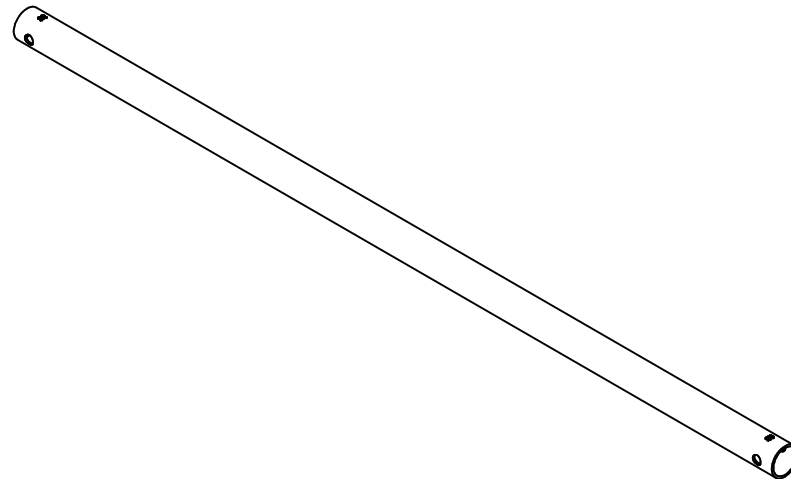
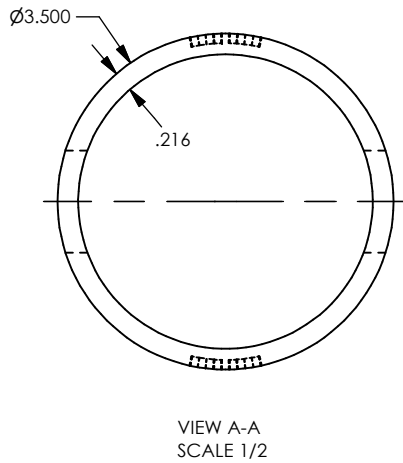
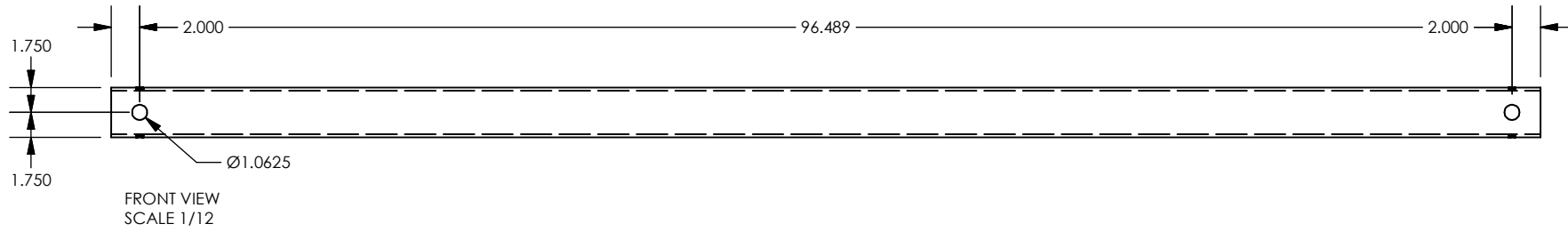
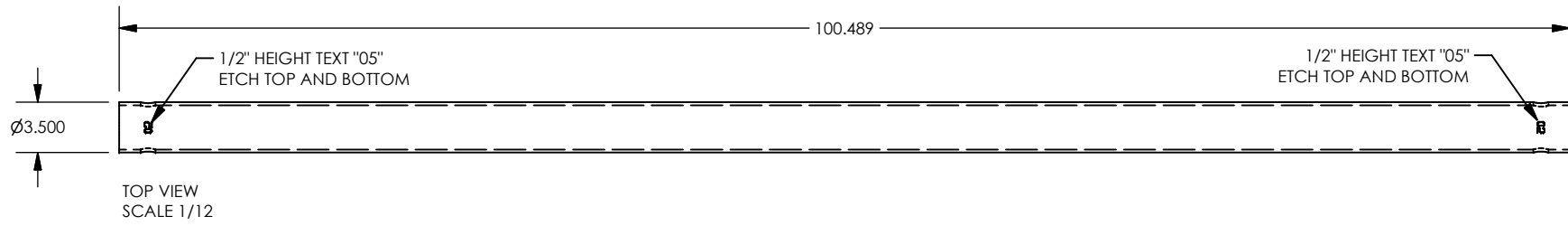
Weight : N/A
Material : Steel, Galvanized

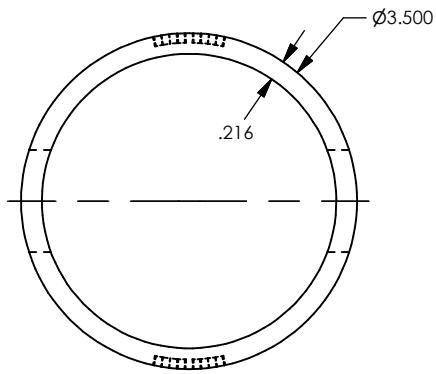
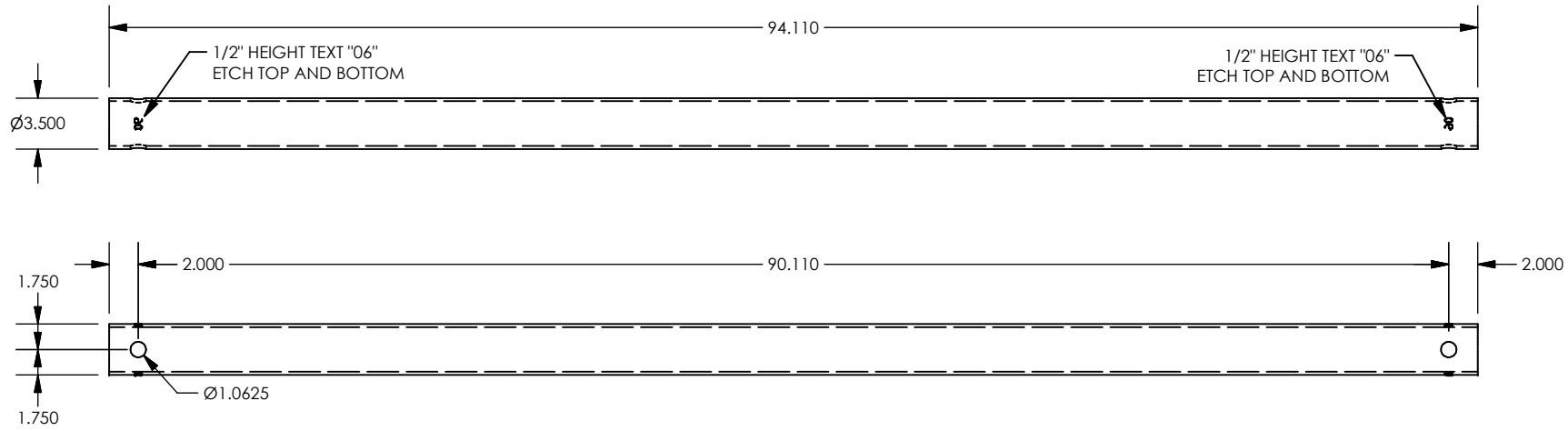




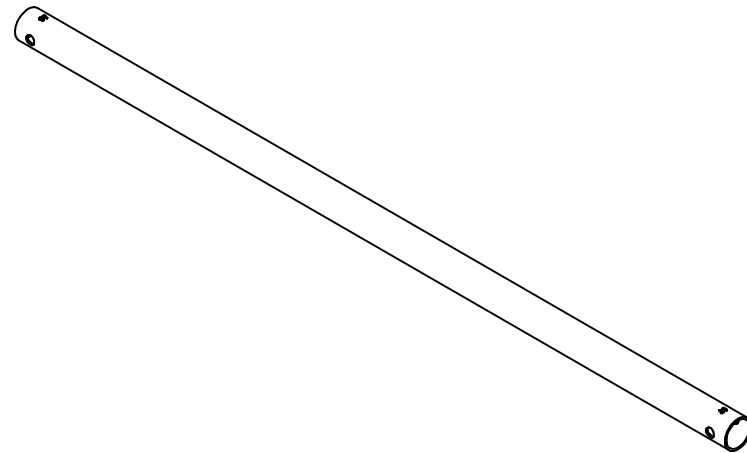


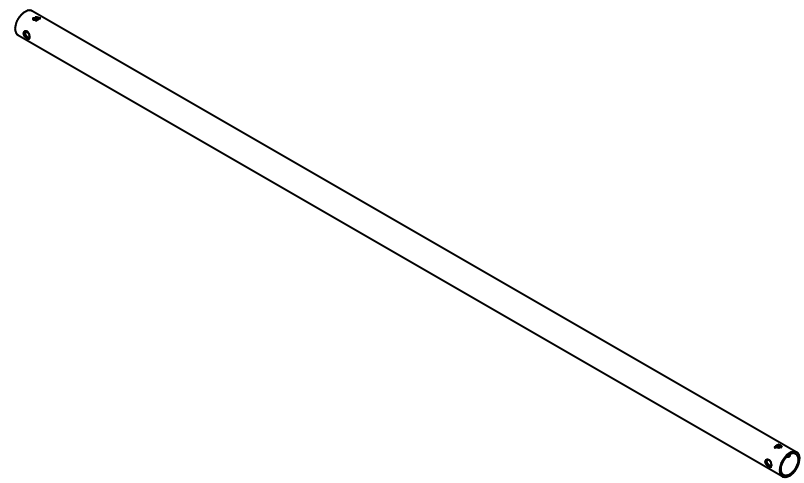
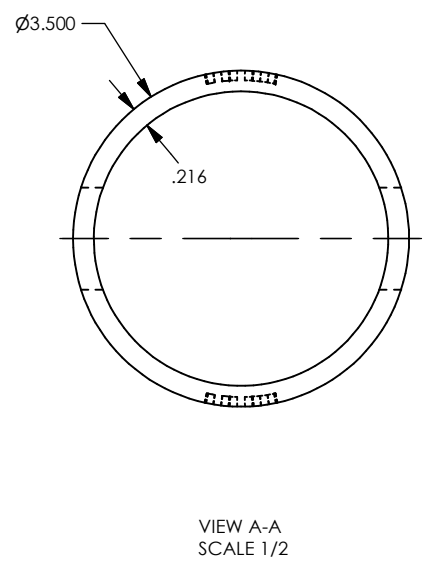
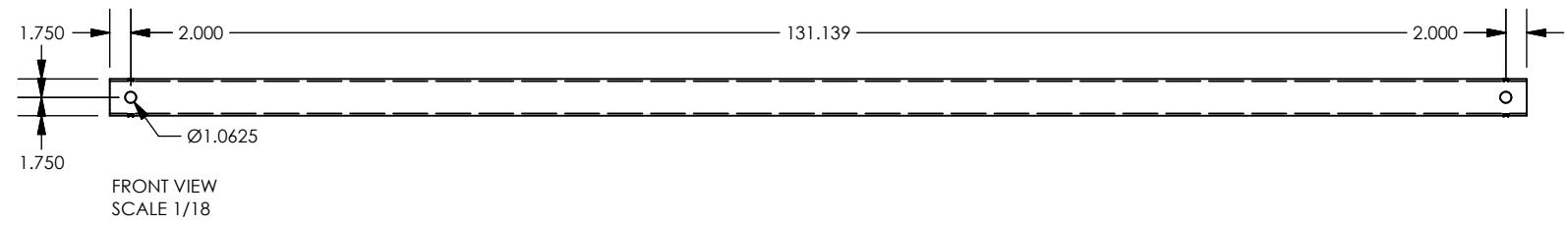
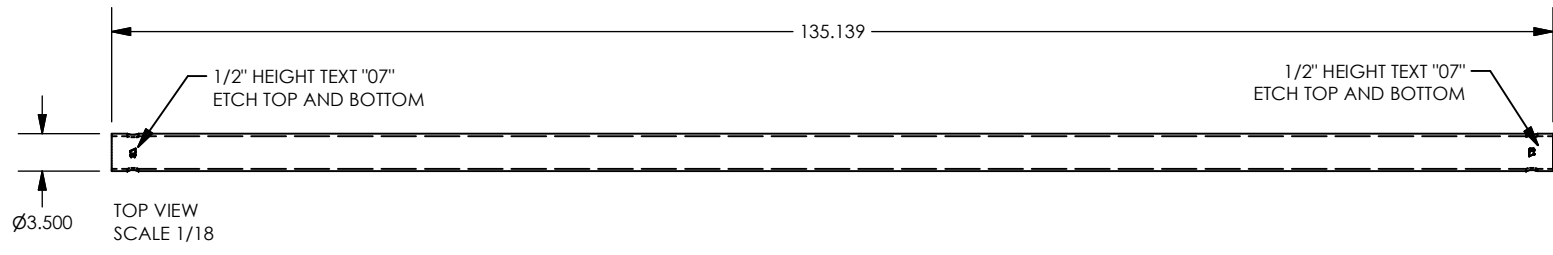


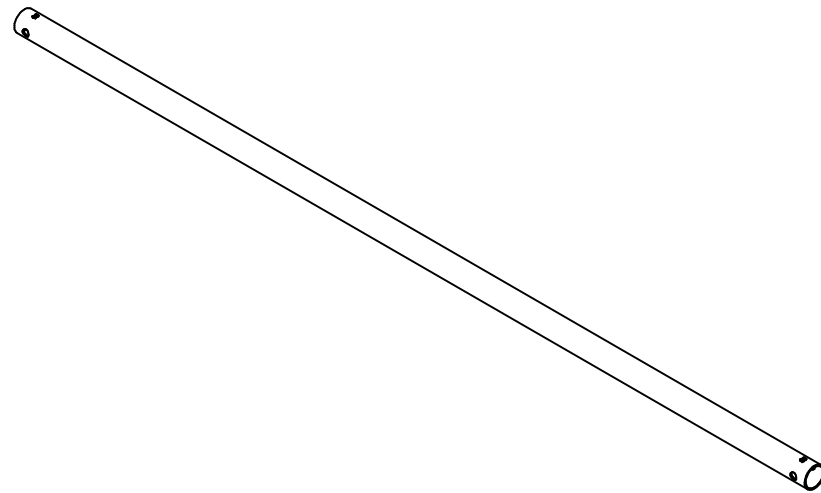
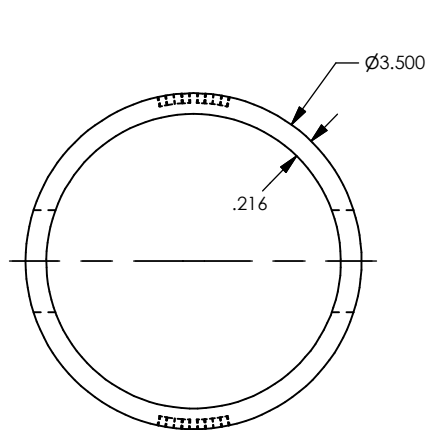
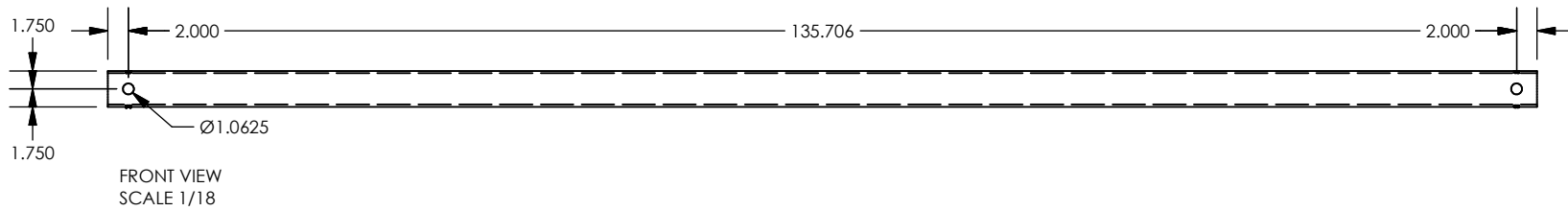
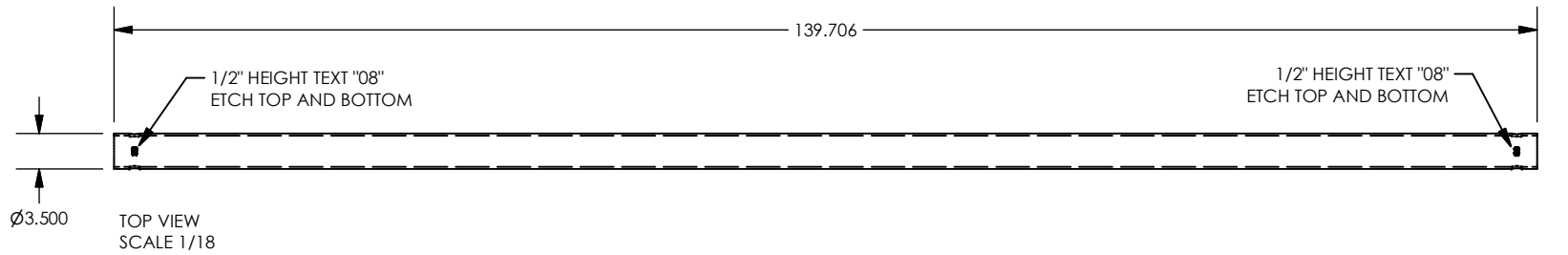


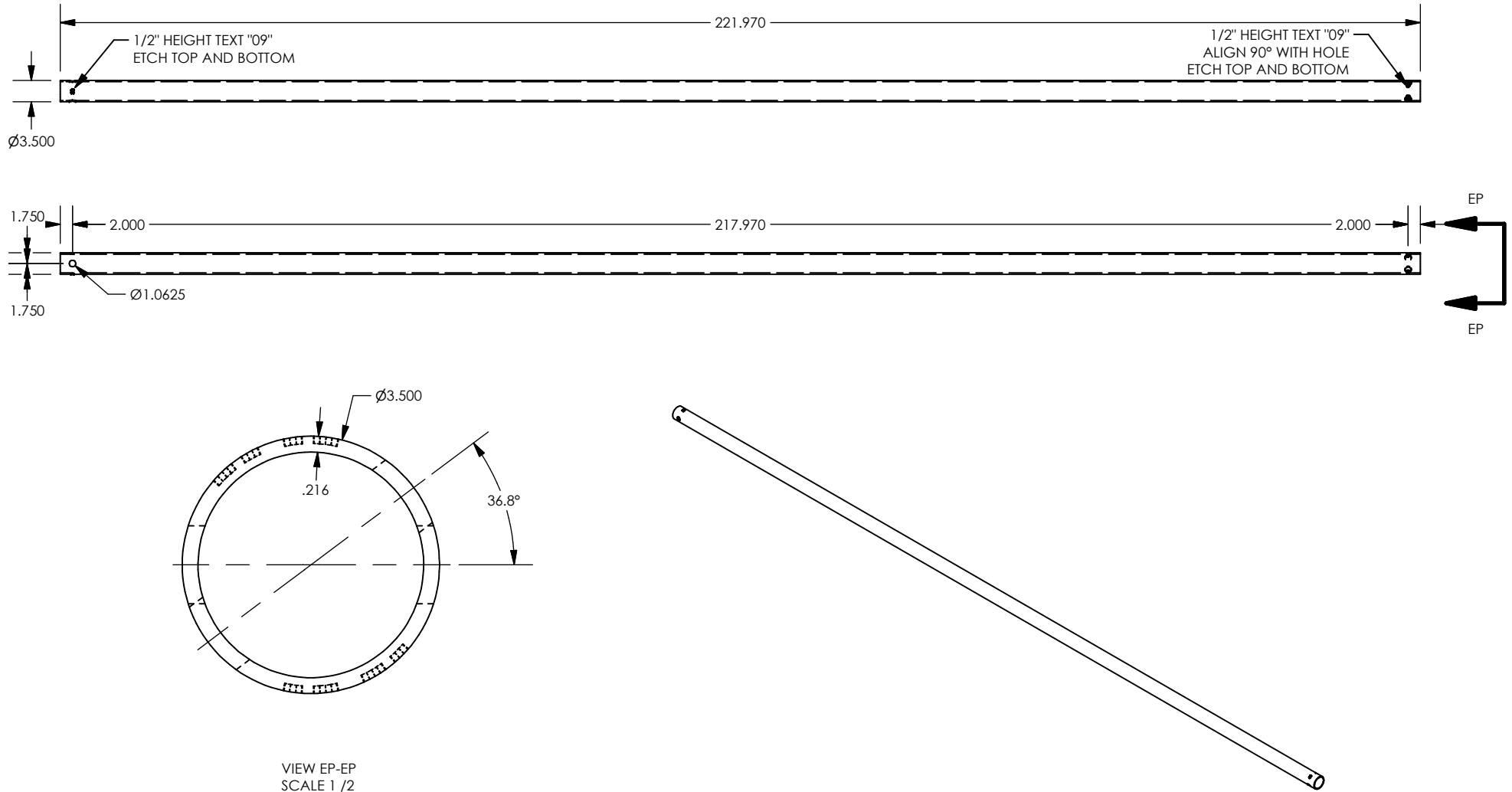


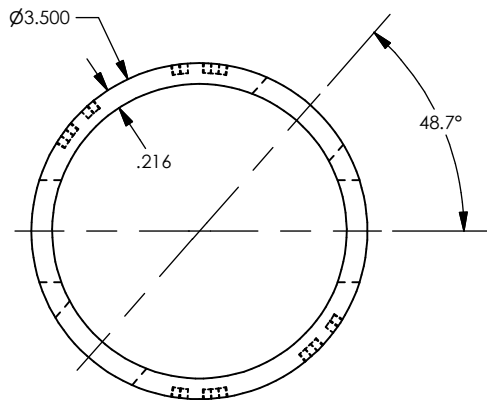
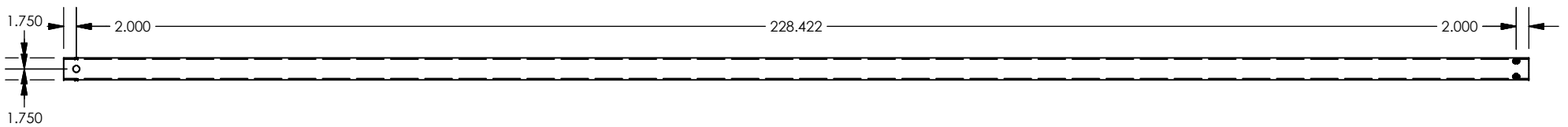
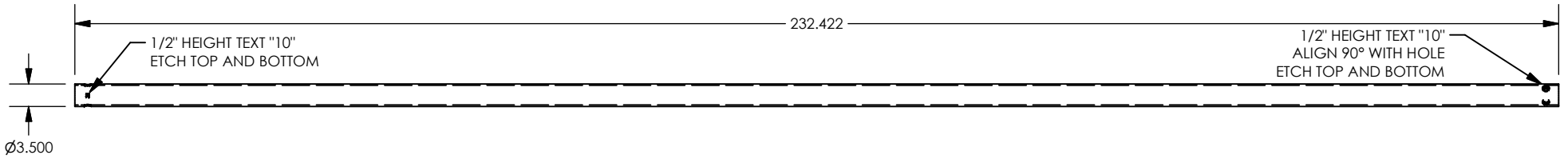
VIEW A-A
SCALE 1/2



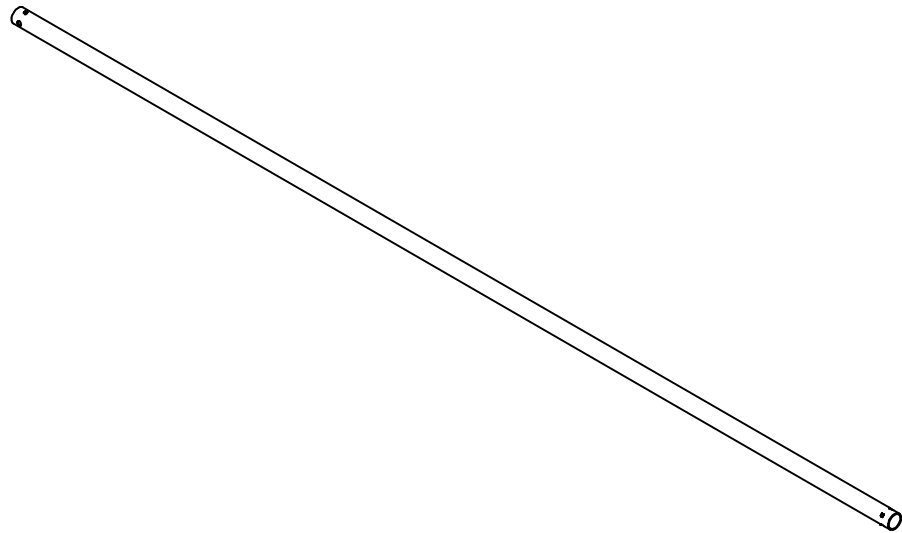


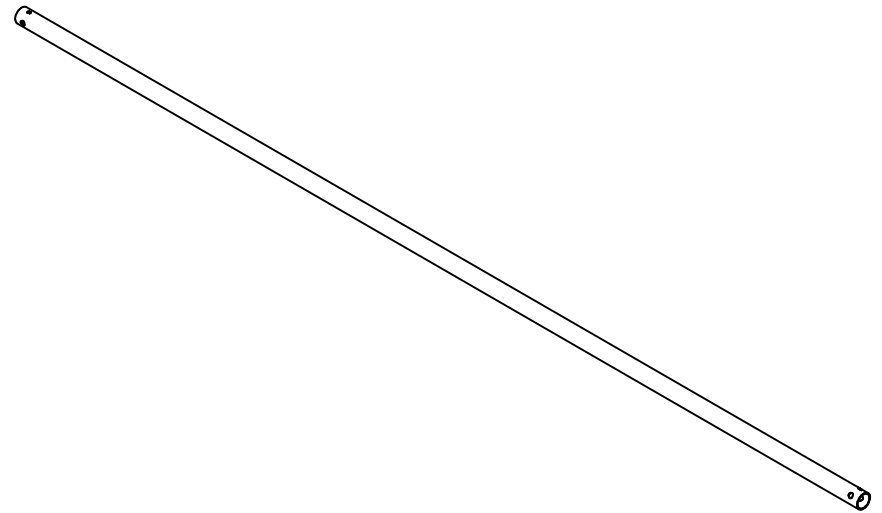
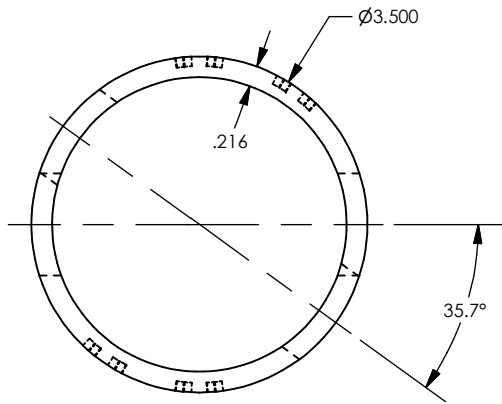
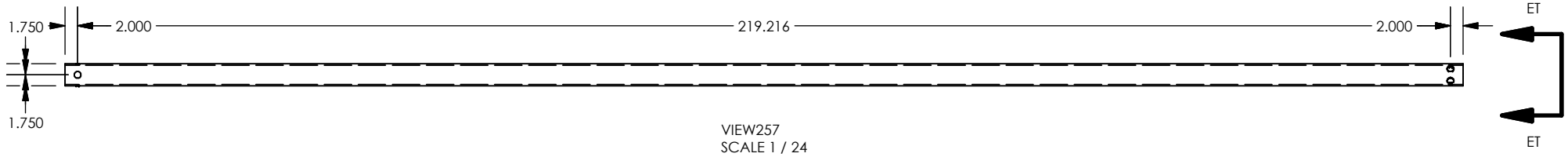
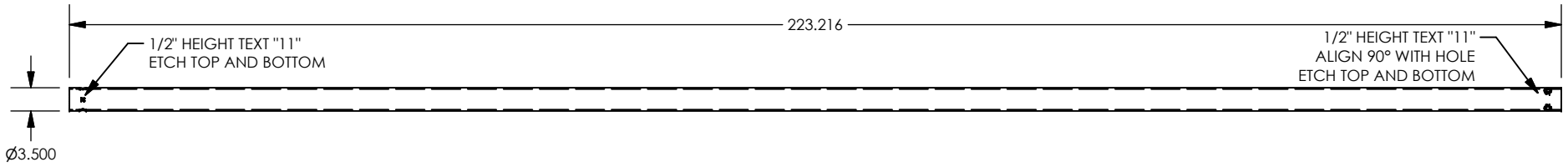


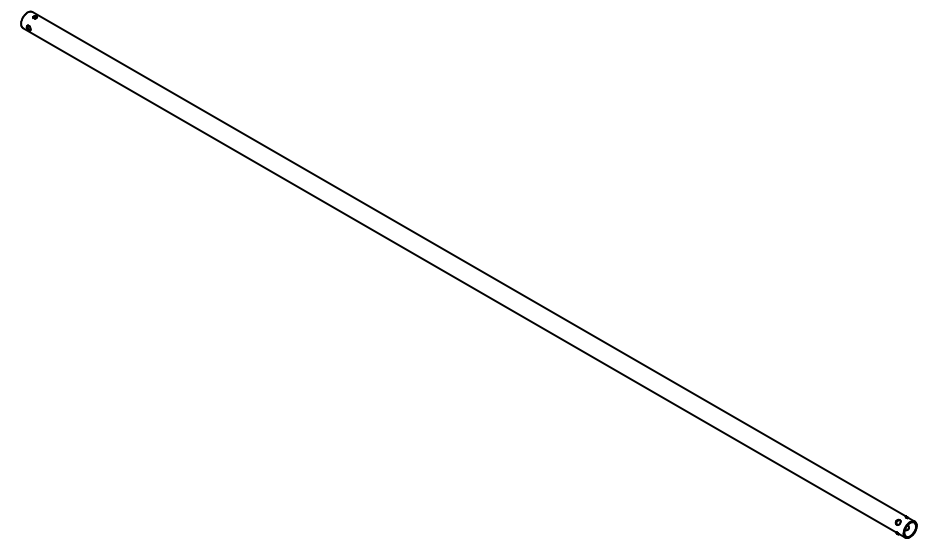
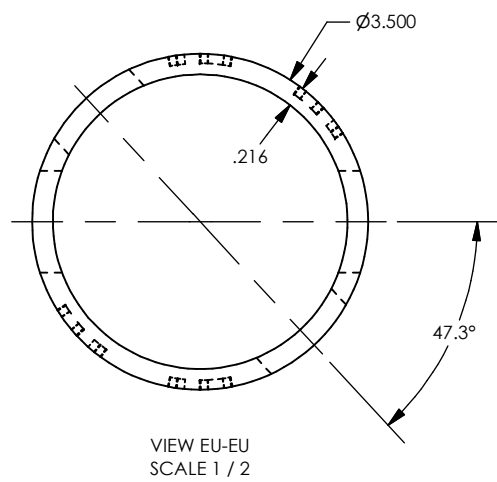
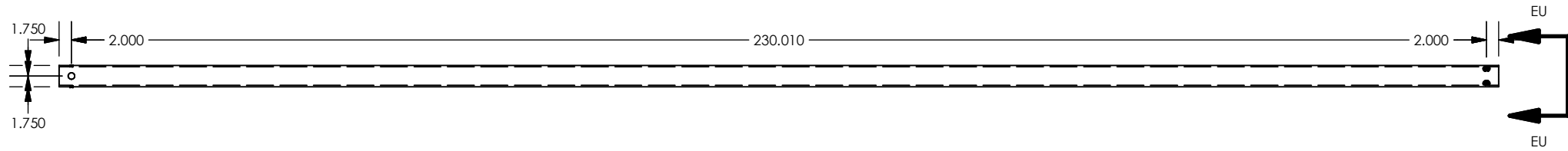
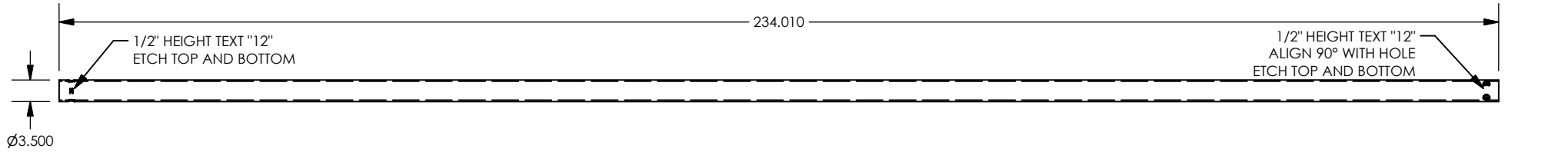


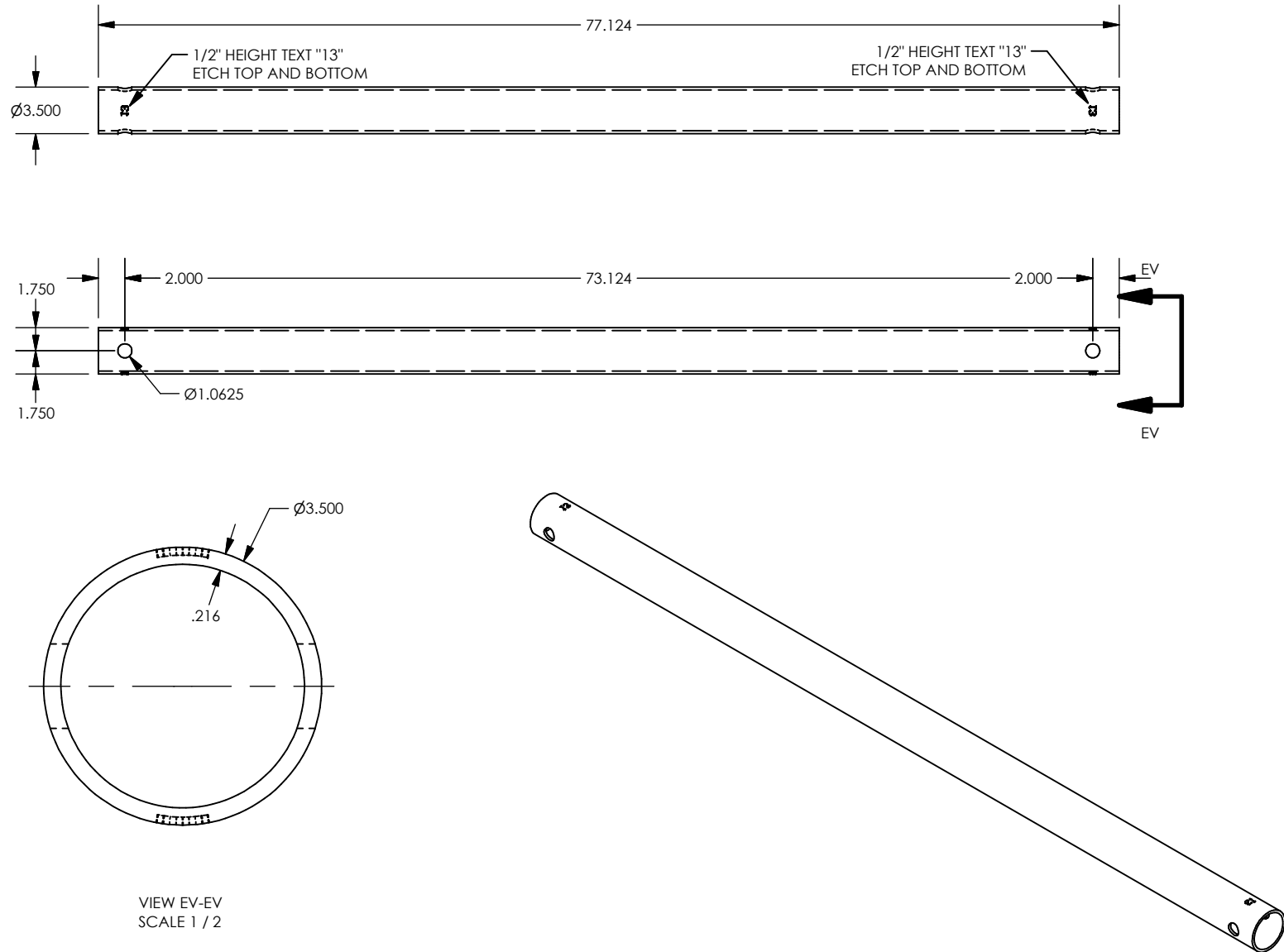


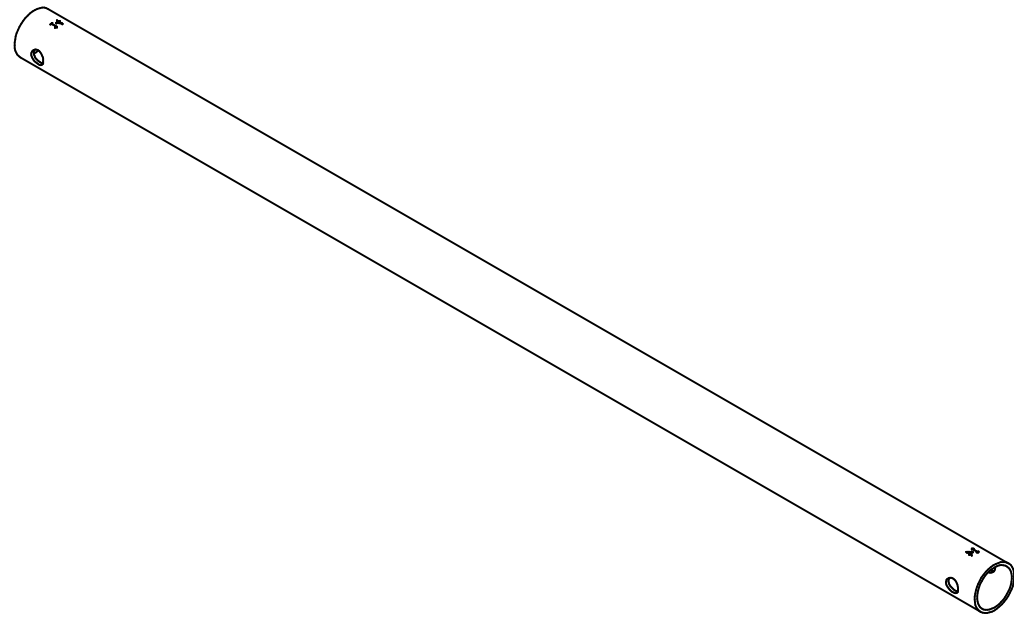
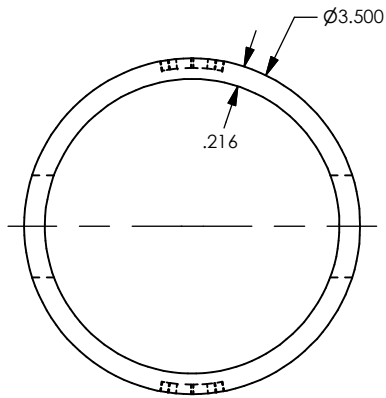
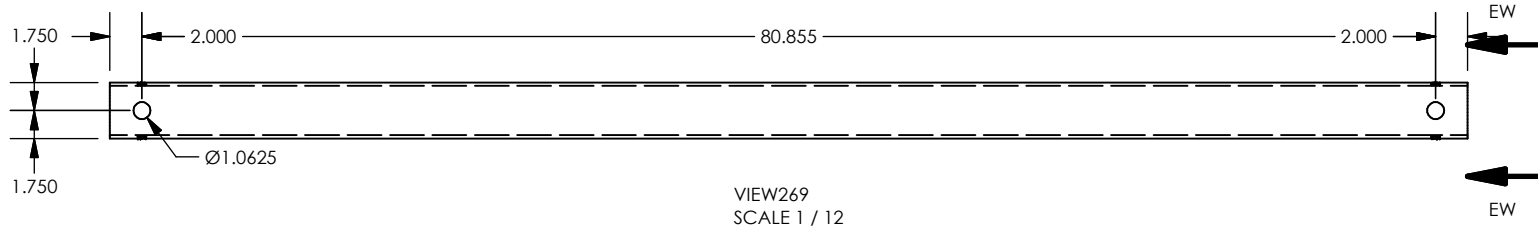
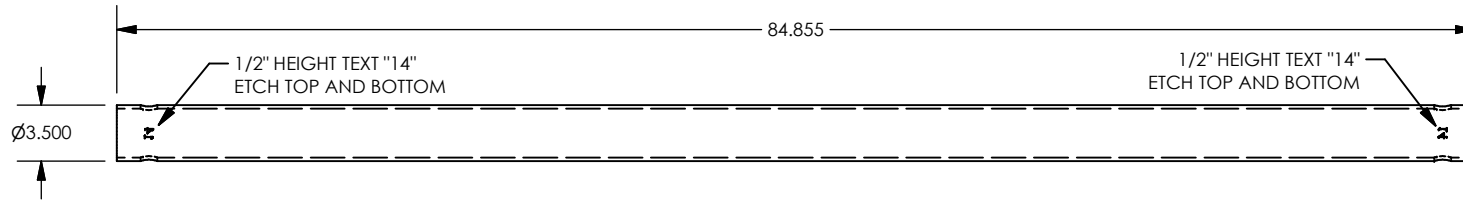
VIEW ER-ER
SCALE 1 / 2

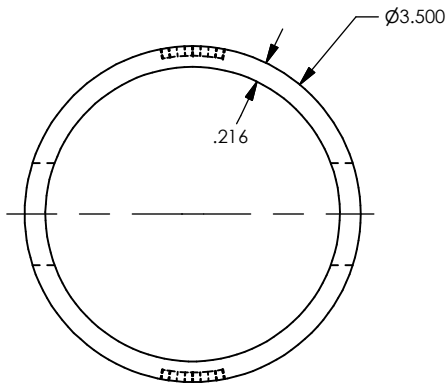
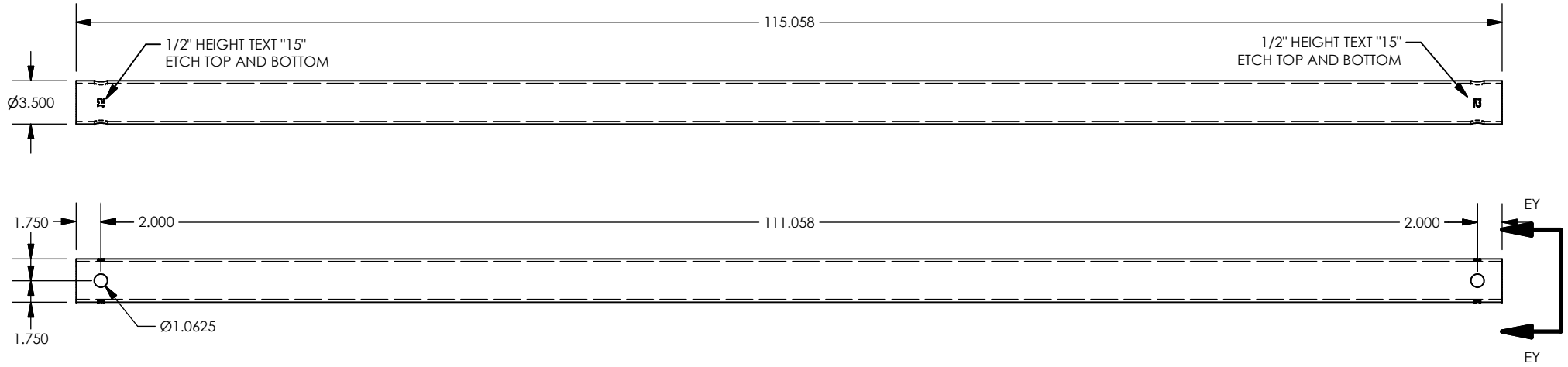




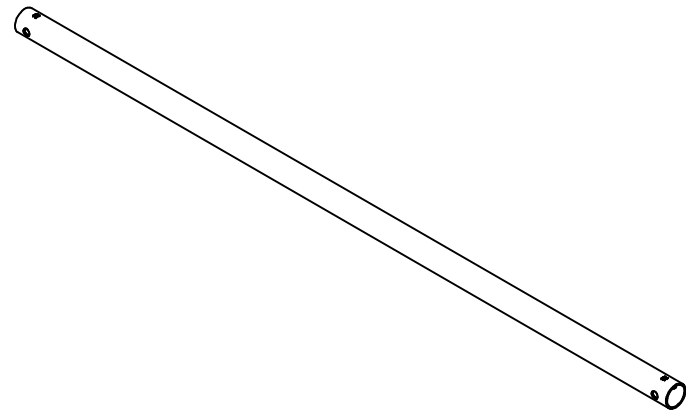


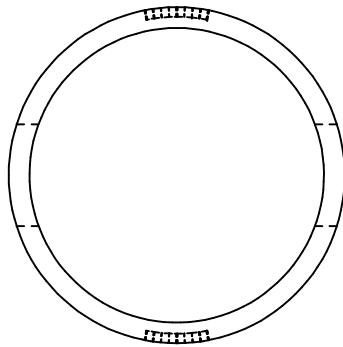
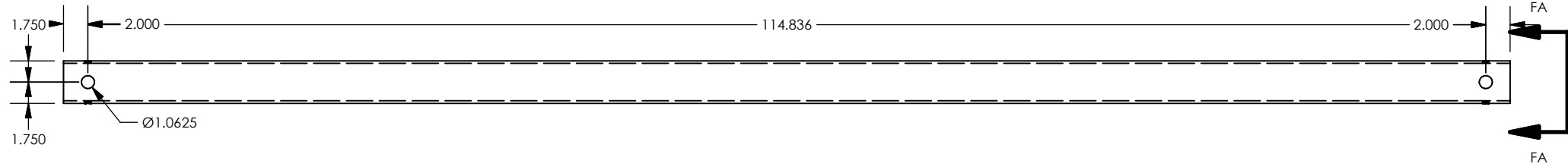
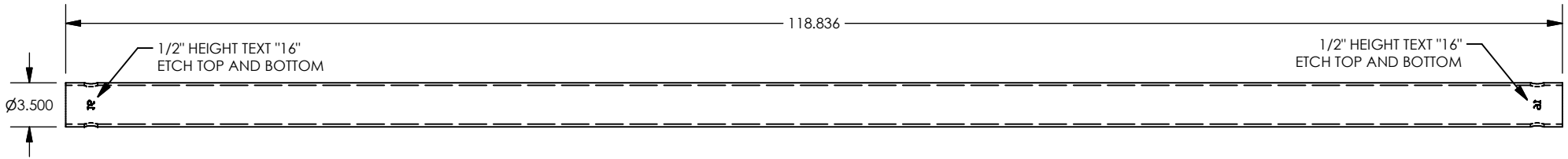




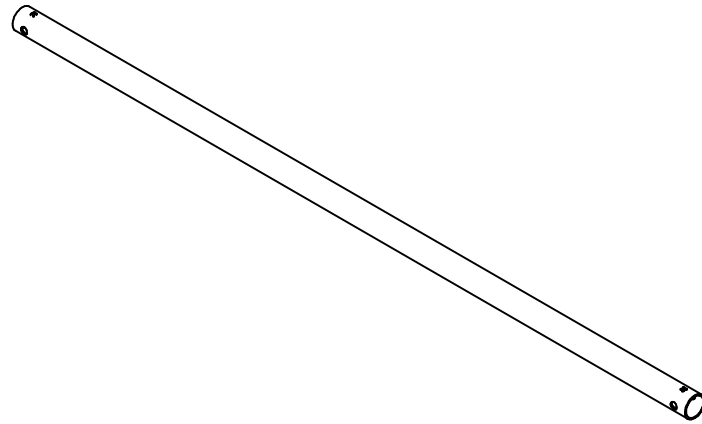


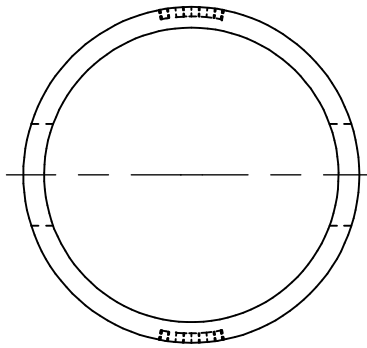
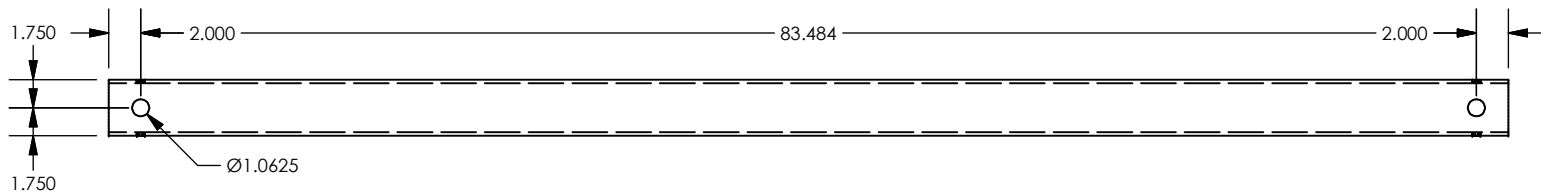
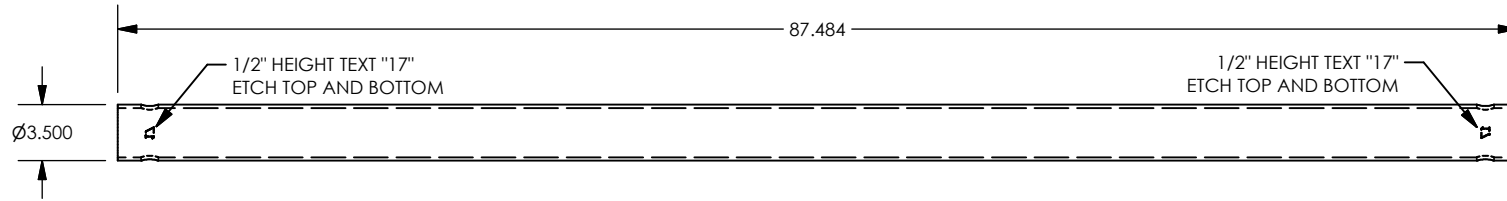
VIEW EY-EY
SCALE 1/2



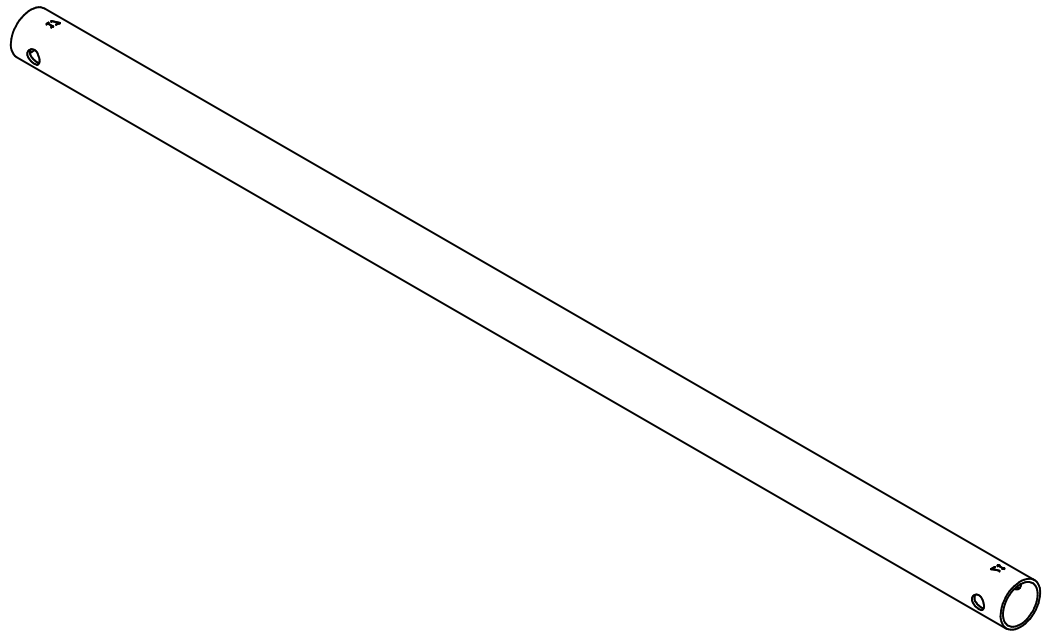


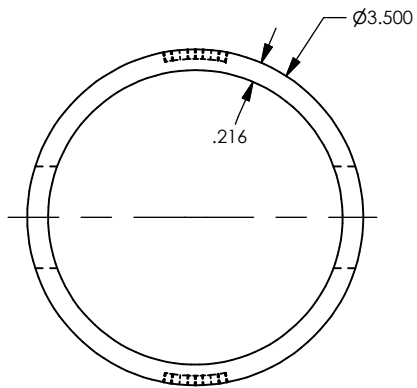
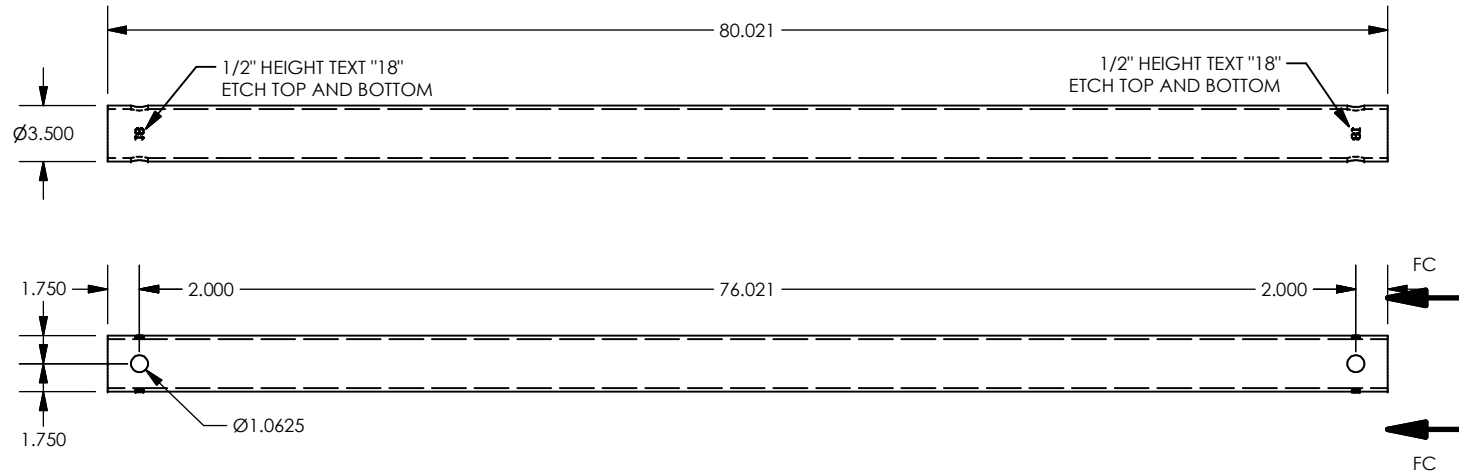
VIEW FA-FA
SCALE 1 / 2



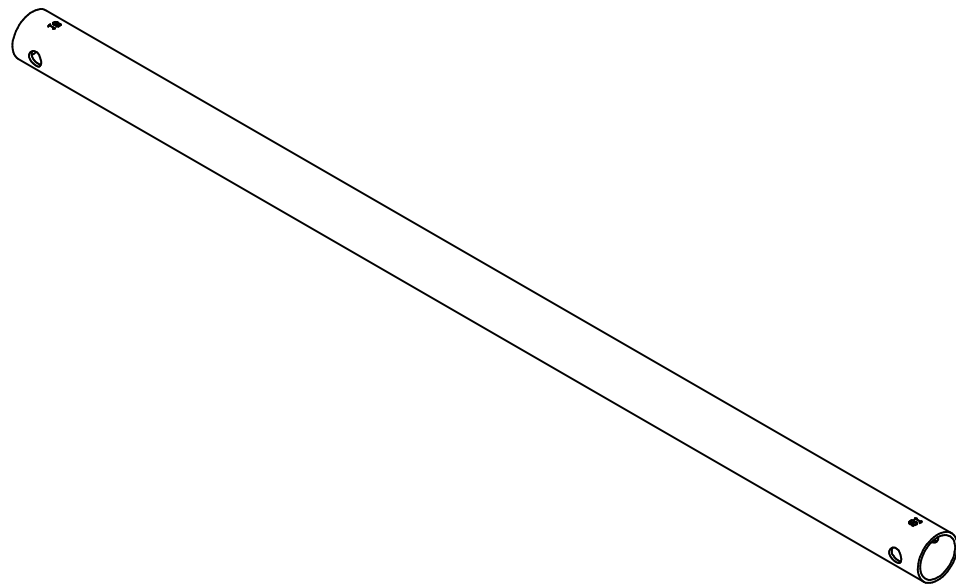


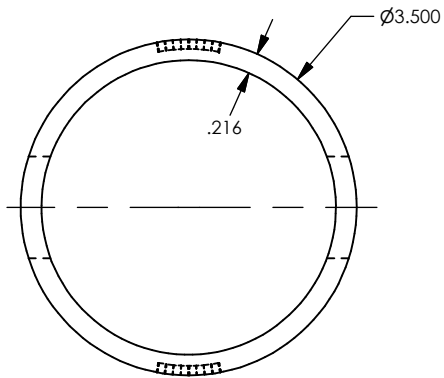
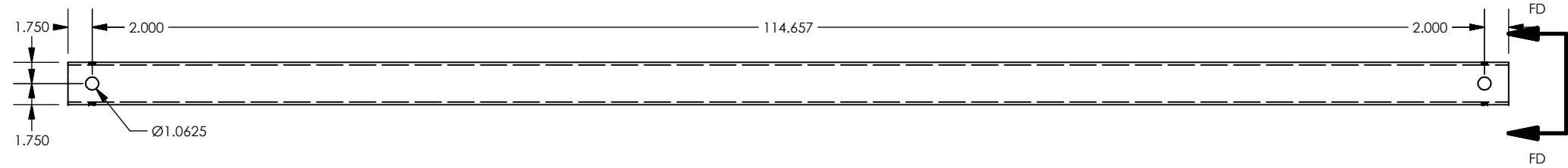
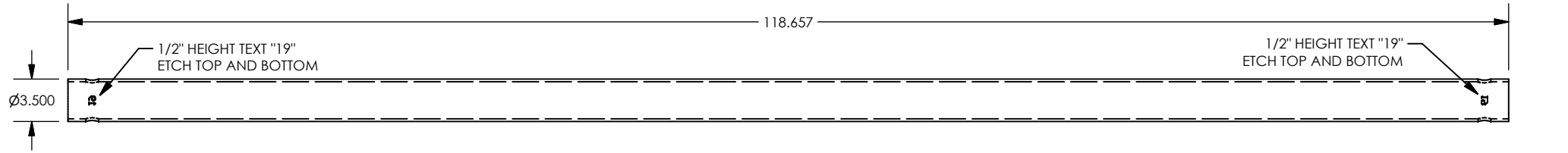
VIEW FB-FB
SCALE 1/2



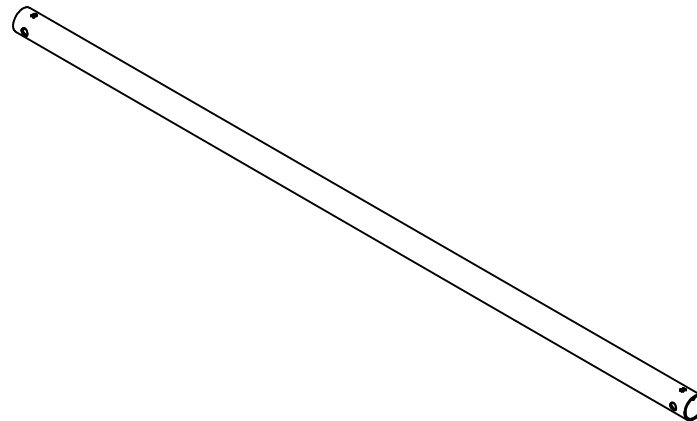


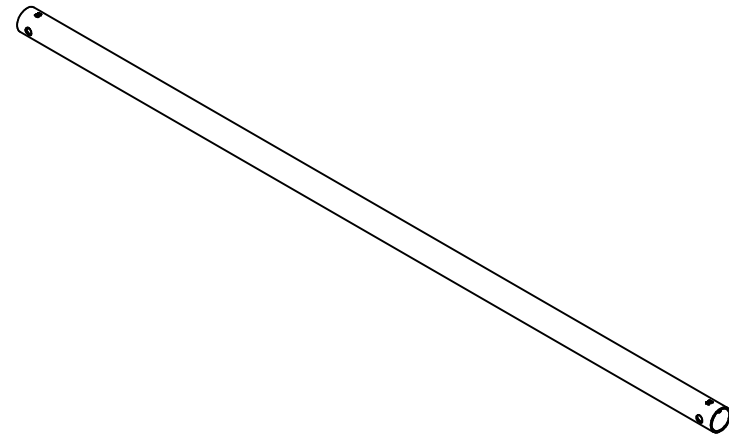
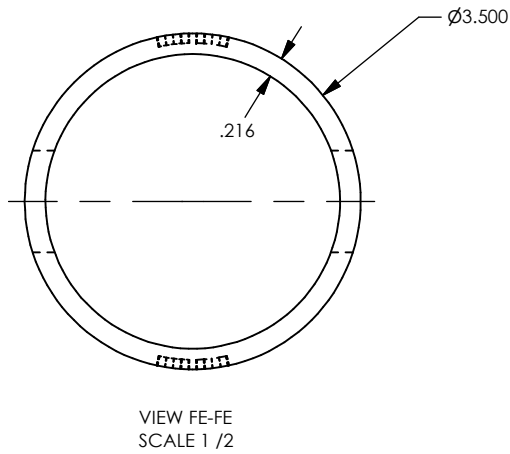
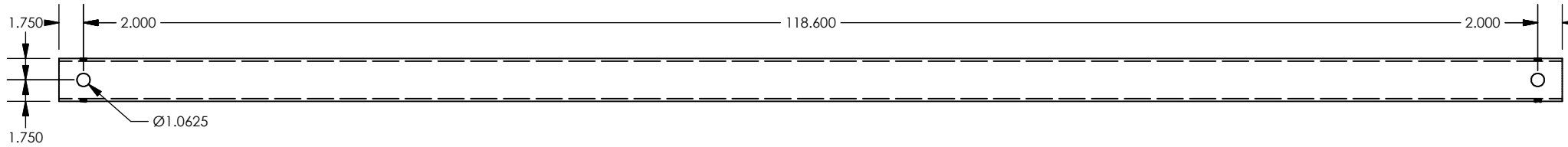
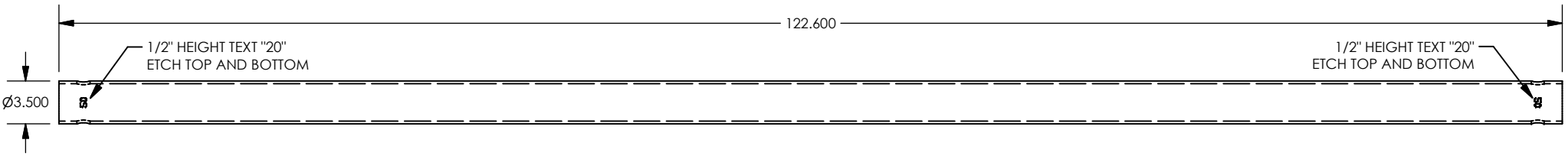
VIEW FC-FC
SCALE 1 / 2

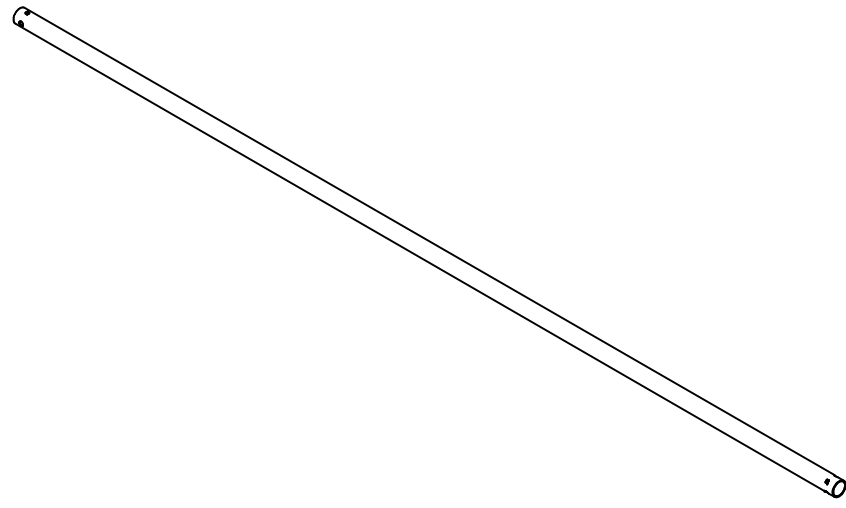
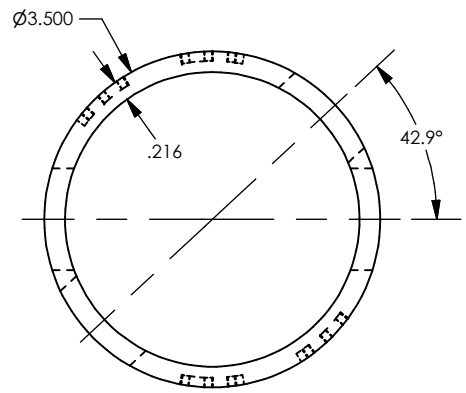
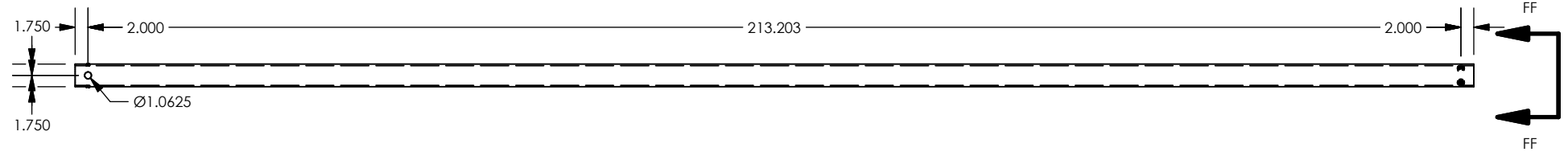
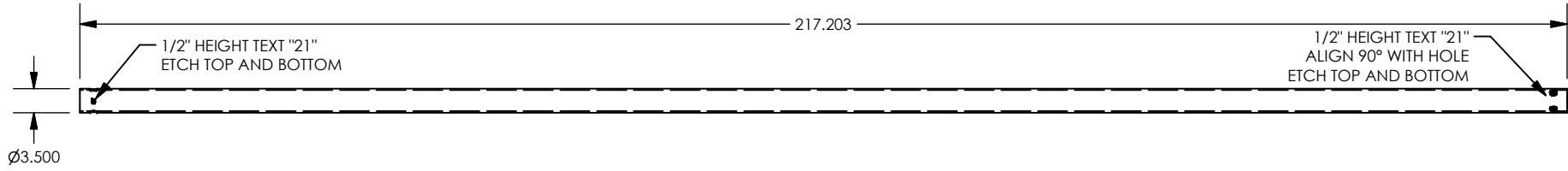


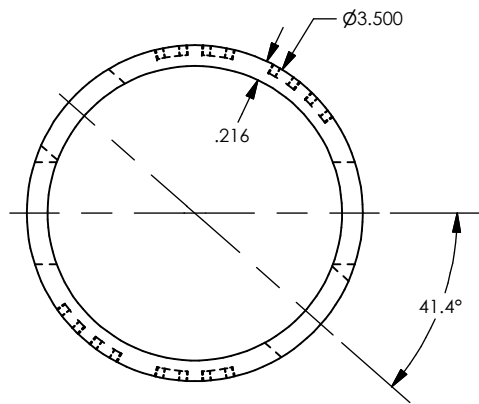
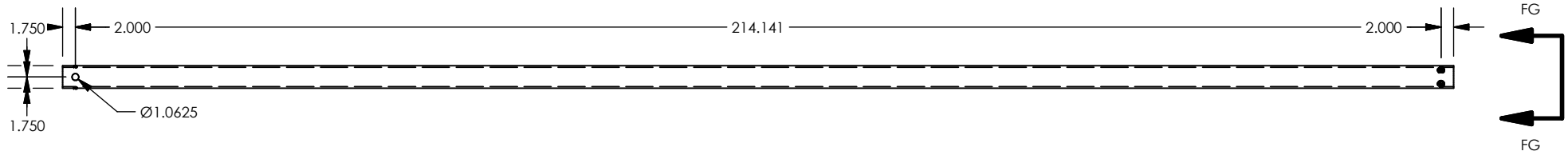
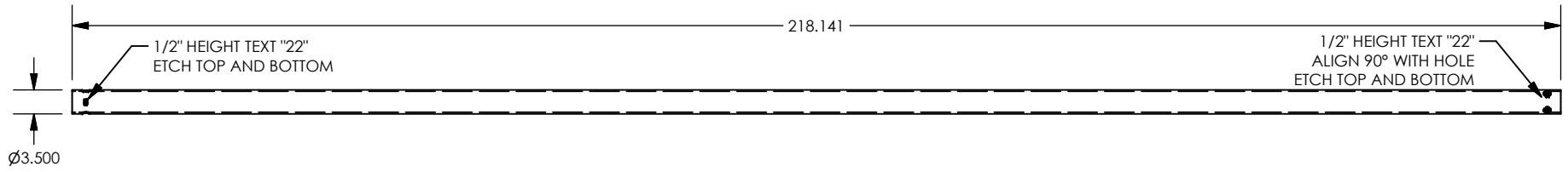


VIEW FD-FD
SCALE 1 / 2

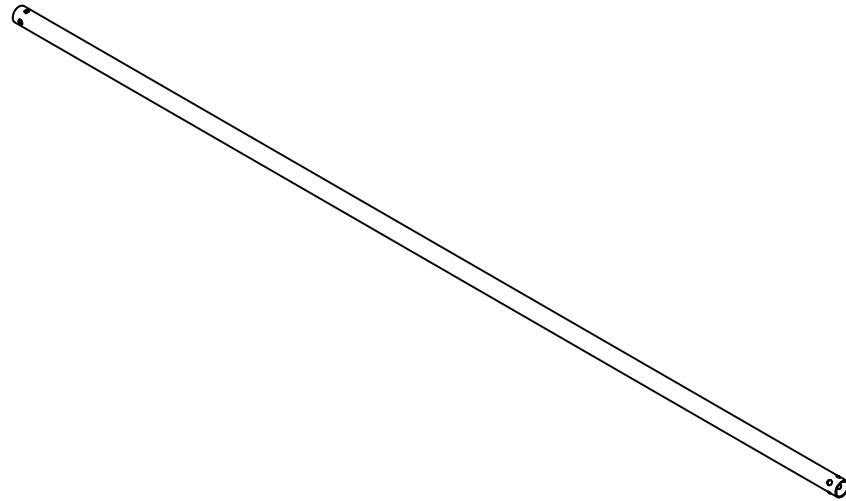


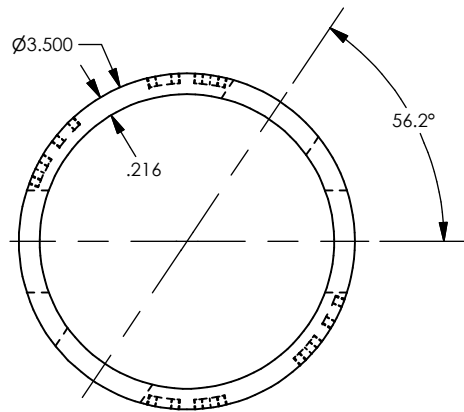
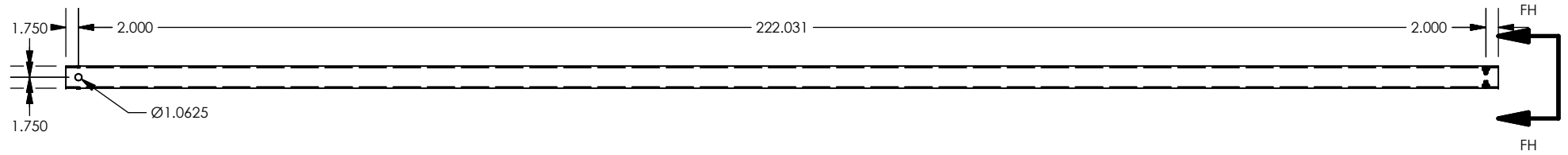
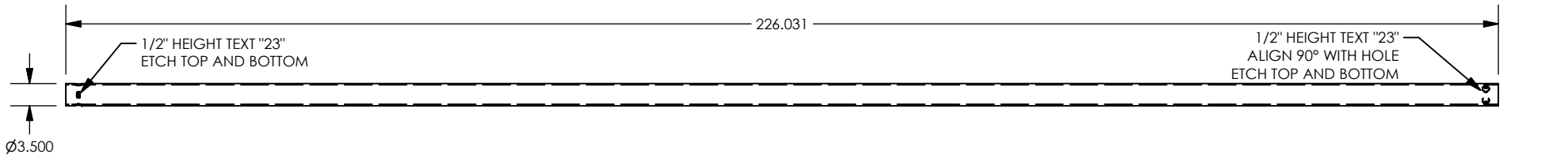




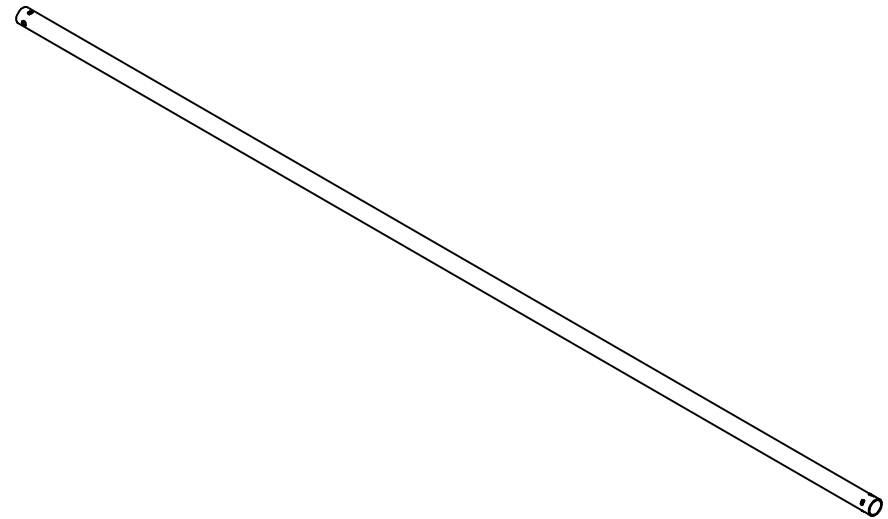


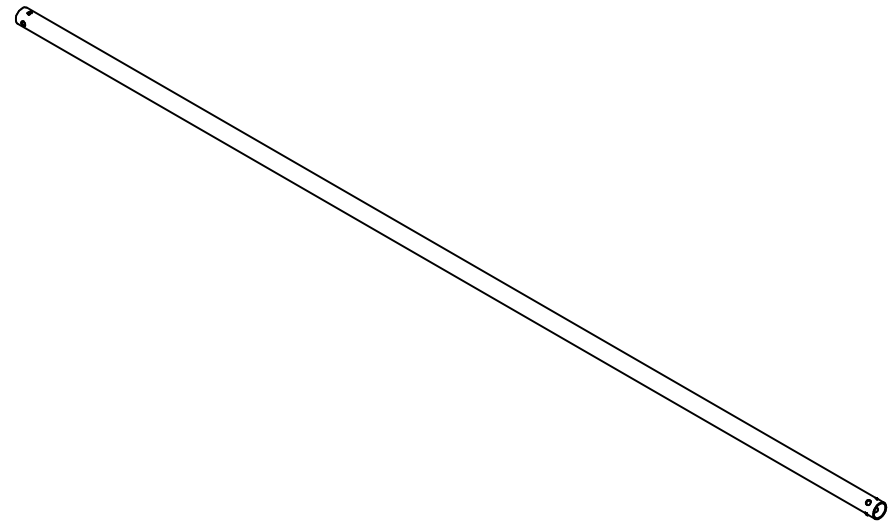
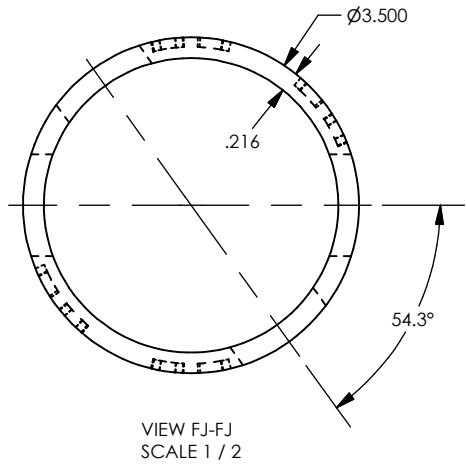
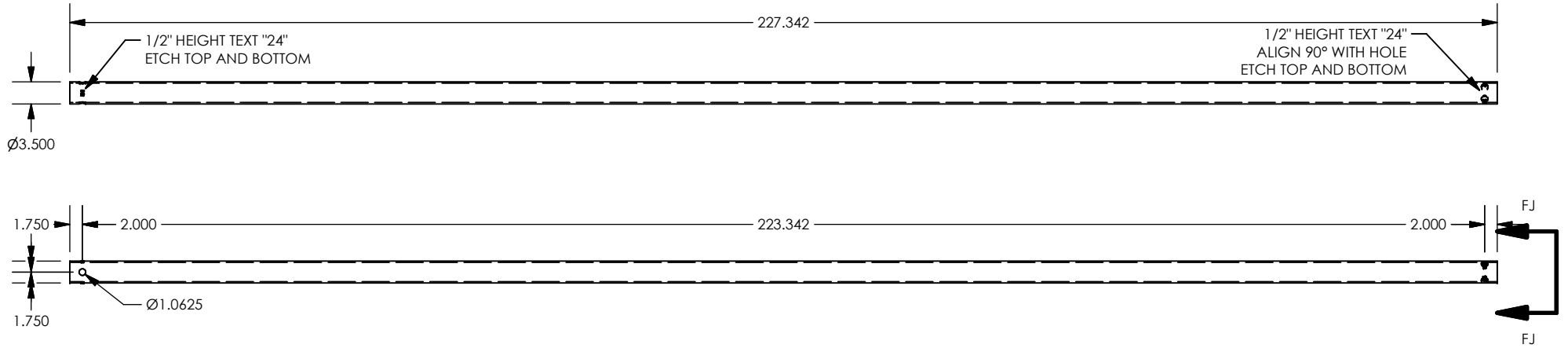
VIEW FG-FG
SCALE 1 / 2

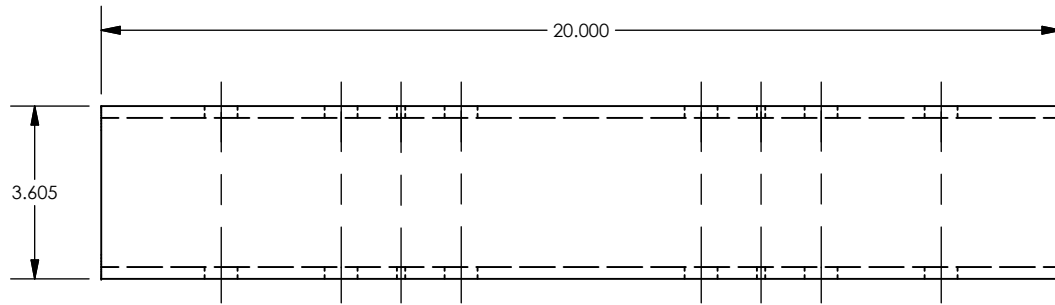




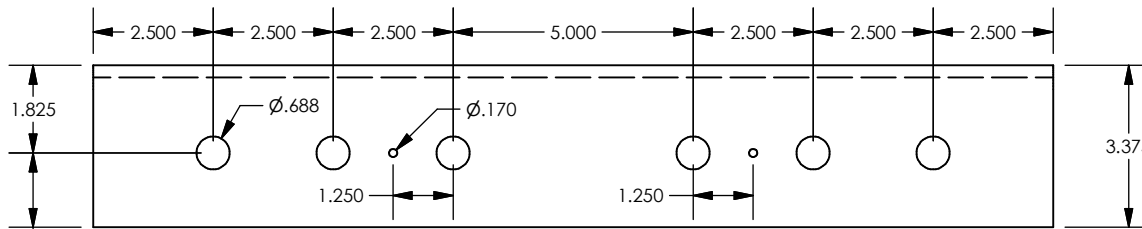
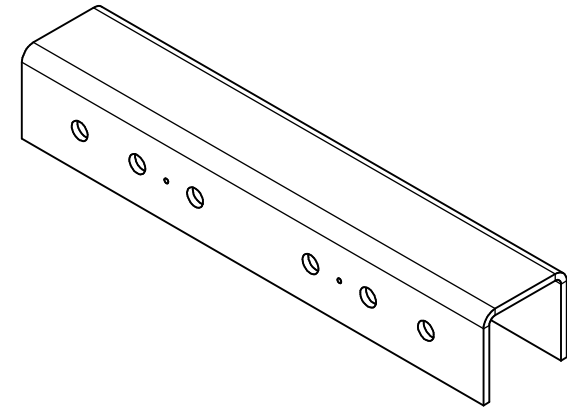
VIEW FH-FH
SCALE 1 / 2



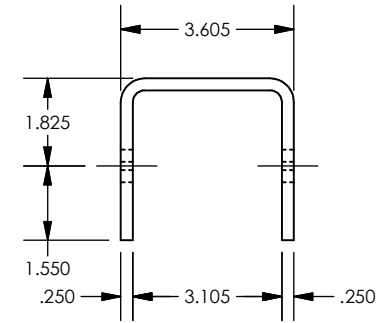




TOP VIEW
SCALE 1/4



FRONT VIEW
SCALE 1/4



RIGHT VIEW
SCALE 1/4

Weight : 13.196 lbmass
Material : Steel, Galvanized



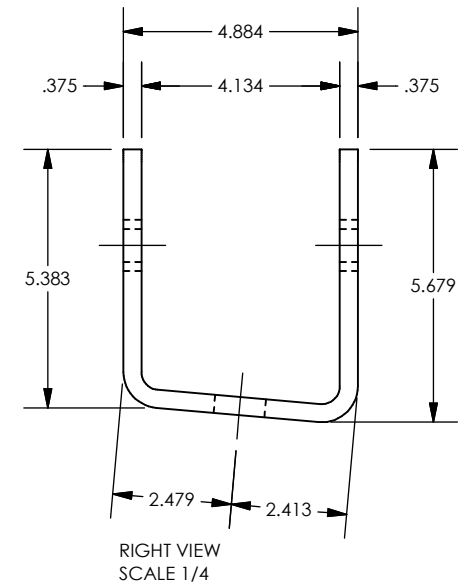
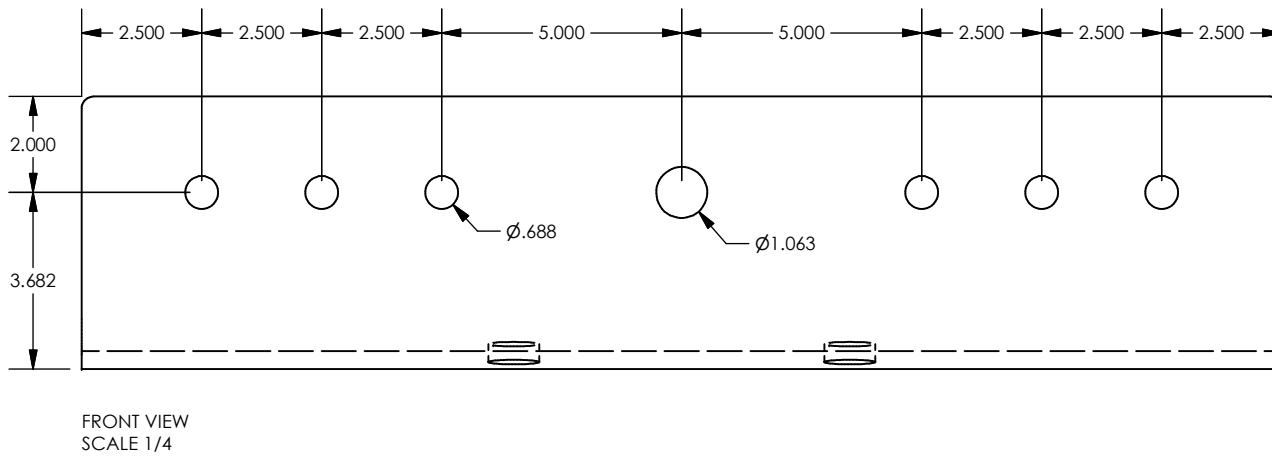
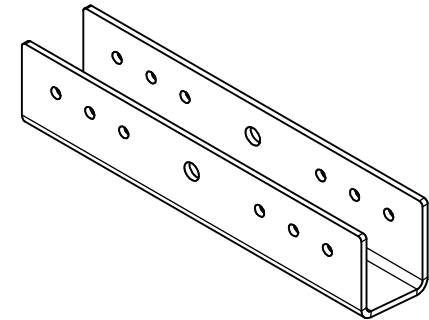
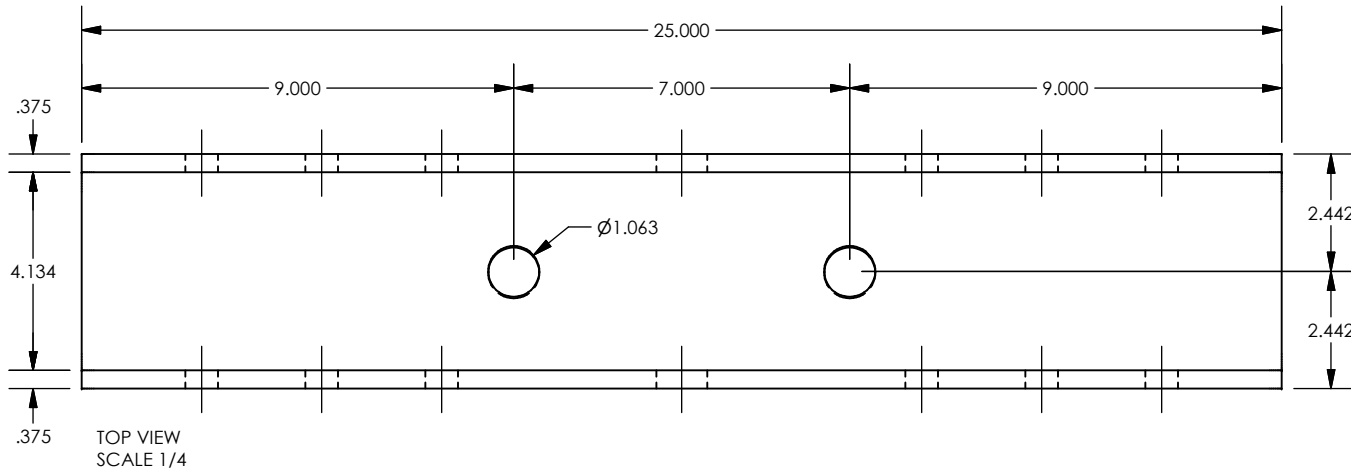
QUEST RENEWABLES
75 5th St. NW, Suite 2150
Atlanta, Georgia 30308

Quad Pod: 3D Truss
Racking & Mounting System

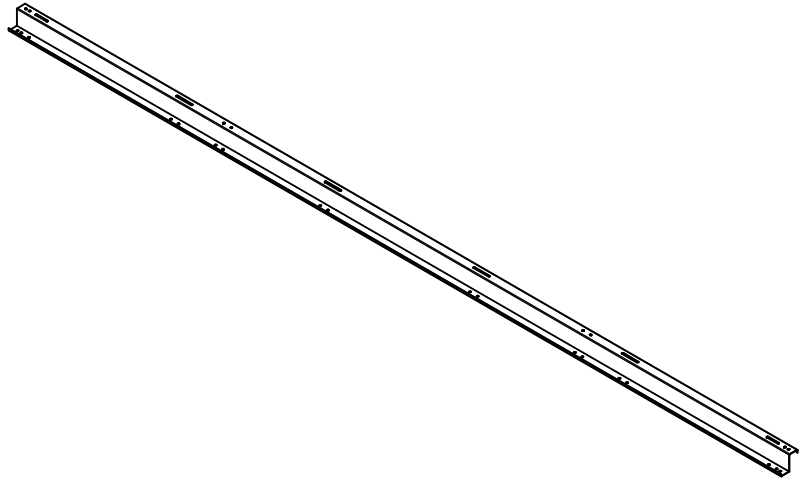
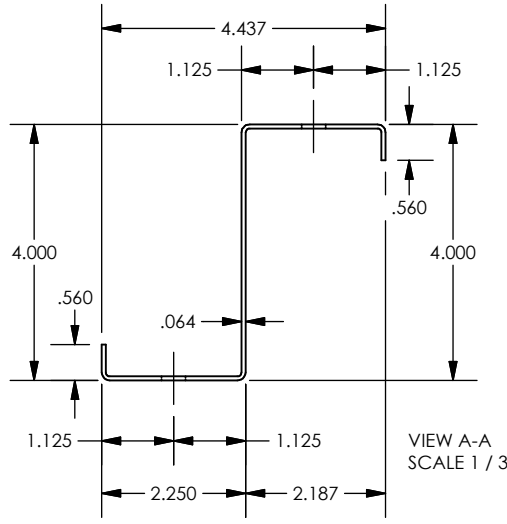
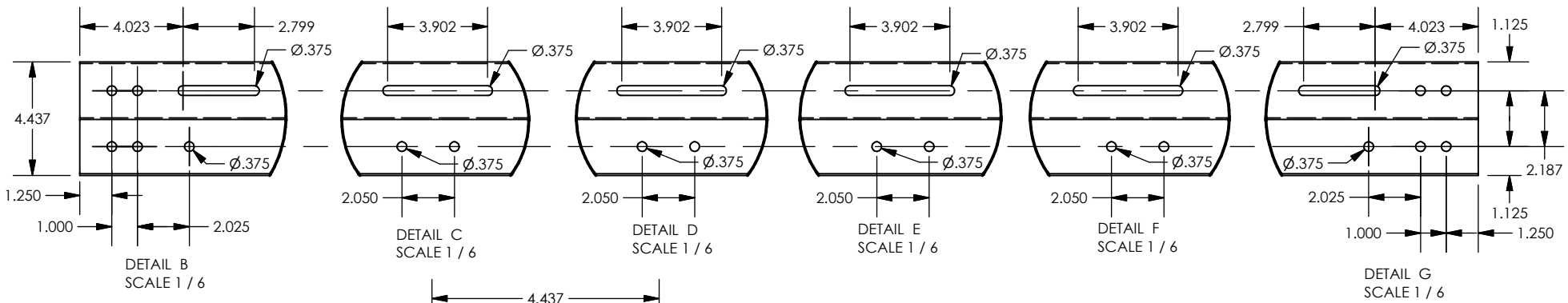
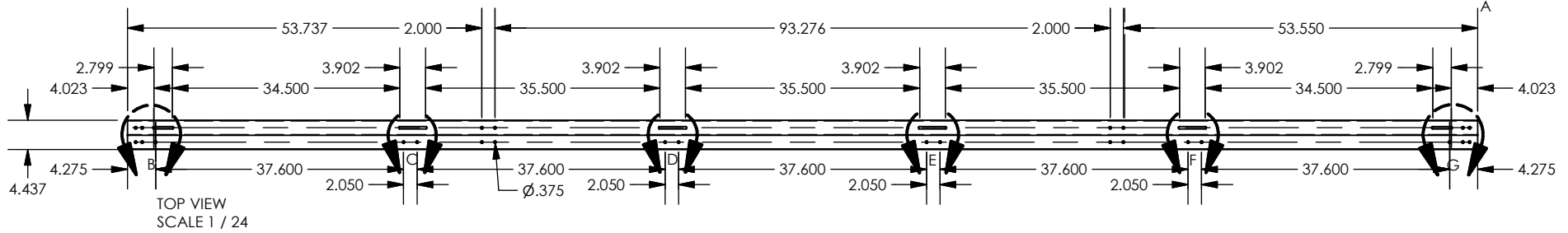
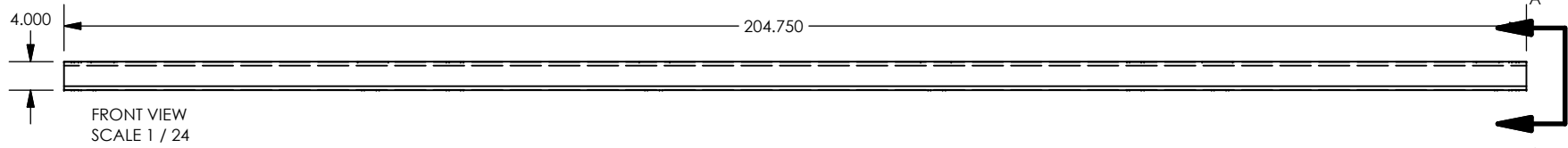
Splice
IS_J00701

Georgia Tech
Proprietary and Confidential

DATE: 10/20/2016
DRAWN BY: jkeane3
CHECKED BY:



Weight : 38.310 lbmass
Material : Steel, Galvanized



Weight : N/A
Material : Steel, Galvanized



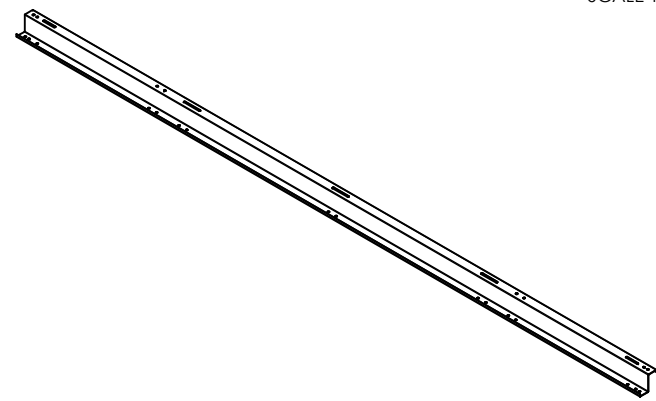
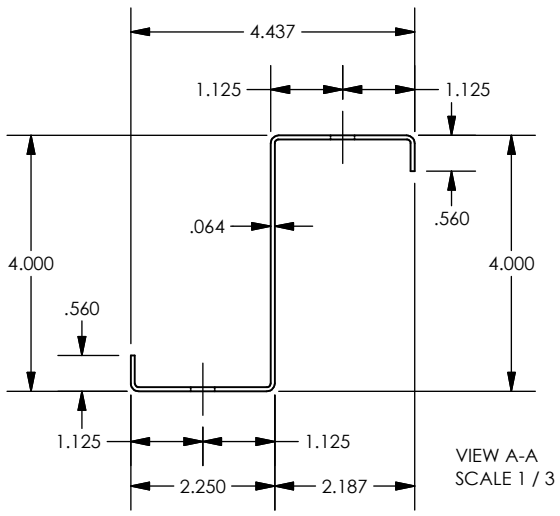
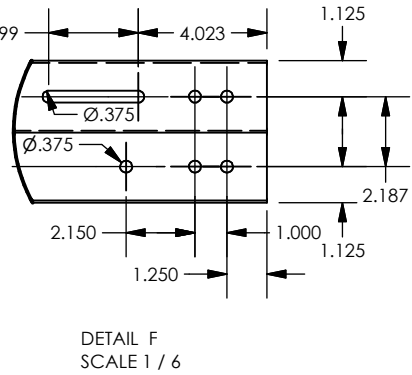
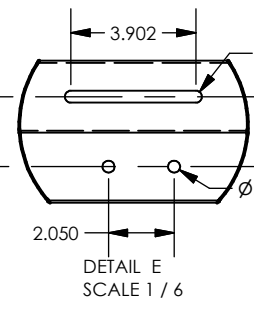
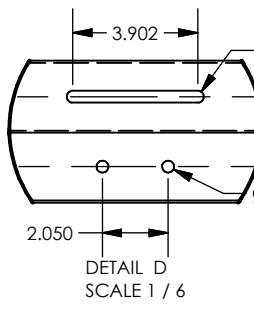
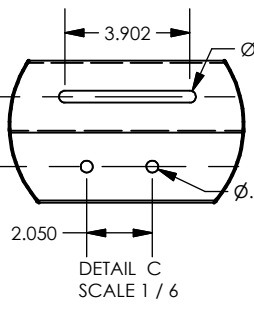
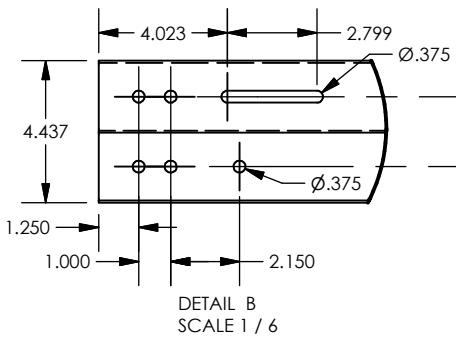
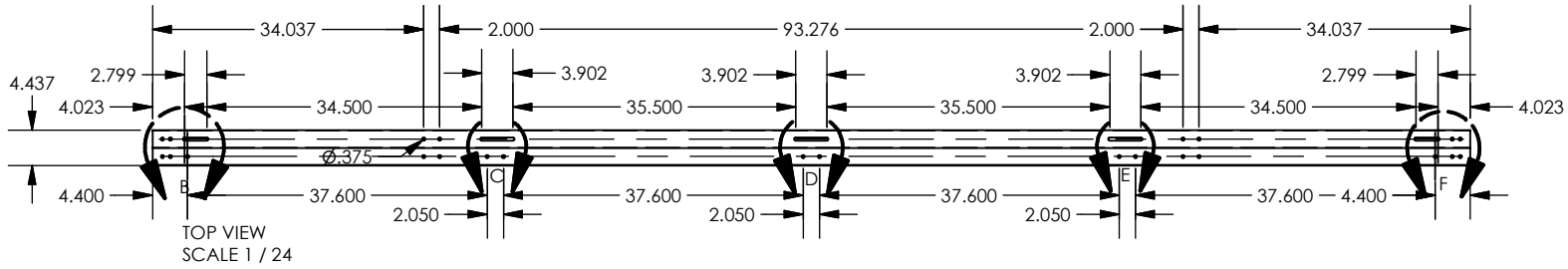
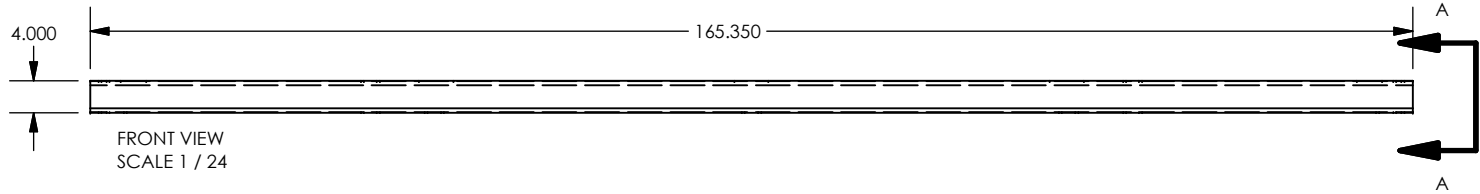
QUEST RENEWABLES
75 5th St. NW, Suite 2150
Atlanta, Georgia 30308

Quad Pod: 3D Truss
Racking & Mounting System

Purlin
MP5_J00701

Georgia Tech
Proprietary and Confidential

DATE: 10/20/2016
DRAWN BY: jkeane3
CHECKED BY:



Weight : N/A
Material : Steel, Galvanized



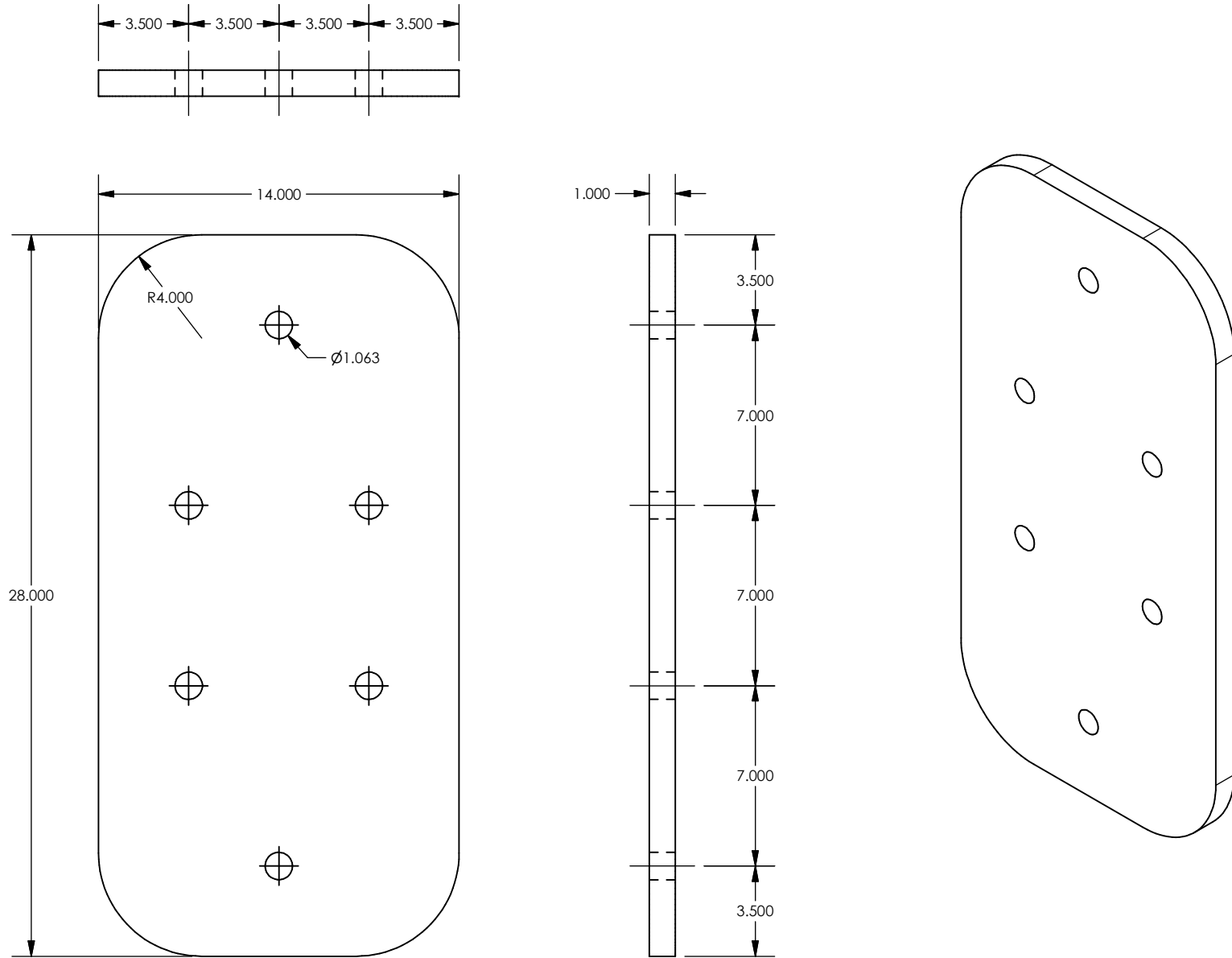
QUEST RENEWABLES
75 5th St. NW, Suite 2150
Atlanta, Georgia 30308

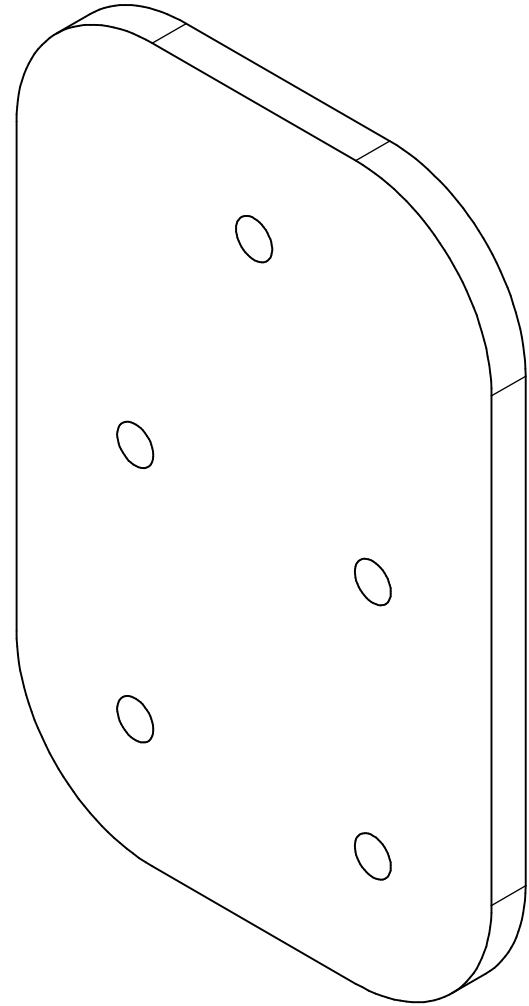
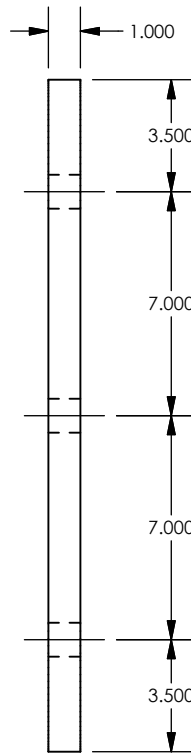
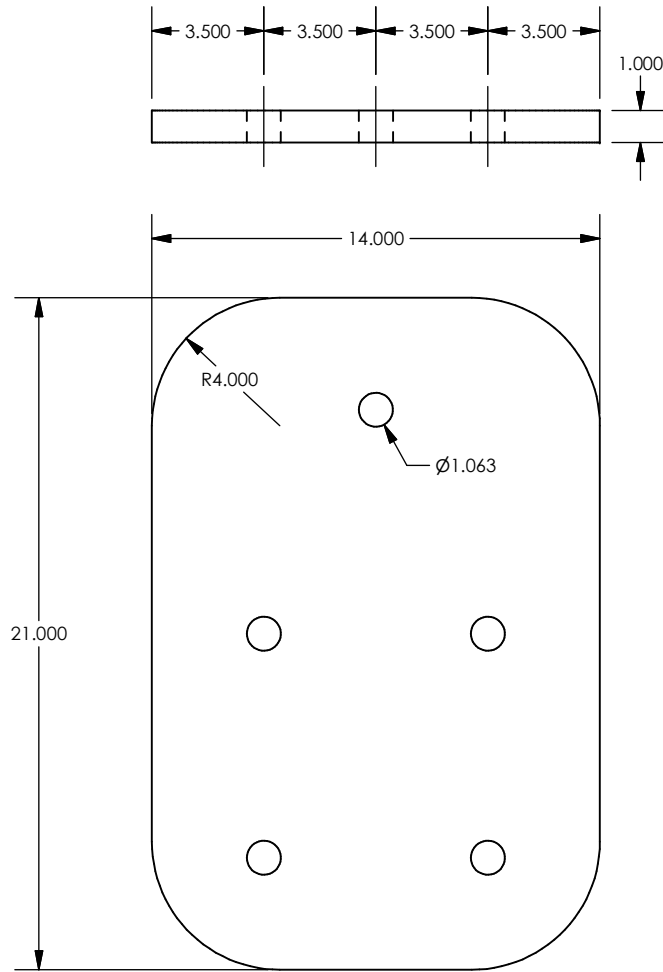
Quad Pod: 3D Truss
Racking & Mounting System

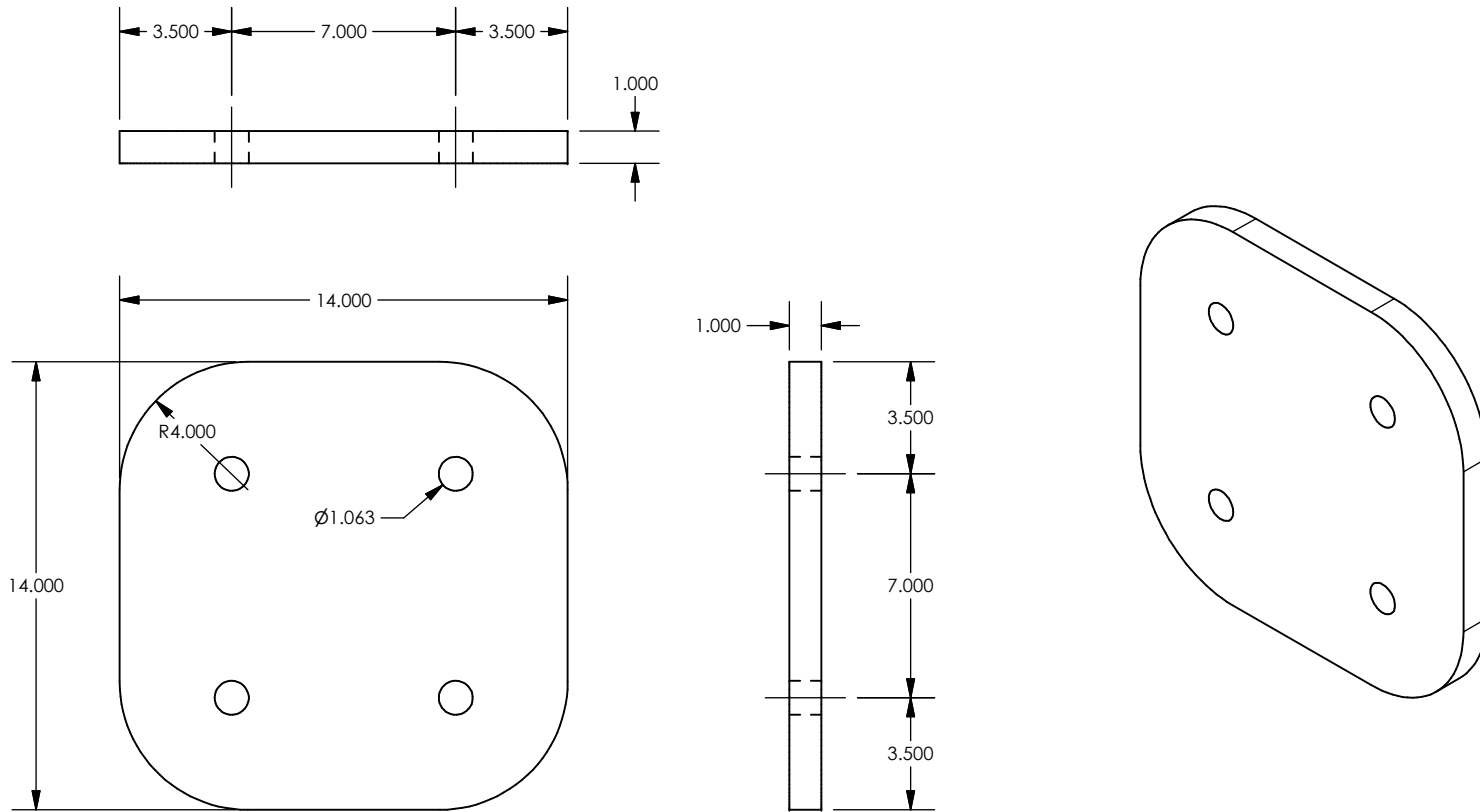
Purlin
MP4_J00702

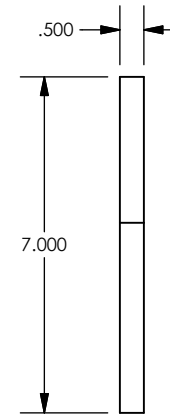
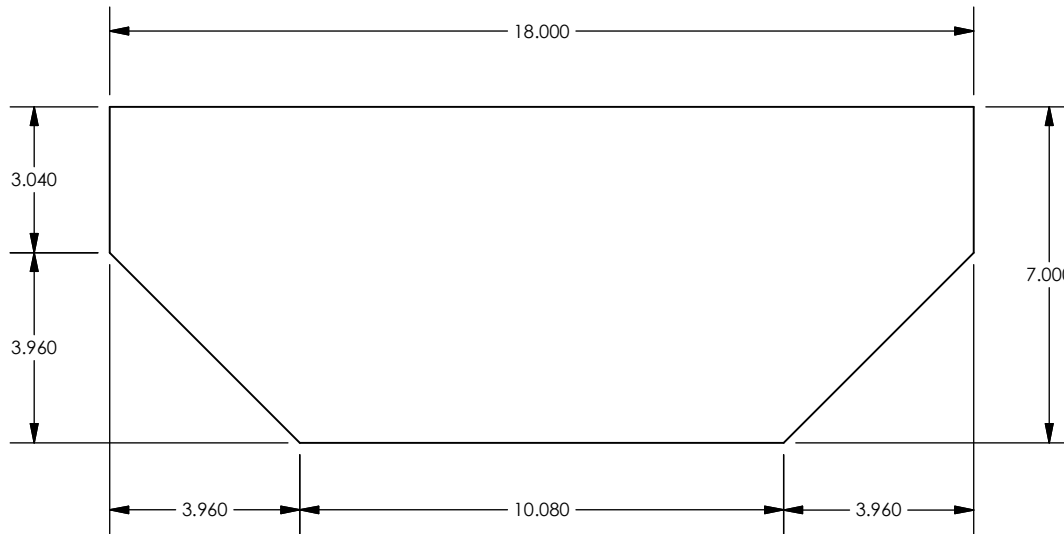
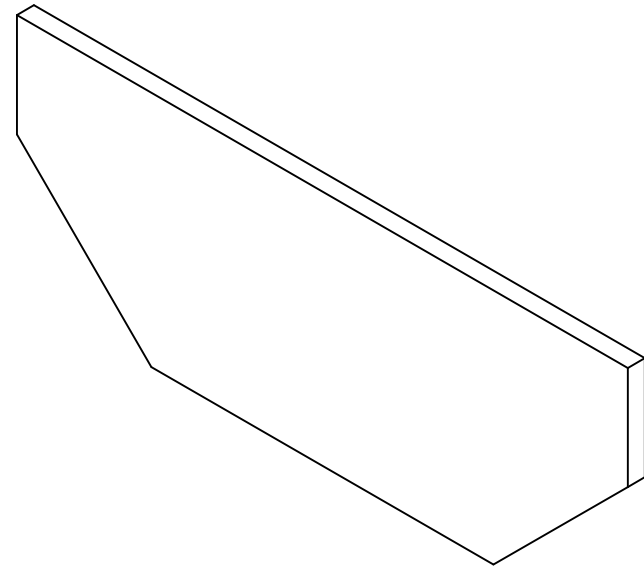
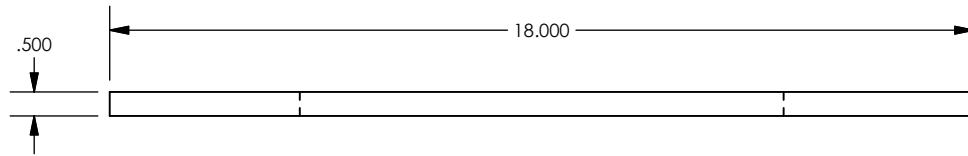
Georgia Tech
Proprietary and Confidential

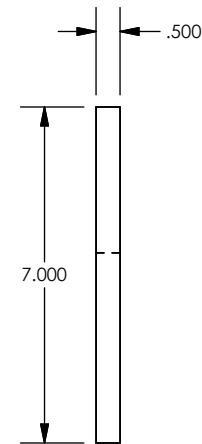
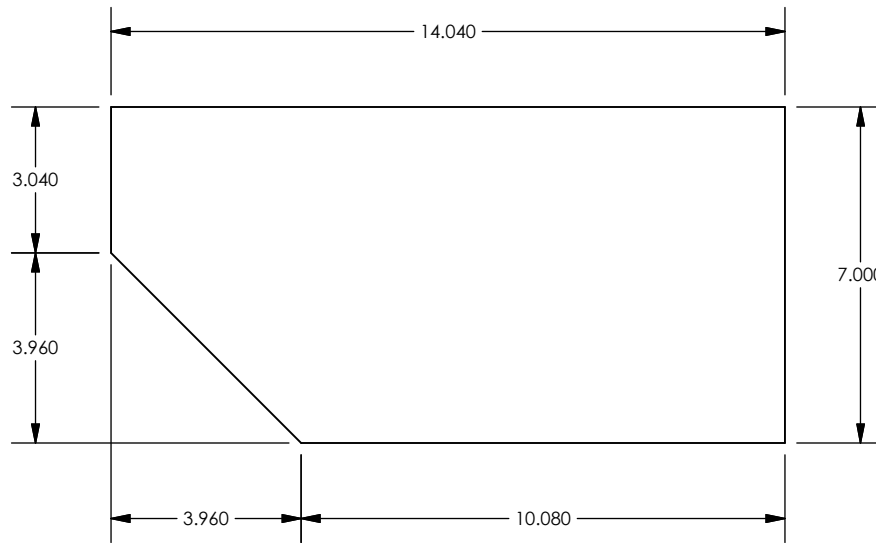
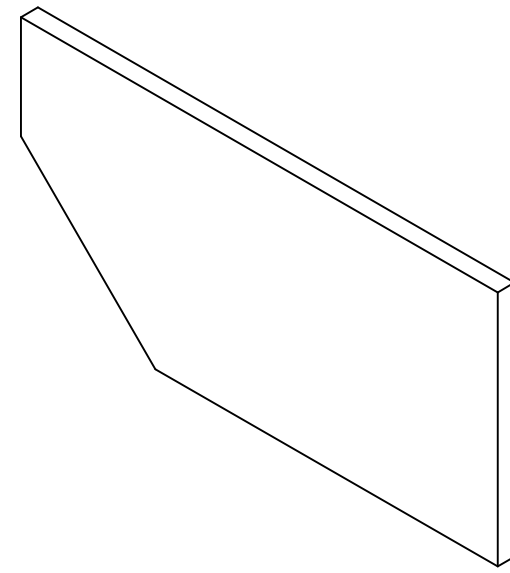
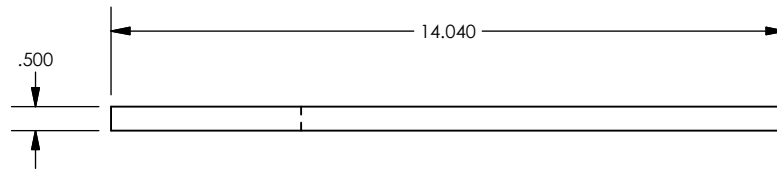
DATE: 10/20/2016
DRAWN BY: jkeane3
CHECKED BY:

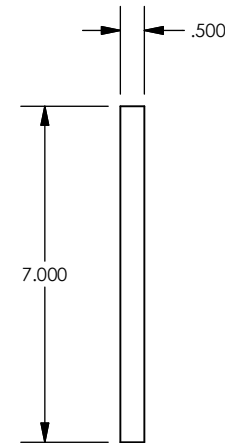
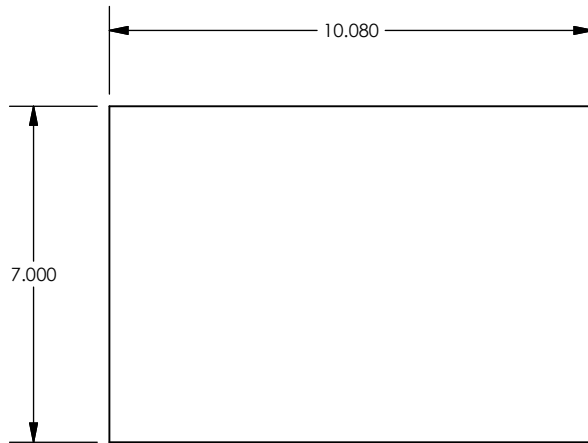
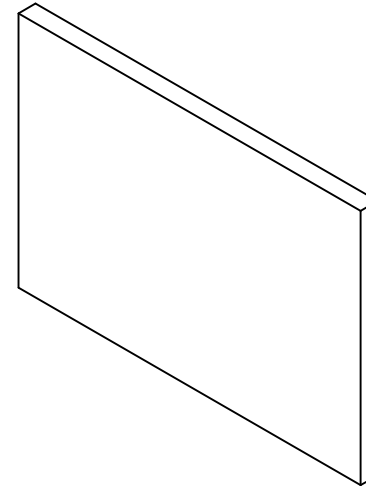
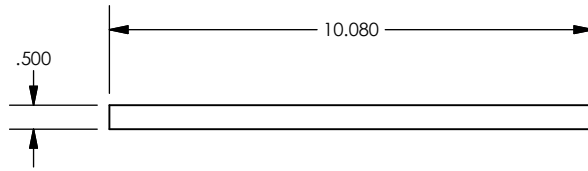


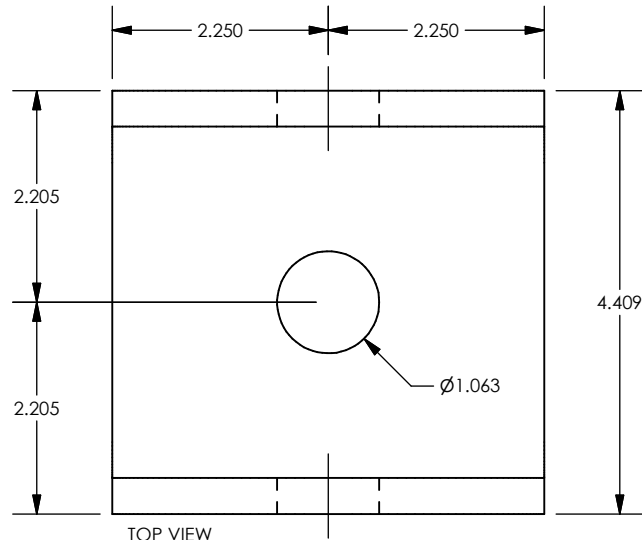




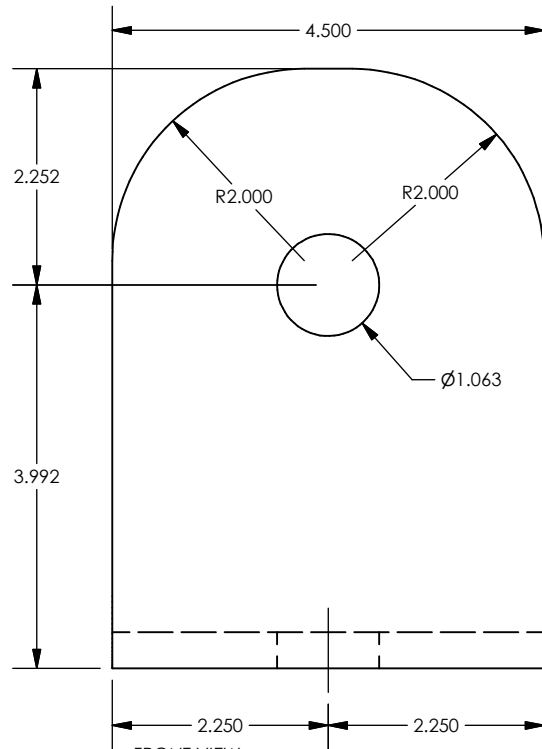




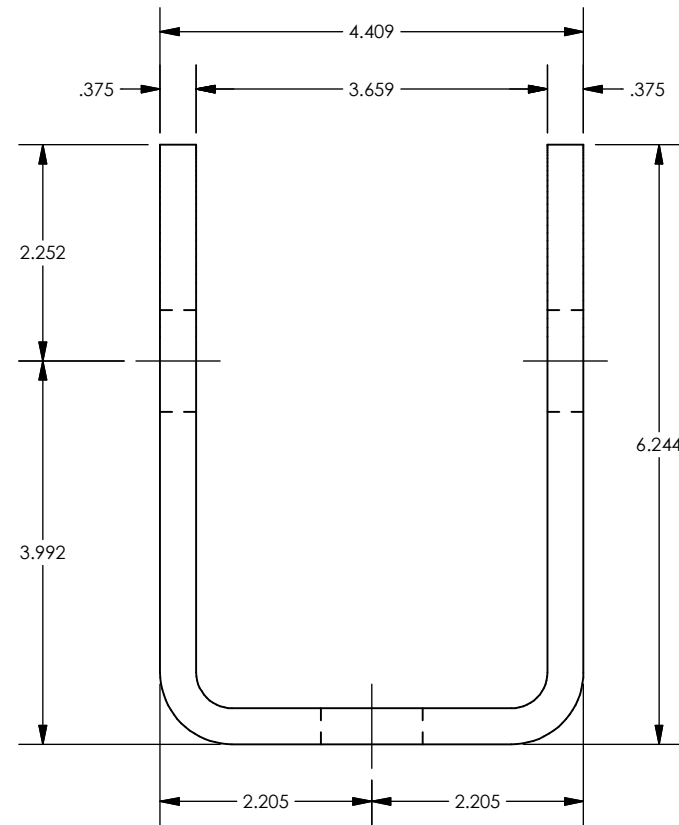
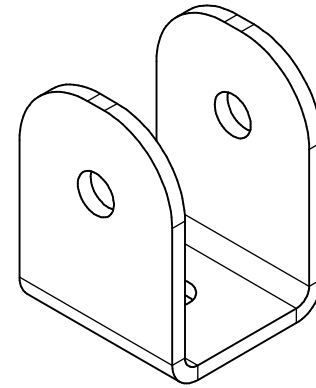




TOP VIEW
SCALE 1 / 2



FRONT VIEW
SCALE 1 / 2



RIGHT VIEW
SCALE 1 / 2

Weight : 6.849 lbmass
Material : Steel, Galvanized



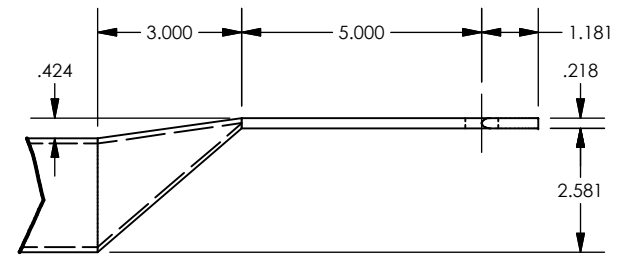
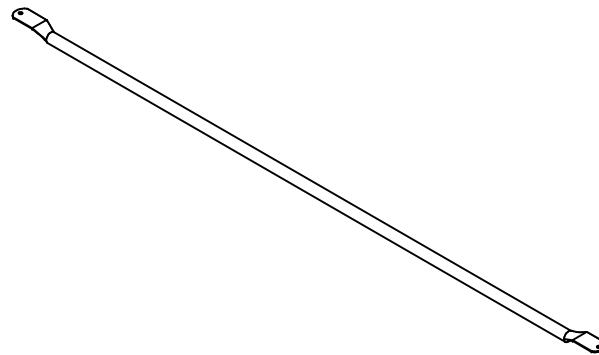
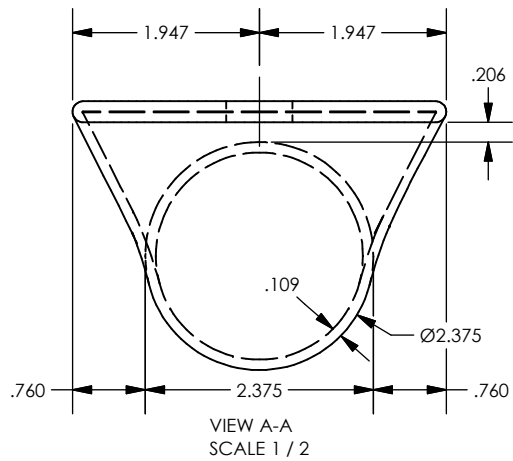
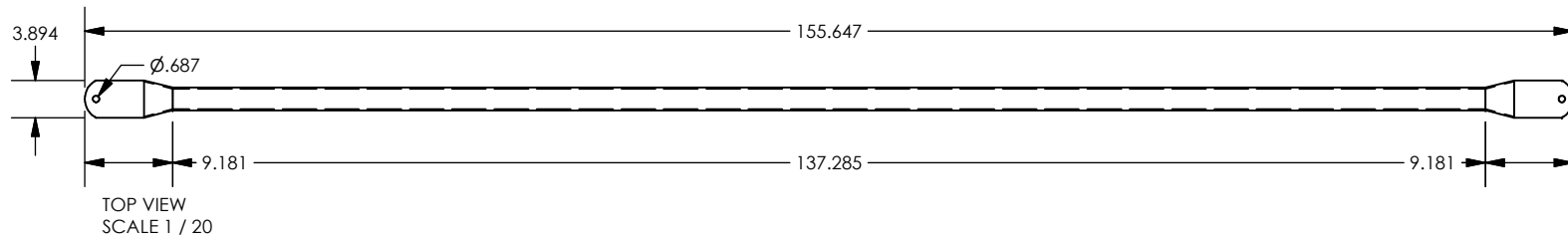
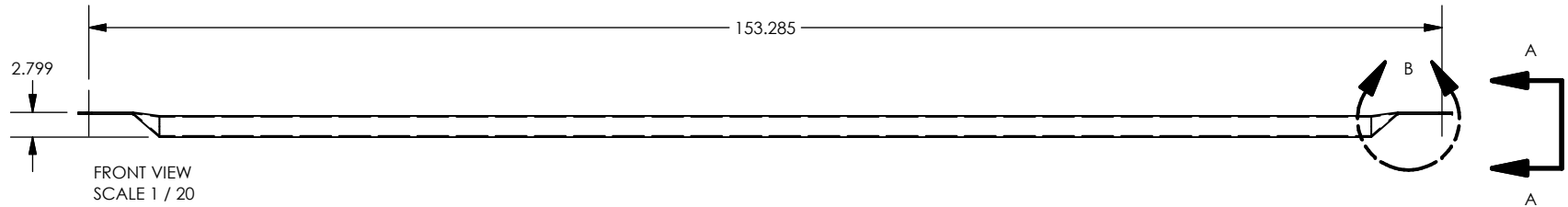
QUEST RENEWABLES
75 5th St. NW, Suite 2150
Atlanta, Georgia 30308

Quad Pod: 3D Truss
Racking & Mounting System

Clevis
CL_0375_3.5

Georgia Tech
Proprietary and Confidential

DATE: 10/20/2016
DRAWN BY: jkeane3
CHECKED BY:



Weight : 34.223 lbmass
Material : Galvanized Steel



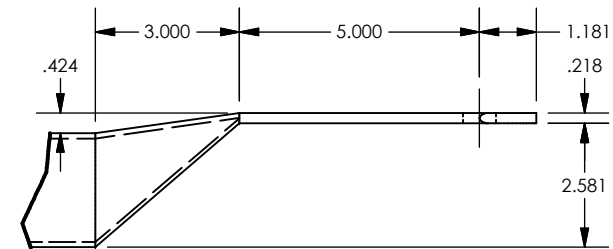
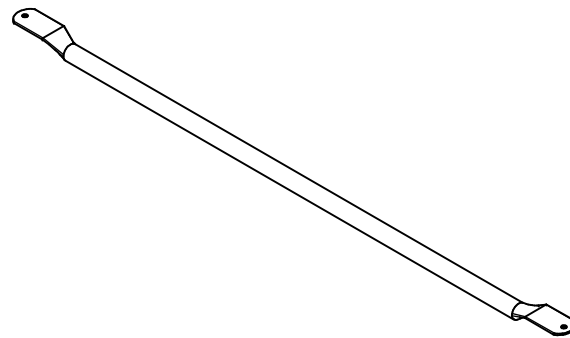
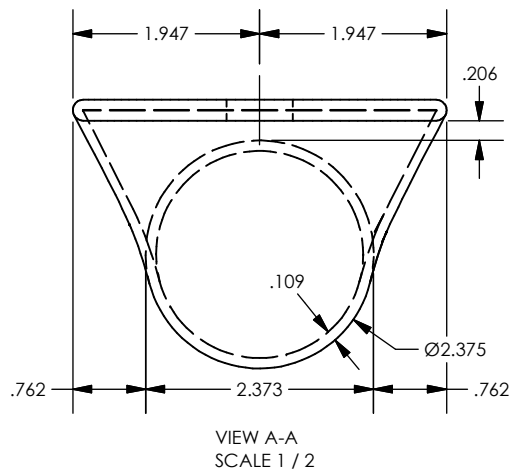
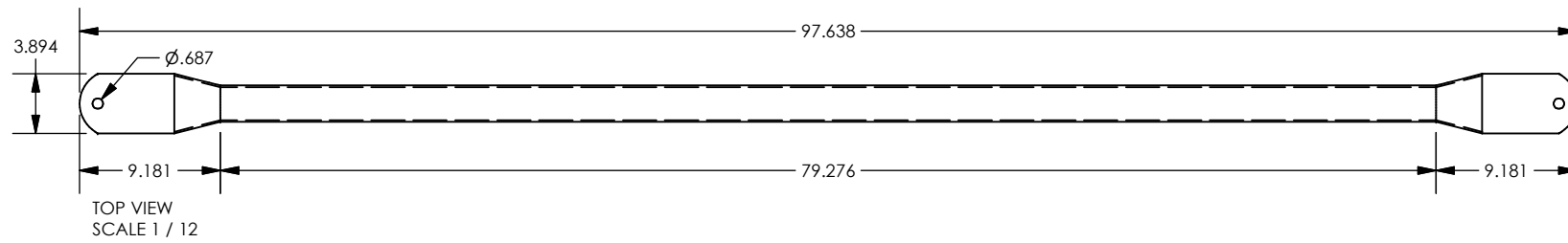
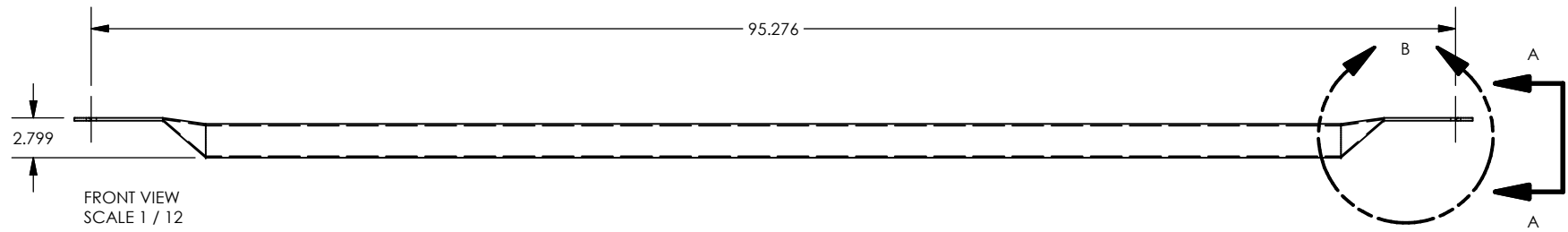
QUEST RENEWABLES
75 5th St. NW, Suite 2150
Atlanta, Georgia 30308

Quad Pod: 3D Truss
Racking & Mounting System

Strut
ST-D01

Georgia Tech
Proprietary and Confidential

DATE: 10/20/2016
DRAWN BY: jkeane3
CHECKED BY:



Weight : 21.458 lbmass
 Material : Galvanized Steel



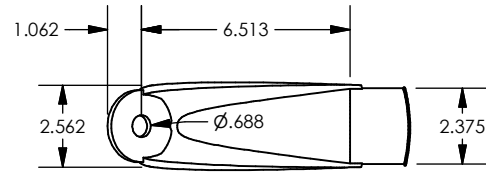
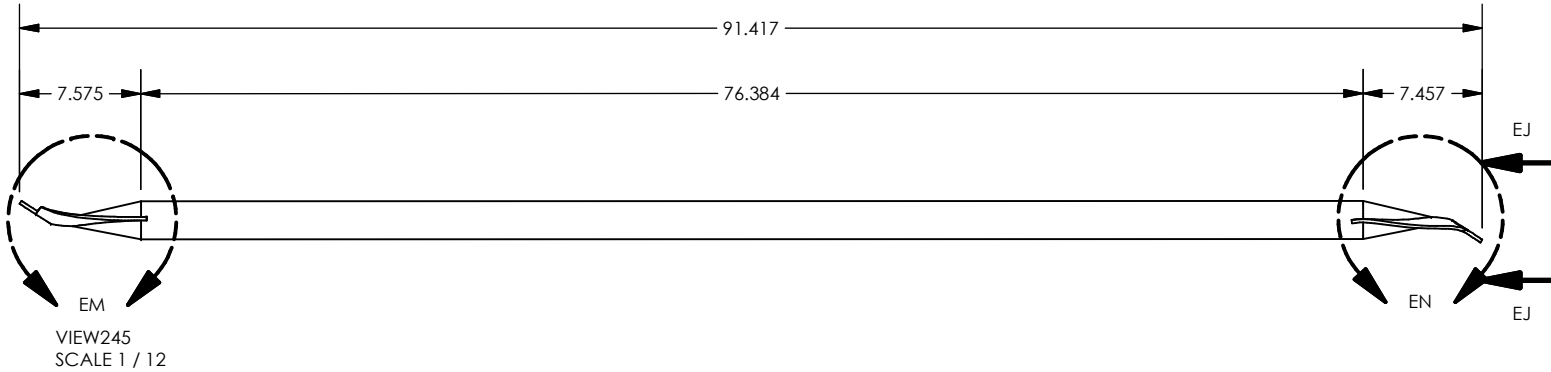
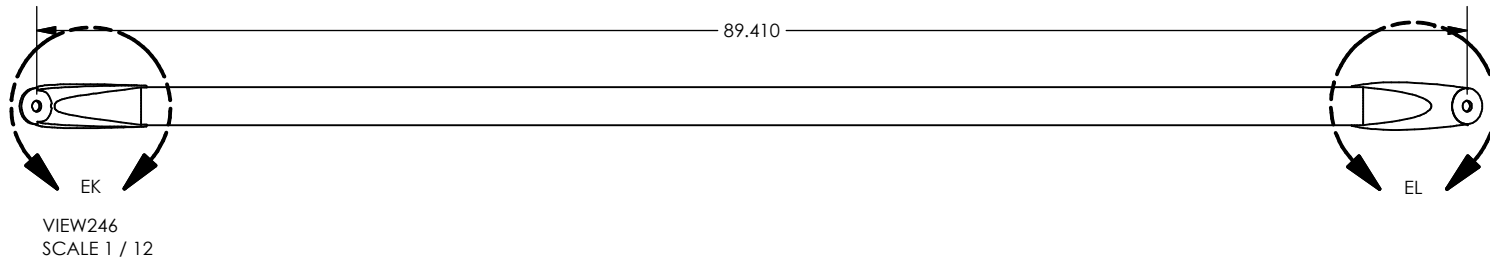
QUEST RENEWABLES
 75 5th St. NW, Suite 2150
 Atlanta, Georgia 30308

Quad Pod: 3D Truss
 Racking & Mounting System

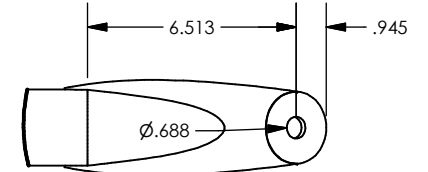
Strut
 ST-T02

Georgia Tech
 Proprietary and Confidential

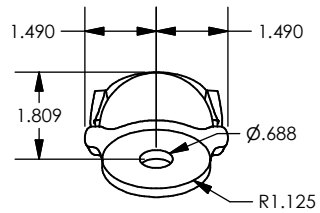
DATE: 10/20/2016
 DRAWN BY: jkeane3
 CHECKED BY:



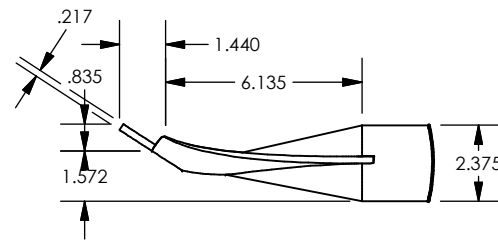
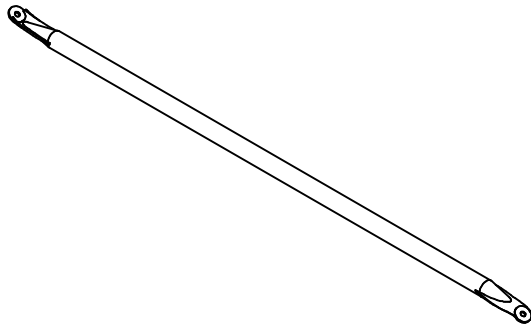
DETAIL EK
SCALE 1 / 6



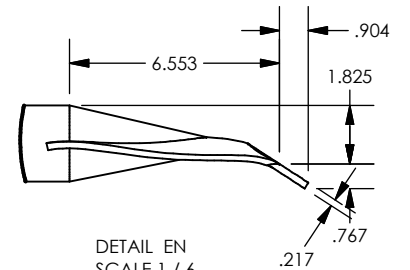
DETAIL EL
SCALE 1 / 6



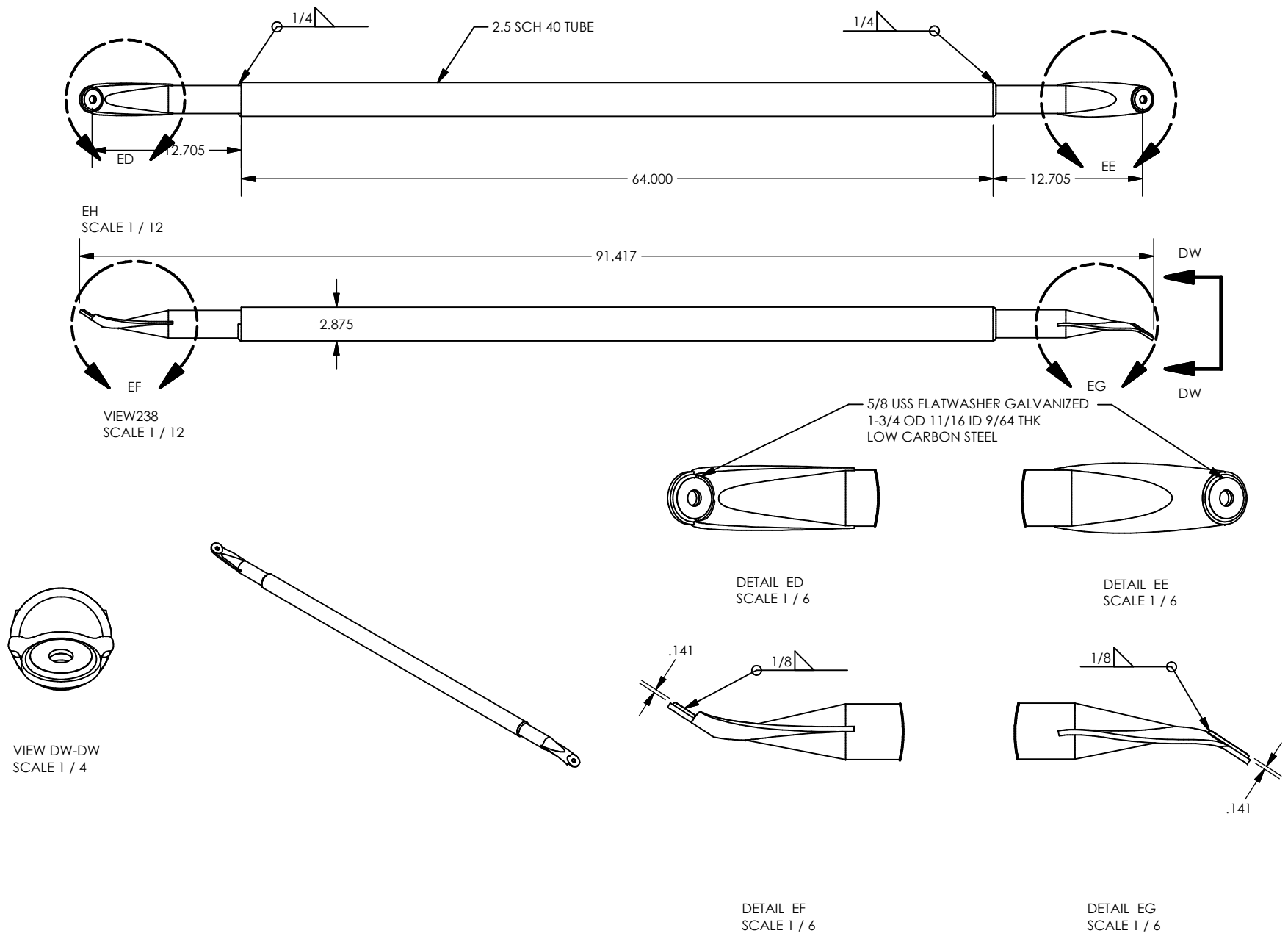
VIEW EJ-EJ
SCALE 1 / 4

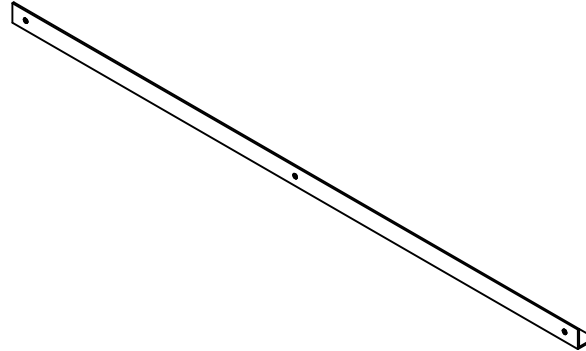
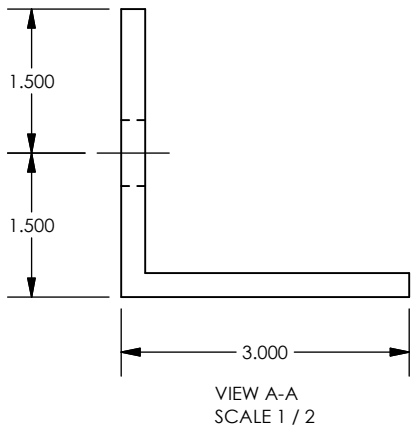
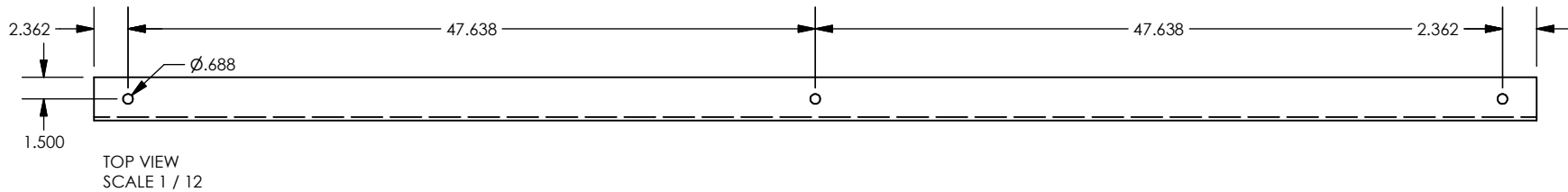
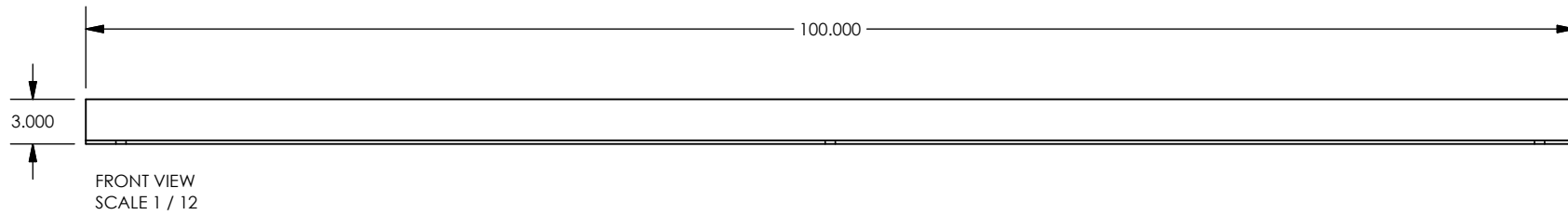


DETAIL EM
SCALE 1 / 6



DETAIL EN
SCALE 1 / 6





Weight : 40.688 lbmass
Material : Steel, Galvanized



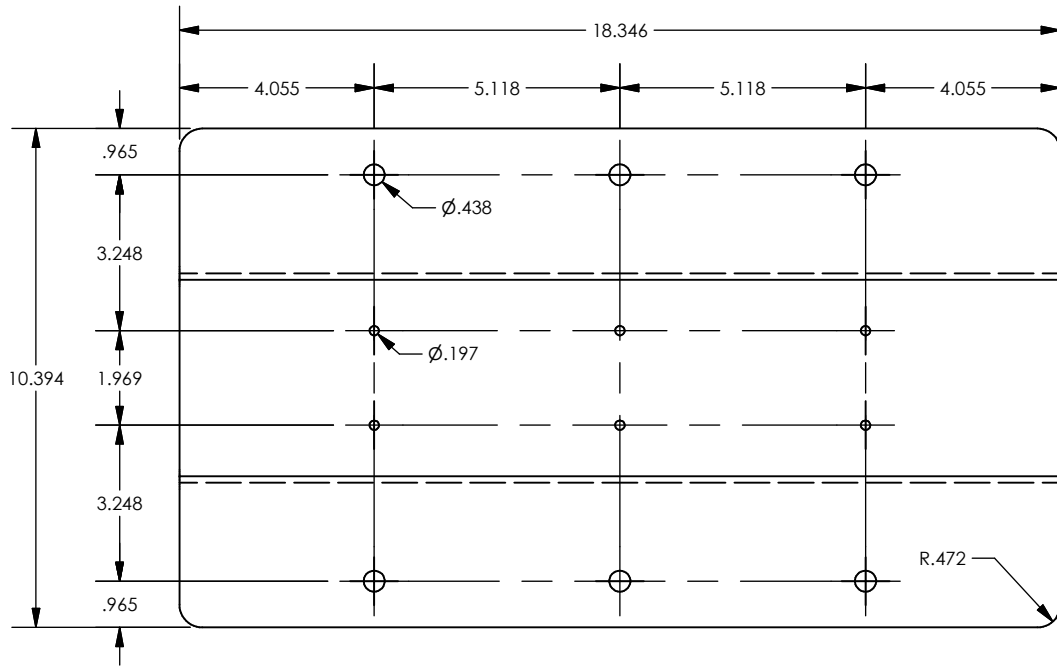
QUEST RENEWABLES
75 5th St. NW, Suite 2150
Atlanta, Georgia 30308

Quad Pod: 3D Truss
Racking & Mounting System

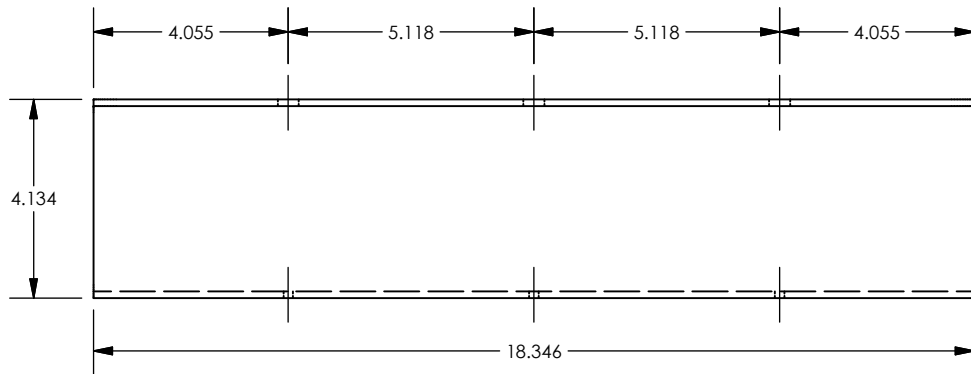
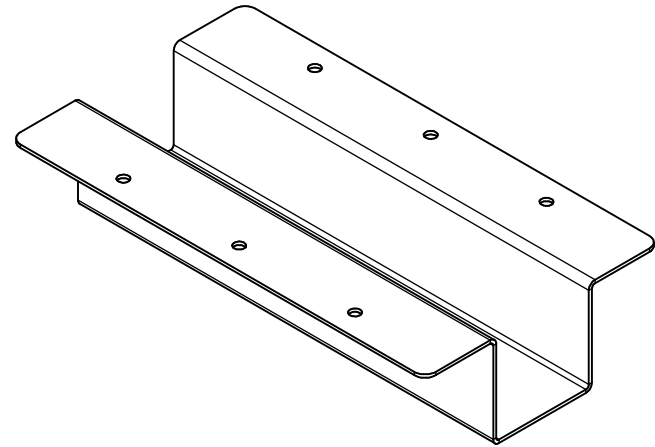
Brace
CB_001

Georgia Tech
Proprietary and Confidential

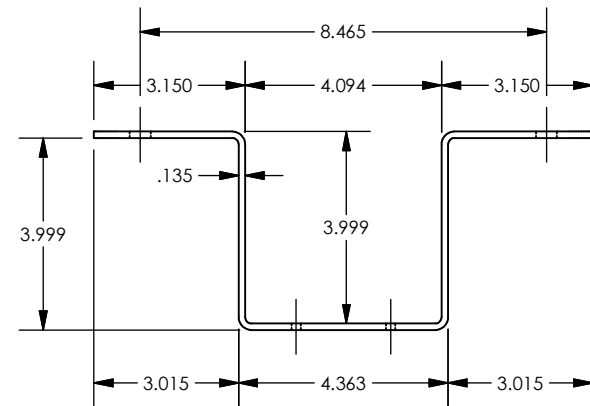
DATE: 10/20/2016
DRAWN BY: jkeane3
CHECKED BY:



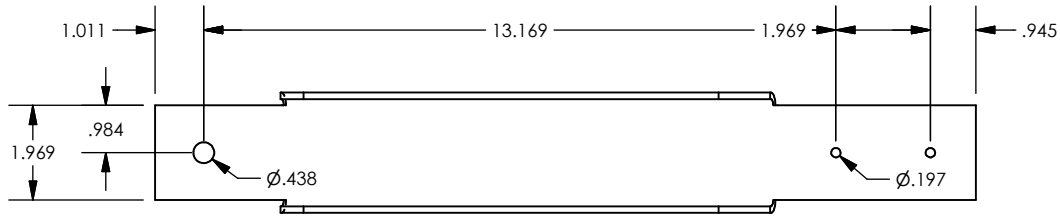
TOP VIEW
SCALE 1 / 4



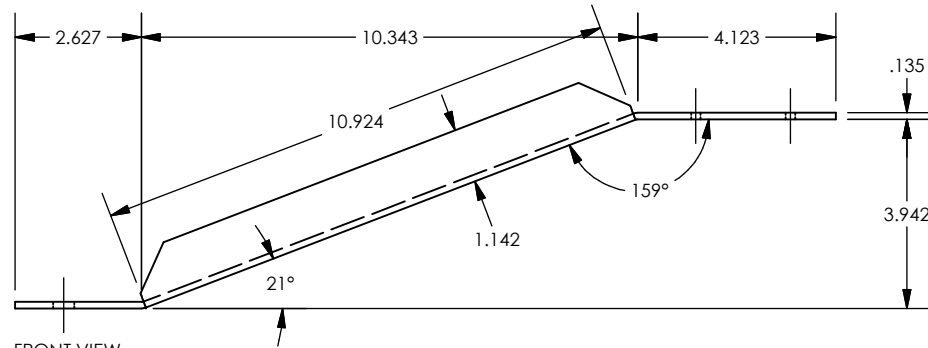
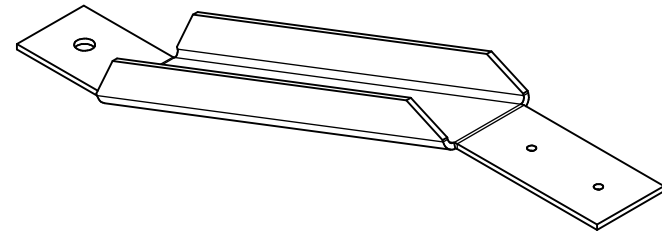
FRONT VIEW
SCALE 1 / 4



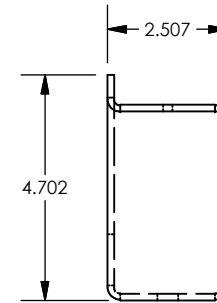
RIGHT VIEW
SCALE 1 / 4



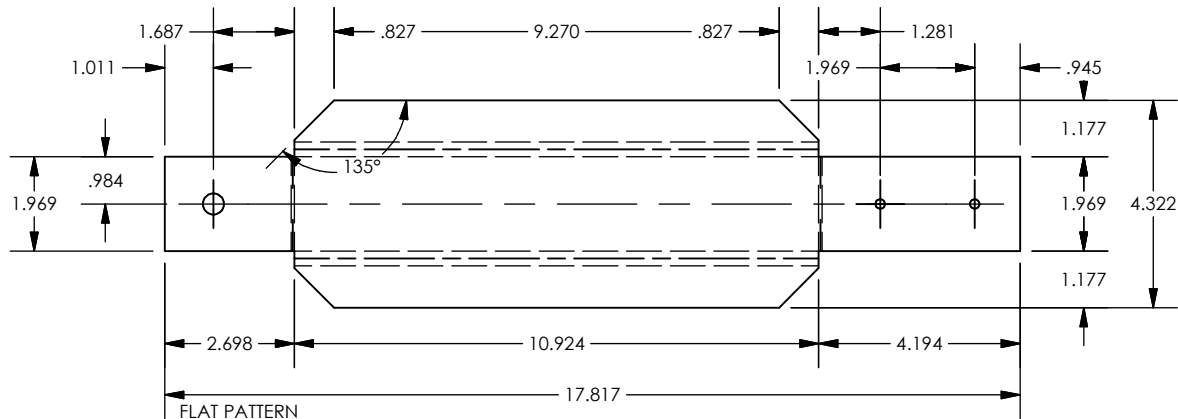
TOP VIEW
SCALE 1 / 4



FRONT VIEW
SCALE 1 / 4



RIGHT VIEW
SCALE 1 / 4



FLAT PATTERN
SCALE 1 / 4

