

May 3, 2017

Mr. Fortunat Mueller, P.E.
ReVision Energy LLC
142 Presumpscot Street
Portland, ME 04103

**Fore Street Garage - Structural Review for Support of Solar Panel Array
Portland, Maine**

Dear Fortunat,

This letter is to serve as a follow-up to our initial letter dated February 3, 2017. In that letter, we conveyed the results of our initial structural review of the Fore Street Garage's ability to support a proposed structural array. That letter noted that we found the existing overall structure capable of supporting and that localized conditions at the points of the array connections were currently under review and that findings would be issued under a separate cover.

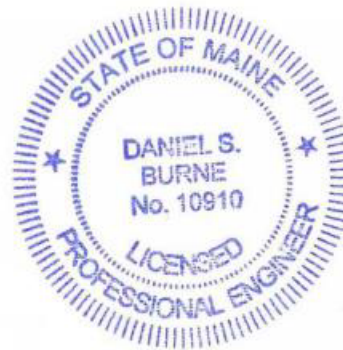
We have since concluded our review and recommended that column web stiffeners be added at the top portions of columns receiving an array connection and that any existing column web notches be repaired. Our recommendations were detailed and are attached to this letter as SK-1 and SK-2.

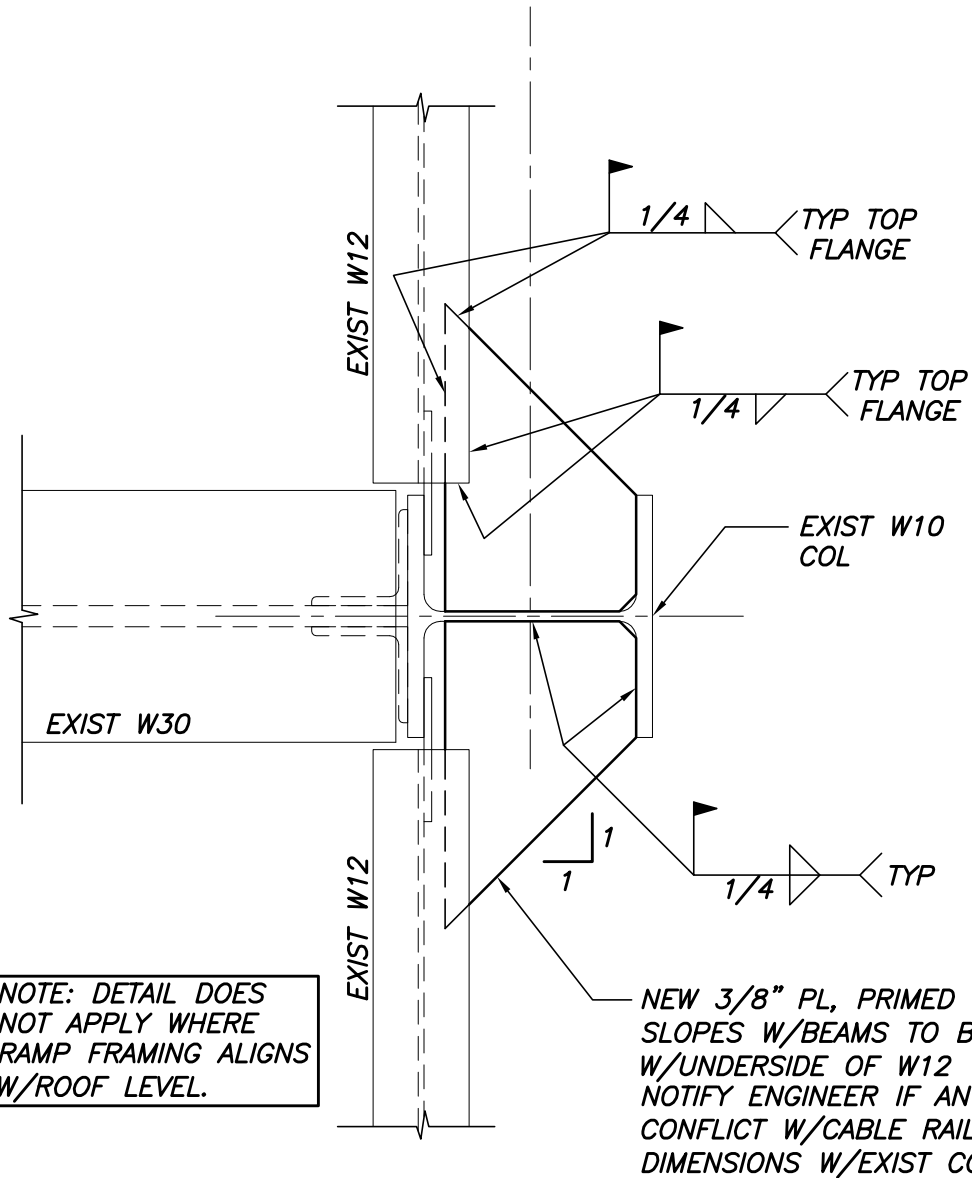
We trust this addresses your needs at this time but please do not hesitate to contact us with questions or comments.

Sincerely,
BECKER STRUCTURAL ENGINEERS, INC.



Daniel S. Burne, P.E.
Associate





NEW 3/8" PL, PRIMED & PAINTED. PL SLOPES W/BEAMS TO BE FLUSH W/UNDERSIDE OF W12 TOP FLANGE. NOTIFY ENGINEER IF ANY PLATES CONFLICT W/CABLE RAILS. (VERIFY DIMENSIONS W/EXIST CONDITIONS) TYP.

TYP EXIST COLUMN TO EXIST
BEAM STIFFENERS AT ROOF LEVEL
 N.T.S.



BECKER
 STRUCTURAL ENGINEERS

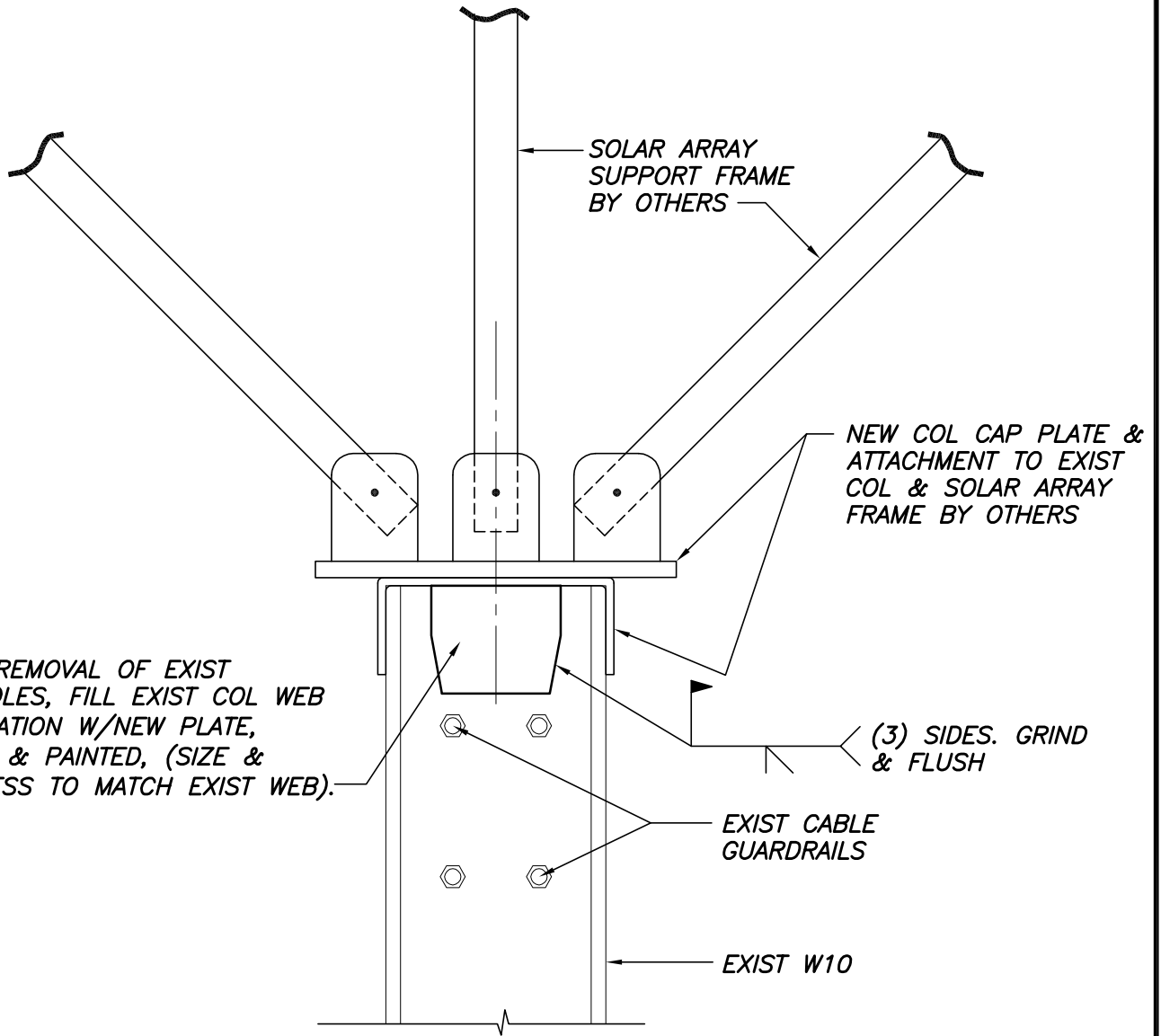
75 York Street, Portland, Maine 04101
 207.879.1838 • beckerstructural.com

Designed	ARW
Drawn	APP
Checked	DSB
Scale	NOTED
Date	02/22/17

SOLAR ARRAY REVIEW
 FORE ST GARAGE
 PORTLAND, ME.

Becker Job Number
 4008

SK-1



EXIST TOP OF
COLUMN WEB REPAIR
 N.T.S.



BECKER
 STRUCTURAL ENGINEERS

75 York Street, Portland, Maine 04101
 207.879.1838 • beckerstructural.com

Designed	ARW
Drawn	APP
Checked	DSB
Scale	NOTED
Date	02/22/17

SOLAR ARRAY REVIEW
 FORE ST GARAGE
 PORTLAND, ME.

Becker Job Number
 4008

SK-2