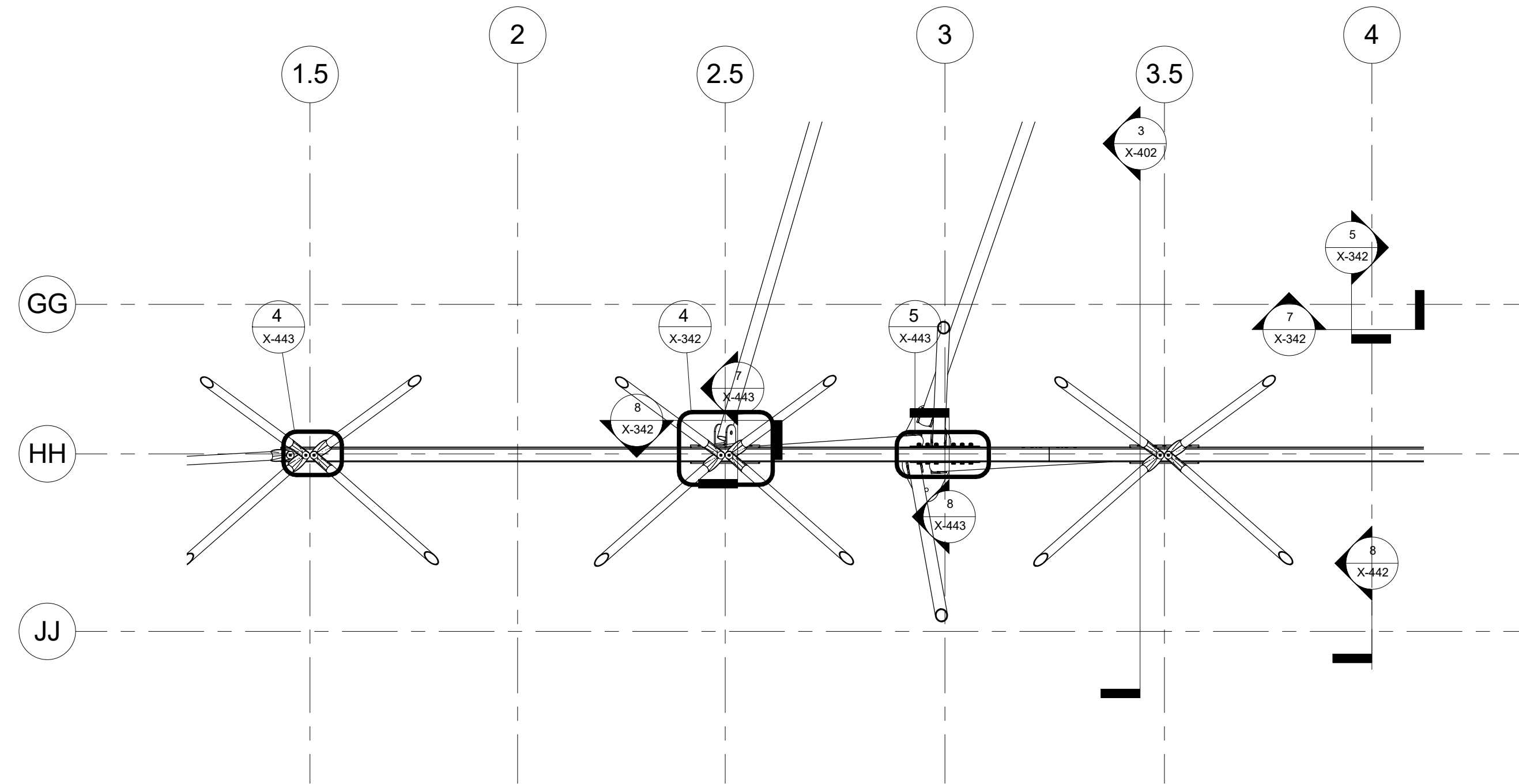
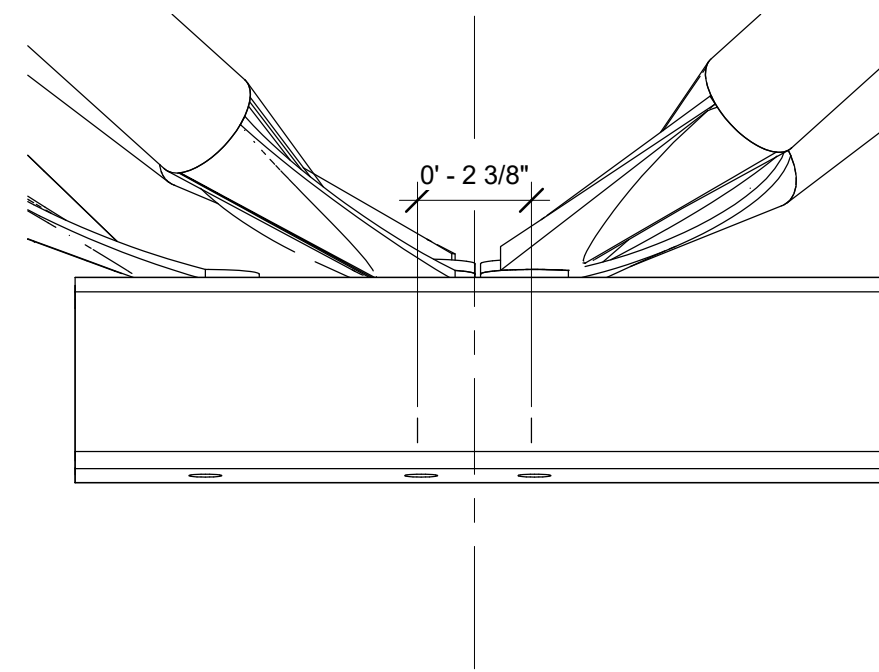


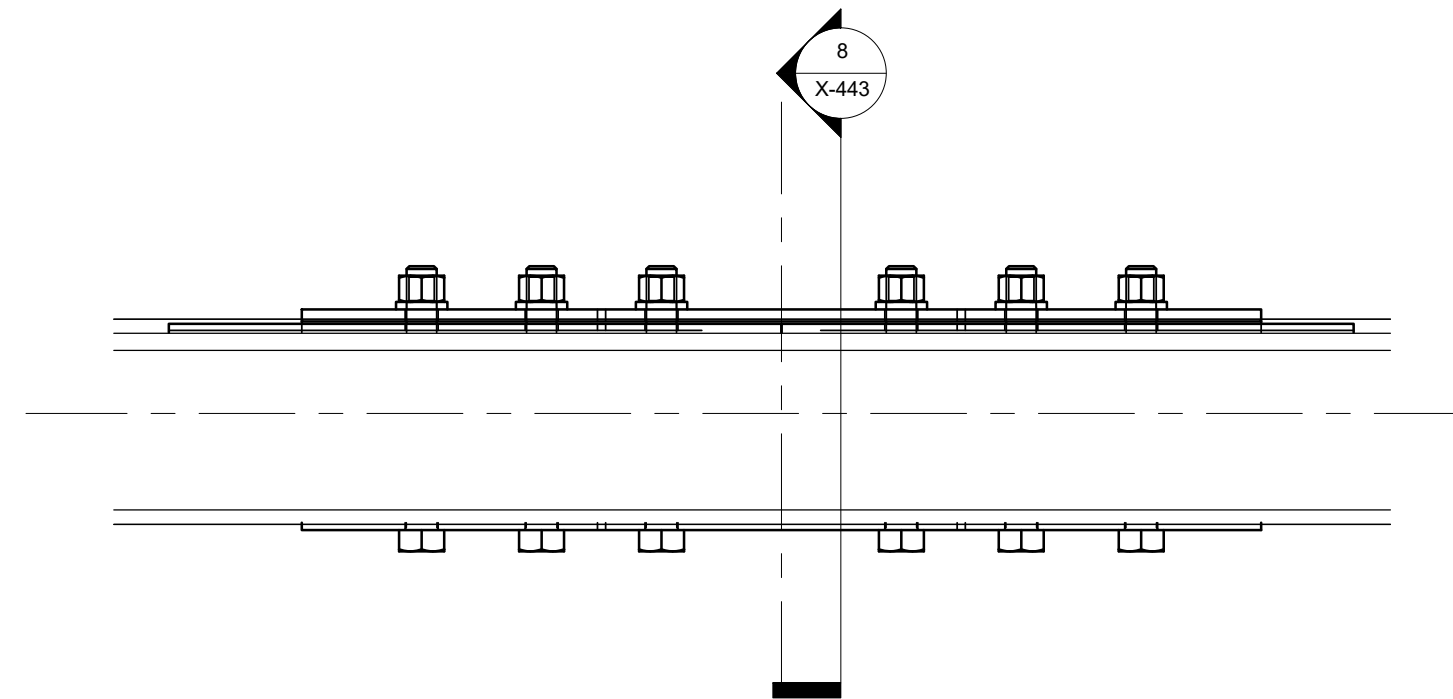
1 DETAIL AXON - LC TO COBRA



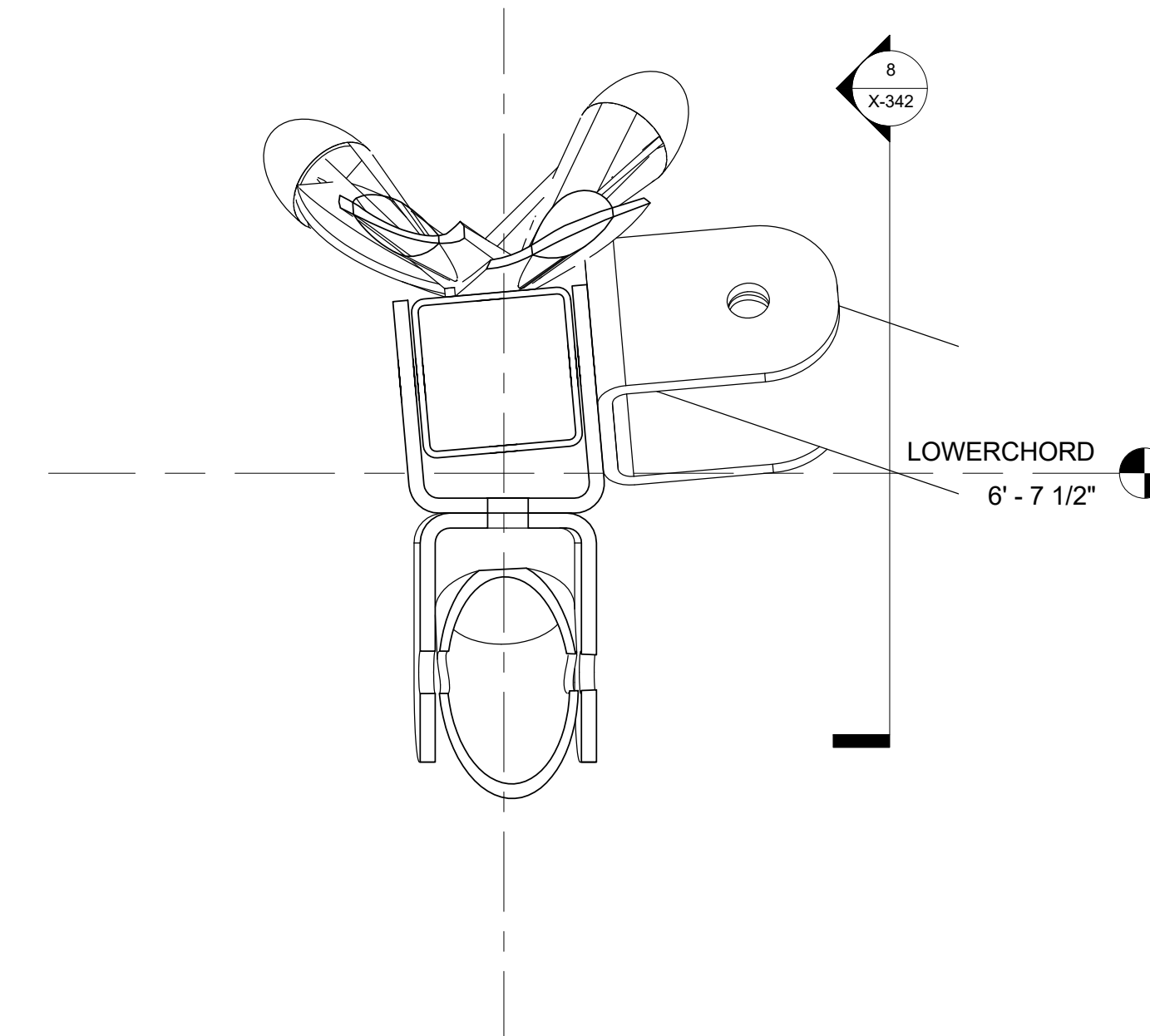
2 LOWERCHORD
3/8" = 1'-0"



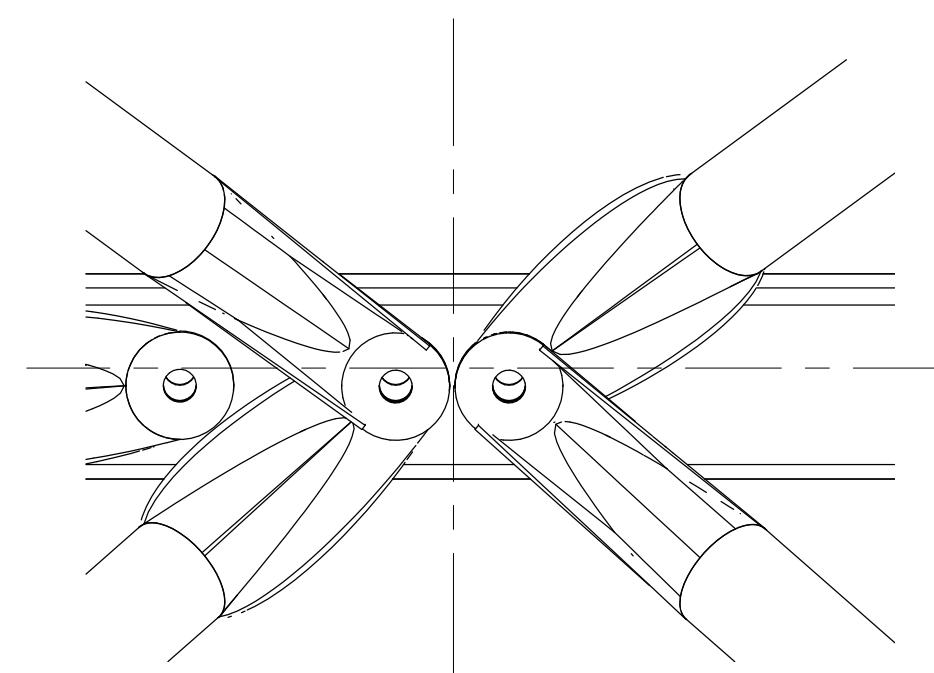
3 ENLARGED ELEVATION DETAIL - LOWERCHORD TO WEBSTRUTS
3" = 1'-0"



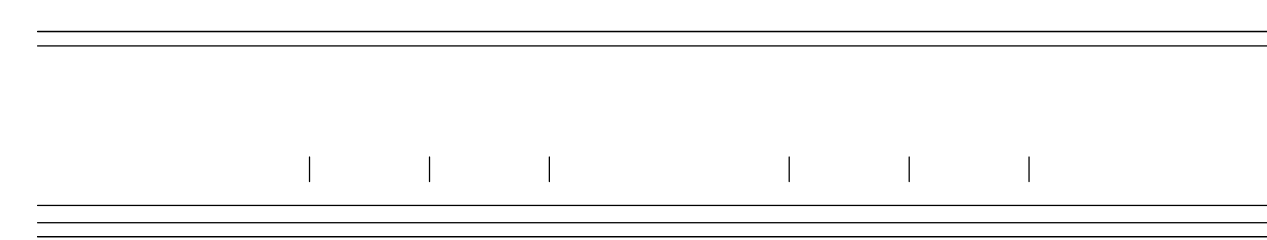
5 ENLARGED PLAN - LOWERCHORD SPLICE
3" = 1'-0"



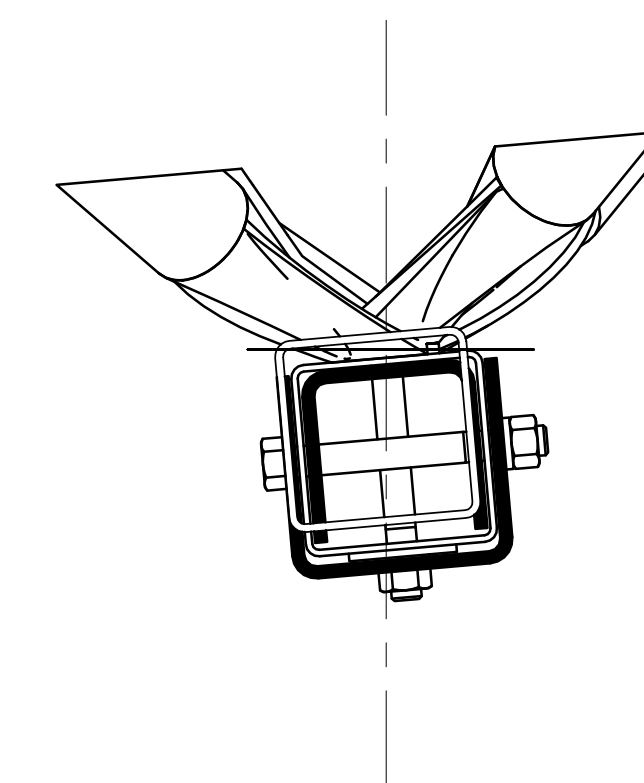
7 ENLARGED SECTION - LOWERCHORD WEDGE SPLICE CONNECTION
3" = 1'-0"



4 ENLARGED PLAN - LOWERCHORD TO WEBSTRUT CONNECTION
3" = 1'-0"



6 ENLARGED ELEVATION DETAIL - LOWERCHORD SPLICE
3" = 1'-0"



8 DETAIL SECTION - LC SPLICE
3" = 1'-0"

QUEST RENEWABLES
75 5th ST. NW, SUITE 2150
ATLANTA, GA 30308

www.questrenewables.com
(404) 536-5787

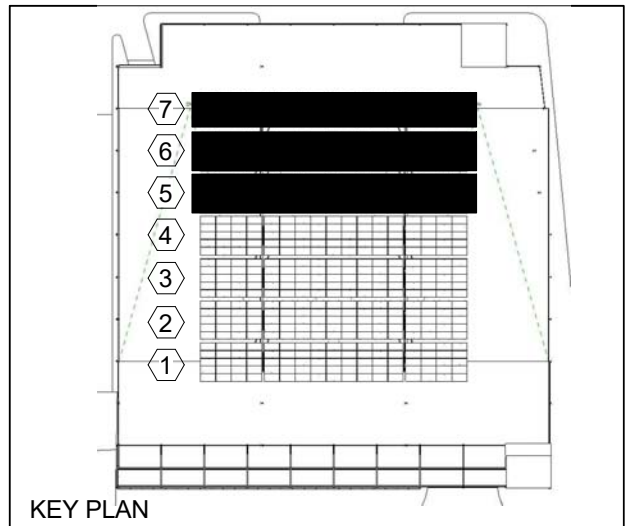
STRUCTURAL CONSULTANT:
AO STRUCTURES
P.O. BOX 413
CARNELIAN BAY, CA,
96140
916.514.8586
www.AOstructures.com

CLIENT:
Revision Energy
142 PRESUMPCOT ST.
PORTLAND, ME 04103
(207)221-6342
joshd@ReVisonEnergy.com

FORE STREET PARKING GARAGE
PARKING DECK CANOPY
425 FORE ST,
PORTLAND, ME 04101

QUADPOD CANOPY SYSTEM
193.6 kW DC
578 PV MODULES
5.00° DEGREE TILT
150.00° DEGREE AZIMUTH

#	DESCRIPTION	DATE
1	ISSUED FOR PERMIT	04/05/2017



KEY PLAN



SEALS

CONFIG 02 - TRUSS LEVEL LC CONNECTION DETAILS

PROJECT NUMBER J007
DATE 03/31/2017
DRAWN BY JD CHECKED BY JEK

X-443