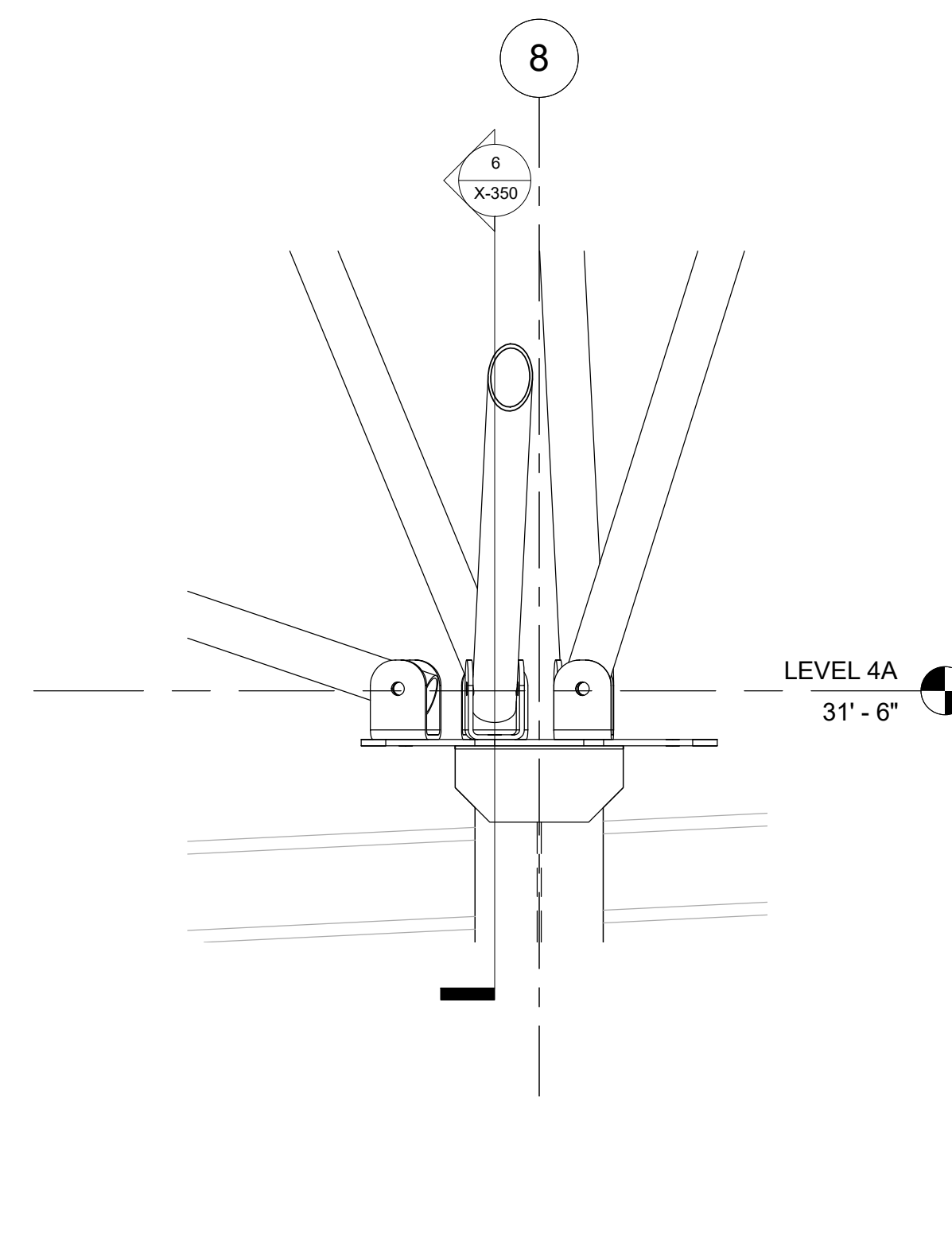
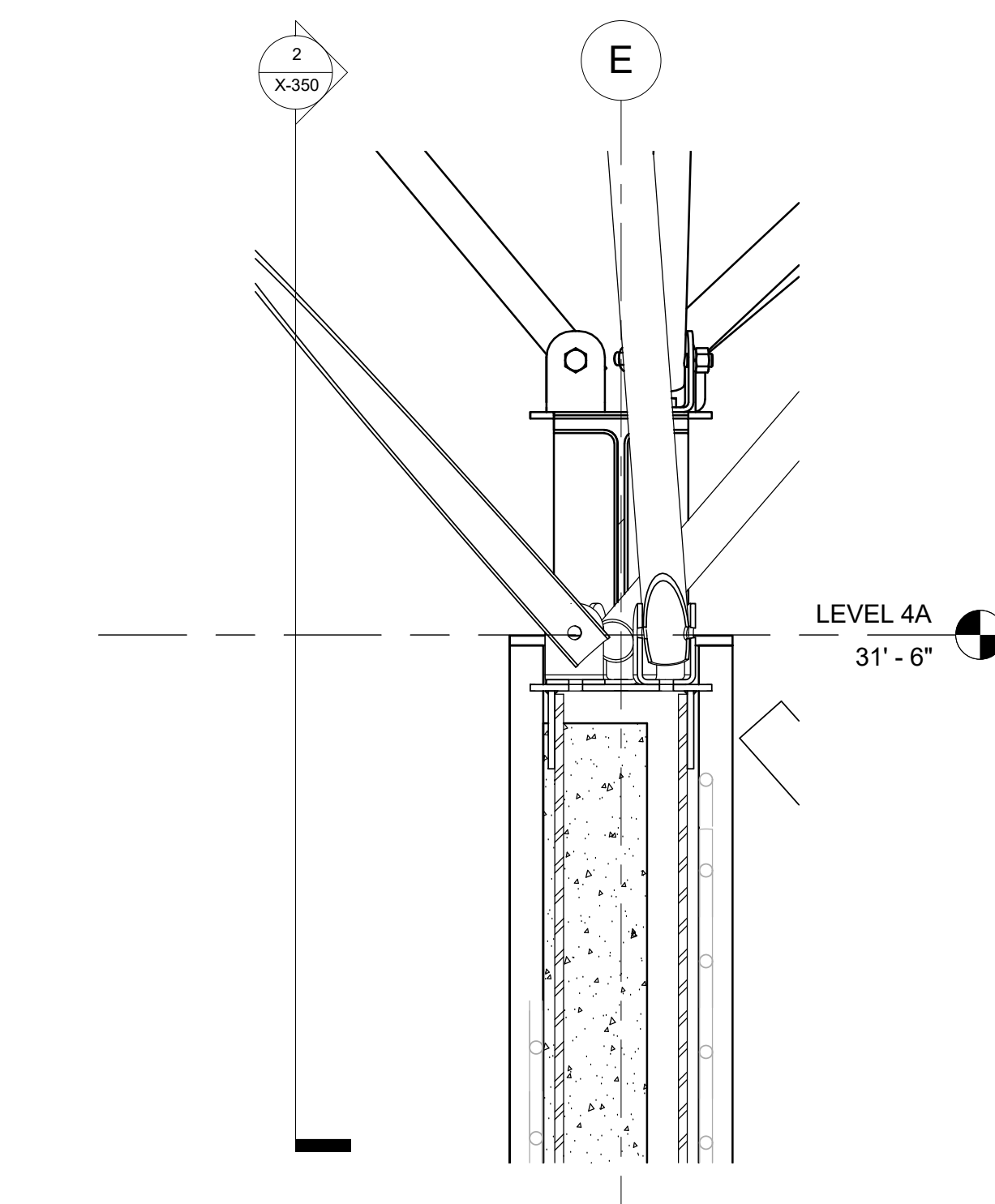
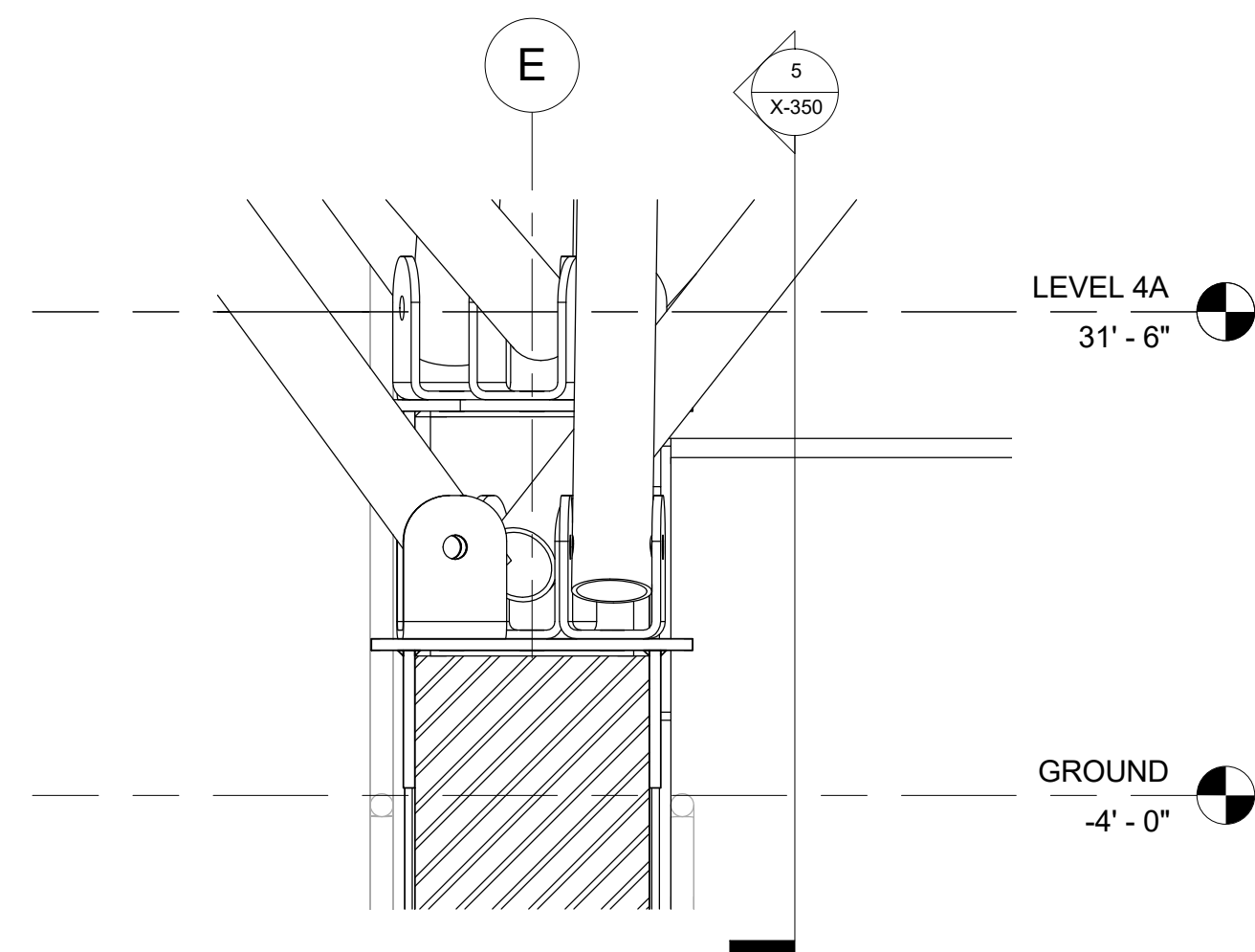
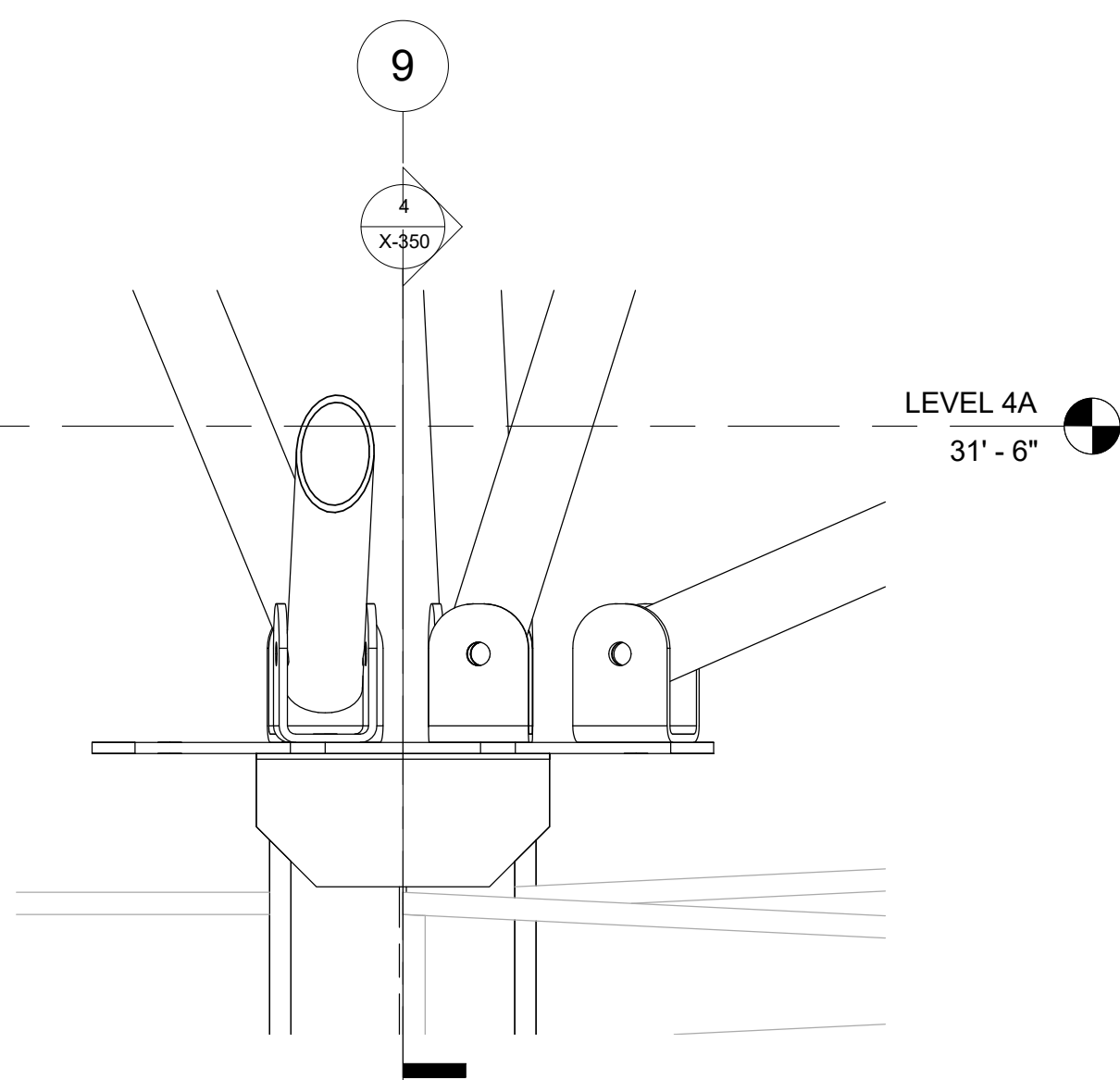
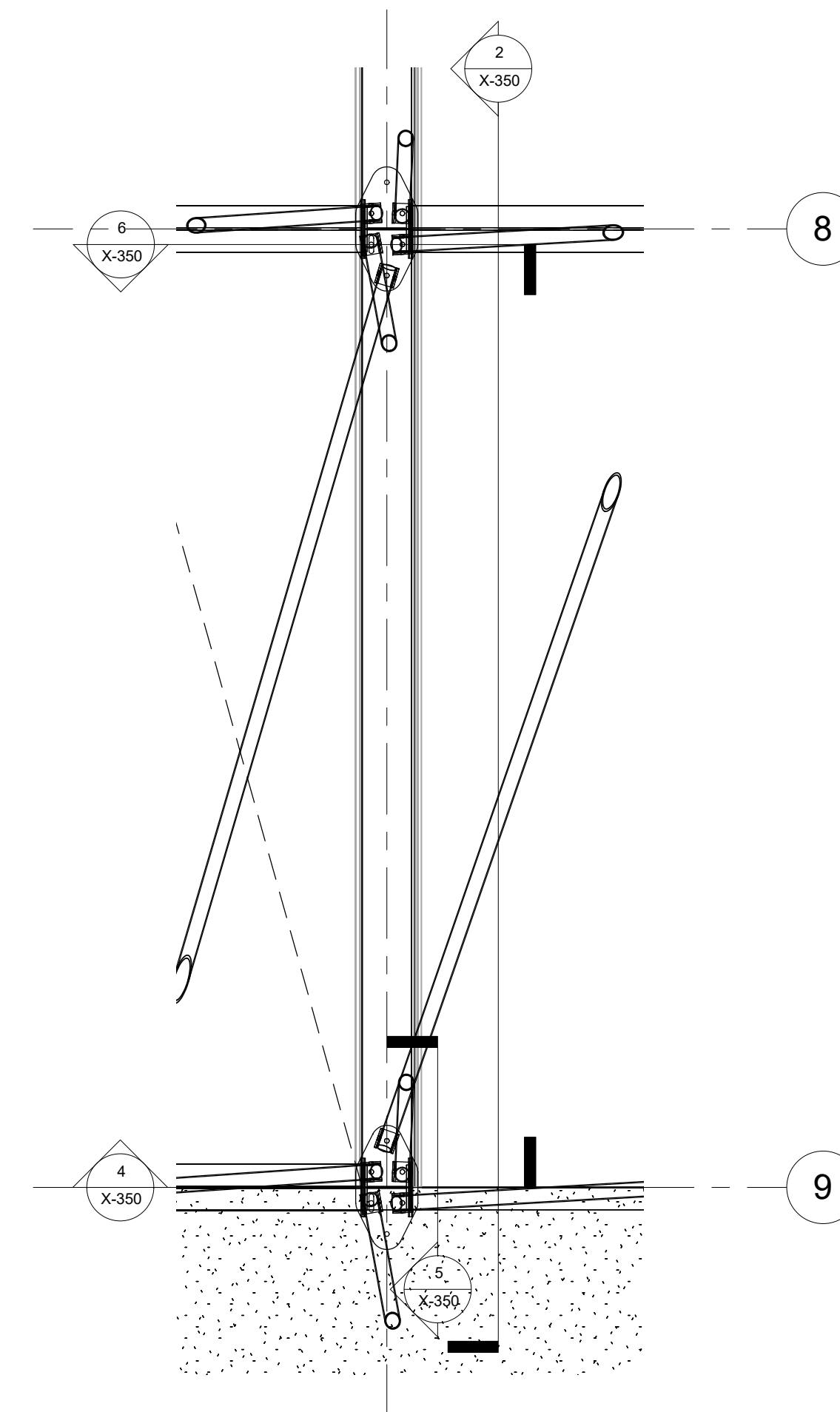
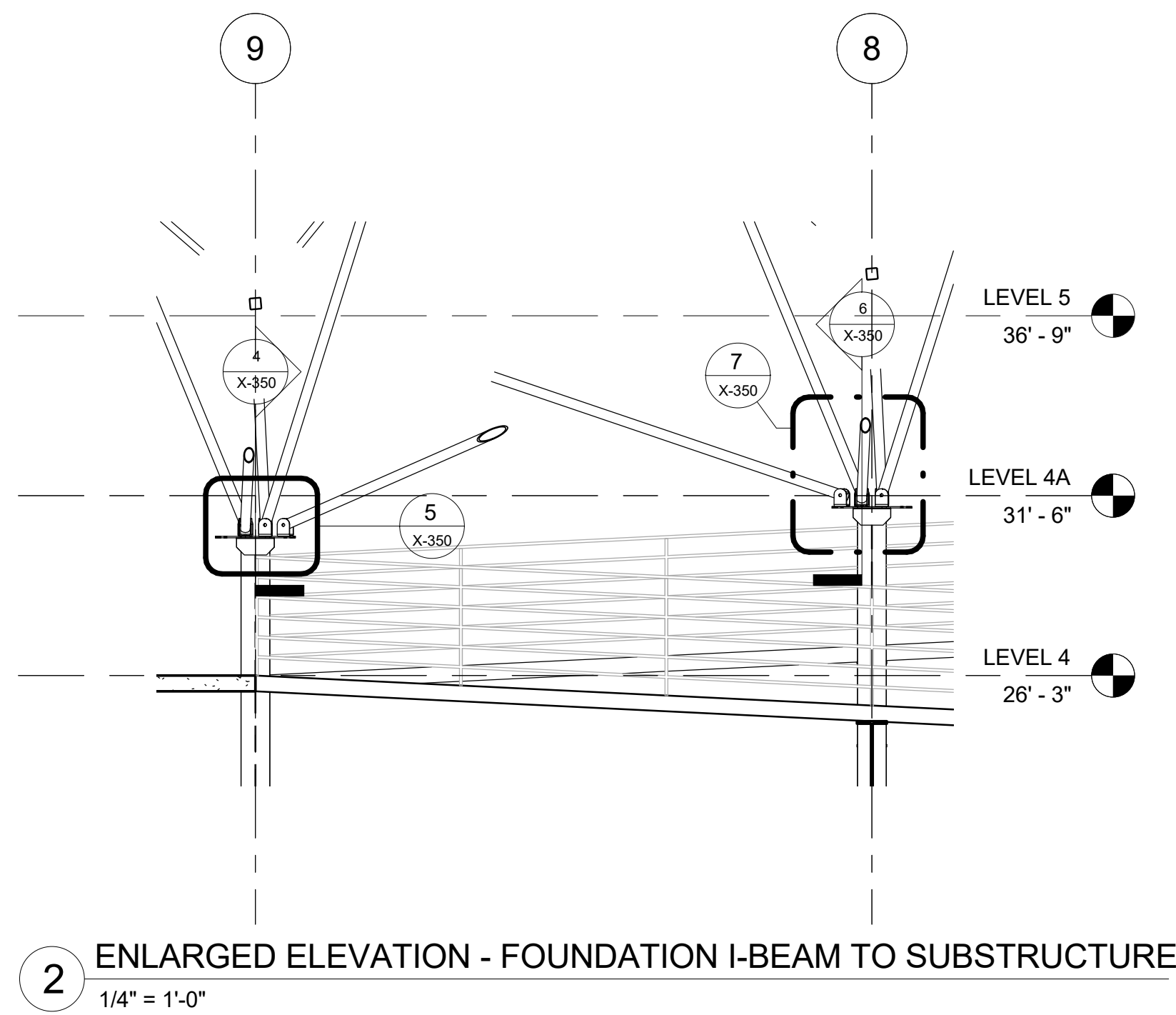


1 DETAIL AXON - SUBSTRUCTURE TO DECK



QUEST RENEWABLES
75 5th ST. NW, SUITE 2150
ATLANTA, GA 30308

www.questrenewables.com
(404) 536-5787

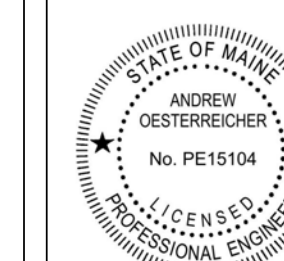
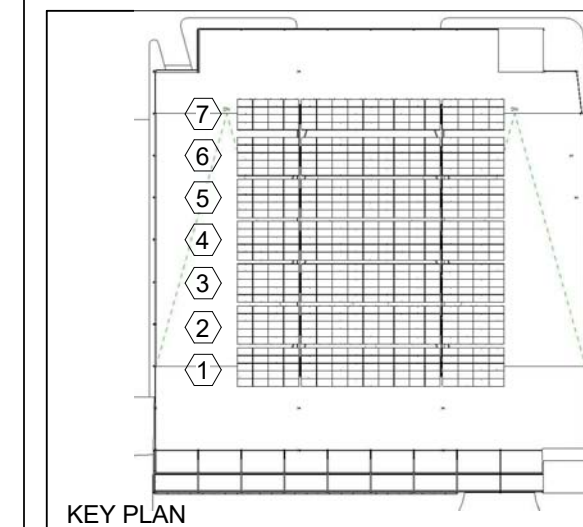
STRUCTURAL CONSULTANT:
AO STRUCTURES
P.O. BOX 413
CARNELIAN BAY, CA,
96140
916.514.8586
www.AOstructures.com

CLIENT:
REVISION ENERGY
142 PRESUMPCOT ST.
PORTLAND, ME 04103
(207)221-6342
joshd@ReVisonEnergy.com

FORE STREET PARKING GARAGE
PARKING DECK CANOPY
425 FORE ST,
PORTLAND, ME 04101

QUADPOD CANOPY SYSTEM
193.6 KW DC
578 PV MODULES
5.00° DEGREE TILT
150.00° DEGREE AZIMUTH

#	DESCRIPTION	DATE
1	ISSUED FOR PERMIT	04/03/2017



SEALS

SUBSTRUCTURE TO DECK CONNECTIONS

PROJECT NUMBER J007
DATE 03/31/2017
DRAWN BY JD CHECKED BY WA

X-350