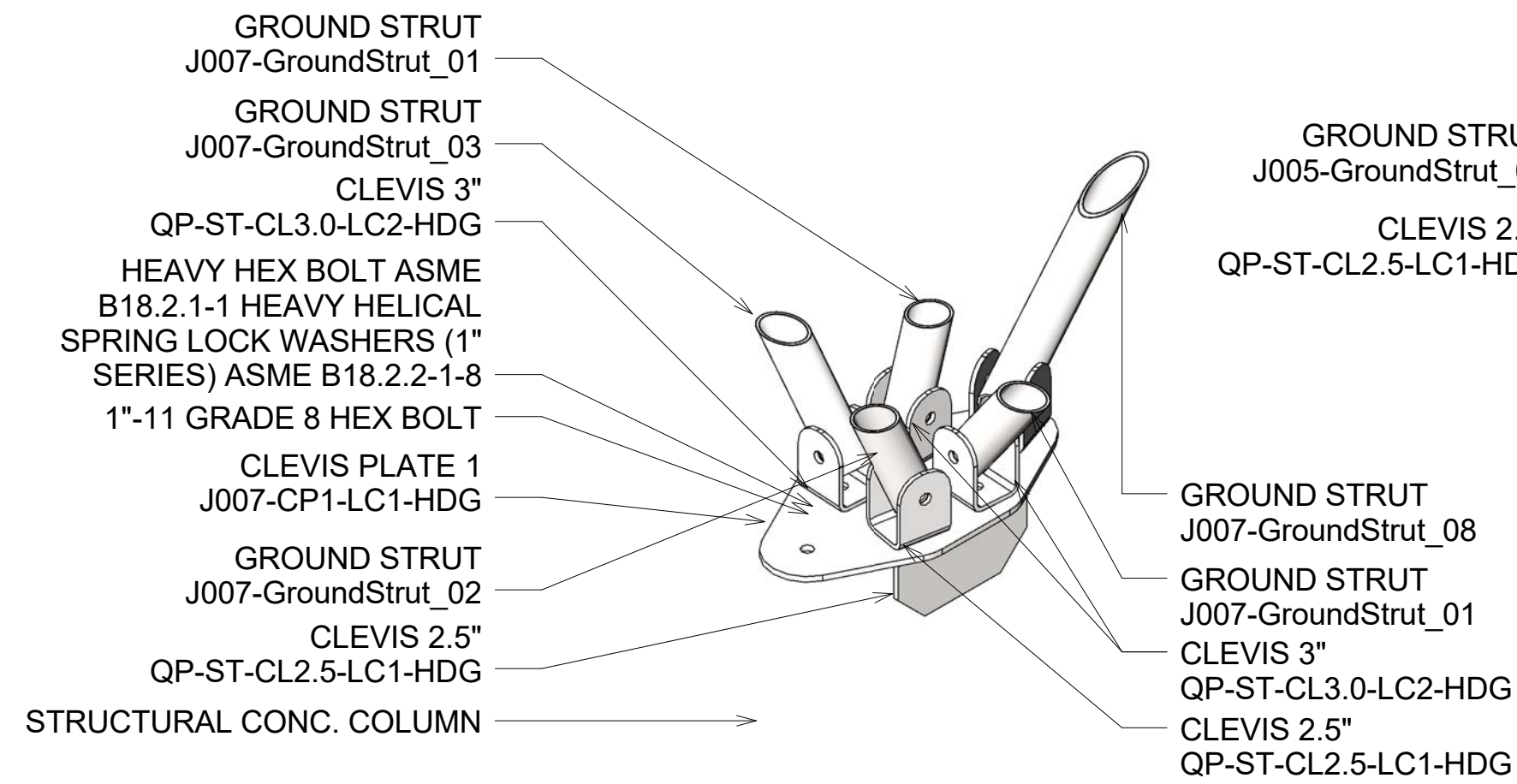
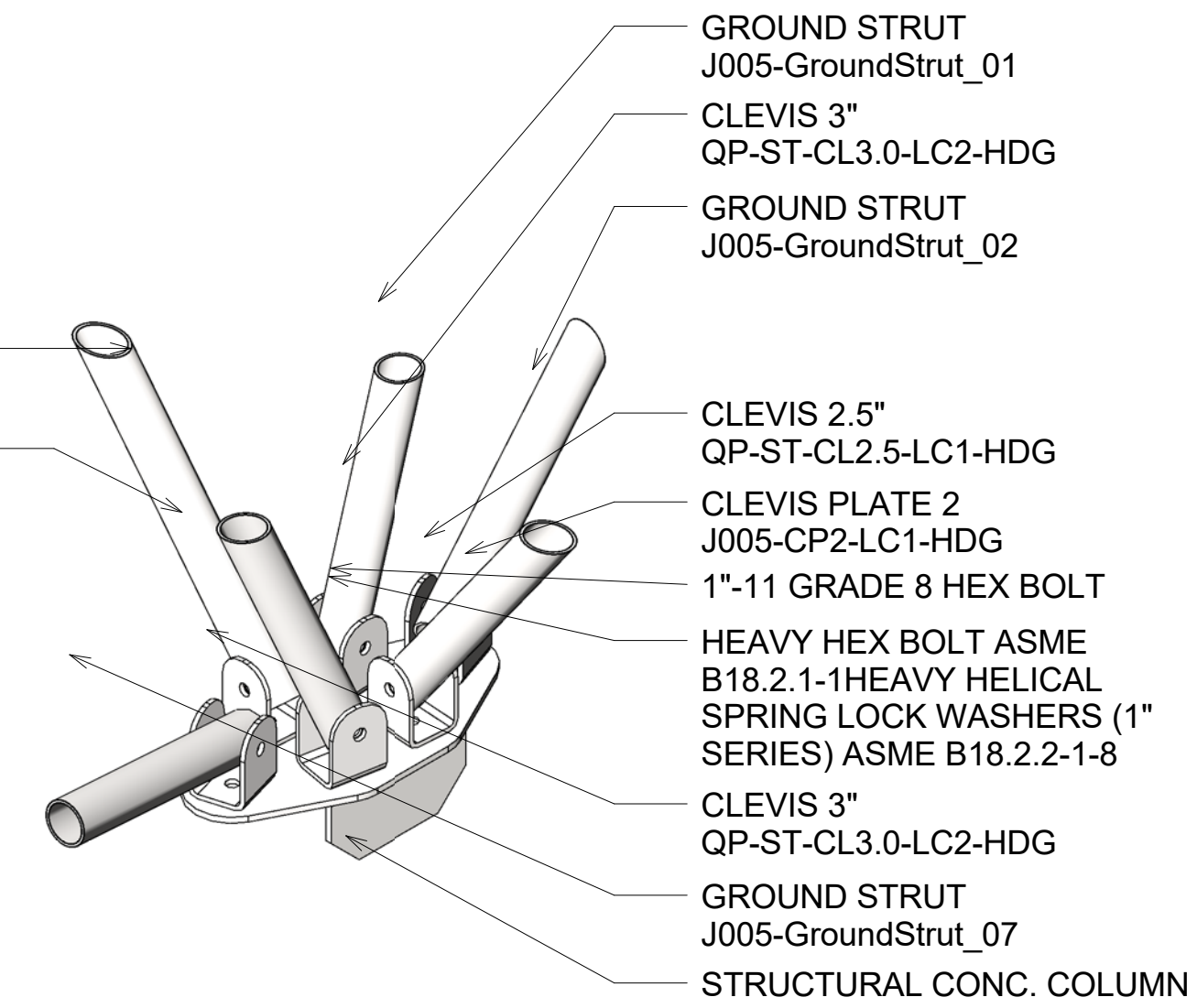


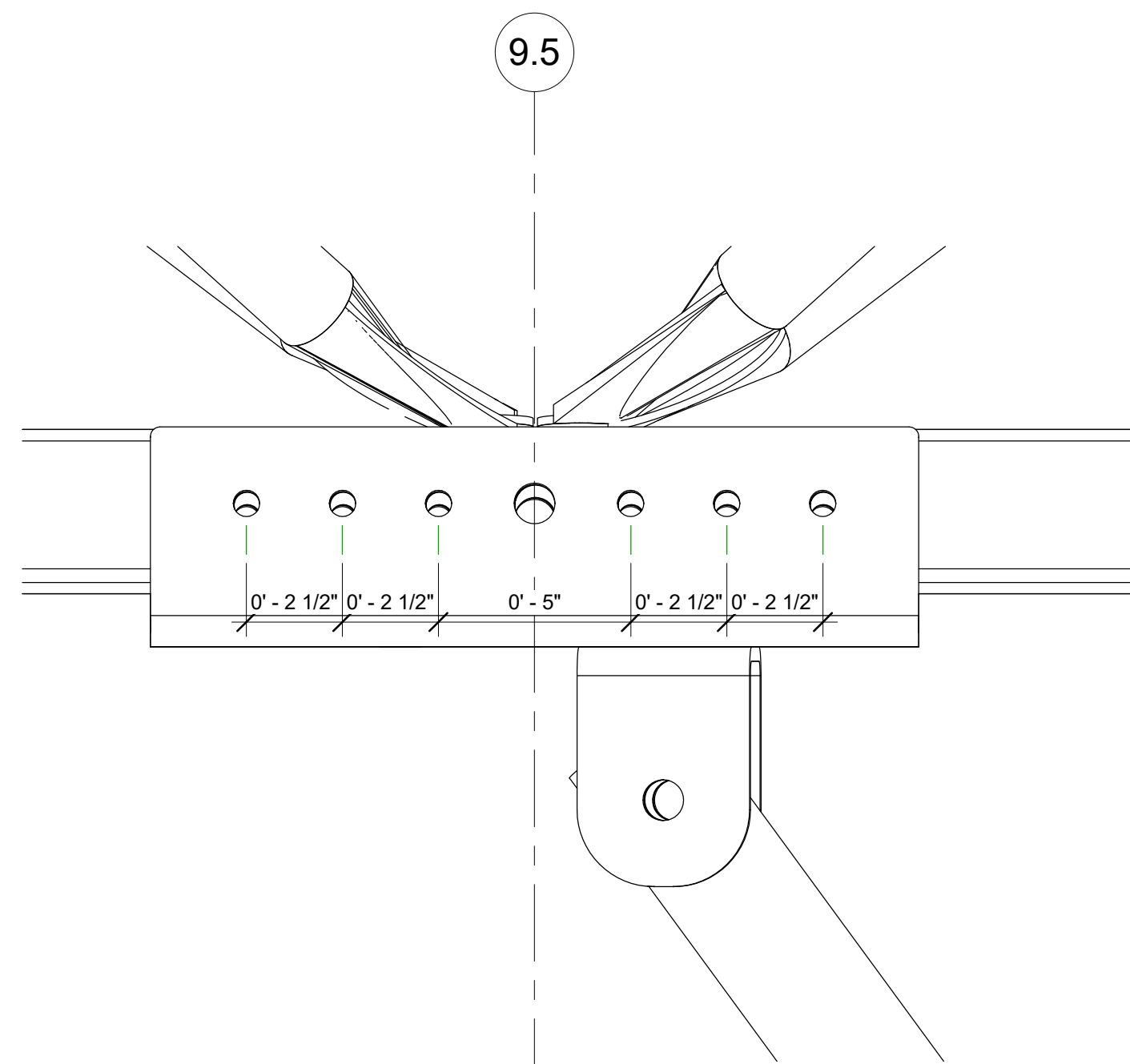
1 DETAIL AXON - LC TO CLEVIS



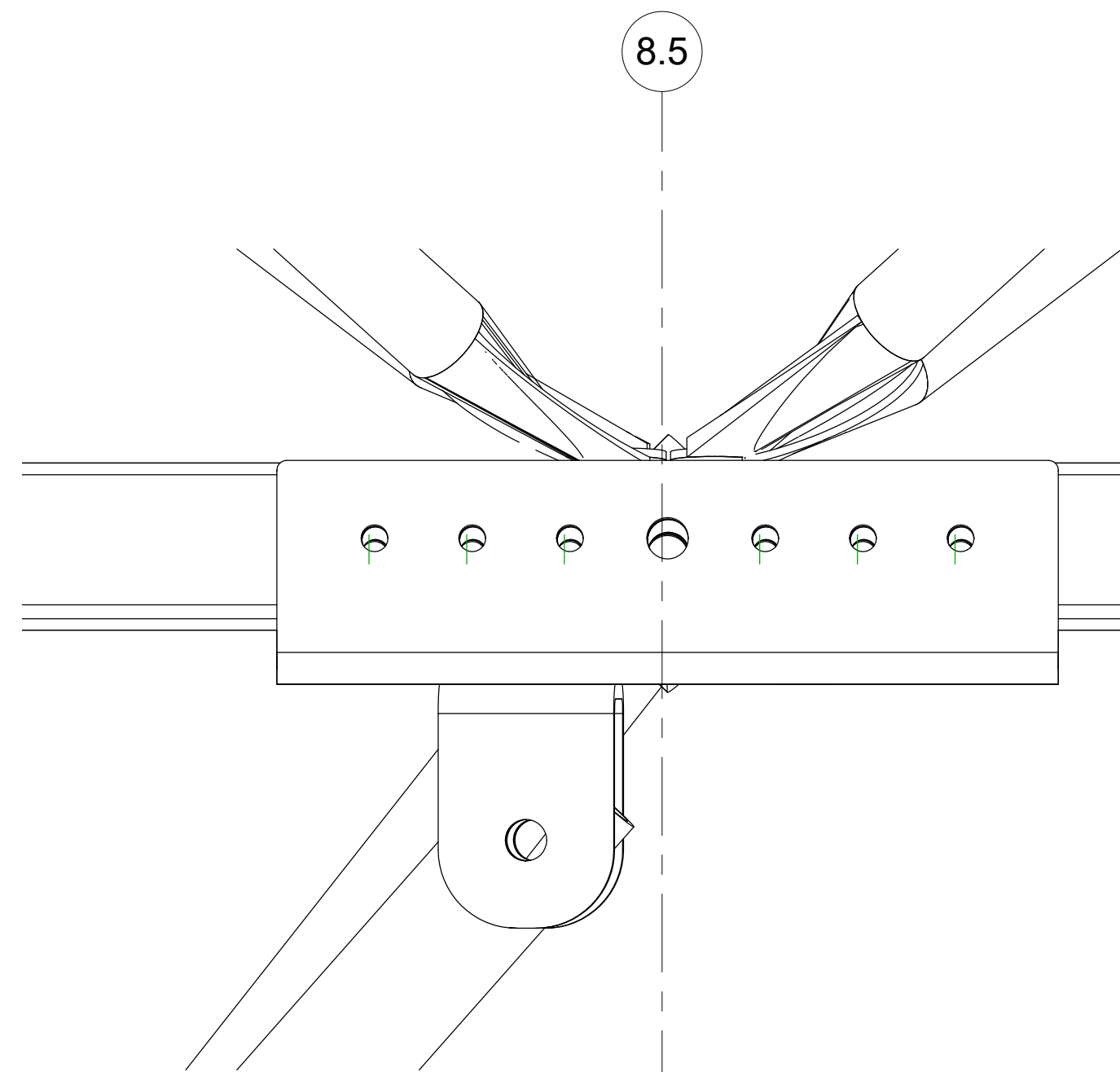
5 DETAIL AXON - BASEPLATE TO COLUMN 2



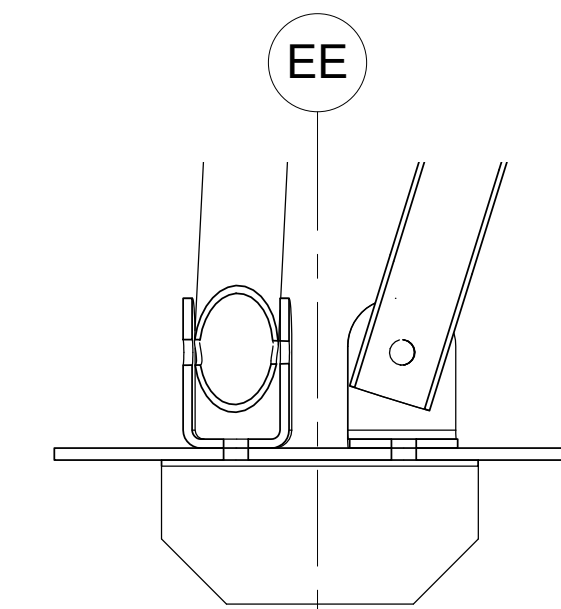
6 DETAIL AXON - BASEPLATE TO COLUMN



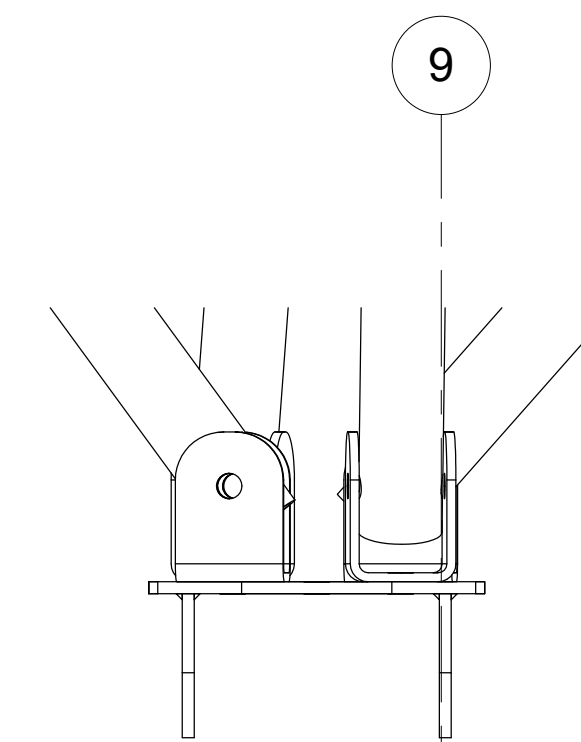
2 ELEVATION DETAIL - WEDGE SPLICE TO SUBSTRUCTURE - DOUBLE CLEVIS
3" = 1'-0"



3 ELEVATION DETAIL - WEDGE SPLICE TO SUBSTRUCTURE - SINGLE CLEVIS
3" = 1'-0"

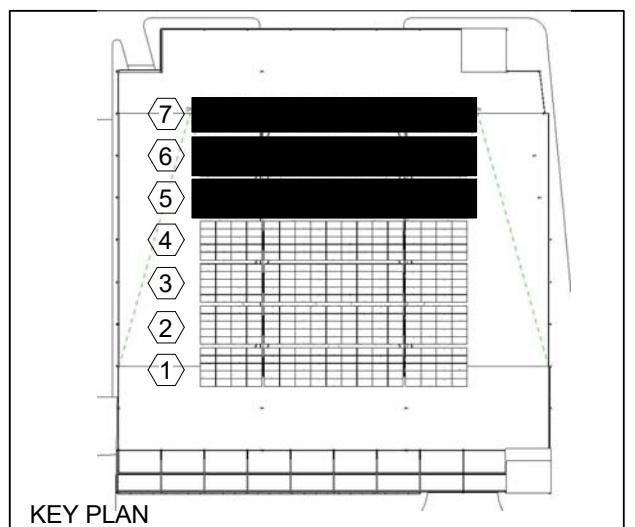


7 SECTION DETAIL - BASE PLATE
1 1/2" = 1'-0"



8 ELEVATION DETAIL - SUBSTRUCTURE TO BASE PLATE
1 1/2" = 1'-0"

#	DESCRIPTION	DATE
1	ISSUED FOR PERMIT	04/05/2017



KEY PLAN



SEALS

CONFIG 02 - SUBSTRUCTURE ASSEMBLY DETAILS

PROJECT NUMBER	J007
DATE	03/31/2017
DRAWN BY	JD
CHECKED BY	JEK

X-343