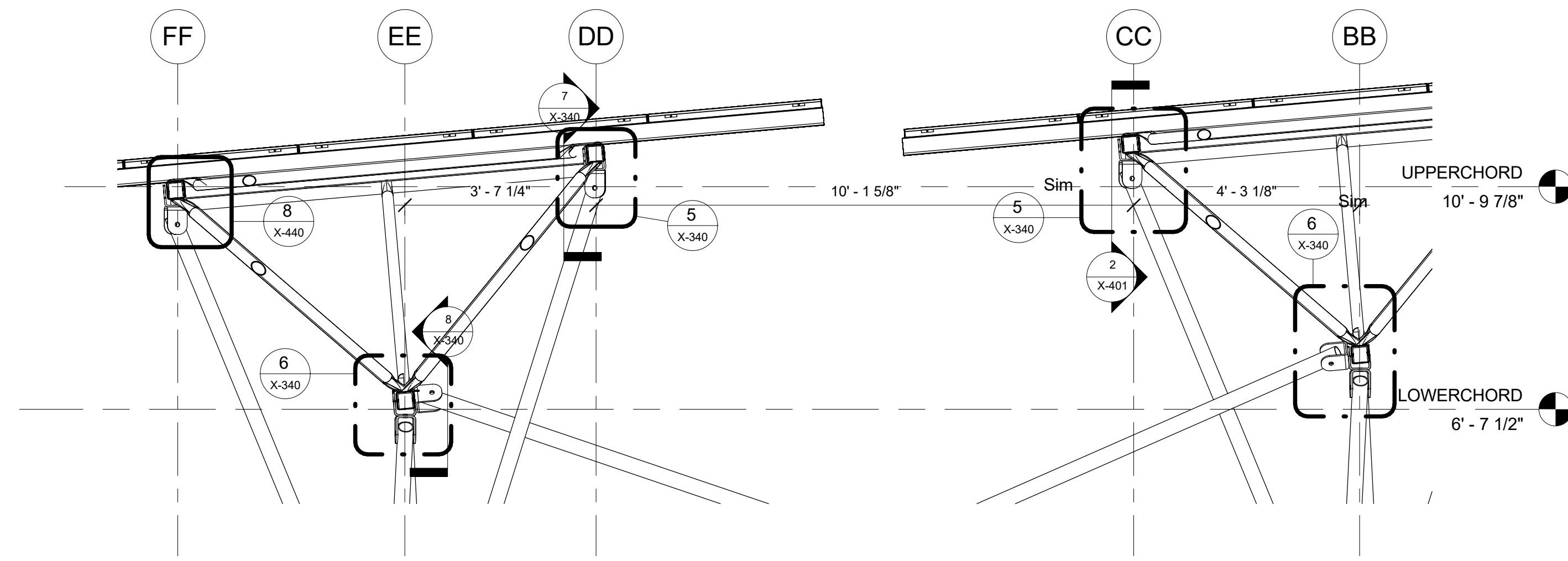
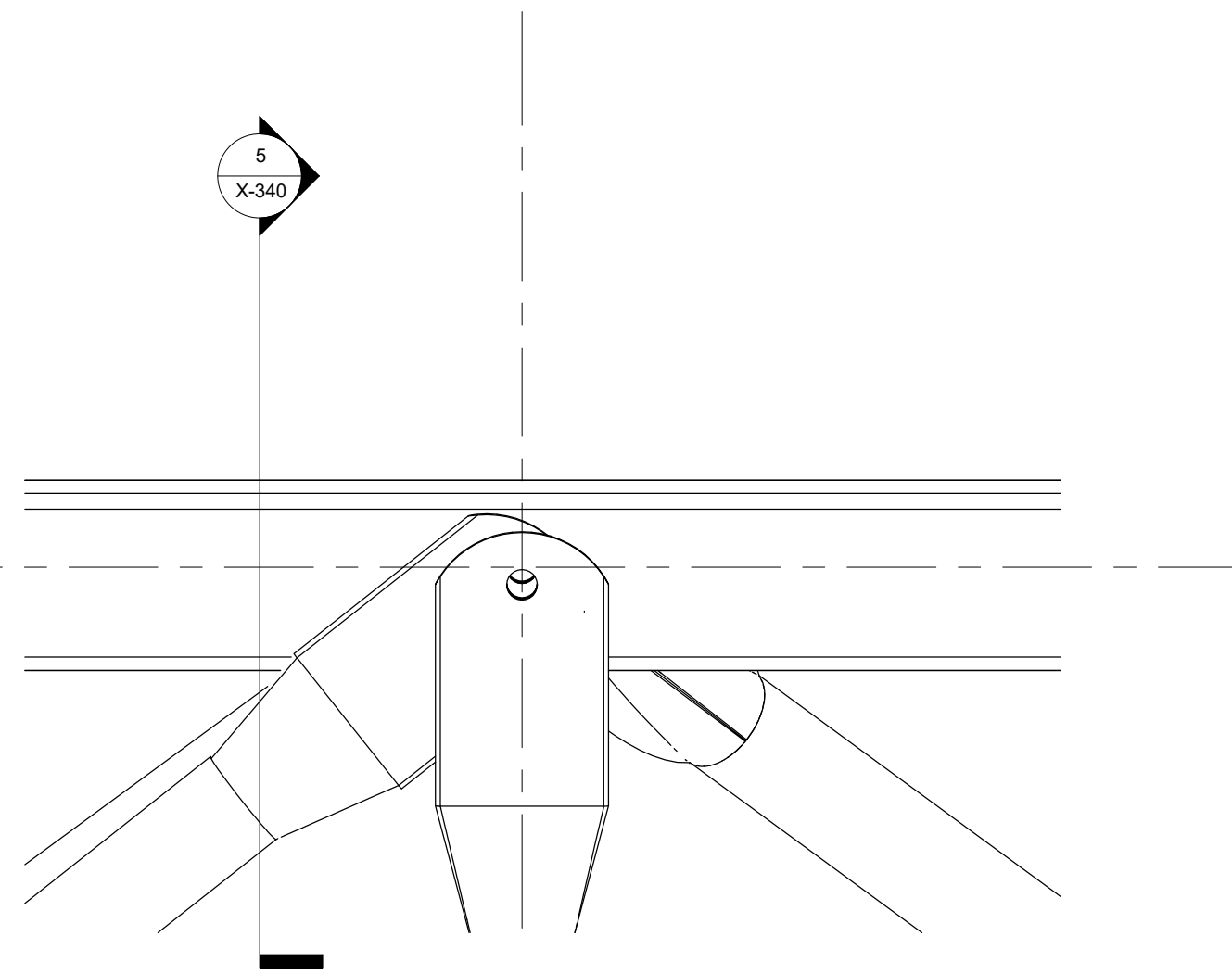


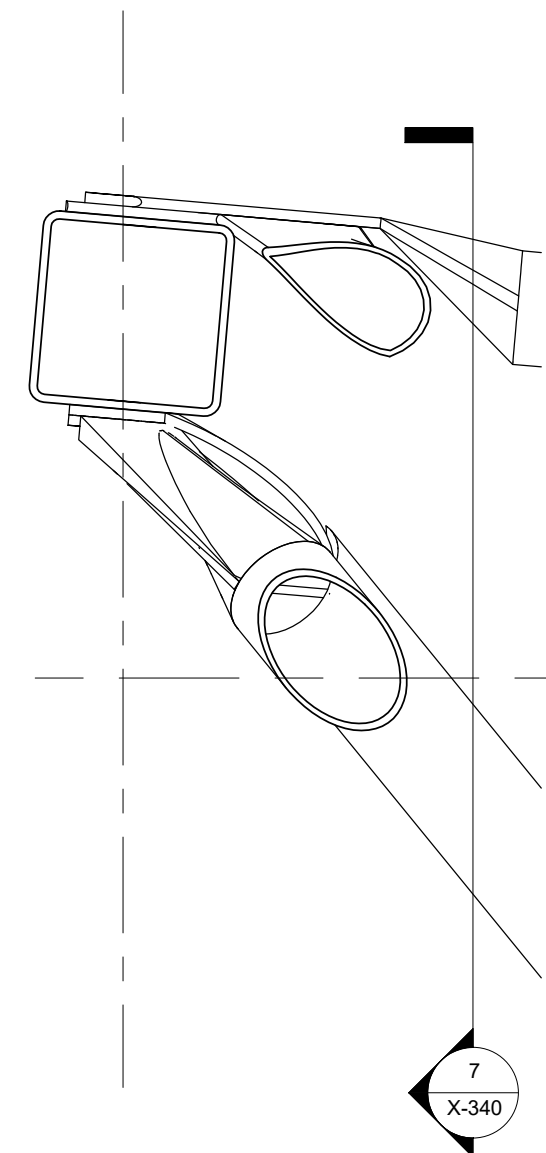
1 DETAIL AXON - BRIDGE STRUTS



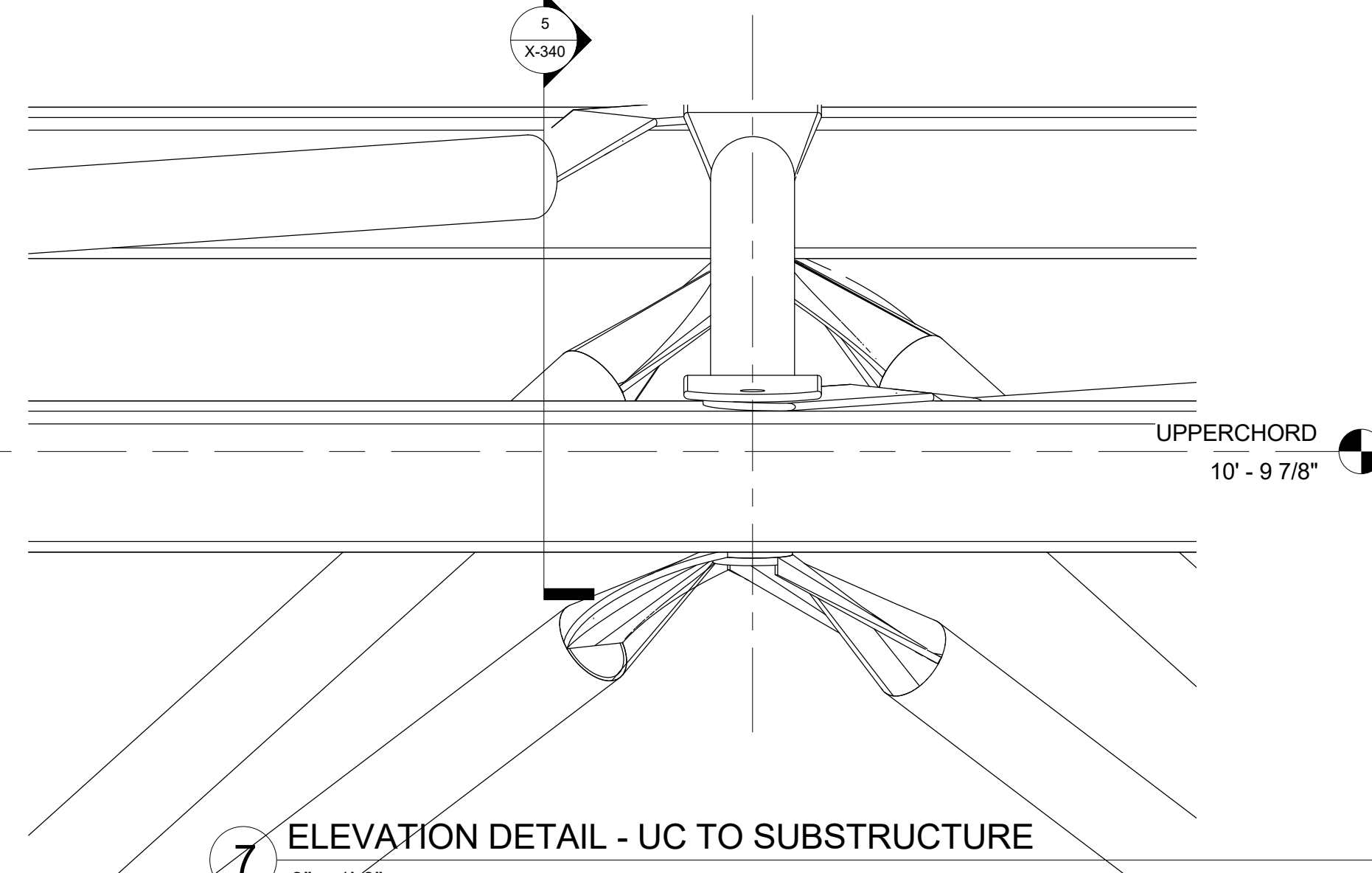
2 ENLARGED CROSS TRUSS SECTION  
1/2" = 1'-0"



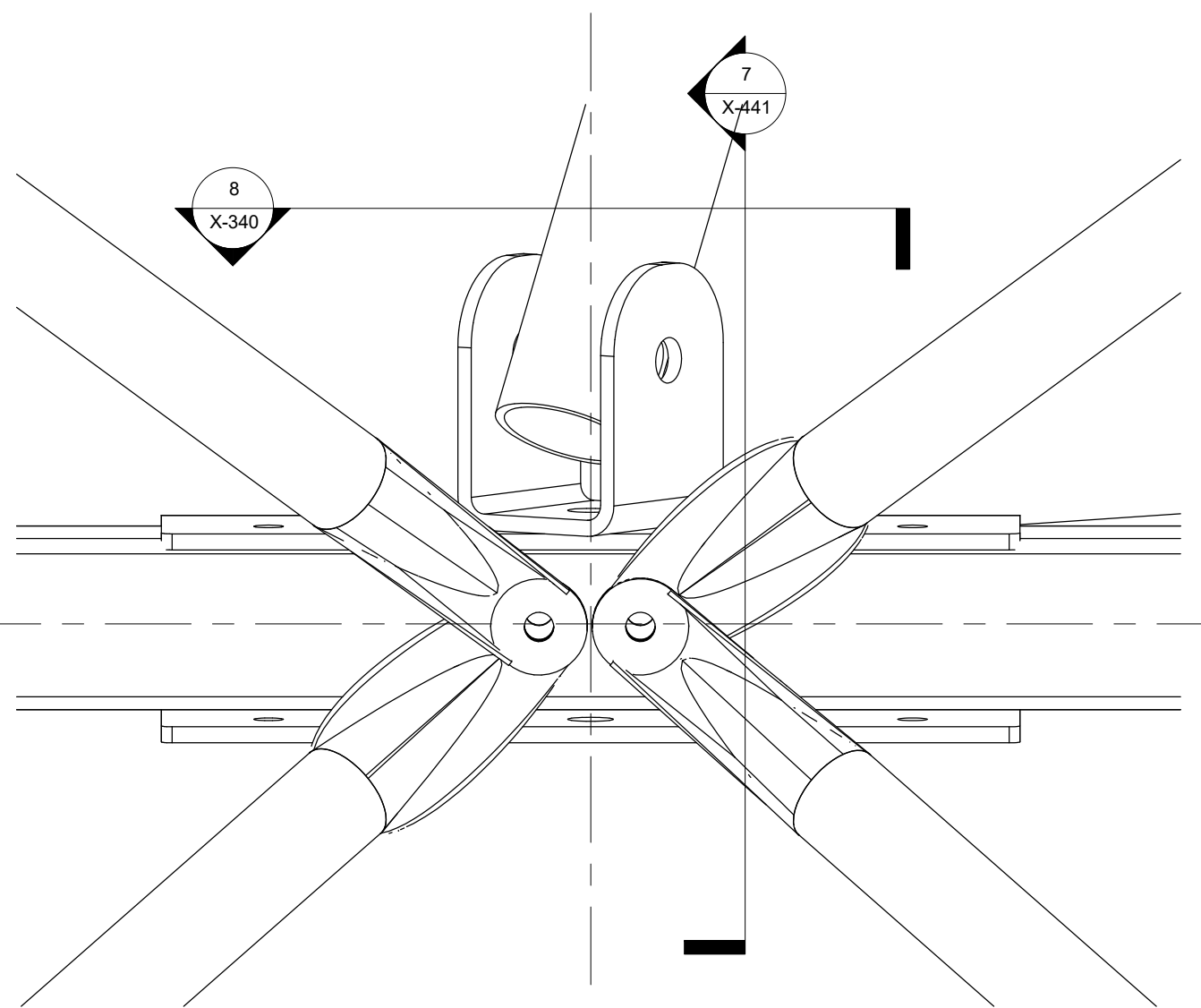
3 ENLARGED PLAN - UC DUAL CLEVIS CONNECTION  
3" = 1'-0"



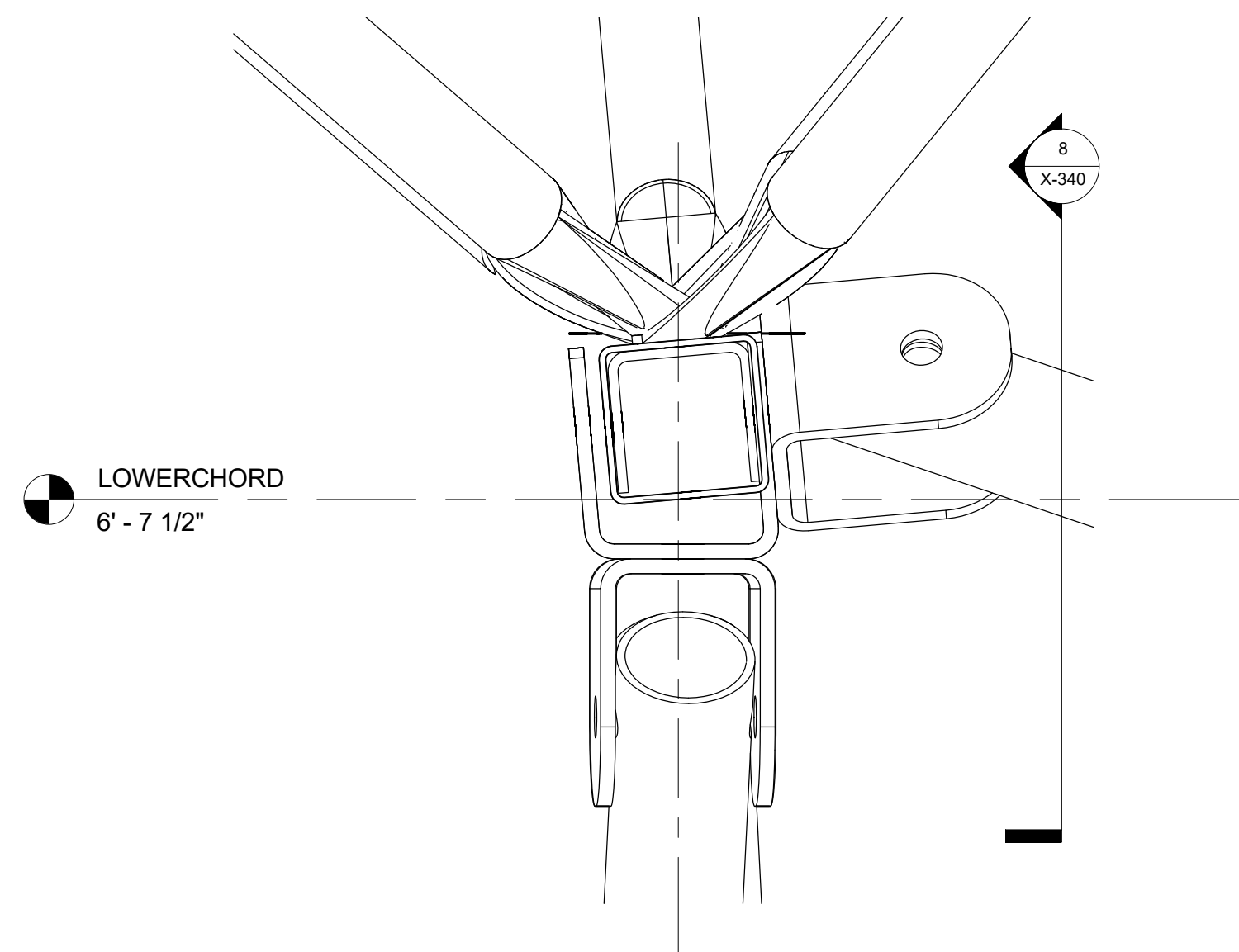
5 DETAIL SECTION - UC SIDE CLEVIS  
3" = 1'-0"



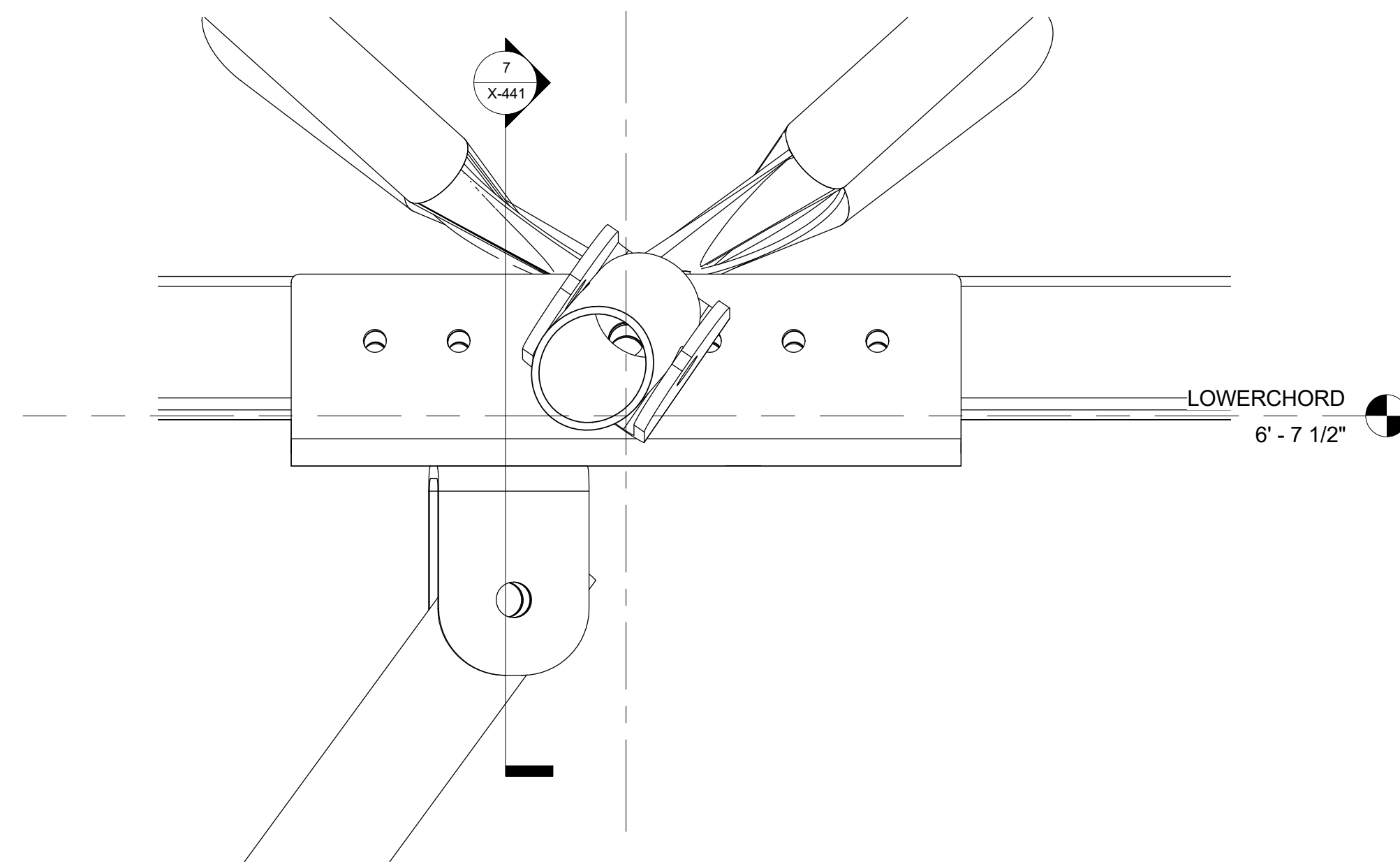
7 ELEVATION DETAIL - UC TO SUBSTRUCTURE  
3" = 1'-0"



4 ENLARGED PLAN - WEBSTRUT TO LC  
3" = 1'-0"



6 DETAIL SECTION - LC SUBSTRUCTURE  
3" = 1'-0"



8 ELEVATION DETAIL - LC TO SUBSTRUCTURE  
3" = 1'-0"

**QUEST RENEWABLES**  
75 5th ST. NW, SUITE 2150  
ATLANTA, GA 30308

www.questrenewables.com  
(404) 536-5787

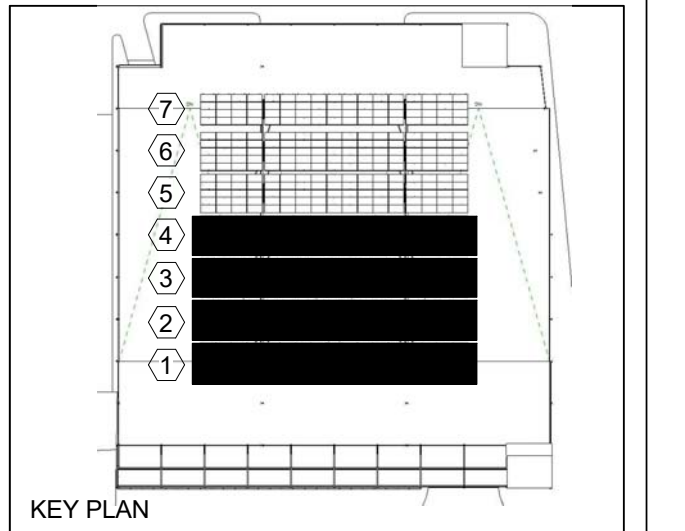
STRUCTURAL CONSULTANT:  
**AO STRUCTURES**  
P.O. BOX 413  
CARNELIAN BAY, CA,  
96140  
916.514.8586  
www.AOstructures.com

CLIENT:  
**Revision Energy**  
142 PRESUMPCOT ST.  
PORTLAND, ME 04103  
(207)221-6342  
joshd@ReVisonEnergy.com

**FORE STREET PARKING GARAGE**  
PARKING DECK CANOPY  
425 FORE ST,  
PORTLAND, ME 04101

**QUADPOD CANOPY SYSTEM**  
193.6 KW DC  
578 PV MODULES  
5.00° DEGREE TILT  
150.00° DEGREE AZIMUTH

#	DESCRIPTION	DATE
1	ISSUED FOR PERMIT	04/05/2017



KEY PLAN



SEALS

**CONFIG 01 - SUBSTRUCTURE TRUSS CONNECTIONS**

PROJECT NUMBER J007  
DATE 03/31/2017  
DRAWN BY JD CHECKED BY WA

**X-340**