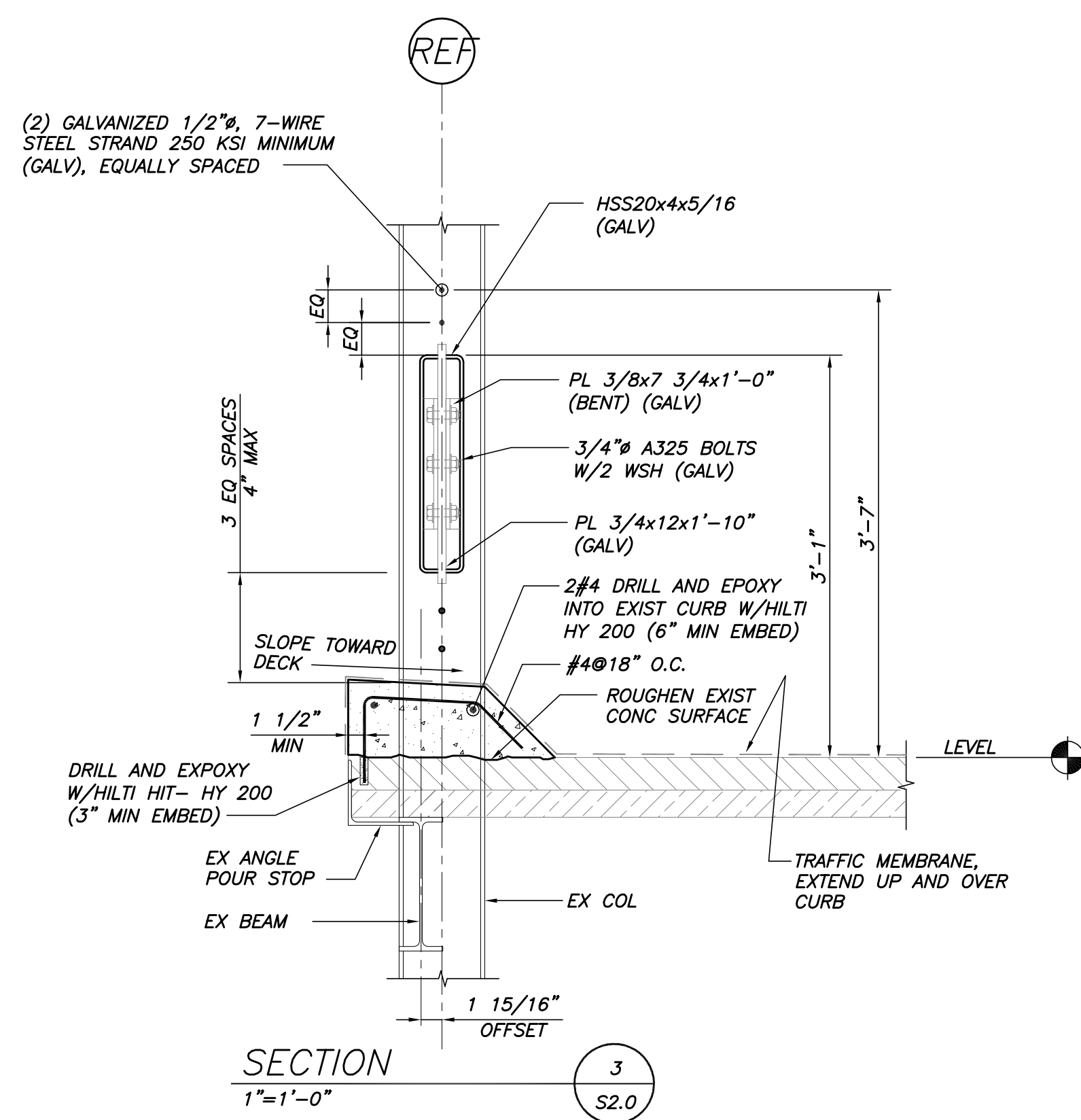
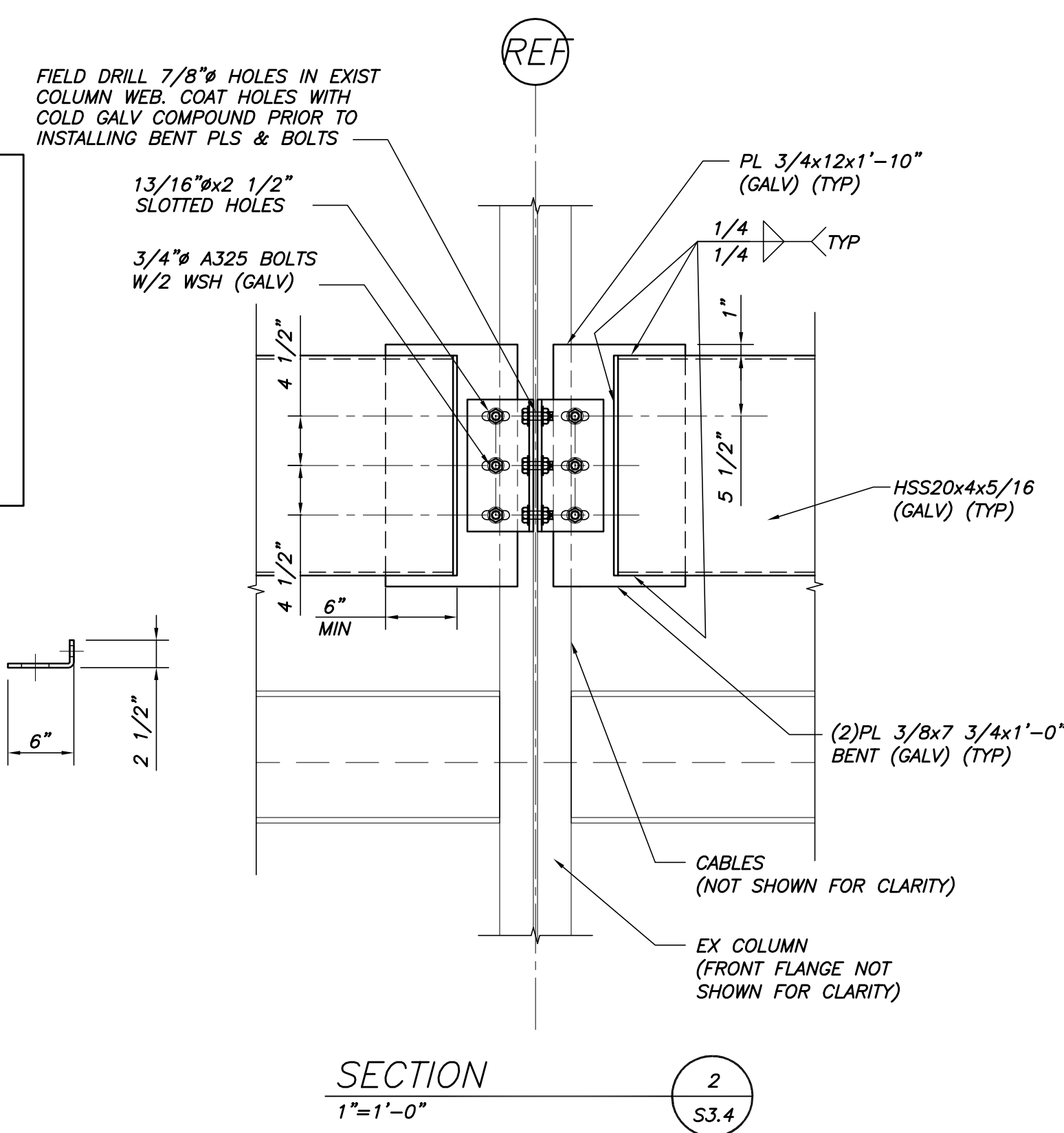


NOTE:
THE FOLLOWING VEHICLE BARRIER AND PEDESTRIAN GUARDRAIL CONDITIONS MUST BE MET:
A. MINIMUM PEDESTRIAN GUARDRAIL HEIGHT FROM TOP OF FENCE TO CURB IS 3'-7".
B. MINIMUM VEHICLE BARRIER HEIGHT FROM TOP OF HSS BARRIER TO DRIVE SURFACE IS 2'-9".
C. HSS BUMPER HAS BEEN INCREASED IN DEPTH AND HEIGHT TO LIMIT THE AMOUNT OF VEHICLE HEADLIGHT ILLUMINATION OUTSIDE OF THE GARAGE AND IS SIMILAR IN HEIGHT TO THE EXISTING PARAPET.
NOTIFY ENGINEER IMMEDIATELY IF ANY OF THESE CONDITIONS CANNOT BE MET.
D. BUMPER AND CABLE DIMENSIONS ARE TAKEN FROM TOP OF DRIVE SURFACE WITH ASPHALT PAVEMENT REMOVED.



Approved	
Issued For	ISSUED FOR PRICING ISSUED FOR PERMIT
Date	10/26/16 12/12/16
Rev. No	

FORE STREET PARKING FACILITY
PORTLAND, MAINE
PHASE 10
SECTIONS & DETAILS

Designed	JMM	Scale	AS NOTED
Drawn	RJB	Date	10/26/16
Checked	JMM	Becker Job Number	3904