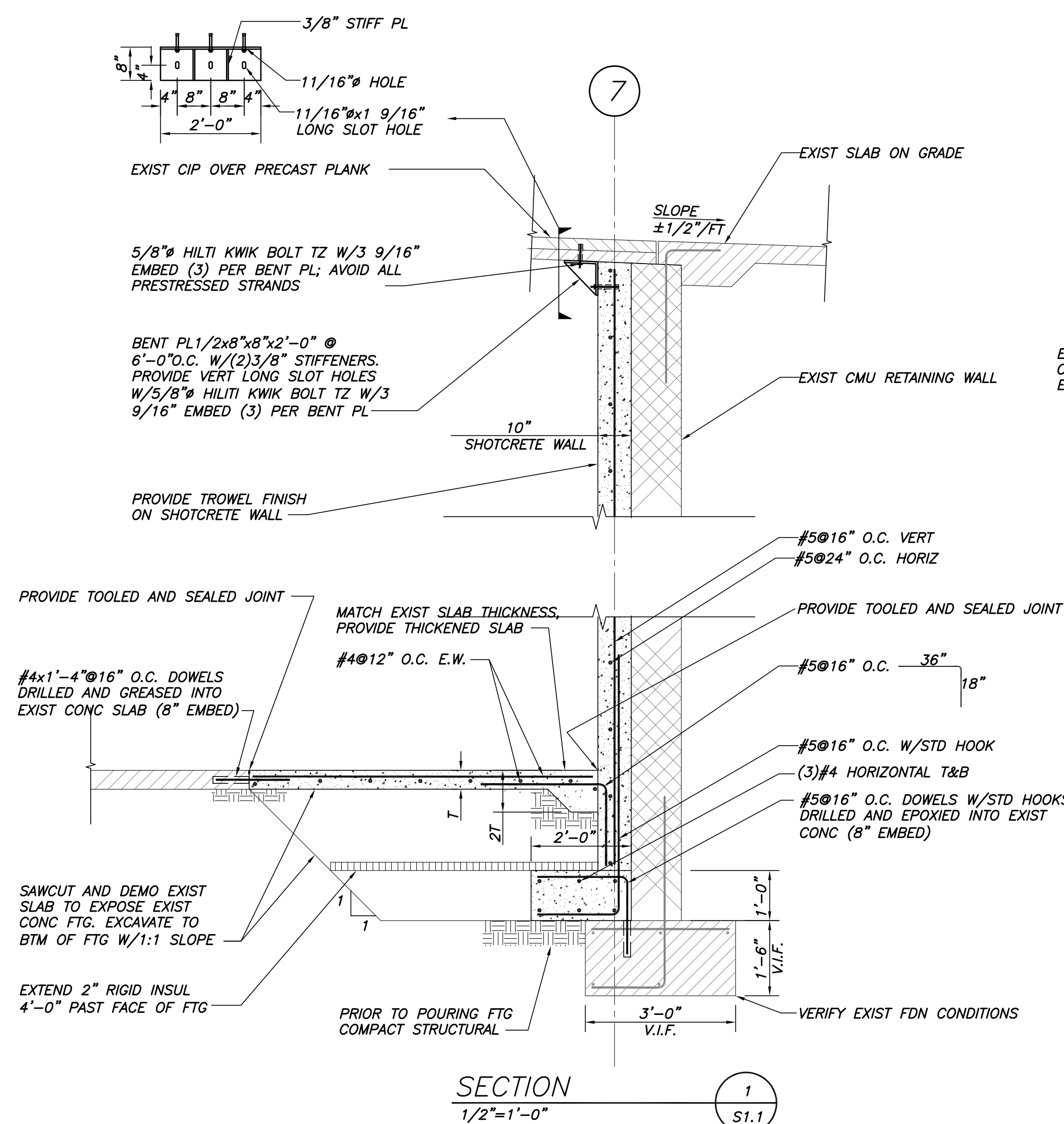


Approved For	Issued For
Date	10/26/16
Rev. No.	12/12/16
	ISSUED FOR PRICING
	ISSUED FOR PERMIT

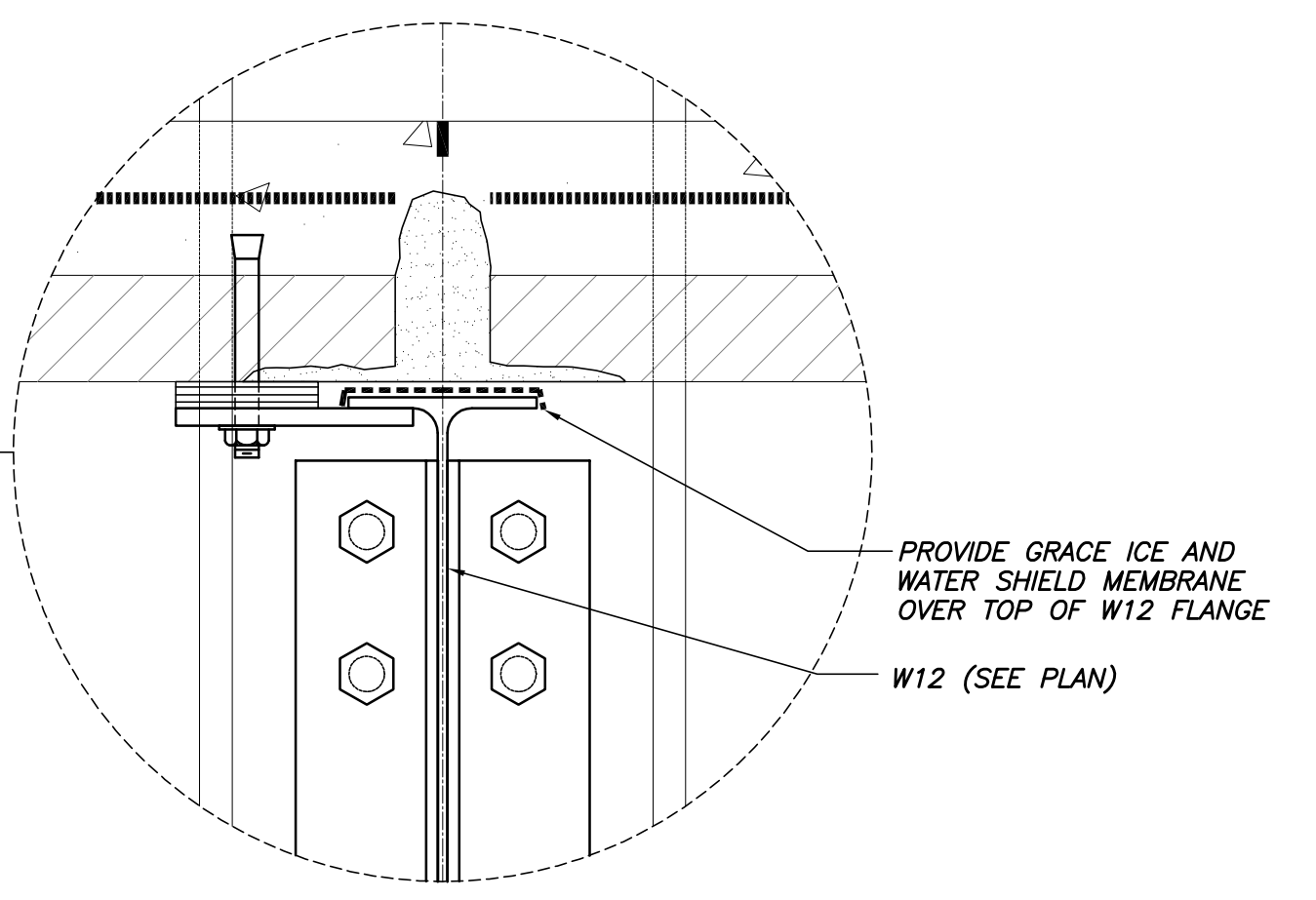
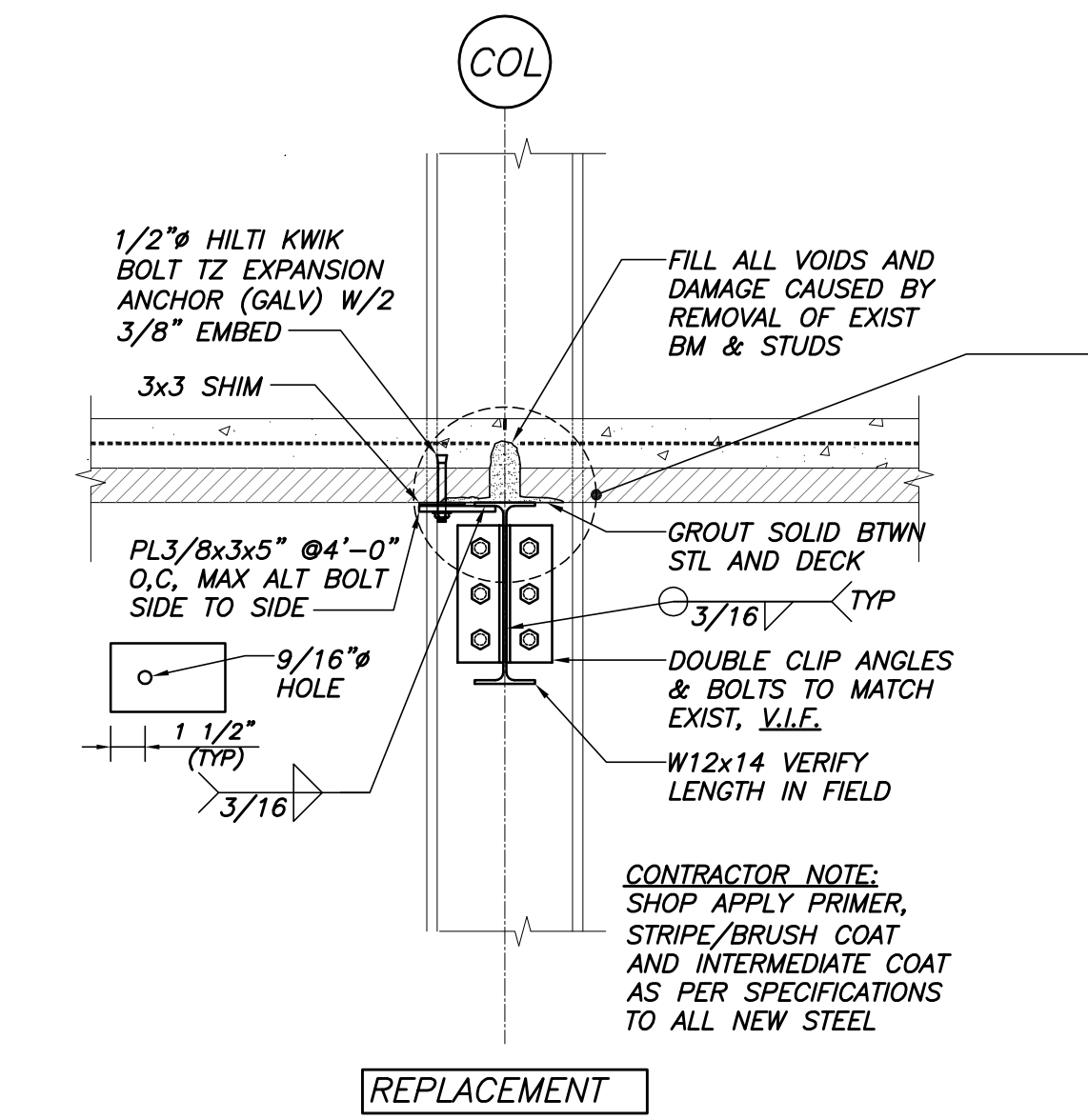
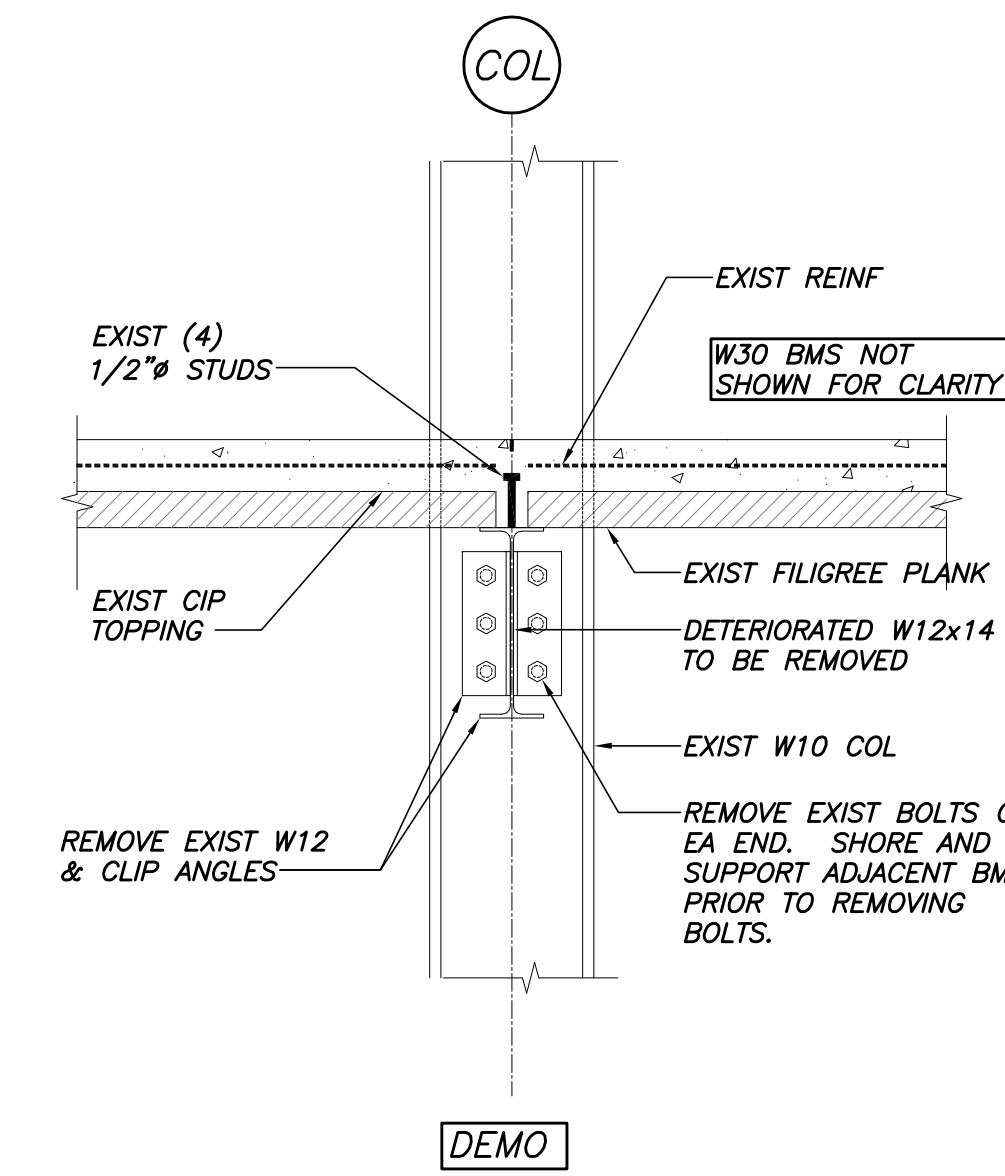
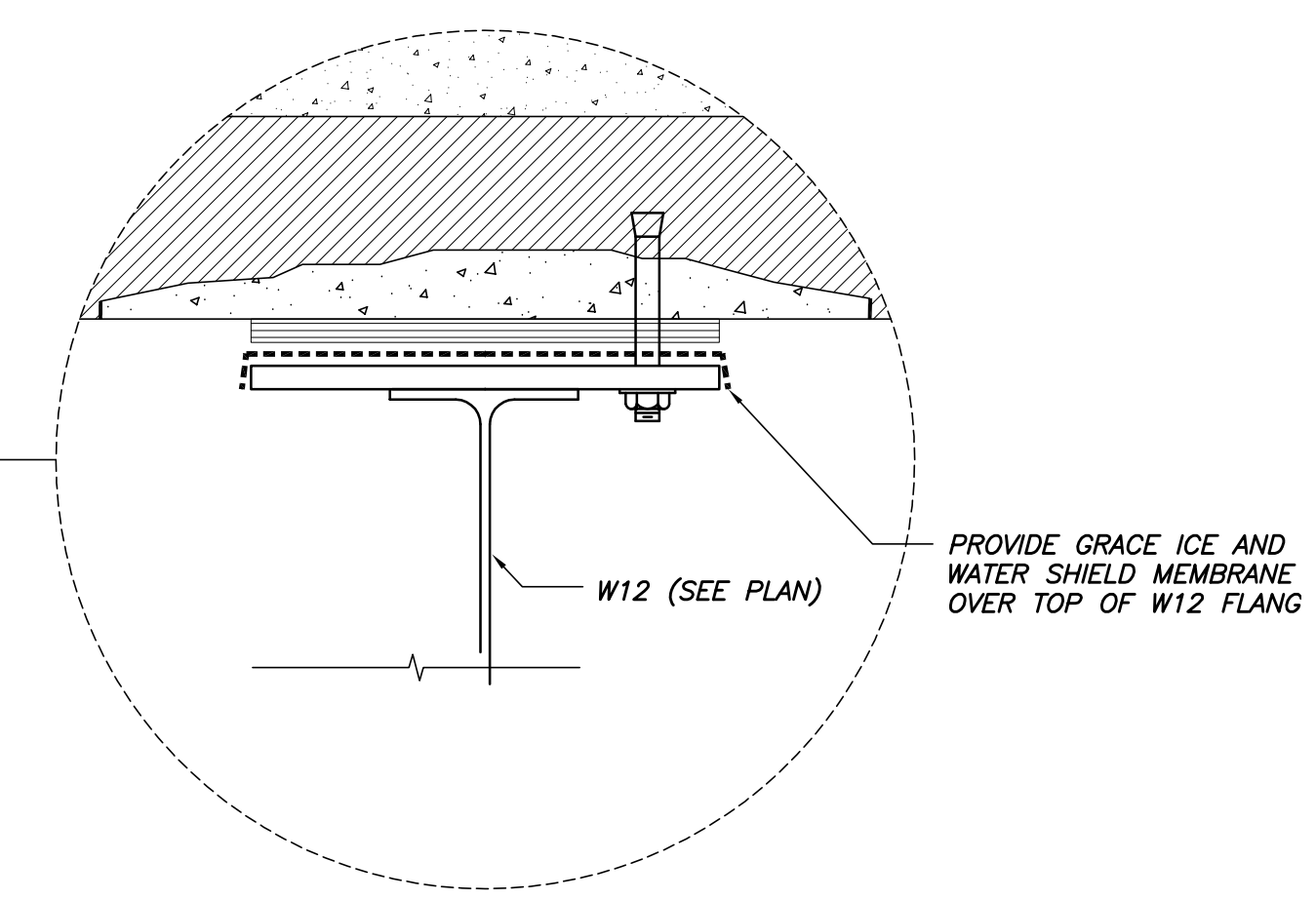
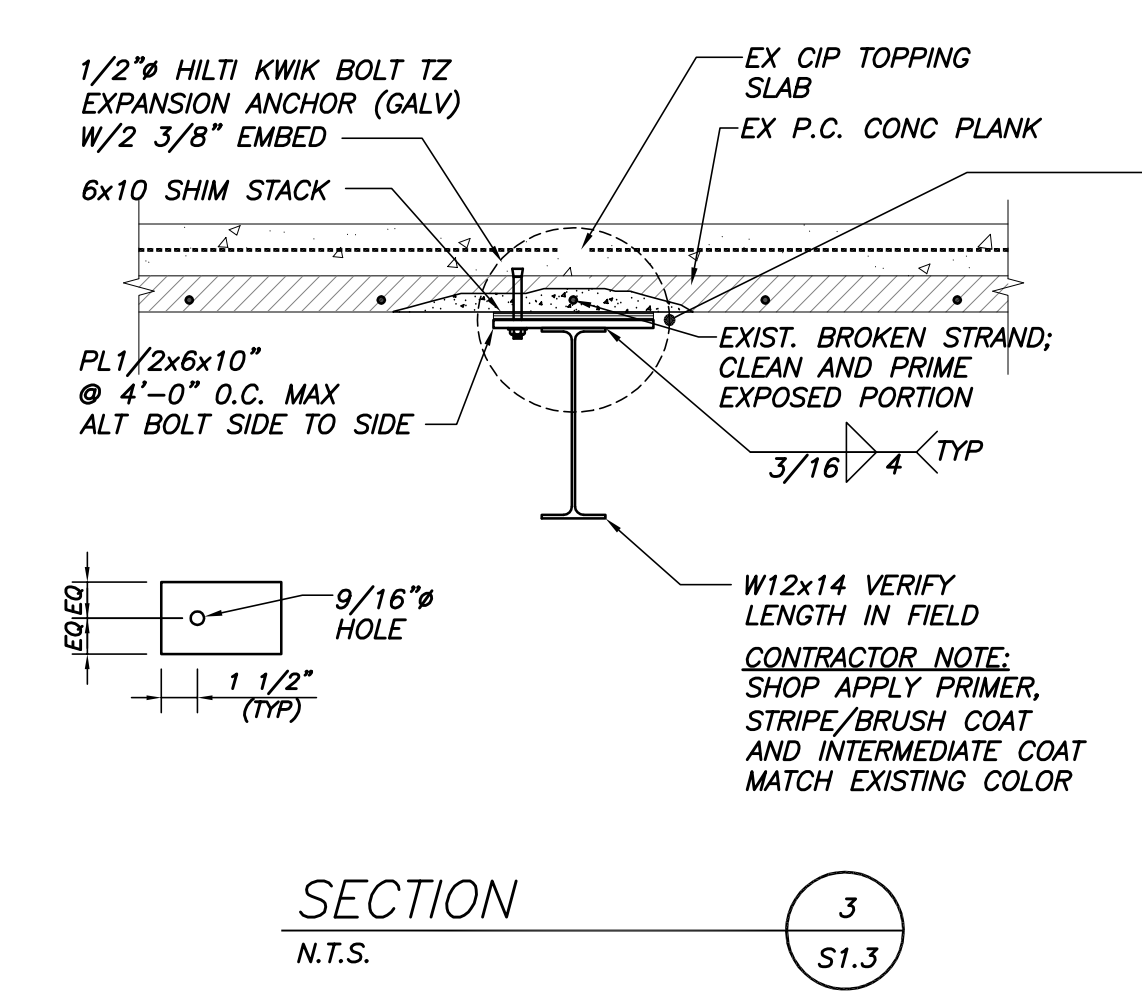
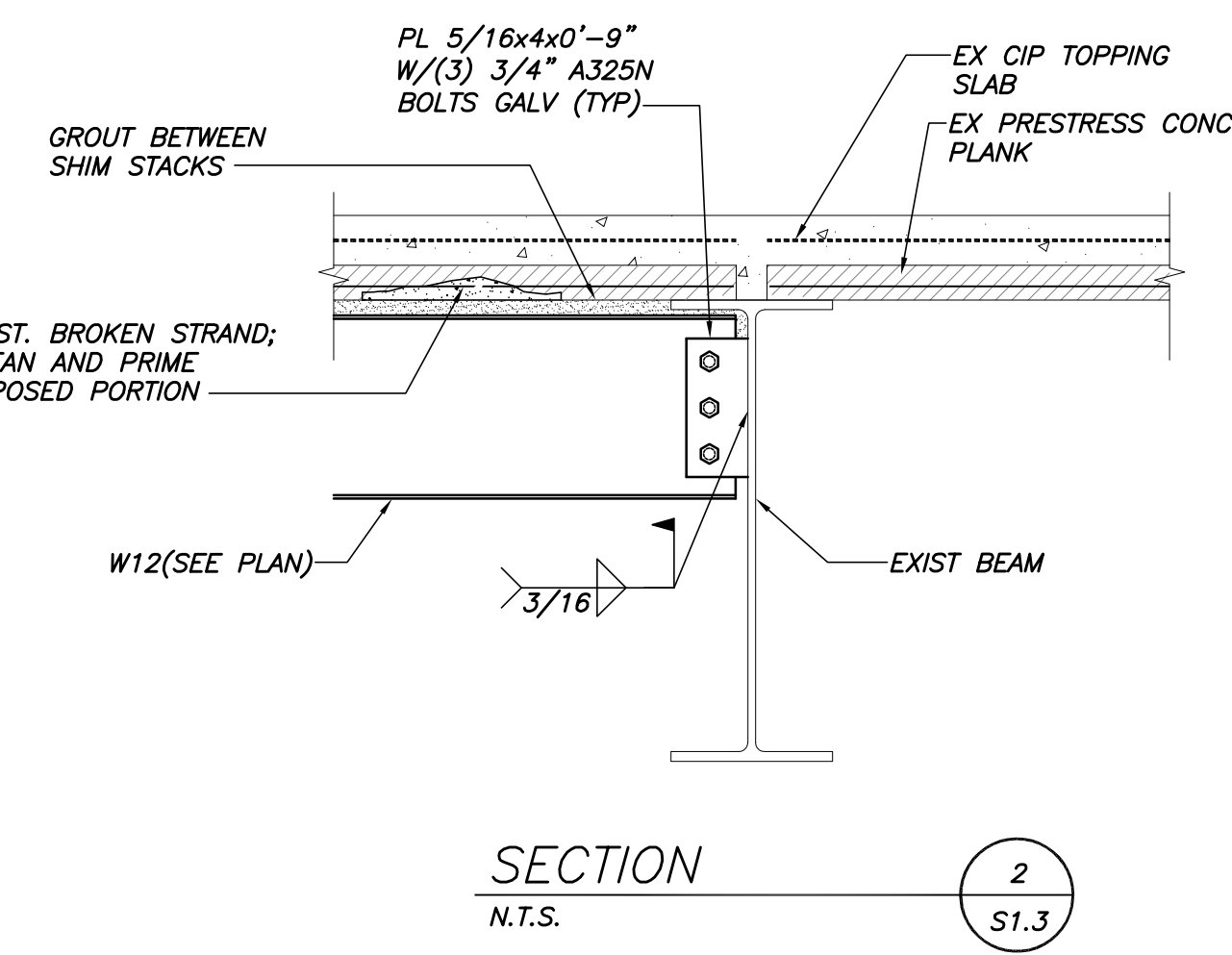
FORE STREET PARKING FACILITY
PORTLAND, MAINE
PHASE 10
MISC REPAIR DETAILS AND NOTES

Designed	Scale
ATS	AS NOTED
Drawn	Date
ATS	10/26/16
Checked	Becker Job Number
JMM	3904

S3.3



- NOTES:**
- CONTRACTOR TO VERIFY ALL FOUNDATION CONDITIONS. NOTIFY ENGINEER OF DISCREPANCIES BETWEEN EXISTING CONDITIONS AND DRAWINGS.
 - CONTRACTOR TO VERIFY LOCATION OF PRESTRESSED STRANDS PRIOR TO INSTALLATION OF ANCHOR BOLTS INTO PRECAST PLANK. FINAL LOCATION OF BENT PLATE AND ANCHOR BOLTS TO BE COORDINATED WITH ENGINEER.
 - RESTRIPES SLAB ON GRADE MARKINGS AFFECTED BY THIS WORK.
 - PROVIDE ALL PEDESTRIAN AND VEHICLE BARRIERS. PROVIDE SIGNAGE TO DIRECT PEDESTRIANS AND VEHICLES AROUND WORK.
 - PROVIDE TOOLED CONTROL JOINTS AS NOTED ON DRAWING S1.1.
 - PREPARE EXISTING WALL SURFACE BY SANDBLASTING OR OTHER APPROVED METHOD TO REMOVE PAINT AND TO PROVIDE A SURFACE PROFILE OF CSP-6.



- NOTES:**
- CONTRACTOR TO FIELD VERIFY ALL EXIST DIMENSIONS, AND SIZE OF EXIST BOLTS, SHEAR TABS, AND WIDE FLANGE BEAM.
 - EXIST STEEL MUST BE SAND BLASTED CLEAN AND PAINTED AS PER SPECIFICATIONS PRIOR TO REPLACING BEAM.
 - ANY DAMAGE TO CONCRETE FLOOR SLAB SHALL BE REPAIRED PRIOR TO INSTALLATION OF NEW W BEAM.
 - ALL BOLTS SHALL BE A325 (GALV).
 - ALL STEEL SHALL BE A36 MIN.