

HEAVY DUTY TRAFFIC MEMBRANE OVER EXPOSED CONCRETE

N.T.S.

NOTES:

1. REF SPECS AND MANUF DATA SHEETS FOR APPLICATION RATES.
2. PRIMER AND PRE-STRIPING SHALL BE APPLIED AS PER MANUFACTURERS RECOMMENDATIONS.

MEMBRANE NOTES

PROJECT CONDITIONS:

1. DO NOT PROCEED WITH APPLICATION OF MATERIALS WHEN DECK TEMPERATURE IS LESS THAN 40 DEGREES F.
2. DO NOT APPLY MATERIALS UNLESS SURFACE TO RECEIVE COATING IS CLEAN AND DRY.
3. REMOVE ALL LOOSE AND DELAMINATED MEMBRANE.
4. CONTRACTOR SHALL COORDINATE A MEETING WITH OWNER, ENGINEER AND MATERIAL MANUFACTURER'S REPRESENTATIVE TO REVIEW APPLICATION, MAINTENANCE REQUIREMENTS, MATERIAL LIMITATIONS AND WARRANTY.
5. PROVIDE IN WRITING FROM MANUFACTURER THAT TRAFFIC BEARING MEMBRANE SYSTEM IS COMPATIBLE WITH EXISTING CONDITIONS.
6. ENSURE TRAFFIC STRIPING PAINT IS COMPATIBLE WITH THE SELECTED TRAFFIC BEARING MEMBRANE.
7. APPLICATOR SHALL BE APPROVED BY TRAFFIC MEMBRANE MANUFACTURER WITH A MINIMUM OF 5 YEARS OF EXPERIENCE WITH SUBMITTED MATERIAL AND APPLICATION.
8. CONTRACTOR SHALL VERIFY THAT ALL REPAIR/PATCH MATERIALS AND JOINT SEALANTS ARE COMPATIBLE WITH MEMBRANE.
9. MATERIAL SUPPLIER SHALL PERFORM AN ADHESION TEST TO EXISTING TRAFFIC MEMBRANE AND CONCRETE SURFACES (REFERENCE MOCKUP).

WARRANTY:

1. SUBMIT SAMPLE WARRANTY THAT STATES THAT THE MATERIAL AND LABOR/WORKMANSHIP INVOLVED IN THIS APPLICATION WILL BE WARRANTED FOR 5 YEARS FROM THE DATE OF SUBSTANTIAL COMPLETION BY THE INSTALLER AND THE TRAFFIC MEMBRANE MANUFACTURER. FULLY EXECUTED WARRANTY REQUIRED PRIOR TO FINAL PAYMENT.

CODES AND QUALITY CONTROL:

1. COMPLY WITH PROVISIONS OF THE FOLLOWING EXCEPT AS OTHERWISE INDICTED:
 - A. ICRI GUIDELINES NO. 03732 "SELECTING AND SPECIFYING CONCRETE SURFACE PREPARATION FOR SEALERS, COATINGS AND POLYMER OVERLAYS"
 - B. CODE OF FEDERAL REGULATIONS, PART 1926 PER OCCUPATIONAL SAFETY AND HEALTH ADMINISTRATION (OSHA), DEPARTMENT OF LABOR (LATEST EDITION).
 - C. REQUIREMENT OF REGULATORY AGENCIES: MATERIALS USED IN THE VEHICULAR TRAFFIC COATING SYSTEM SHALL MEET EXISTING FEDERAL, STATE, AND LOCAL VOC REGULATIONS.

SYSTEM DESCRIPTION:

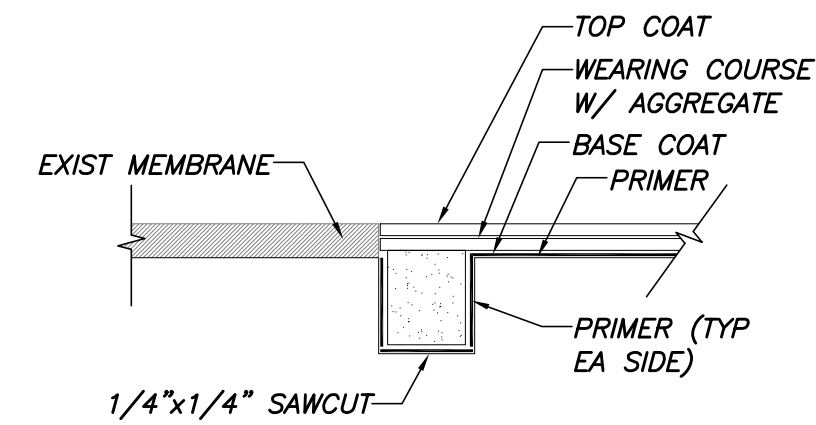
1. KELMAR T.E. EXPOSURE 3 SHALL BE A COMPLETE SYSTEM OF COMPATIBLE MATERIALS SUPPLIED BY THE SELECTED MANUFACTURER TO CREATE A SEAMLESS WATERPROOF MEMBRANE.

EXAMINATION:

1. CONCRETE: VERIFY THAT THE WORK DONE UNDER OTHER SECTIONS MEETS THE FOLLOWING REQUIREMENTS:
 - A. THAT THE CONCRETE DECK SURFACE IS FREE OF RIDGES AND SHARD PROJECTIONS.
 - B. THAT THE CONCRETE WAS CURED FOR A MINIMUM OF 28 DAYS (MINIMUM OF 5,000 PSI COMPRESSIVE STRENGTH). WATER-CURED TREATMENT OF CONCRETE IS PREFERRED. THE USE OF CONCRETE CURING AGENTS REQUIRE WRITTEN APPROVAL BY THE MANUFACTURER.
 - C. THAT THE CONCRETE WAS FINISHED BY A POWER OF HAND STEEL TROWEL FOLLOWED BY SOFT HARD BROOM TO OBTAIN LIGHT TEXTURE OR "SIDEWALK" FINISH.
 - D. THAT DAMAGED AREAS OF THE CONCRETE DECK BE RESTORED AS PER CONTRACT DRAWINGS.

STEEL SURFACE PREPARATION

1. REMOVE ALL DUST, DEBRIS AND OTHER CONTAMINANTS FROM ALL STEEL SURFACES TO RECEIVE MEMBRANE.
2. SURFACES MUST BE CLEANED BY MECHANICAL MEANS TO BRIGHT METAL AND PRIMED IMMEDIATELY.



MEMBRANE TERMINATION DETAIL

N.T.S.

PREPARATION:

1. PROTECT PLANTS, VEGETATION, VEHICLES AND PEDESTRIANS WHICH MIGHT BE AFFECTED BY COATING. USE DROP CLOTHS OR MASKING AS REQUIRED.
2. ADHERE TO SPECIFICATIONS AND MANUFACTURER'S RECOMMENDATIONS.
3. CLEANING: SURFACES CONTAMINATED WITH OIL OR GREASE SHALL BE VIGOROUSLY SCRUBBED WITH A POWER BROOM AND A STRONG NON-SUDSING DETERGENT. THOROUGHLY WASH, CLEAN, AND DRY. AREAS WHERE OIL OR OTHER CONTAMINANTS PENETRATE DEEP INTO THE CONCRETE MAY REQUIRE REMOVAL BY MECHANICAL MEANS.
4. ALL SURFACE PREPARATION WORK SHALL BE COMPLETED PRIOR TO THE COATING APPLICATION. INSTALLATION OF MEMBRANE SHALL INDICATE ACCEPTANCE OF SURFACE.
5. SHOT BLASTING: REQUIRED SURFACE PREPARATION METHOD FOR REMEDIAL CONSTRUCTION. IS ALSO THE PREFERRED METHOD FOR NEW CONSTRUCTION. MECHANICALLY PREPARE SURFACE BY SHOT BLASTING TO INDUSTRY STANDARD SURFACE TEXTURE (ICRI'S CSP3-4).
6. SUBSTRATE SHALL BE TESTED FOR ACCEPTABLE MOISTURE CONTENT.
7. CRACKS AND COLD JOINTS: VISIBLE HAIRLINE CRACKS (UP TO 1/16") IN CONCRETE AND COLD JOINTS SHALL BE CLEANED, PRIMED AS REQUIRED AND TREATED WITH MEMBRANE COATING A MINIMUM DISTANCE OF 4" ON EACH SIDE OF CRACK TO YIELD A TOTAL THICKNESS OF 30 DRY MILS. ALL CRACKS SHALL BE ROUTED AND SEALED. WHERE SEALANT IS USED IT SHALL BE APPLIED TO INSIDE AREA OF CRACK ONLY, NOT APPLIED TO DECK SURFACE. DETAIL SEALED CRACKS WITH MEMBRANE COATING A DISTANCE OF 4" ON EACH SIDE OF CRACK TO YIELD A TOTAL THICKNESS OF 30 DRY MILS.
8. CONTROL DETAIL SEALED JOINTS WITH REINFORCING FABRIC SET IN MEMBRANE DETAIL COAT A DISTANCE OF 4" ON EACH SIDE OF CRACK TO YIELD A TOTAL THICKNESS OF 30 DRY MILS
9. FLASHING TAPE: INSTALL FLASHING TAPE OR REINFORCING FABRIC WHERE REQUIRED BY MANUFACTURER PRIOR TO THE APPLICATION OF COATING.
10. SURFACE CONDITIONS: SURFACE SHALL BE CLEAN AND DRY PRIOR TO COATING.

APPLICATION:

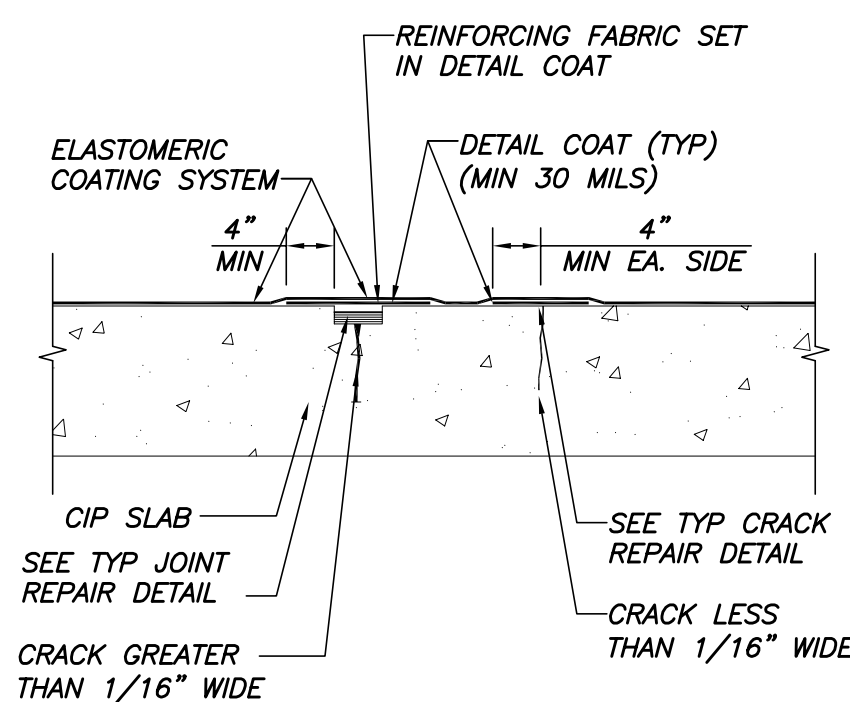
1. ENSURE THE PROPER WET FILM THICKNESS BY THE USE OF A GRID SYSTEM. DIVIDE SURFACE INTO GRIDS AND CALCULATE THE SQUARE FOOTAGE AND REFERENCE MANUFACTURERS COVERAGE CHART TO DETERMINE THE QUANTITY OF MEMBRANE REQUIRED TO ACHIEVE NOTED WET MIL THICKNESS.
2. PRIMER: APPLY PRIMER AT A MINIMUM RATE OF 300 SF/GAL TO ALL CONCRETE AND EXISTING MEMBRANE SURFACES. WITHIN 24 HOURS OF APPLICATION OF PRIMER BASE COAT OR WEARING COURSE MUST BE APPLIED. IF BASE COAT CANNOT BE APPLIED WITHIN 24 HOURS, RE-PRIME.
3. REFERENCE SPECS FOR APPLICATION RATES AND MIL THICKNESS OF BASE COAT AND WEARING COURSES.
4. BASE COAT: EXTEND BASE COAT OVER CRACKS AND JOINTS WHICH HAVE RECEIVED DETAIL TREATMENT.
5. WEARING COURSE: APPLY WEARING COURSE AND IMMEDIATELY BROADCAST SELECTED AGGREGATE, EVENLY DISTRIBUTED INTO WET COATING. FOR HEAVY DUTY APPLICATIONS REPEAT THIS STEP.
6. TOP COAT: FOLLOW MANUFACTURERS APPLICATION RECOMMENDATIONS.
7. MASK OFF AREAS THAT IS NOT TO RECEIVE TRAFFIC MEMBRANE. CONTRACTOR IS TO RUN STRAIGHT UNIFORM MEMBRANE TERMINATIONS.

PROTECTION:

1. AFTER COMPLETION OF APPLICATION DO NOT ALLOW TRAFFIC ON COATED SURFACES FOR A PERIOD OF AT LEAST 36 HOURS AT 75 °F AND 50% R.H. OR UNTIL COMPLETELY CURED.

MOCKUP:

1. A 100 SQUARE FOOT MOCKUP OF TYPICAL TRAFFIC MEMBRANE INSTALLATION SHALL BE COMPLETED PRIOR TO COMMENCING WORK. MOCKUP SHALL BE TESTED BY MEMBRANE MANUFACTURER OR SUPPLIER FOR TOTAL SYSTEM THICKNESS AND ADHESION AS PER ASTM D-903.

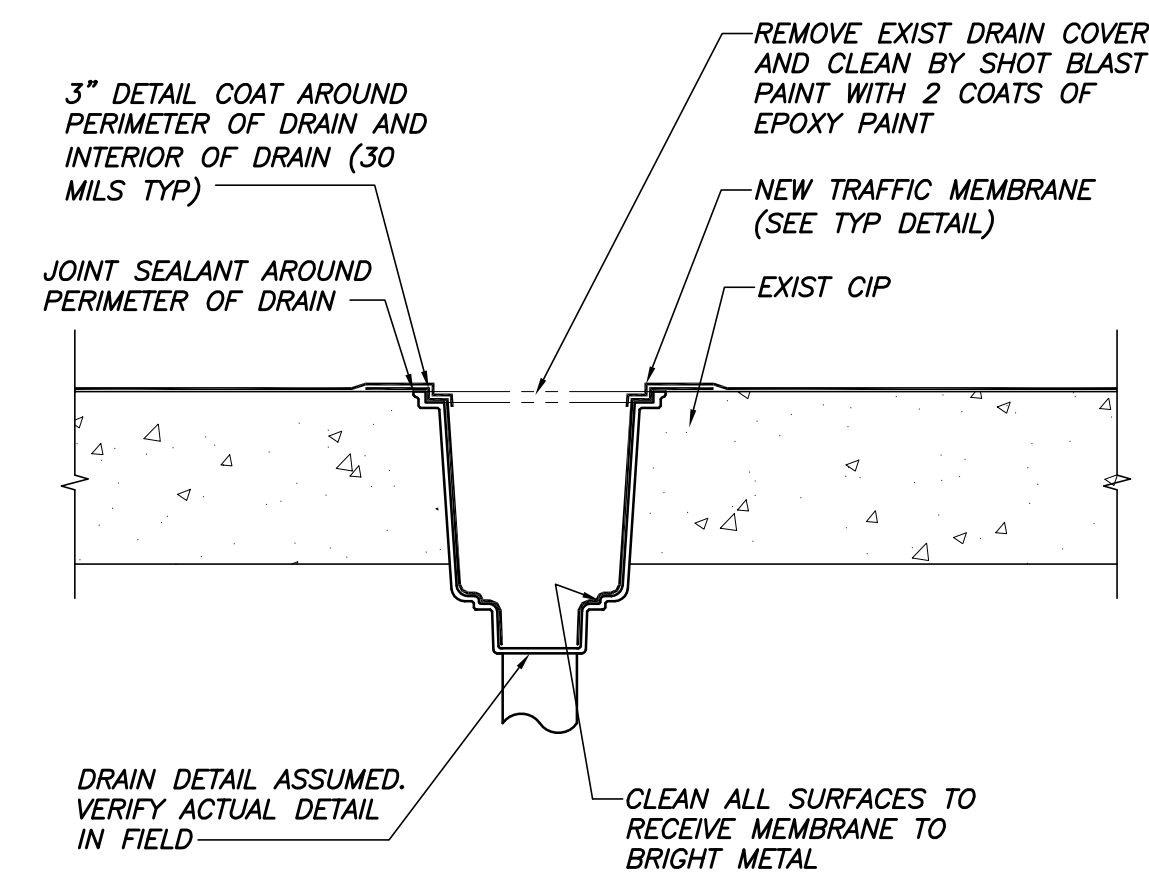


TYP MEMBRANE JOINT/CRACK DETAIL

N.T.S.

NOTES:

1. APPLICATION OF TRAFFIC MEMBRANE DETAIL COATS ARE A REQUIREMENT OVER CRACKS OR JOINTS AS DETAILED ABOVE.



TYP MEMBRANE DRAIN DETAIL

N.T.S.

Approved	
Issued For	ISSUED FOR PRICING ISSUED FOR PERMIT
Date	10/26/16 12/12/16
Rev. No	

FORE STREET PARKING FACILITY
PORTLAND, MAINE
PHASE 10
TRAFFIC MEMBRANE NOTES AND DETAILS

Designed	Scale
ATS	AS NOTED
Drawn	Date
ATS	10/26/16
Checked	Becker Job Number
JMM	3904