

1ST SUPPORTED LEVEL PLAN
1/16"=1'-0"



WORK CODE LEGEND

SYMBOL	DESCRIPTION	UNIT
CR	CONCRETE DECK REPAIR	(SF)
OHSK	OVERHEAD SPALL KNOCK DOWN AND COAT REINF. (EA)	(EA)
OHSR	OVERHEAD SPALL REPAIR	(SF)

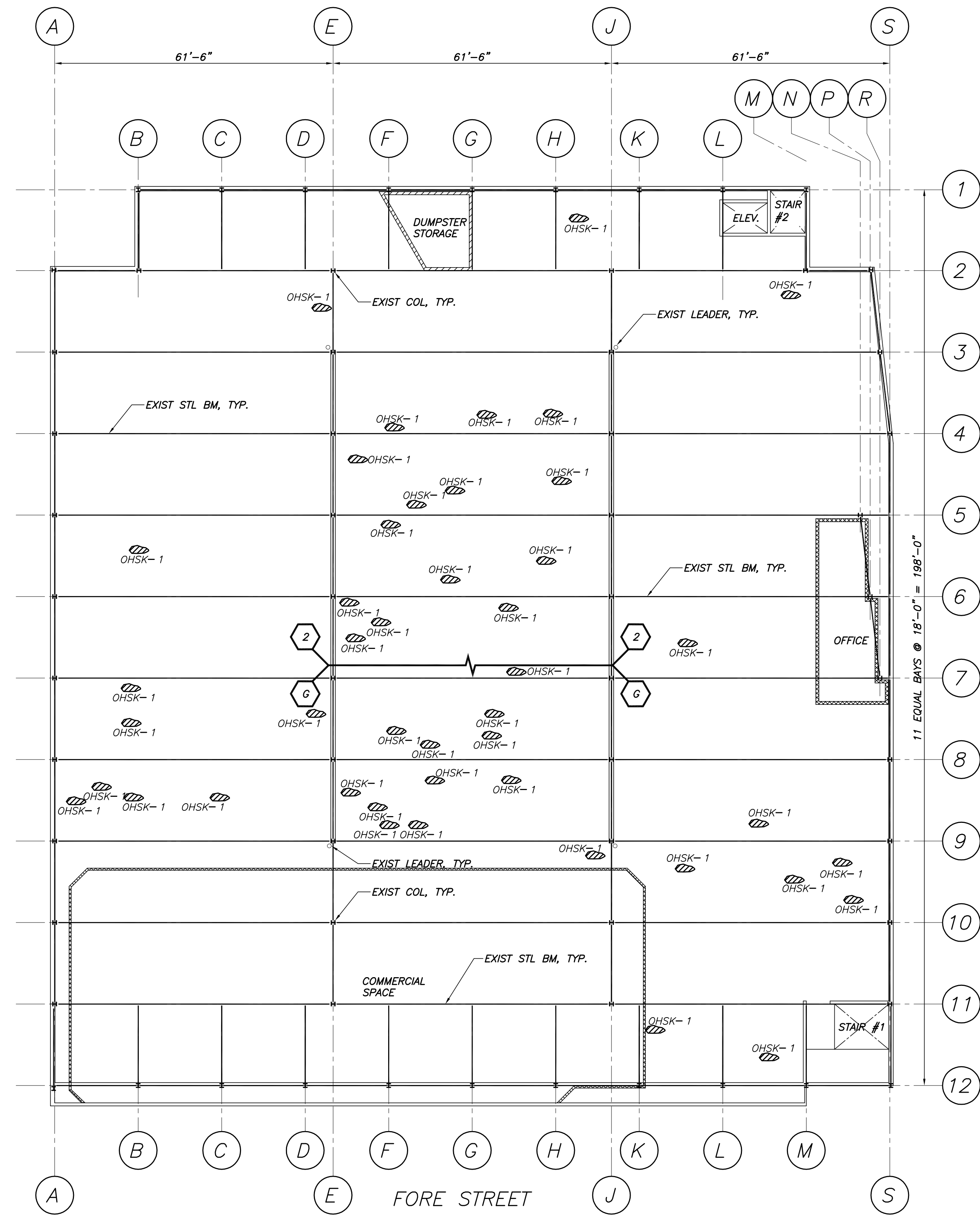
CONCRETE DECK WORK CODES

PG13-20 QUANTITY WORK CODE INDICATOR IDENTIFYING SYMBOL

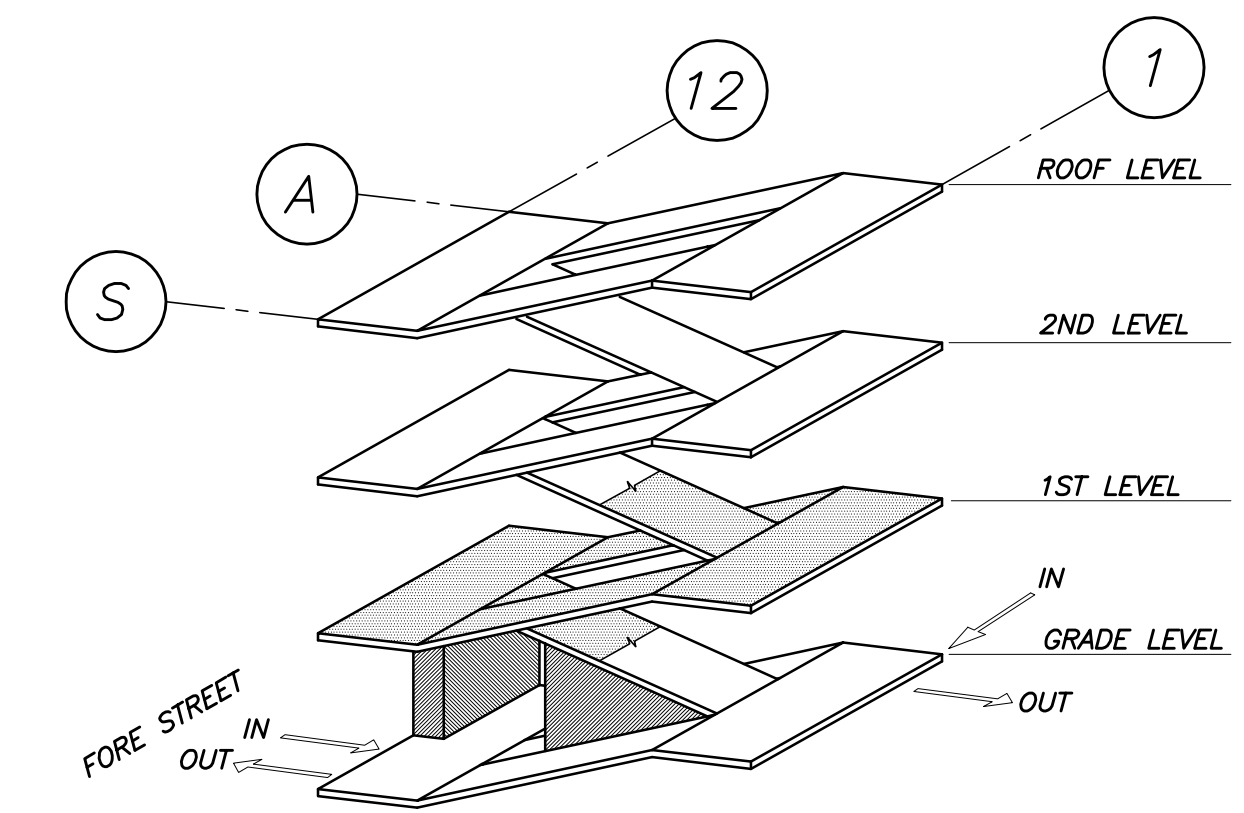
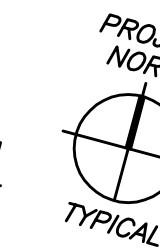
SCOPE OF WORK - PHASE 10		
1	CONCRETE DECK REPAIRS	150 SF
2	CRACK CHASE (NOT SHOWN ON PLAN)	150 LF
3	OVERHEAD SPALL KNOCKDOWN, CLEAN & PRIME	45 EA
4	OVERHEAD SPALL REPAIR	0 SF
5	SUPPLEMENTAL OVERHEAD STEEL BEAMS	0 EA

NOTE:
QUANTITIES SHOWN IN SCHEDULE ABOVE MAY BE GREATER THAN WHAT ARE SHOWN ON THE PLAN.

NOTE:
1. REF DWG S3.1 FOR TYPICAL REPAIR DETAILS.



1ST SUPPORTED LEVEL REFLECTED CEILING PLAN
1/16"=1'-0"



Approved For	ISSUED FOR PRICING
Date	10/26/16
Rev. No.	12/12/16
	ISSUED FOR PERMIT

FORE STREET PARKING FACILITY
PORTLAND, MAINE
PHASE 10
1ST SUPPORTED LEVEL

Designed	ATS	Scale	AS NOTED
Drawn	ATS	Date	10/26/16
Checked	JMM	Becker Job Number	3904

S1.2