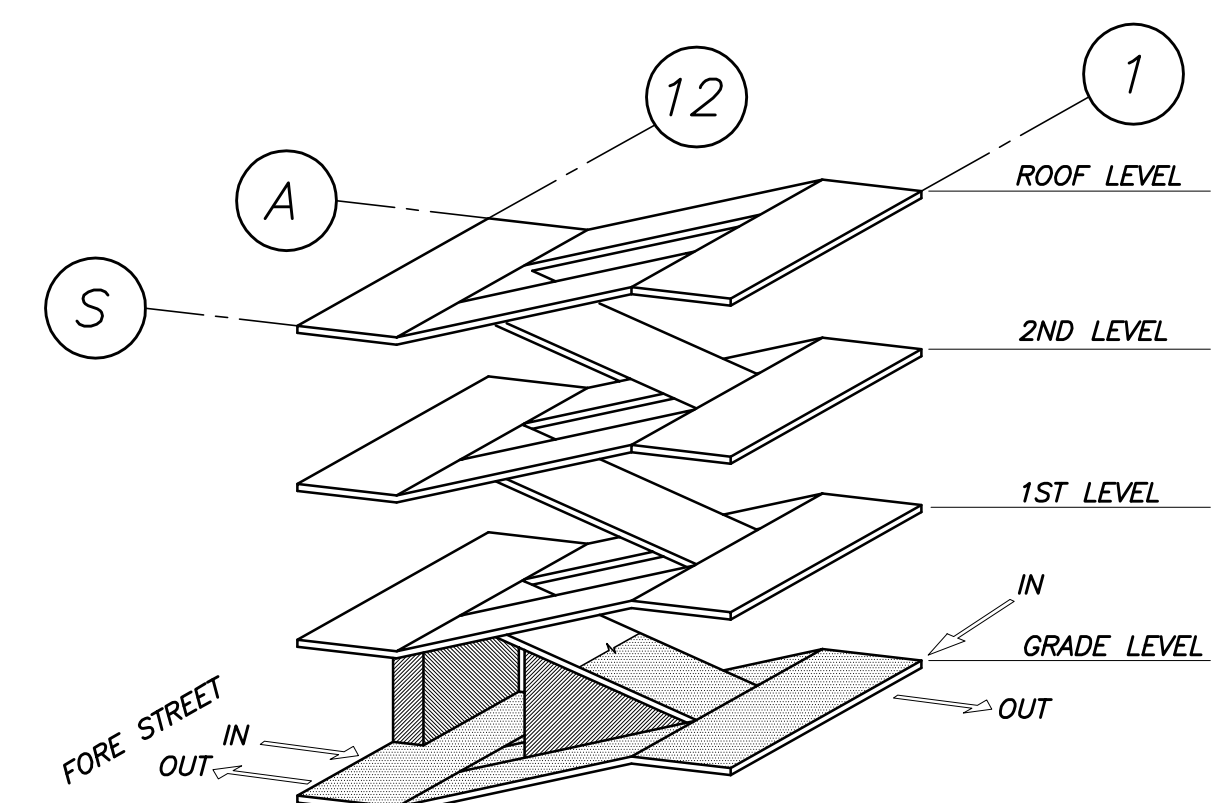


SCOPE OF WORK - PHASE 10

1	FOUNDATION WALL REPAIR	1	LS
---	------------------------	---	----

GRADE LEVEL PLAN  
1/16"=1'-0"



ISOMETRIC KEY

THIS DRAWING IS AN INSTRUMENT OF SERVICE AND SHALL REMAIN THE PROPERTY OF BECKER STRUCTURAL ENGINEERS INC. IT SHALL NOT BE REPRODUCED, COPIED, LENT OR DISPOSED OF DIRECTLY OR INDIRECTLY NOR USED FOR ANY PURPOSE OTHER THAN FOR WHICH IT IS SPECIFICALLY FURNISHED AND MUST BE RETURNED TO BECKER STRUCTURAL ENGINEERS INC. ON COMPLETION OF WORK, IF REQUESTED.



Approved	
Issued For	ISSUED FOR PRICING
Date	10/26/16
Rev. No	12/12/16
	ISSUED FOR PERMIT

FORE STREET PARKING FACILITY  
PORTLAND, MAINE  
PHASE 10  
GRADE LEVEL

Designed	Scale
ATS	AS NOTED
Drawn	Date
ATS	10/26/16
Checked	Becker Job Number
JMM	3904

S1.1