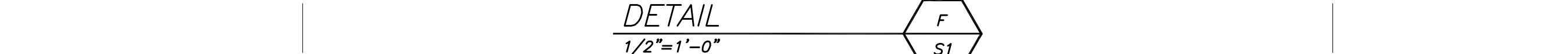
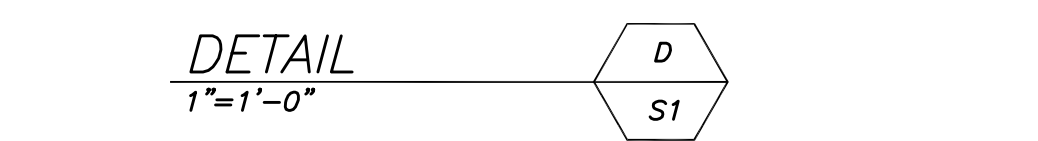
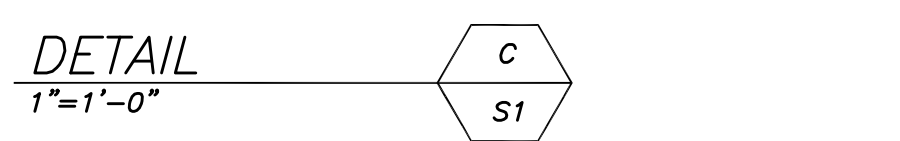
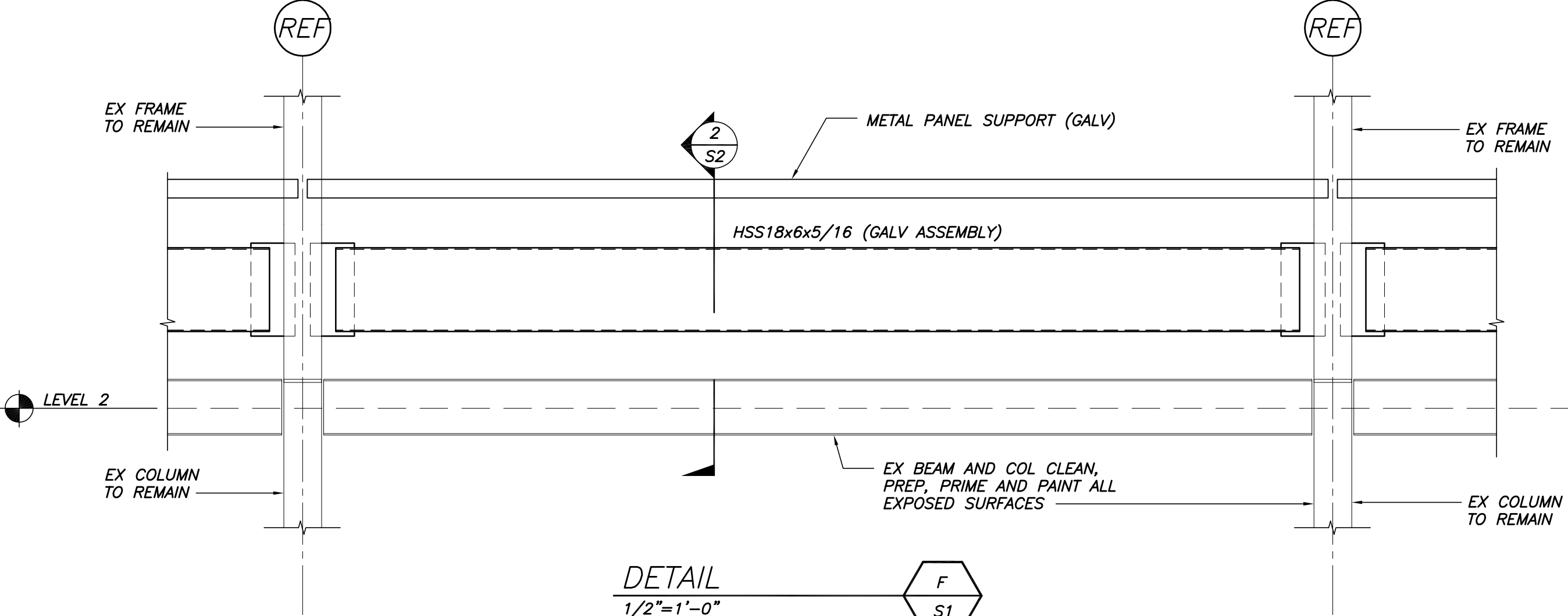
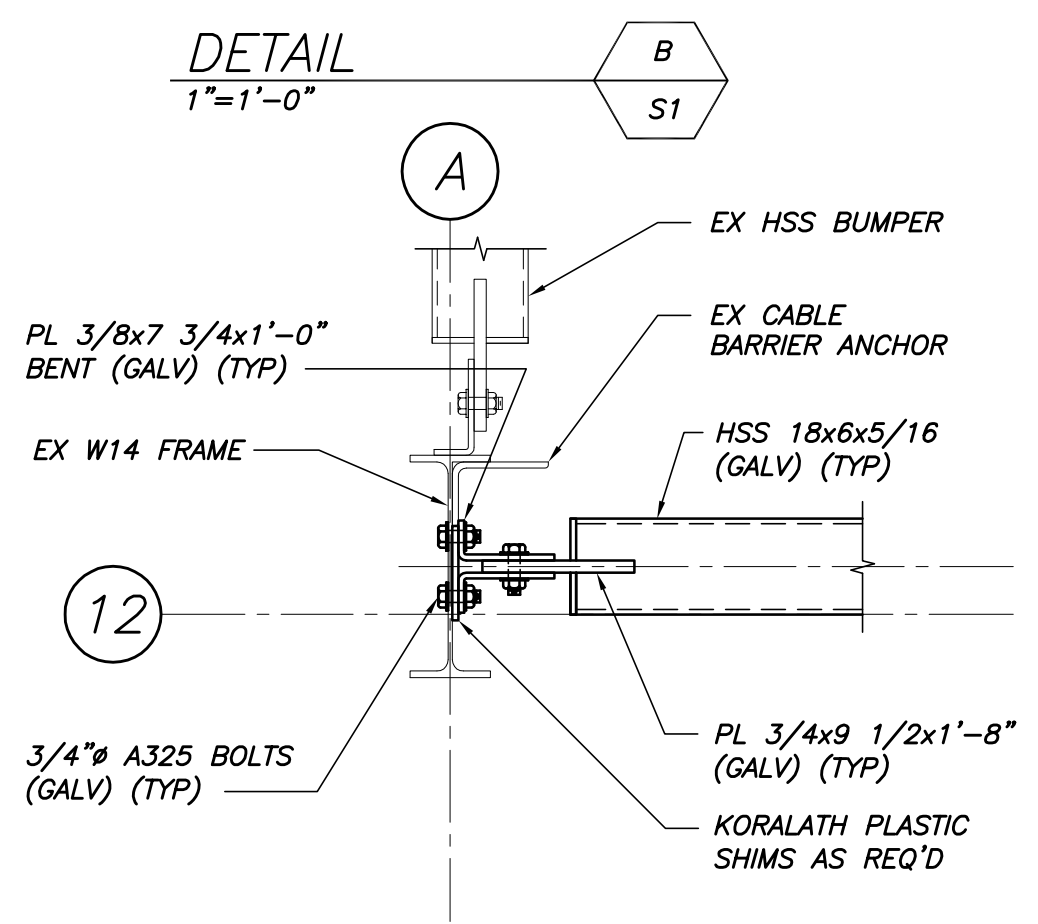
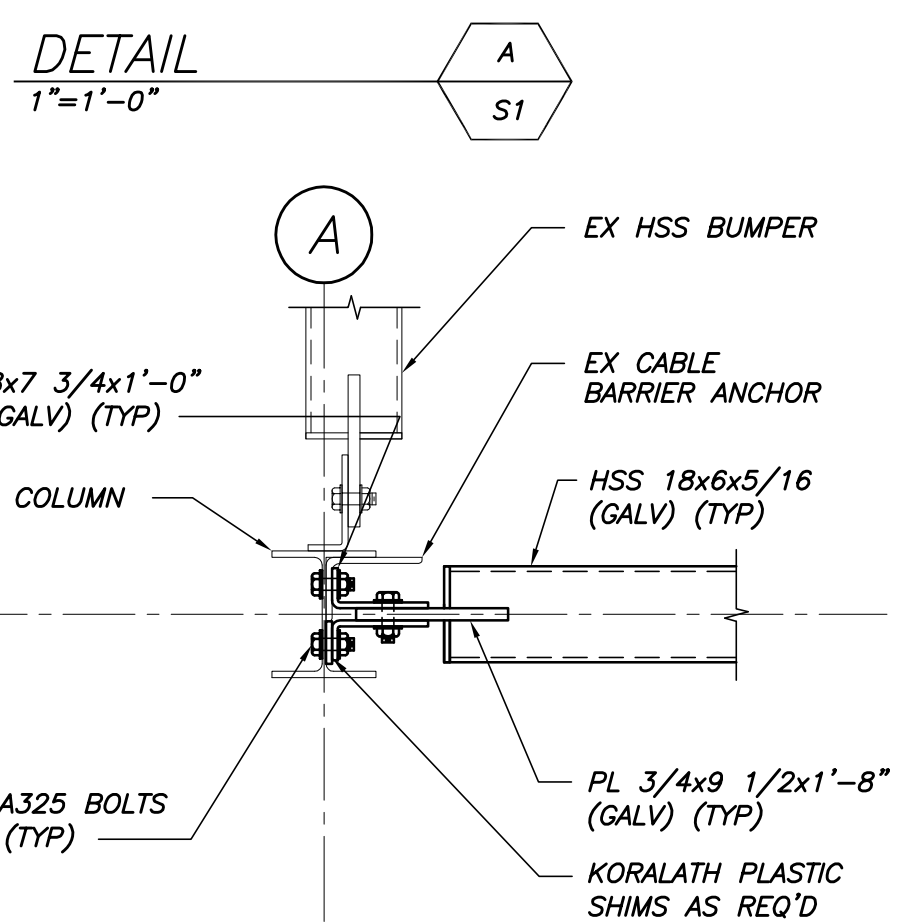
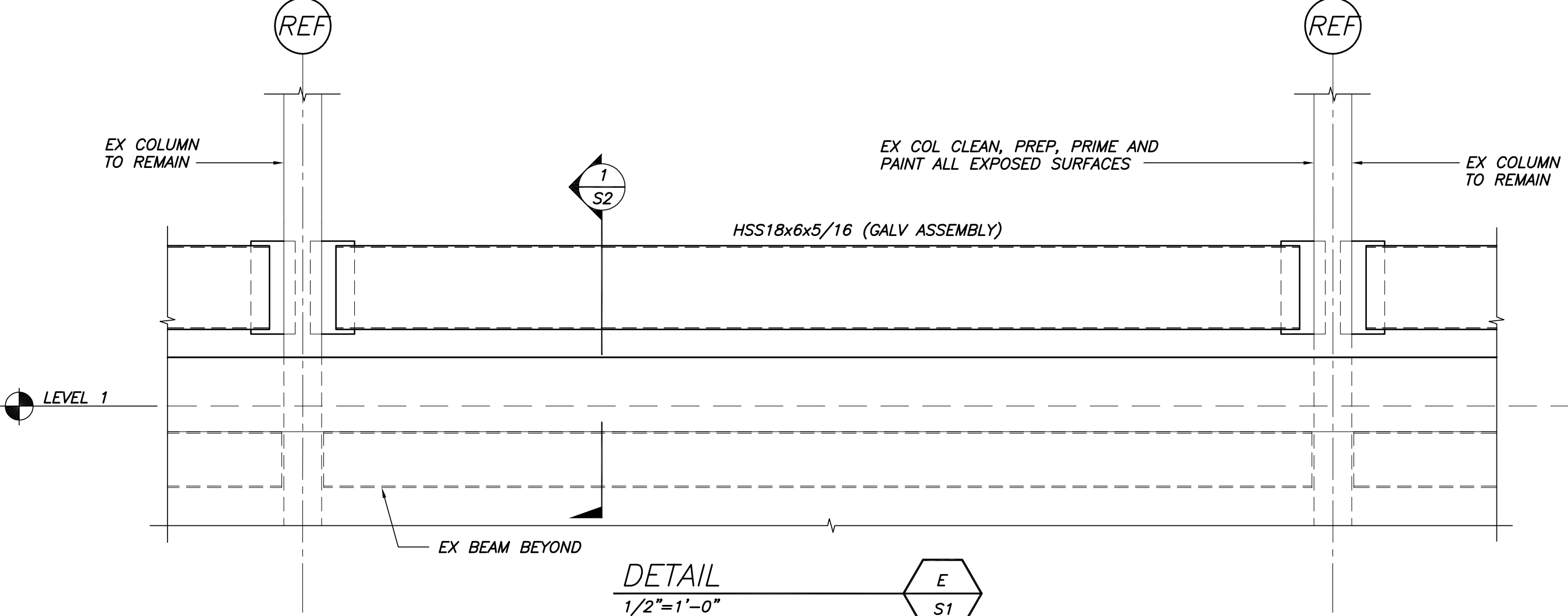
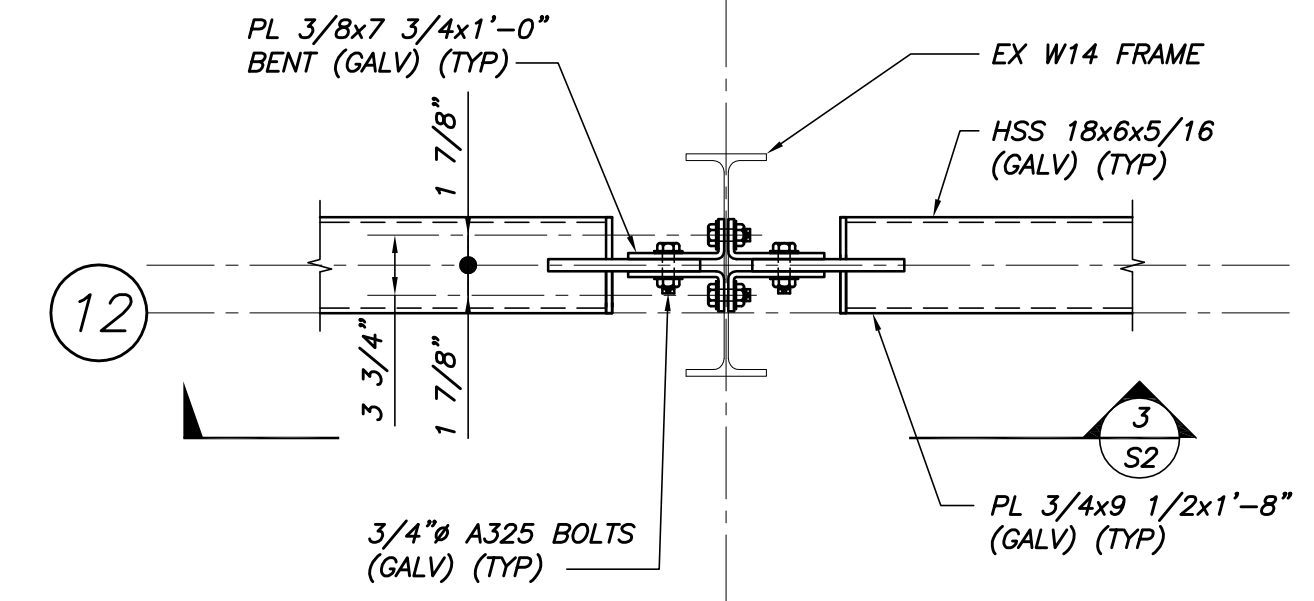
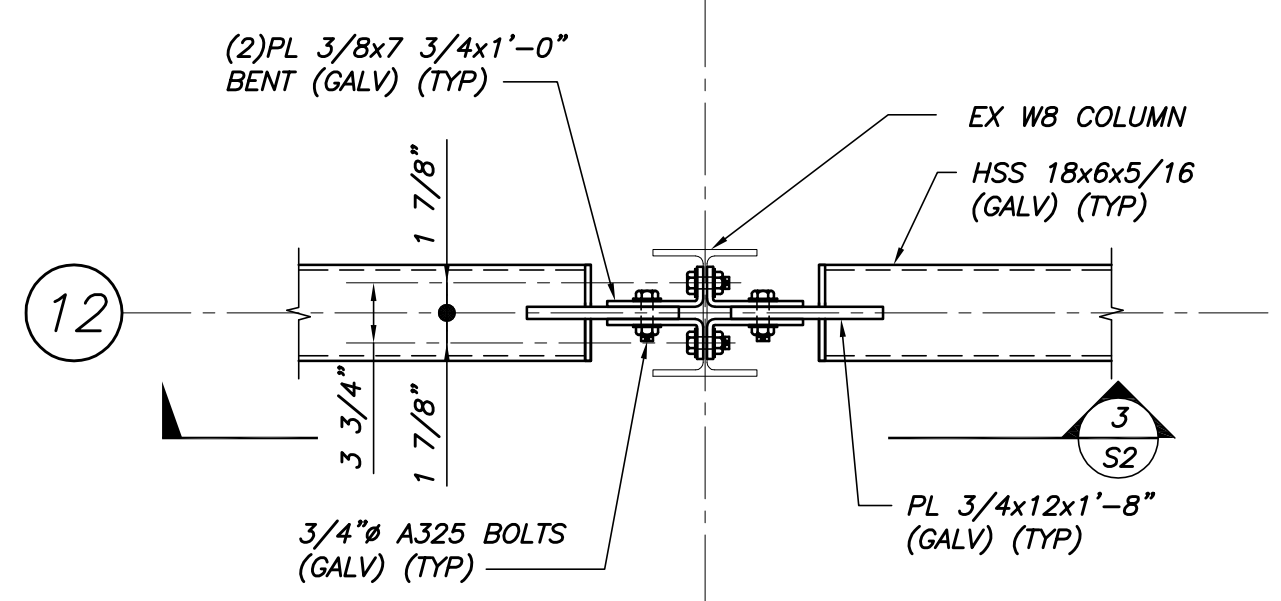
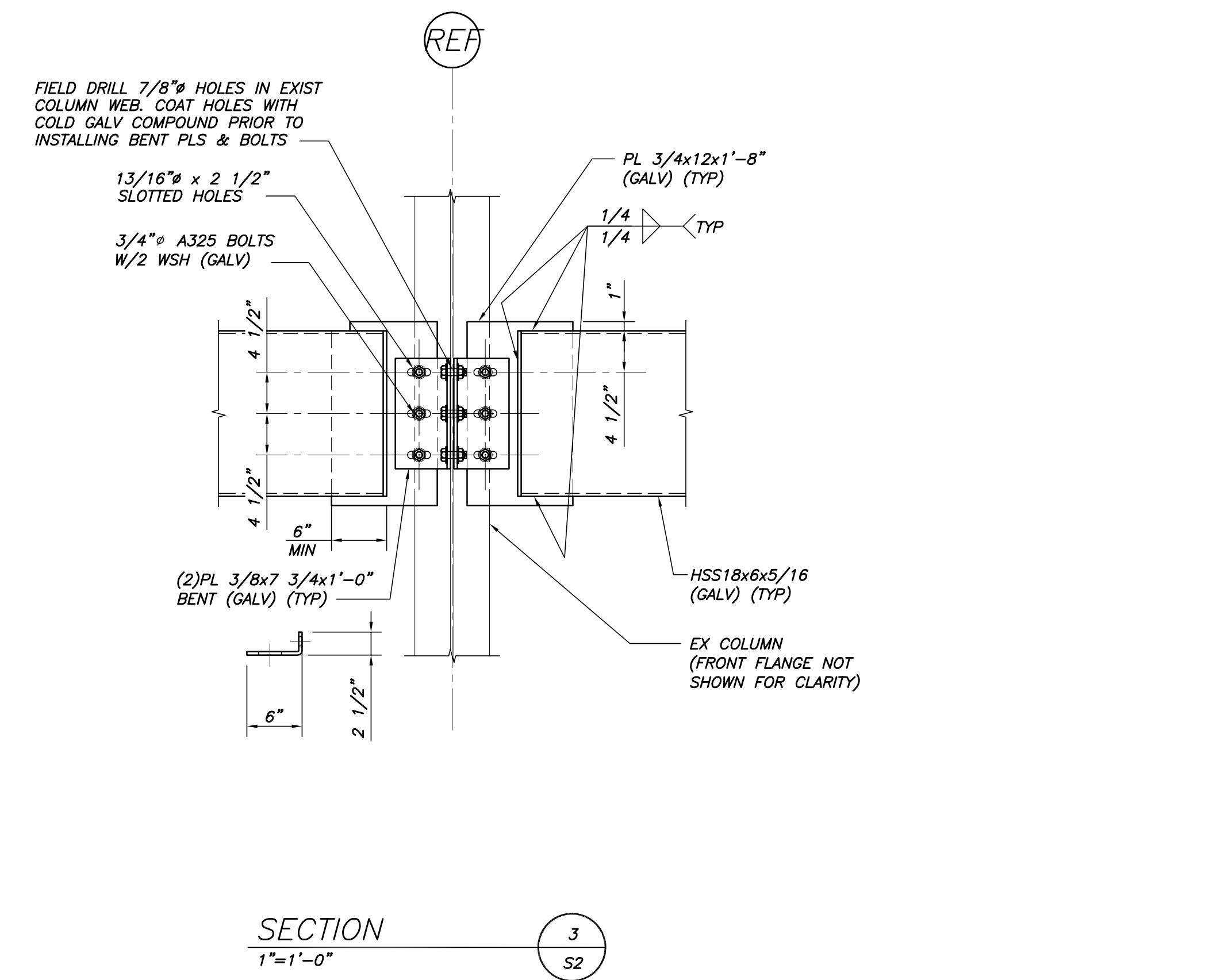
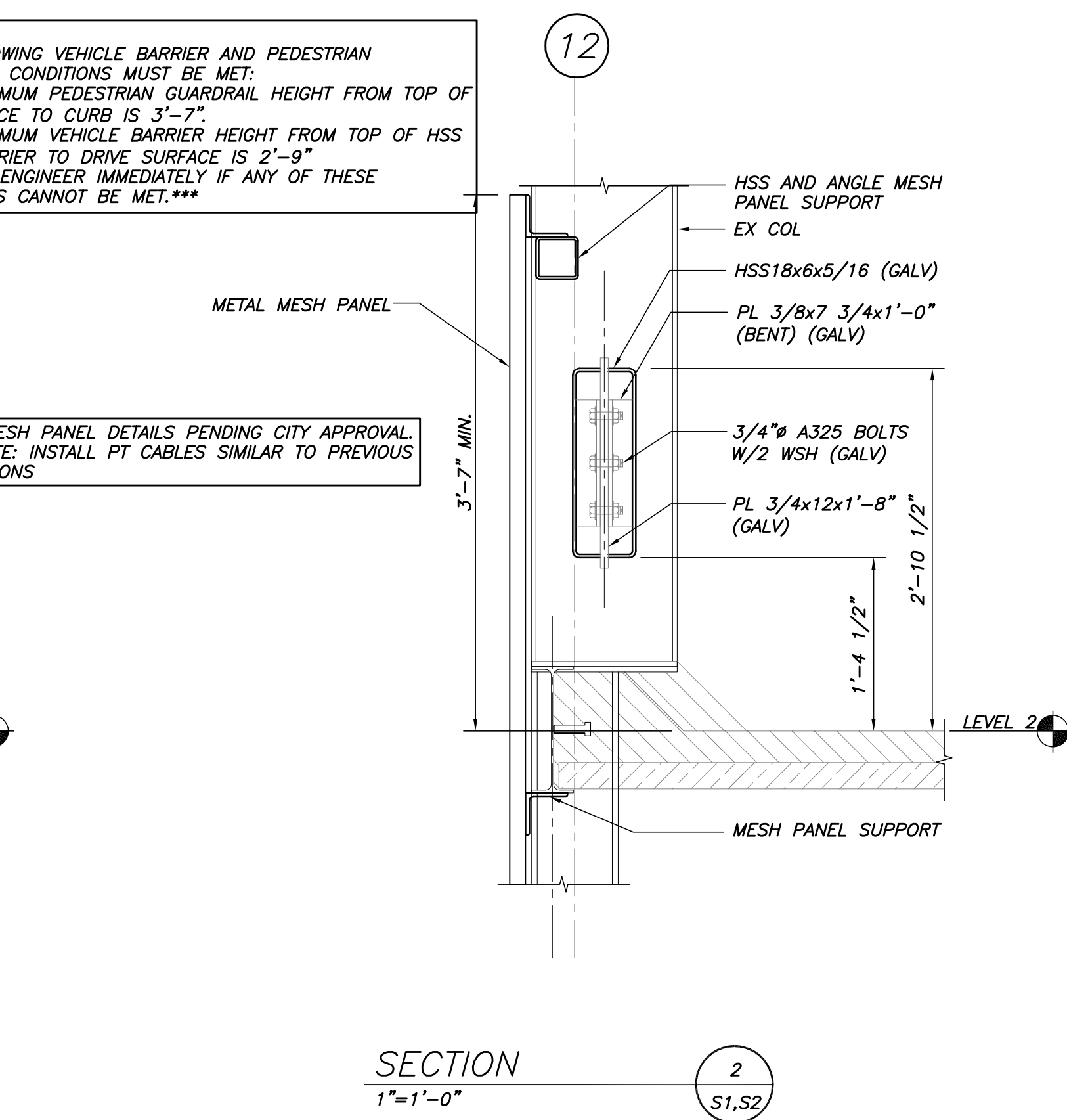
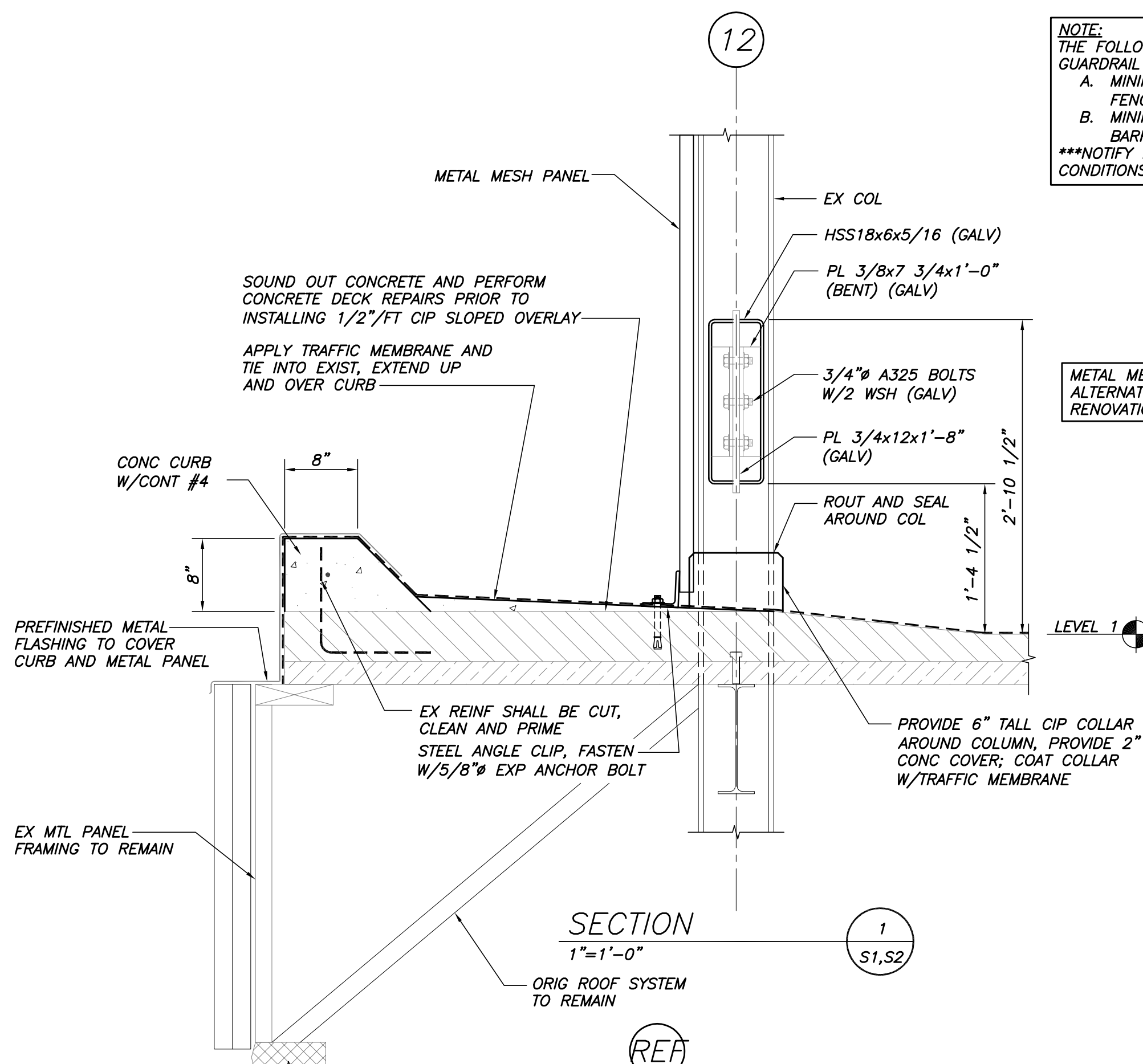


NOTE:  
THE FOLLOWING VEHICLE BARRIER AND PEDESTRIAN GUARDRAIL CONDITIONS MUST BE MET:  
A. MINIMUM PEDESTRIAN GUARDRAIL HEIGHT FROM TOP OF FENCE TO CURB IS 3'-7".  
B. MINIMUM VEHICLE BARRIER HEIGHT FROM TOP OF HSS BARRIER TO DRIVE SURFACE IS 2'-9".  
\*\*\*NOTIFY ENGINEER IMMEDIATELY IF ANY OF THESE CONDITIONS CANNOT BE MET.\*\*\*

METAL MESH PANEL DETAILS PENDING CITY APPROVAL.  
ALTERNATE: INSTALL PT CABLES SIMILAR TO PREVIOUS RENOVATIONS



THIS DRAWING IS AN INSTRUMENT OF SERVICE AND SHALL REMAIN THE PROPERTY OF BECKER STRUCTURAL ENGINEERS INC. IT SHALL NOT BE REPRODUCED, COPIED, LENT OR DISPOSED OF DIRECTLY OR INDIRECTLY, NOR USED FOR ANY PURPOSE OTHER THAN FOR WHICH IT IS SPECIFICALLY FURNISHED AND MUST BE RETURNED TO BECKER STRUCTURAL ENGINEERS INC. ON COMPLETION OF WORK, IF REQUESTED.

Approved For	FOR PERMIT
Date	2/17/16
Rev No	

FORE STREET PARKING FACILITY  
PORTLAND, MAINE  
FORE ST FACADE REPAIRS  
SECTIONS & DETAILS

Designed	JMM	Scale	AS NOTED
Drawn	RJB	Date	2/9/16
Checked	JMM	Becker Job Number	3752

S2