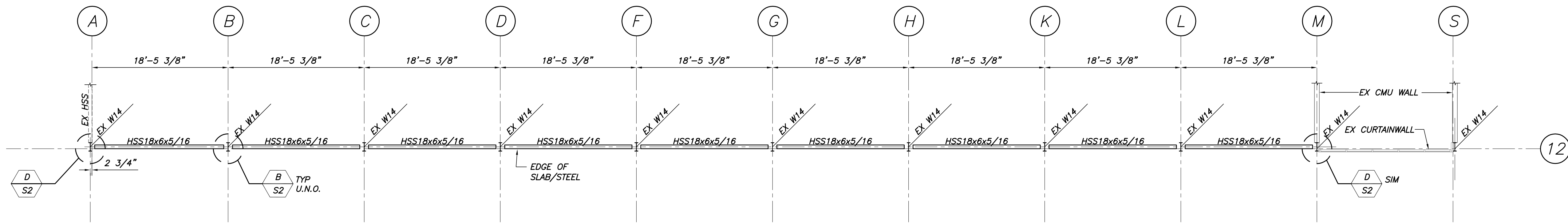
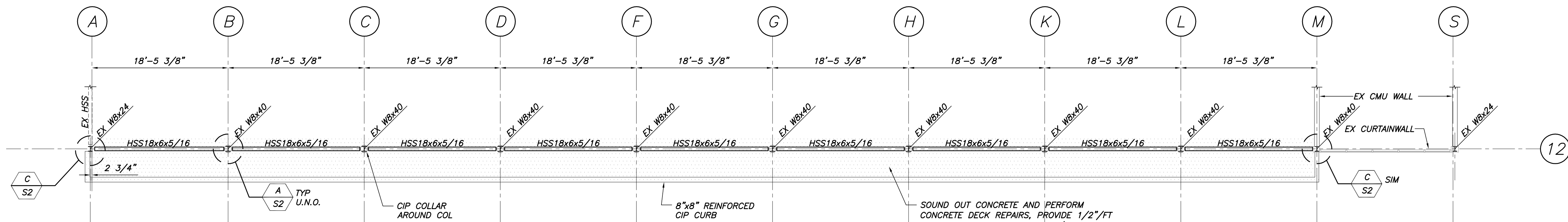


FORE STREET FRAMING ELEVATION
1/8"=1'-0"



**FORE STREET
2ND SUPPORTED LEVEL FRAMING PLAN**
1/8"=1'-0"



**FORE STREET
1ST SUPPORTED LEVEL FRAMING PLAN**
1/8"=1'-0"

THIS DRAWING IS AN INSTRUMENT OF SERVICE AND SHALL REMAIN THE PROPERTY OF BECKER STRUCTURAL ENGINEERS INC. IT SHALL NOT BE REPRODUCED, COPIED, LENT OR DISPOSED OF DIRECTLY OR INDIRECTLY, NOR USED FOR ANY PURPOSE OTHER THAN FOR WHICH IT IS SPECIFICALLY FURNISHED AND MUST BE RETURNED TO BECKER STRUCTURAL ENGINEERS INC. ON COMPLETION OF WORK, IF REQUESTED.

Approved	
Issued For	FOR PERMIT
Date	2/17/16
Rev No	

FORE STREET PARKING FACILITY
PORTLAND, MAINE
FORE ST FACADE REPAIRS
FRAMING PLANS & ELEVATION

Designed	JMM	Scale	AS NOTED
Drawn	RJB	Date	2/9/16
Checked	JMM	Becker Job Number	3752

S1