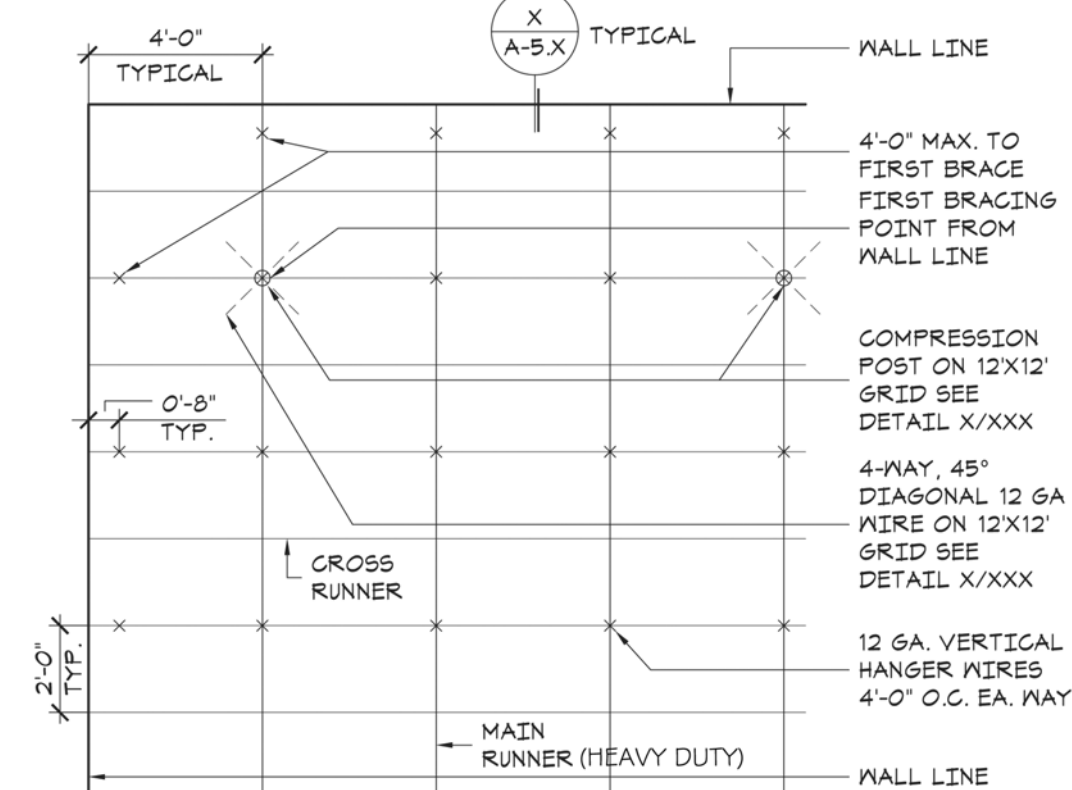


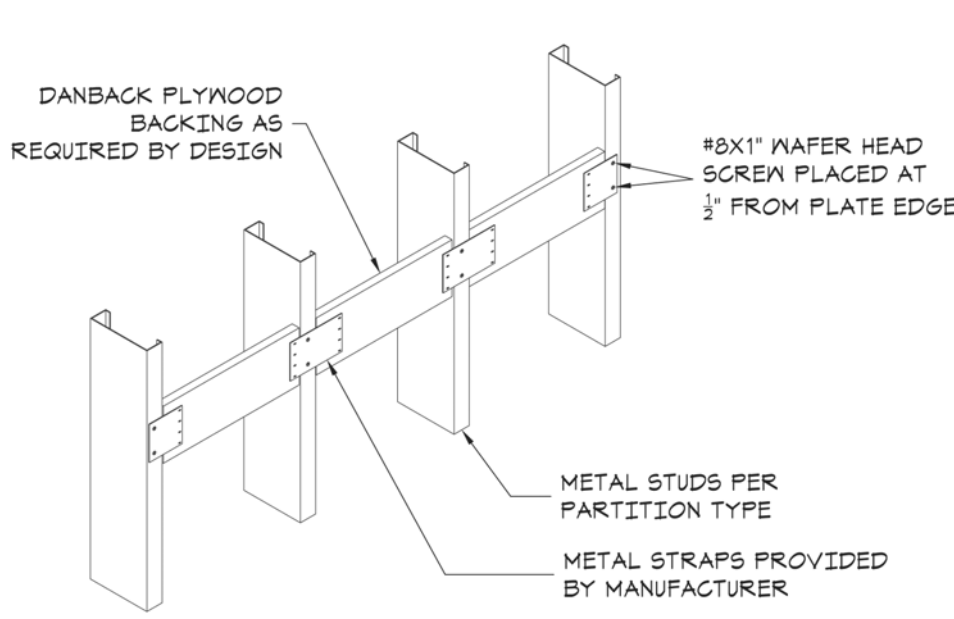
19 - BRACING WIRE ATTACHMENT

3"=1'-0"



15 - CEILING GRID FRAMING

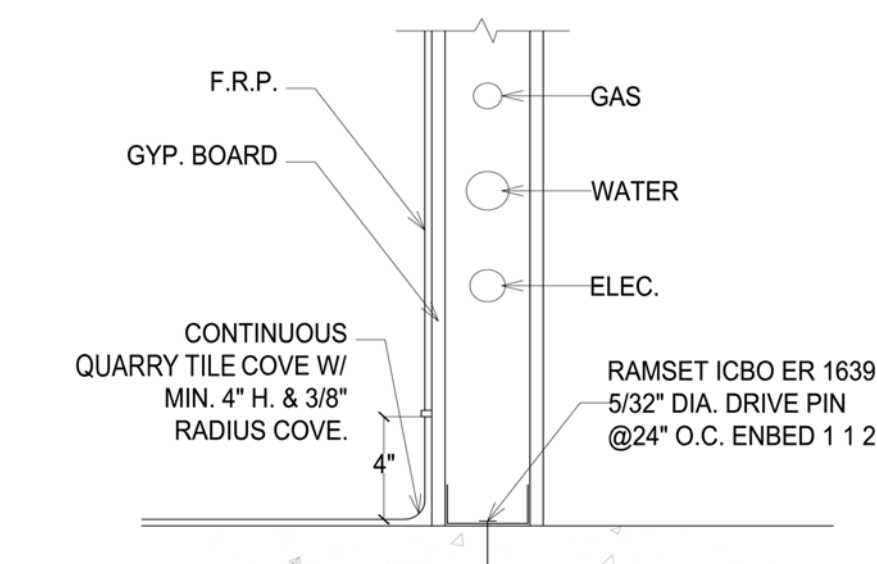
1/4"=1'-0"



12 - MANUFACTURER'S BACKING DETAIL

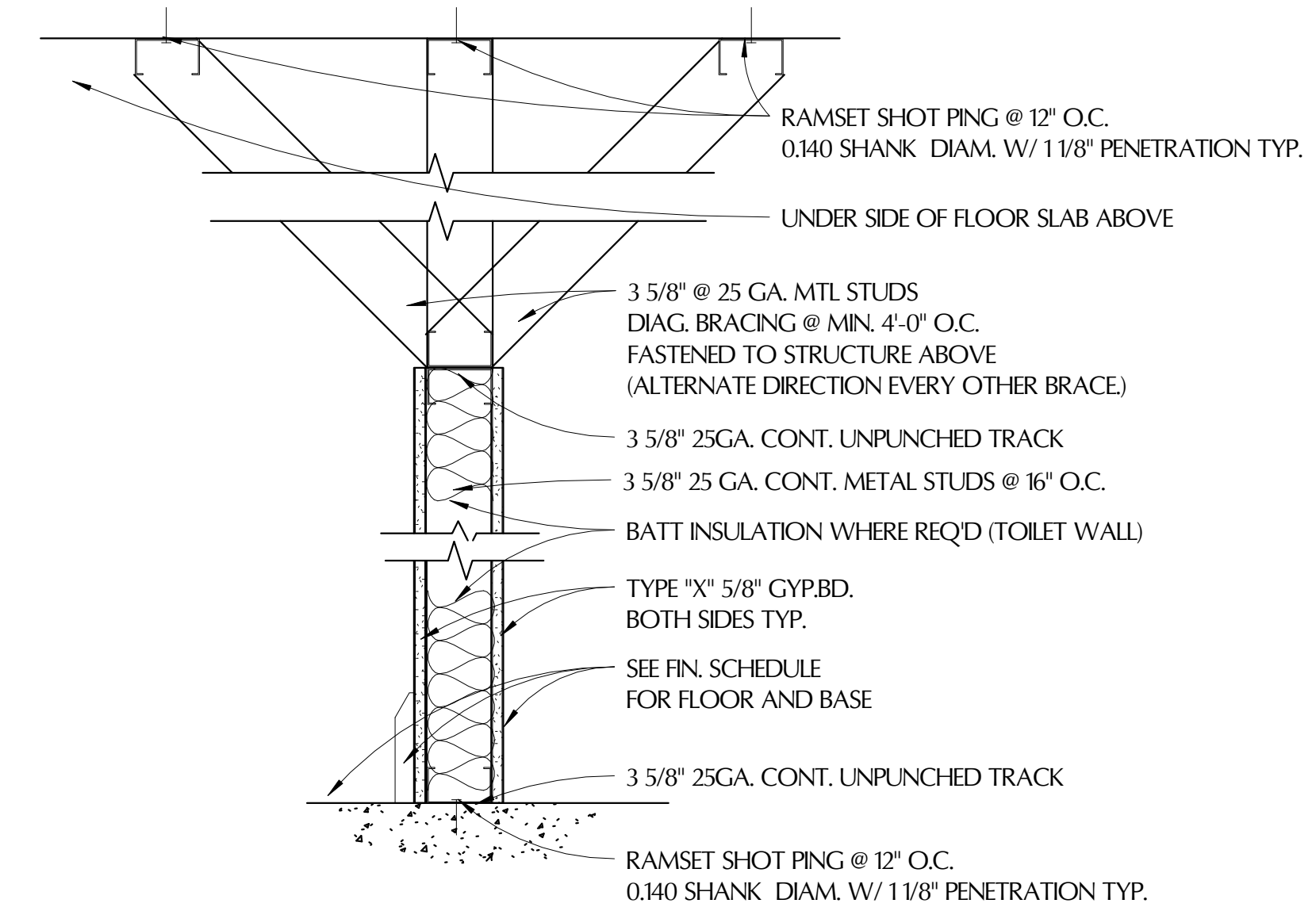
DETACHED OR EQUAL NTS

ALL WALLS ARE PARTITION WALLS (NOT STRUCTURE)



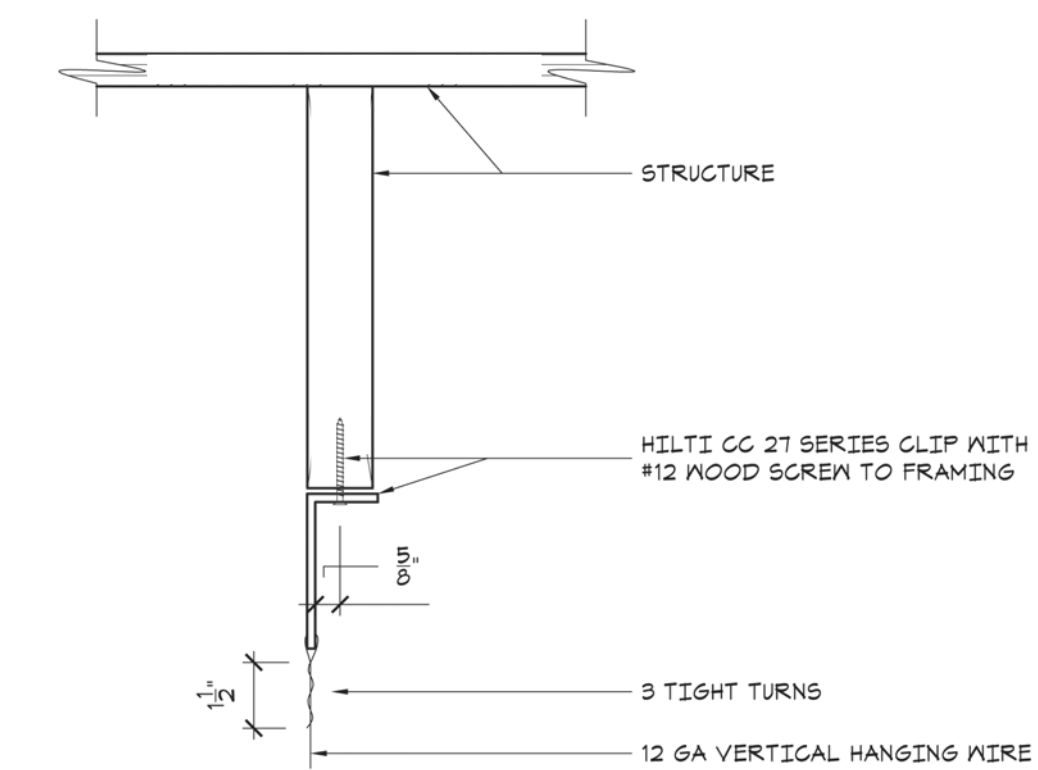
20 - SECTION OF TYP. WALL DETAIL

NTS



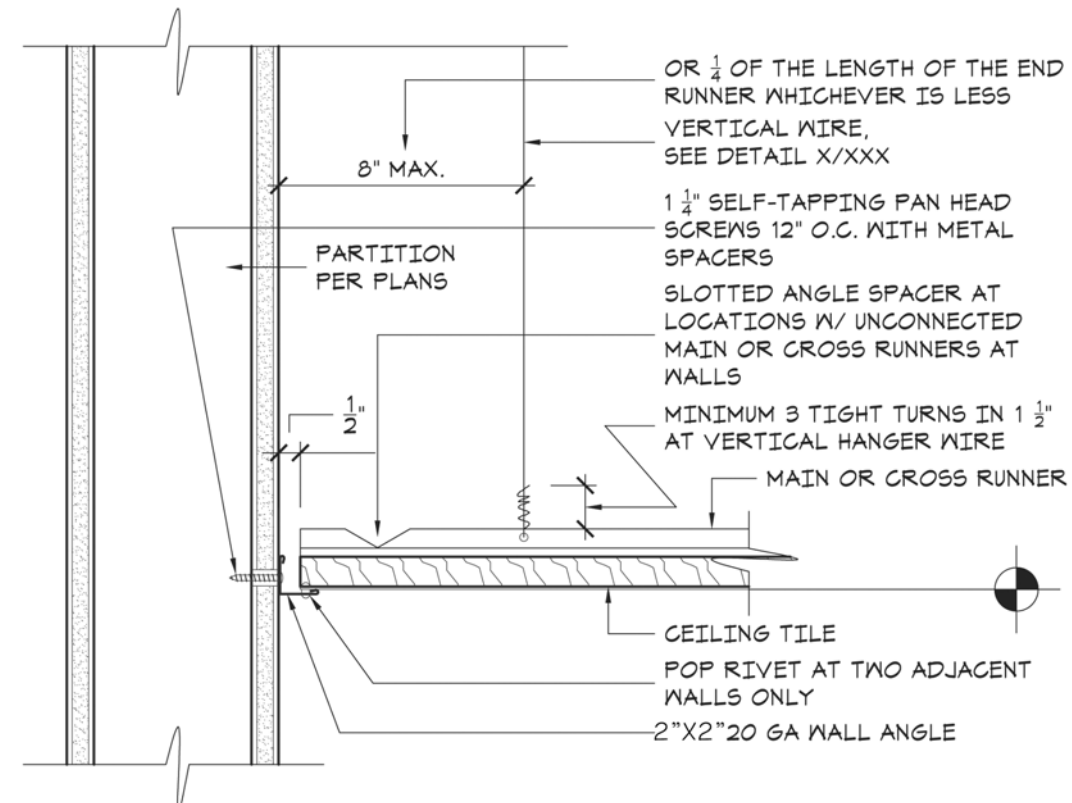
1 TYPICAL GYP. BD. PARTITION DETAIL

1 1/2" = 1'-0"



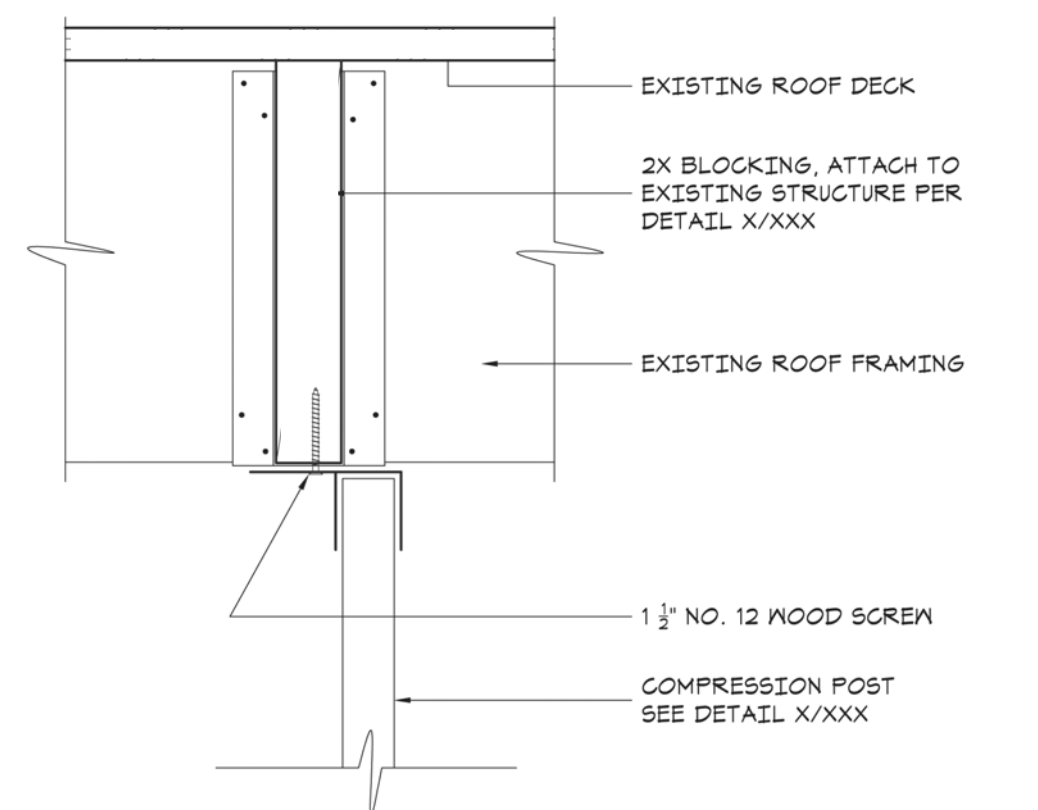
18 - VERTICAL HANGING WIRE ATTACHMENT

3"=1'-0"



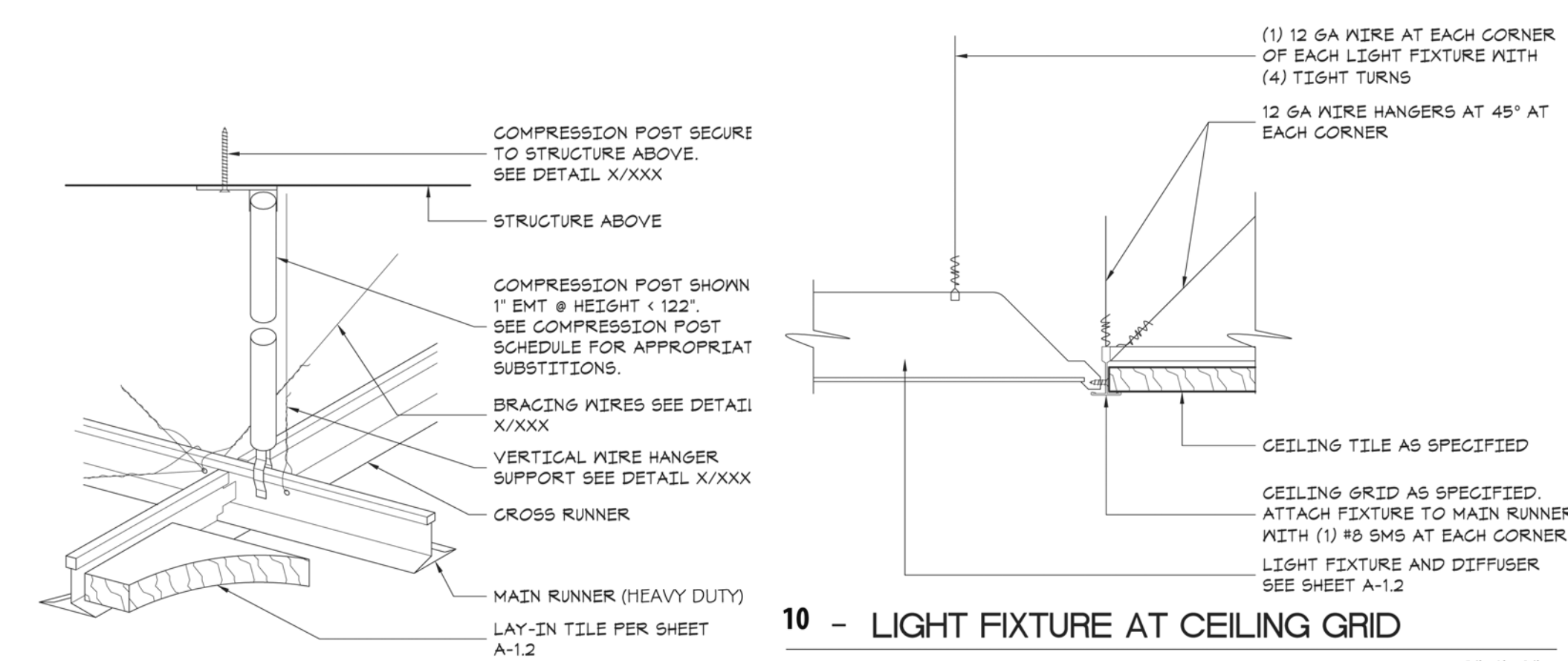
14 - CEILING AT WALL

3"=1'-0"



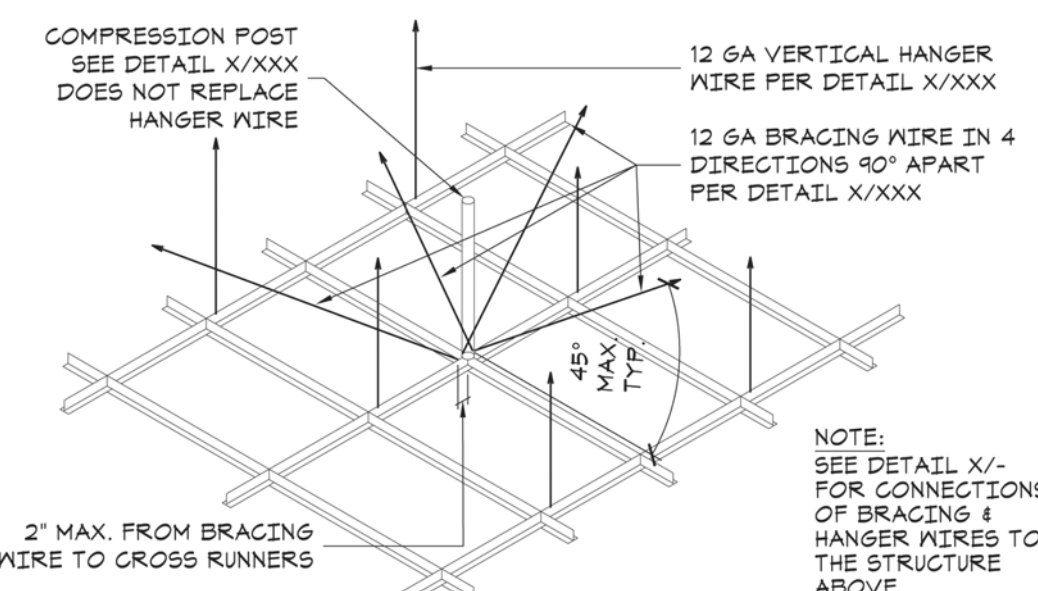
17 - COMPRESSION POST ATTACHMENT

3"=1'-0"



10 - LIGHT FIXTURE AT CEILING GRID

3"=1'-0"



16 - DIAGRAMATIC ATTACHMENT

NTS

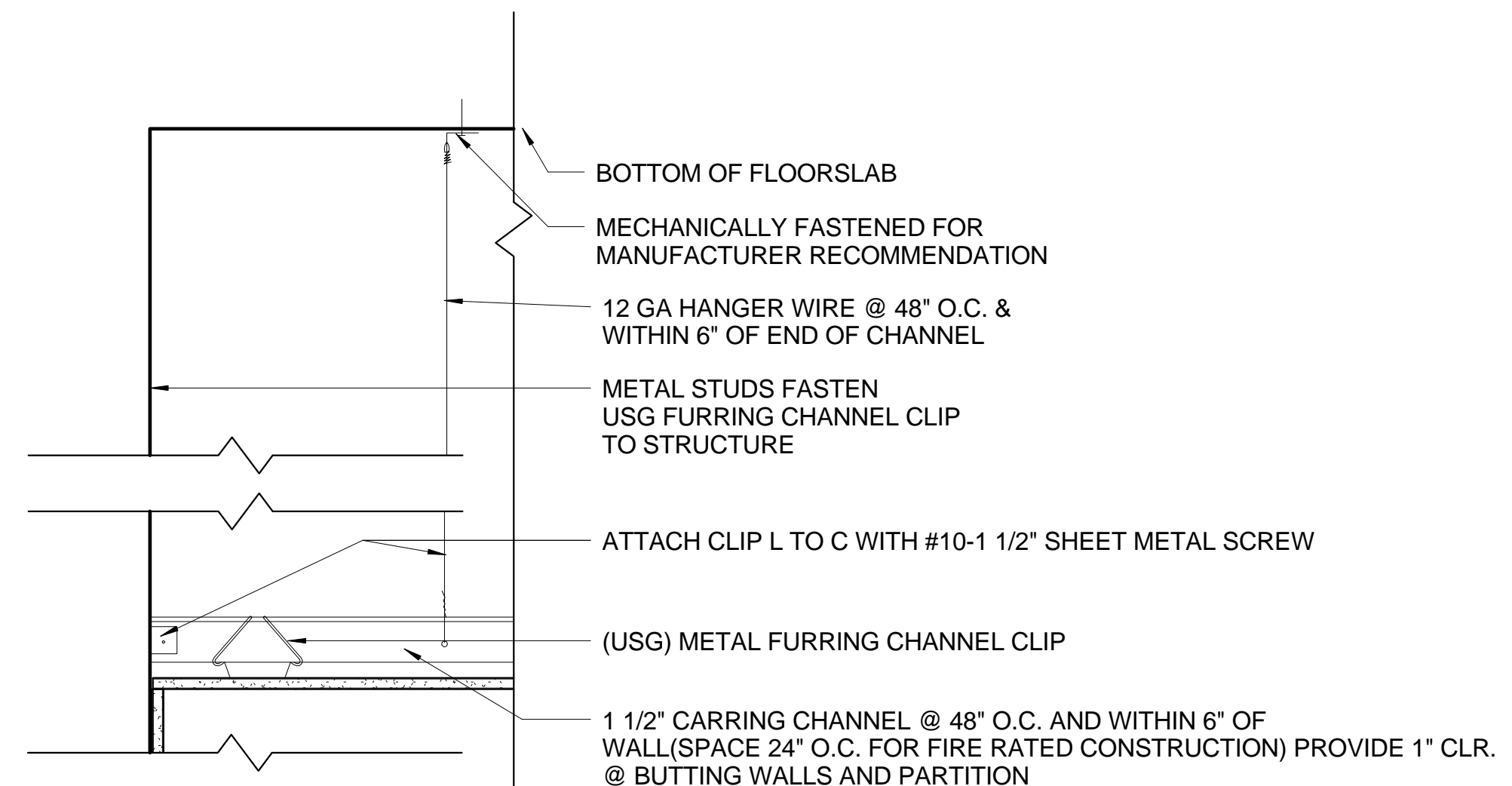
COMPRESSION STRUT SCHEDULE:

SINGLE MEMBER	MAXIMUM HEIGHT	COMMENT
1" EMT PIPE	122"	1" EMT PIPE: 1.189" O.D., .051" WALL THICKNESS, #1.63201, L/R RATIO @ 1200 MAX: 200/1.63201 = 122.54"
25 GA X 2-1/2"	84"	
25 GA X 3-1/2"	81"	
20 GA X 1-5/8"	121"	
20 GA X 2-1/2"	121"	
20 GA X 3-1/2"	91"	

DOUBLE MEMBER	MAXIMUM HEIGHT	COMMENT
25 GA X 2-1/2"	202"	
25 GA X 3-1/2"	212"	
20 GA X 1-5/8"	138"	
20 GA X 2-1/2"	207"	
20 GA X 2-1/2"	213"	
20 GA X 6"	324"	

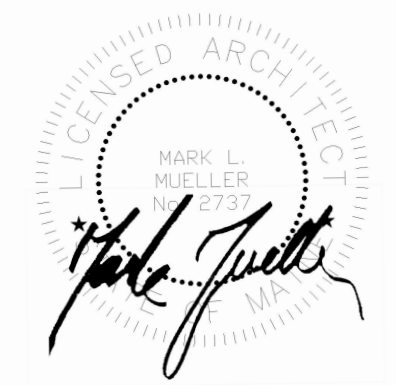
13 - INSTALLATION AT COMPRESSION STRUT

NTS



3 BYP. BD. CEIL. / SUSPENDED GYP. BD. CEIL.

1 1/2" = 1'-0"



**Tenant Improvement
Old Port Lobster Shack**
425 FORE STREET
PORTLAND ME

PROJECT NUMBER 150101
DRAWN Author
CHECKED Checker
DATE
SCALE

FRAMING / T-BAR CEILING / FLOOR PENETRATION DETAILS

A-6.1