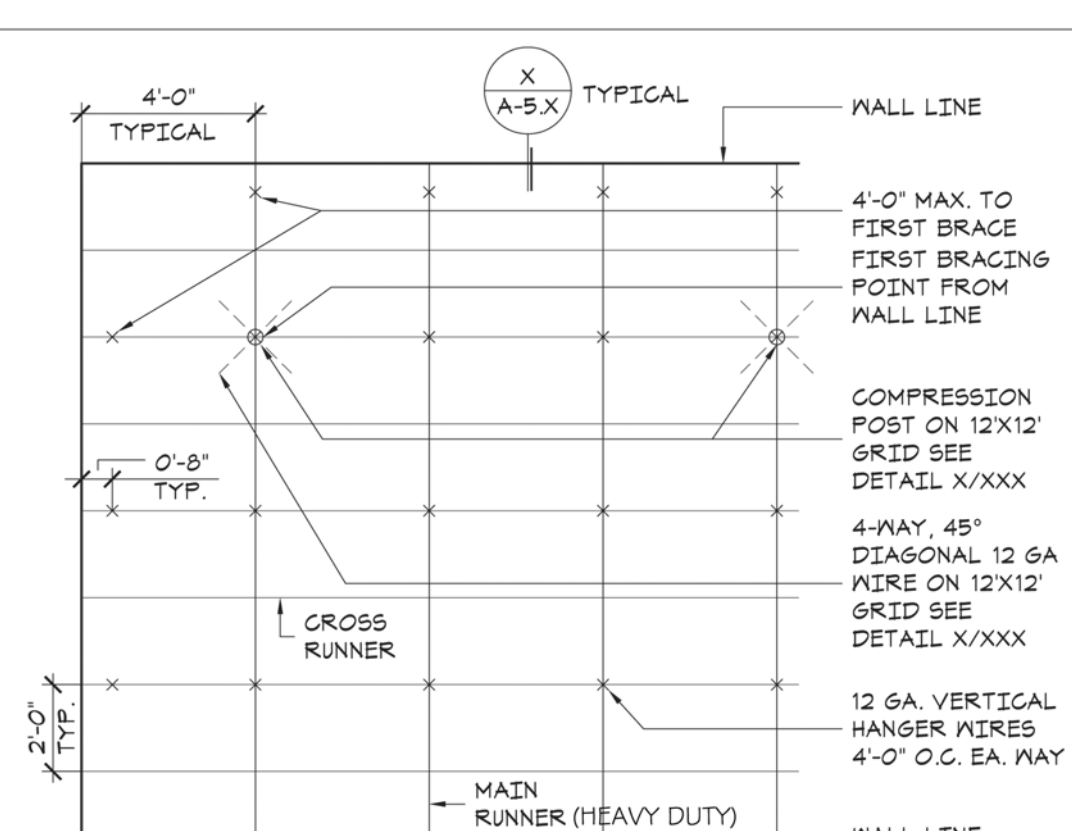


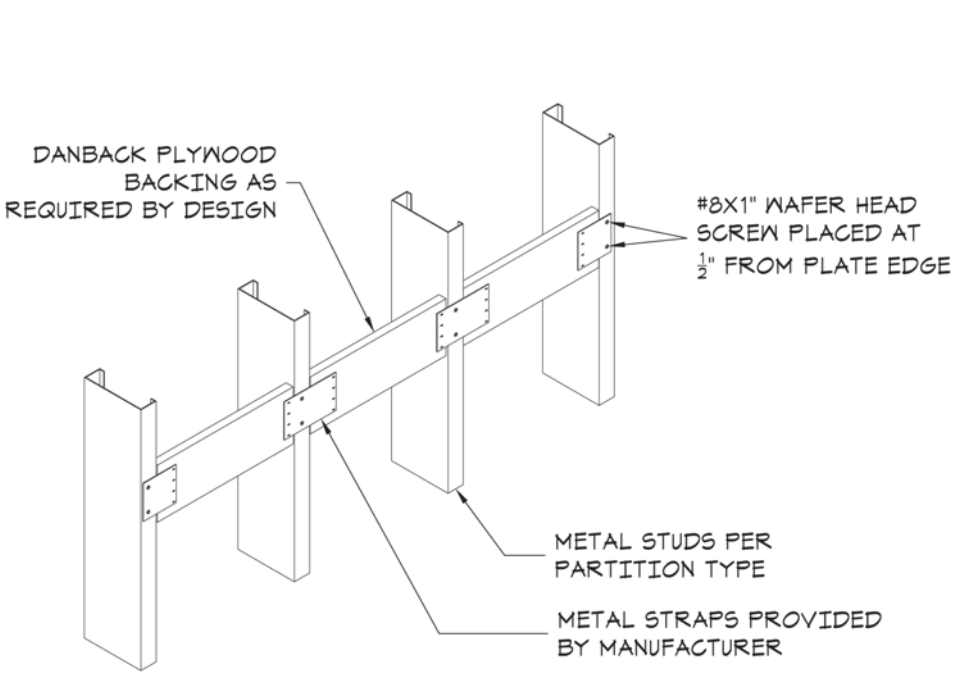
19 - BRACING WIRE ATTACHMENT

3"=1'-0"



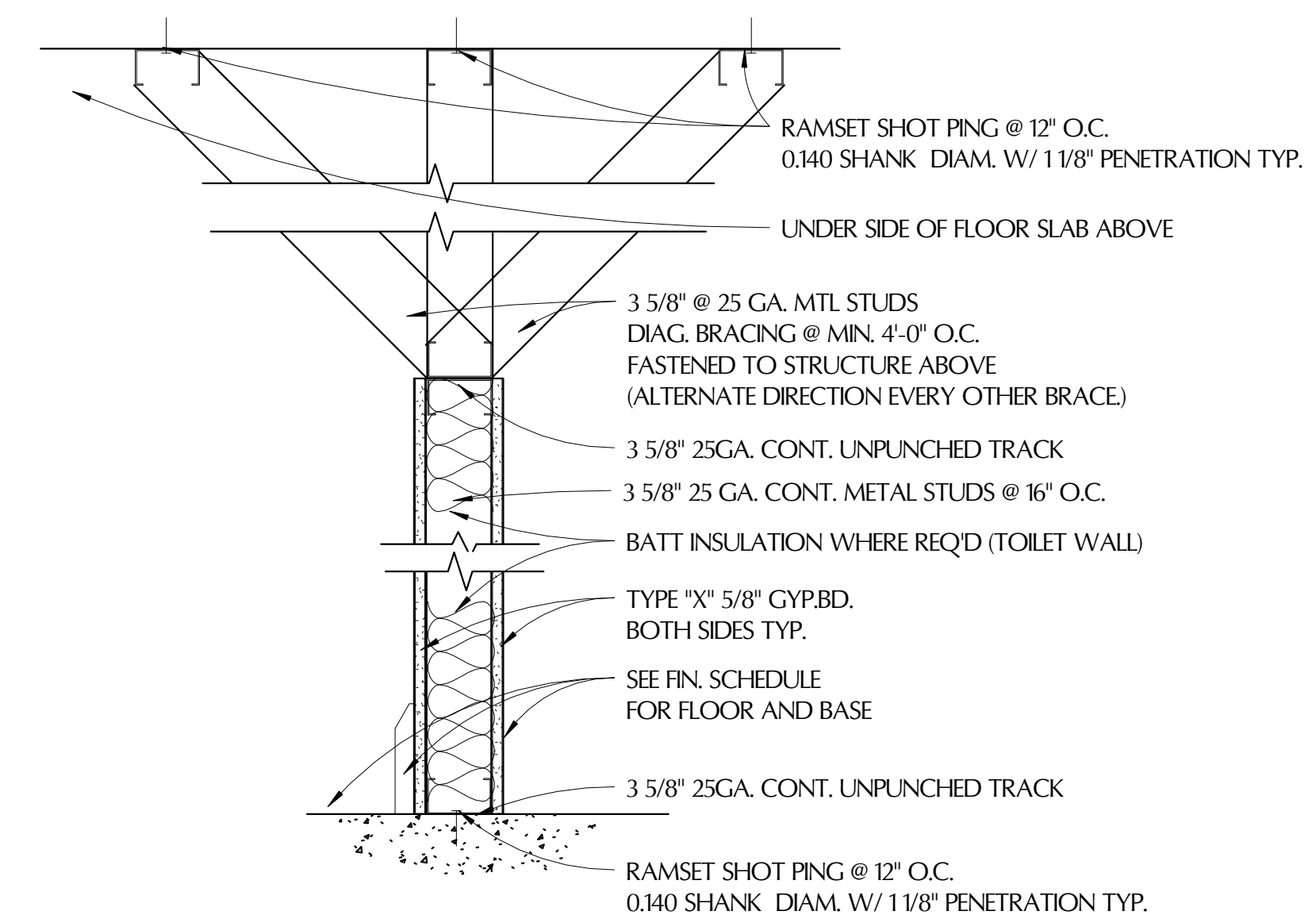
15 - CEILING GRID FRAMING

1/4"=1'-0"



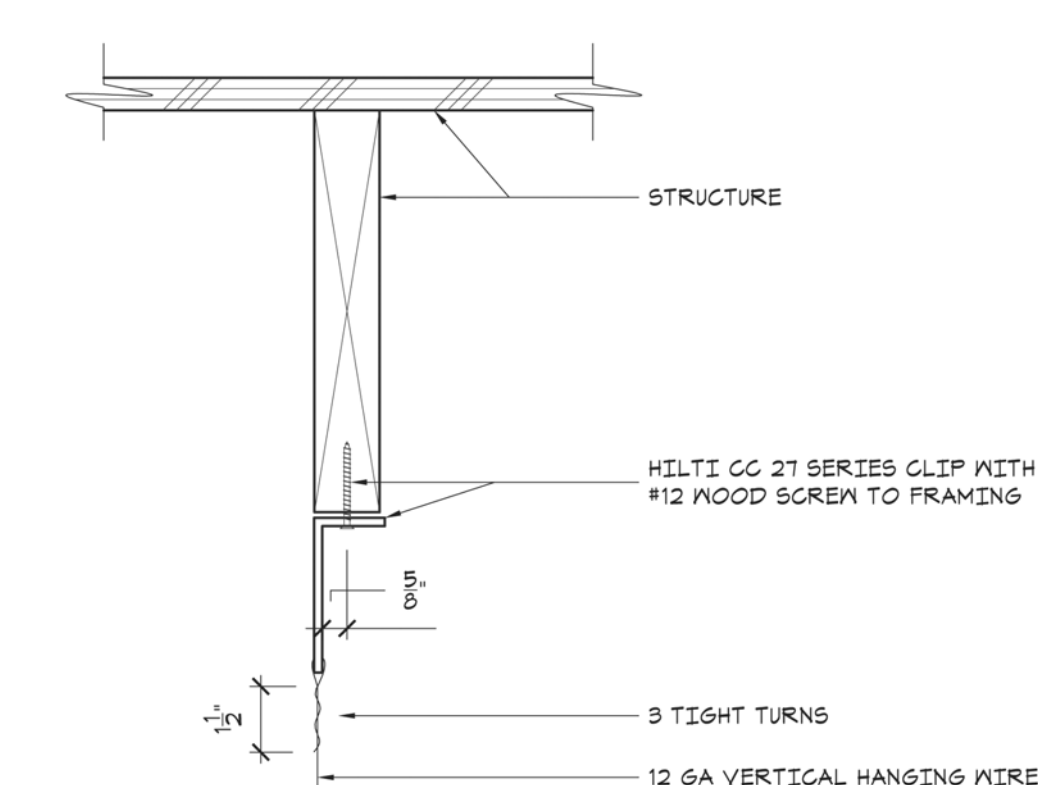
12 - MANUFACTURER'S BACKING DETAIL

DETACHED OR EQUAL NTS



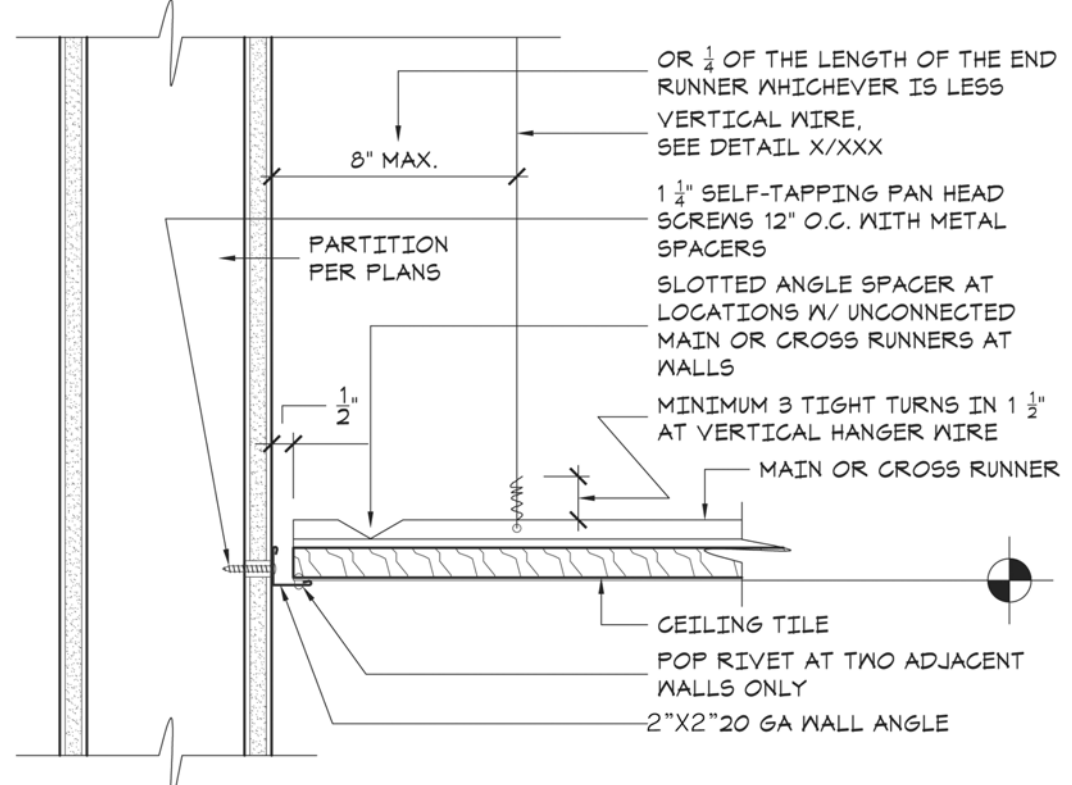
1 TYPICAL GYP. BD. PARTITION DETAIL

1 1/2" = 1'-0"



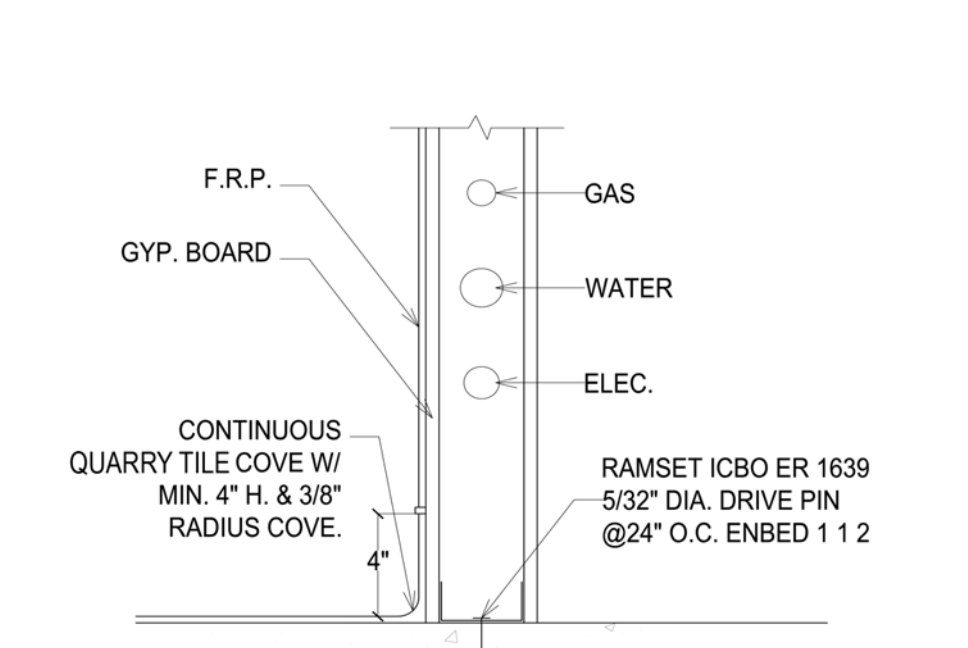
18 - VERTICAL HANGING WIRE ATTACHMENT

3"=1'-0"



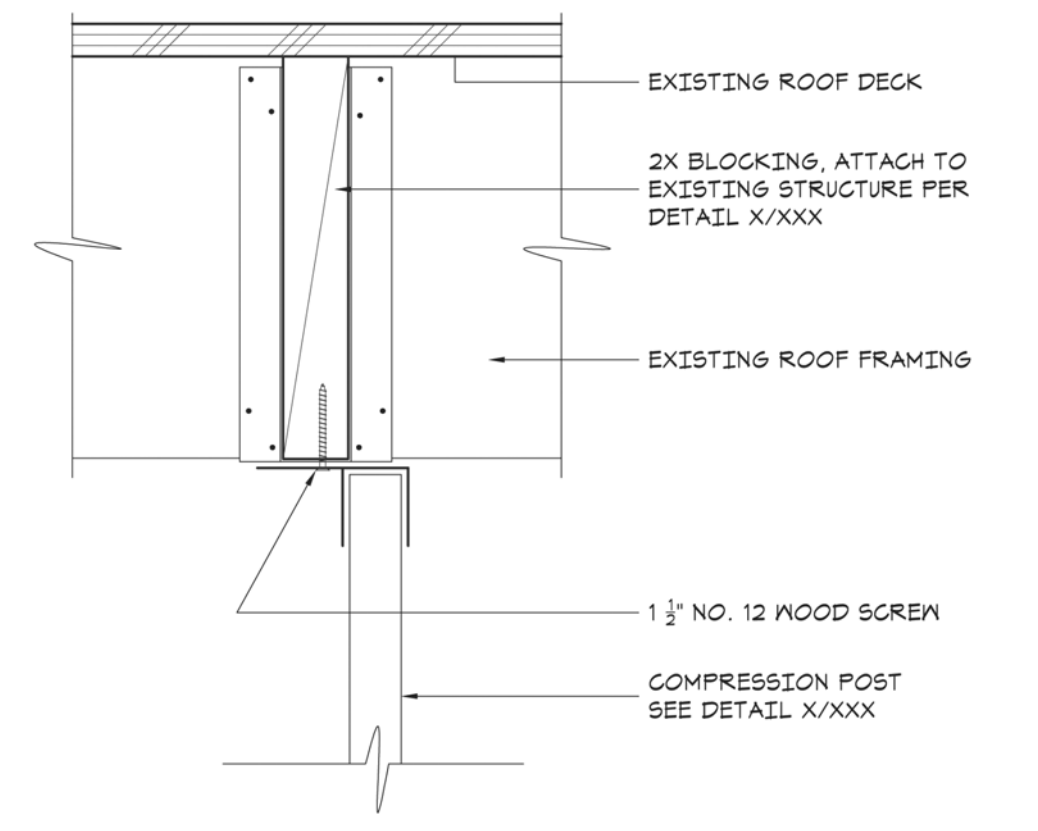
14 - CEILING AT WALL

3"=1'-0"



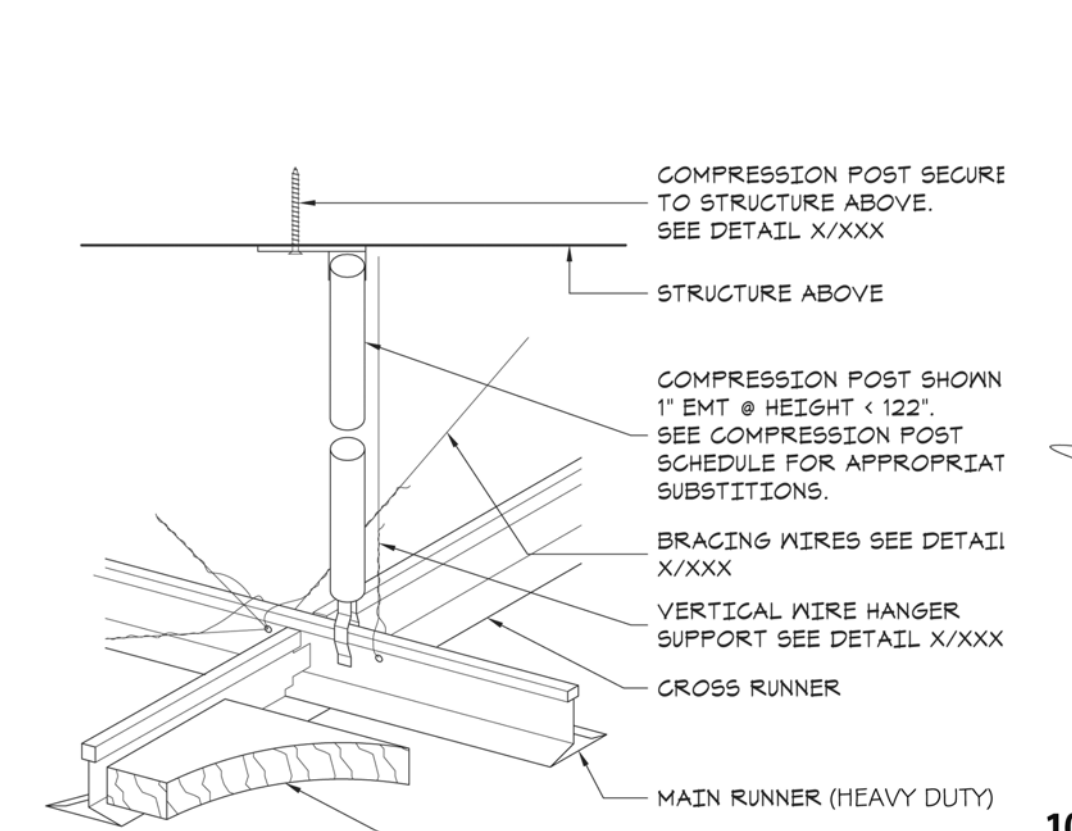
20 - SECTION OF TYP. WALL DETAIL

NTS



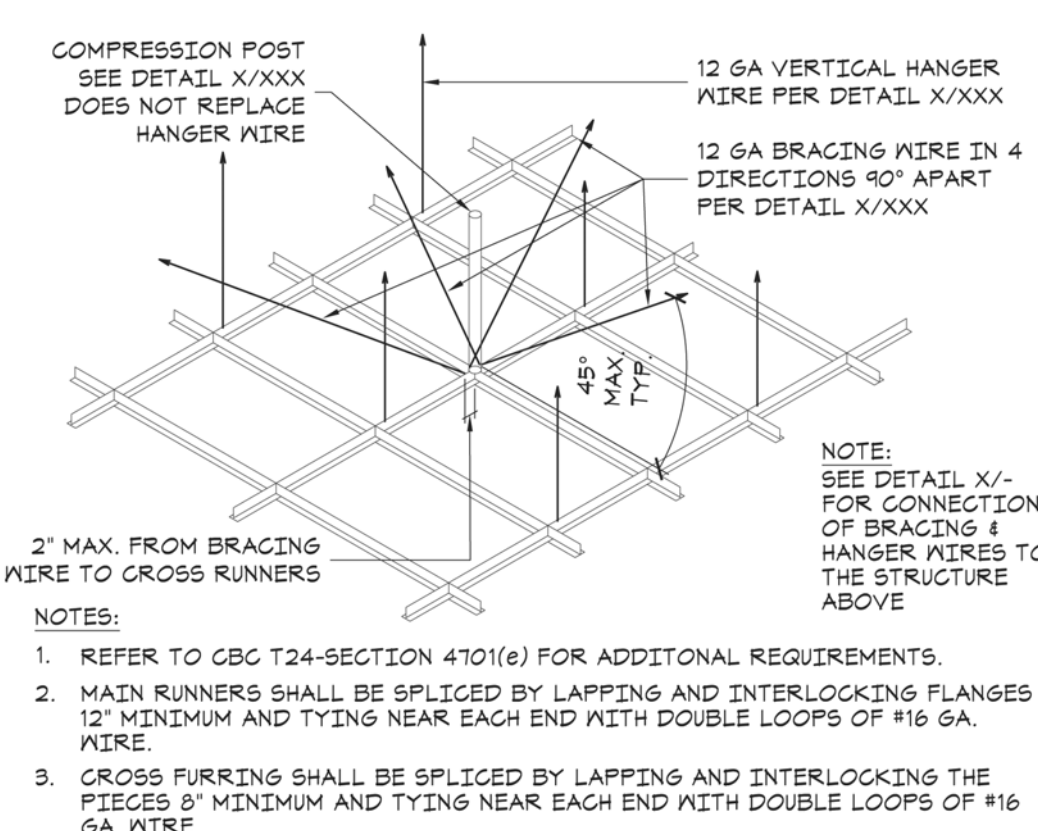
17 - COMPRESSION POST ATTACHMENT

3"=1'-0"



10 - LIGHT FIXTURE AT CEILING GRID

3"=1'-0"



16 - DIAGRAMATIC ATTACHMENT

NTS

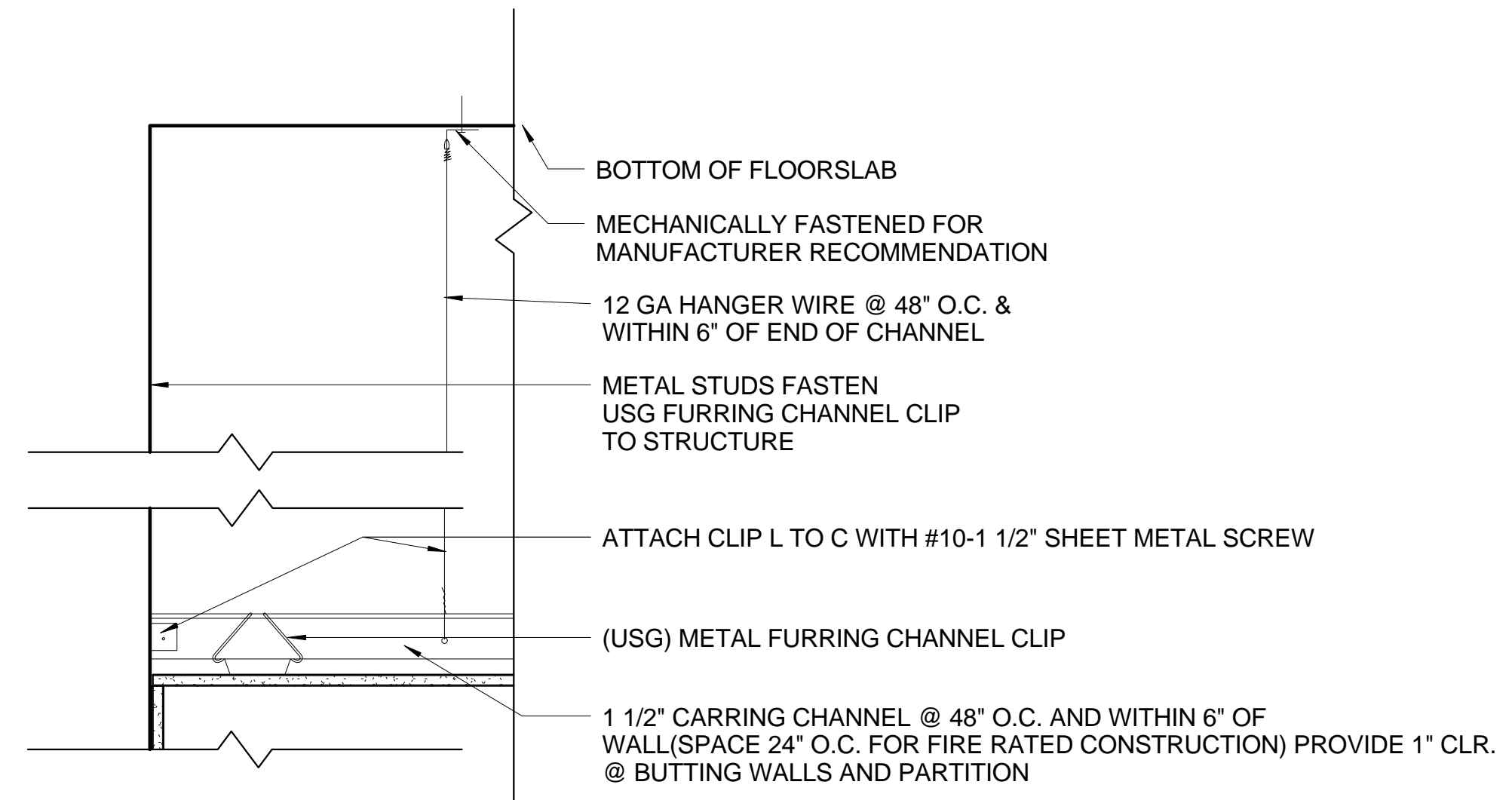
COMPRESSION STRUT SCHEDULE:

SINGLE MEMBER	MAXIMUM HEIGHT	COMMENT
1" EMT PIPE	122"	1" EMT PIPE: 1.183" O.D., .051" WALL THICKNESS, #1.63201, L/R RATIO @ 1200 MAX: 200/1.63201 = 122.54"
25 GA X 2-1/2"	84"	
25 GA X 3-1/2"	81"	
20 GA X 1-5/8"	121"	
20 GA X 2-1/2"	121"	
20 GA X 3-1/2"	91"	

DOUBLE MEMBER	MAXIMUM HEIGHT	COMMENT
25 GA X 2-1/2"	202"	
25 GA X 3-1/2"	212"	
20 GA X 1-5/8"	138"	
20 GA X 2-1/2"	207"	
20 GA X 2-1/2"	213"	
20 GA X 6"	324"	

13 - INSTALLATION AT COMPRESSION STRUT

NTS



3 BYP. BD. CEIL. / SUSPENDED GYP. BD. CEIL.

1 1/2" = 1'-0"

Tenant Improvement
Old Port Lobster Shack
 425 FORE STREET
 PORTLAND ME

PROJECT NUMBER	150101
DRAWN	Author
CHECKED	Checker
DATE	
SCALE	

FRAMING / T-BAR CEILING / FLOOR PENETRATION DETAILS

A-6.1