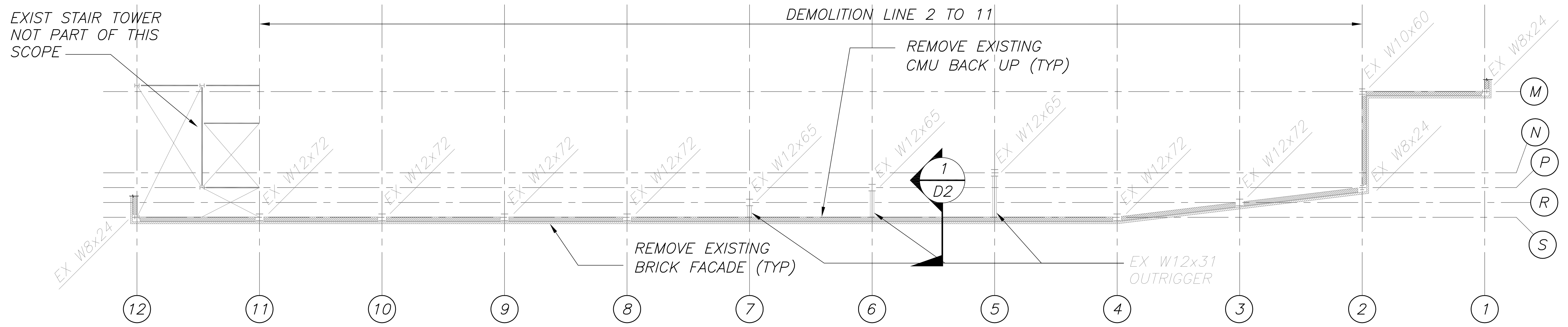


EXISTING PATTON CT ELEVATION
NTS



EXISTING TYPICAL PLAN
NTS

BECKER
STRUCTURAL ENGINEERS
75 York Street, Portland, Maine 04101
207.875.1838 • beckerstructural.com

Appr'd	TMN
Issued For	PERMIT SET
Date	2/13/13
Rev. No.	

FORE STREET PARKING FACILITY
PORTLAND, ME
FACADE REPAIRS PHASE 2
DEMOLITION

Designed	TMN	Scale	NOTED
Drawn	BRG	Date	2/6/13
Checked	TMN	Becker Job Number	2961

NOT FOR CONSTRUCTION

THIS DRAWING IS AN INSTRUMENT OF SERVICE AND SHALL REMAIN THE PROPERTY OF BECKER STRUCTURAL ENGINEERS INC. IT SHALL NOT BE REPRODUCED, COPIED, LENT OR DISPOSED OF DIRECTLY OR INDIRECTLY NOR USED FOR ANY PURPOSE OTHER THAN FOR WHICH IT IS SPECIFICALLY FURNISHED AND MUST BE RETURNED TO BECKER STRUCTURAL ENGINEERS INC. ON COMPLETION OF WORK, IF REQUESTED.