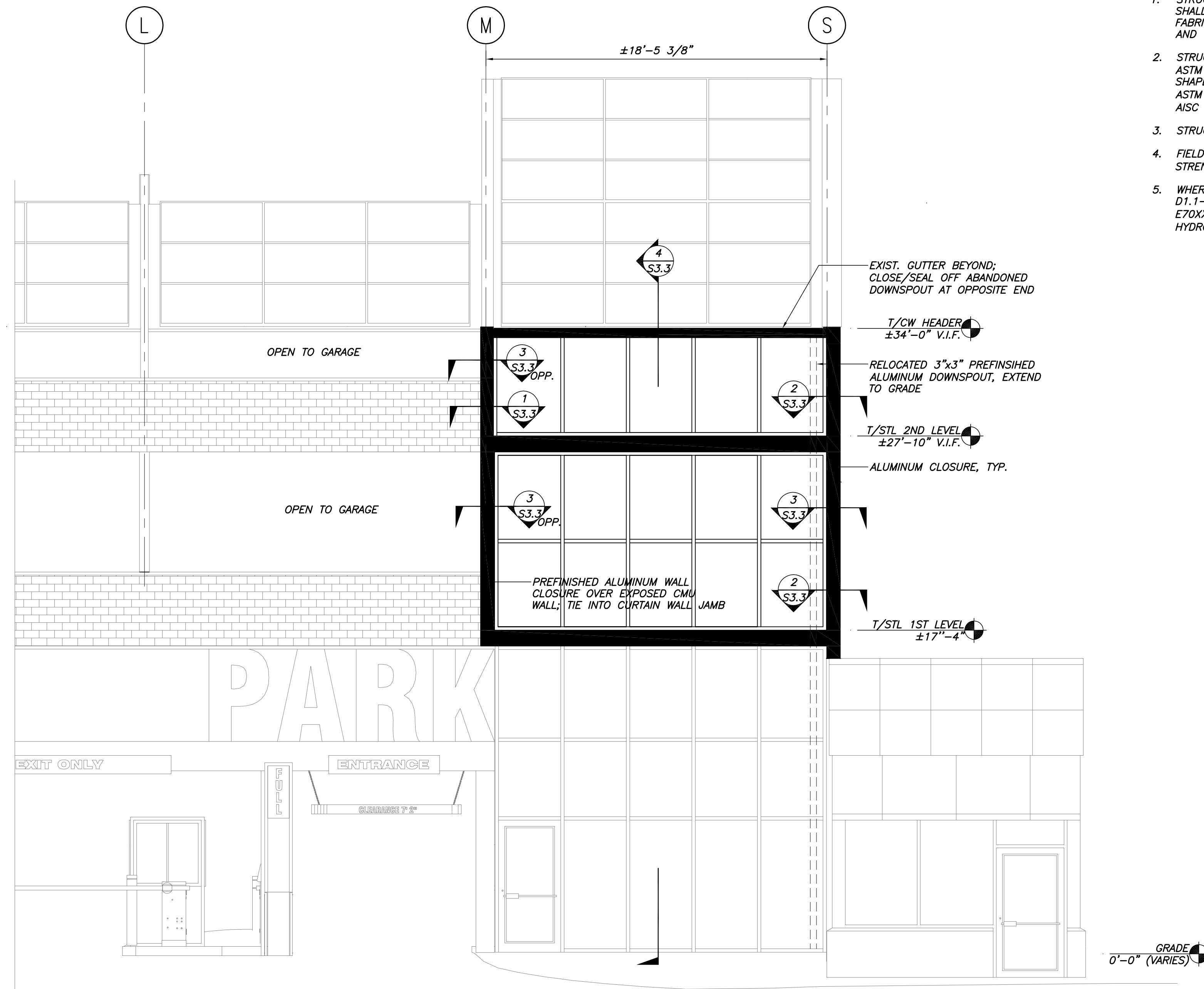
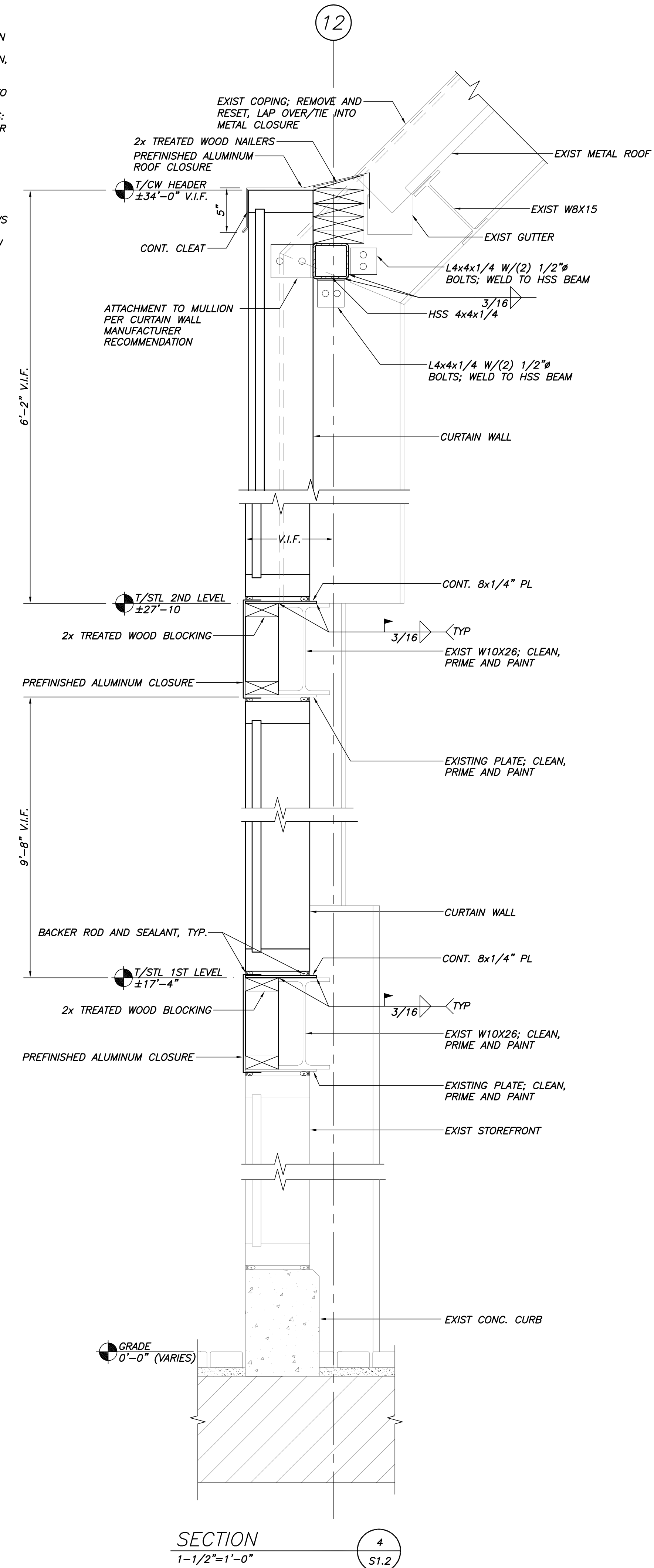
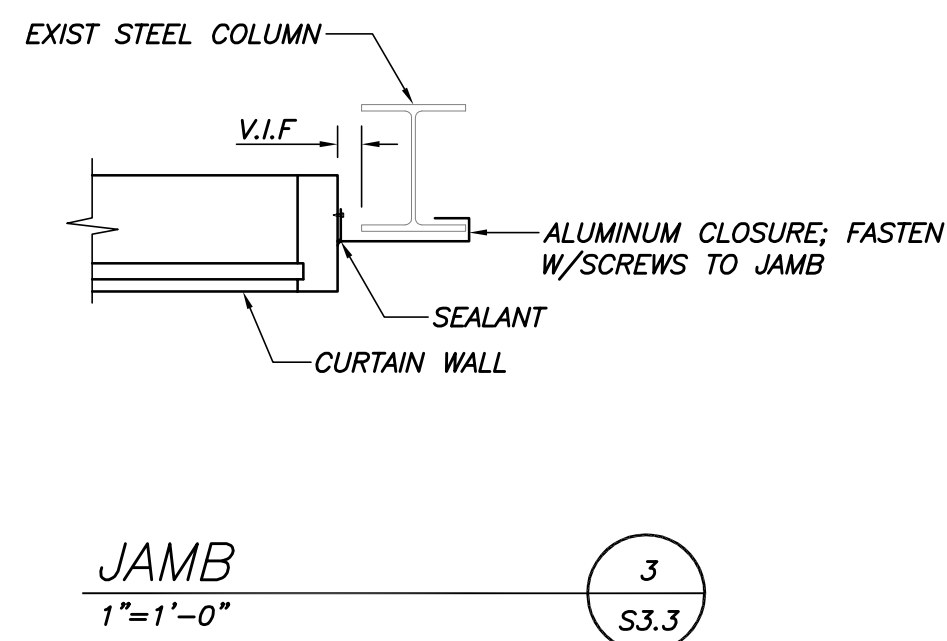
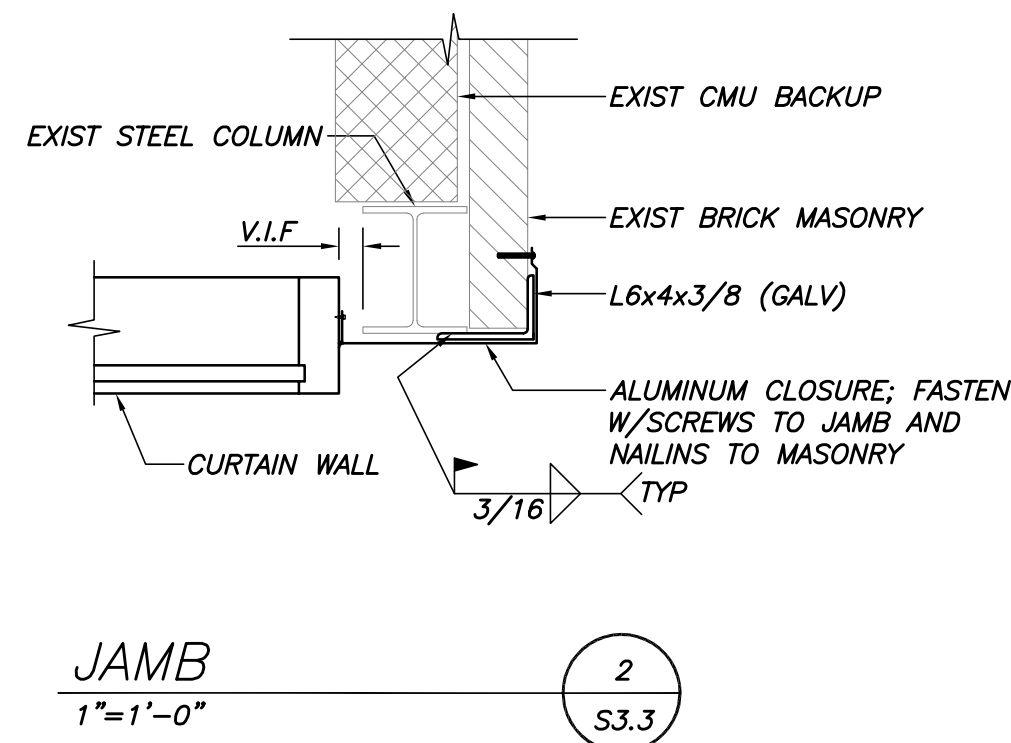
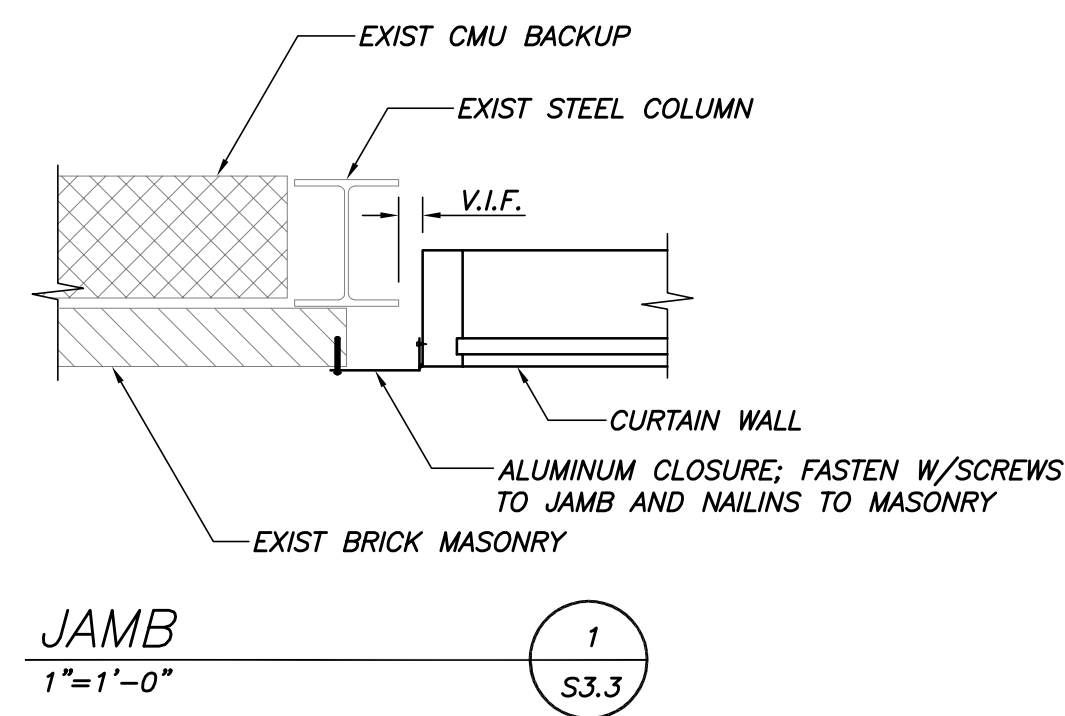


STRUCTURAL STEEL NOTES

1. STRUCTURAL STEEL FABRICATION, ERECTION, AND CONNECTION DESIGN SHALL CONFORM TO AISC "SPECIFICATION FOR THE DESIGN FABRICATIONS, AND ERECTION OF STRUCTURAL STEEL" LATEST EDITION, AND THE "CODE OF STANDARD PRACTICE", LATEST EDITION.
2. STRUCTURAL STEEL: STEEL PLATES, SHAPES, AND BARS, CONFORM TO ASTM A36 UNLESS NOTED OTHERWISE (U.N.O.). STRUCTURAL STEEL SHAPES DESIGNATED ON THE DRAWINGS FOR WIDE-FLANGE SECTIONS: ASTM A992 (ASTM A572 GRADE 50 WITH SPECIAL REQUIREMENTS PER AISC TECHNICAL BULLETIN #3 DATED MARCH, 1997)
3. STRUCTURAL TUBING: CONFORM TO ASTM A500 GRADE B46 KSI.
4. FIELD CONNECTIONS SHALL BE BOLTED USING ASTM A325N HIGH STRENGTH BOLTS (U.N.O.)
5. WHERE WELDING IS INDICATED, ALL WELDING SHALL CONFORM TO AWS D1.1-LATEST EDITION. ELECTRODES SHALL CONFORM TO AWS A5.1 E70XX SERIES WITH PROPER ROD TO PRODUCE OPTIMUM WELD (LOW HYDROGEN)



PARTIAL FORE ST. SOUTH ELEVATION
1/4"=1'-0"



THIS DRAWING IS AN INSTRUMENT OF SERVICE AND SHALL REMAIN THE PROPERTY OF BECKER STRUCTURAL ENGINEERS INC. IT SHALL NOT BE REPRODUCED, COPIED, LENT, OR DISPOSED OF DIRECTLY OR INDIRECTLY, NOR USED FOR ANY PURPOSE OTHER THAN FOR WHICH IT IS SPECIFICALLY FURNISHED AND MUST BE RETURNED TO BECKER STRUCTURAL ENGINEERS INC. ON COMPLETION OF WORK, IF REQUESTED.



Approved	
Issued For	PRICING SET
Date	09/06/13
Rev. No	10/11/13

FORE STREET PARKING FACILITY
PORTLAND, MAINE
CURTAIN WALL ELEVATION/SECTION

Designed	JMM	Scale	AS NOTED
Drawn	JMM	Date	9/3/13
Checked	TMN	Becker Job Number	3143

S3.3