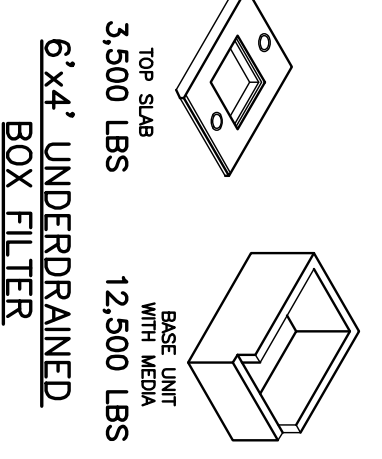
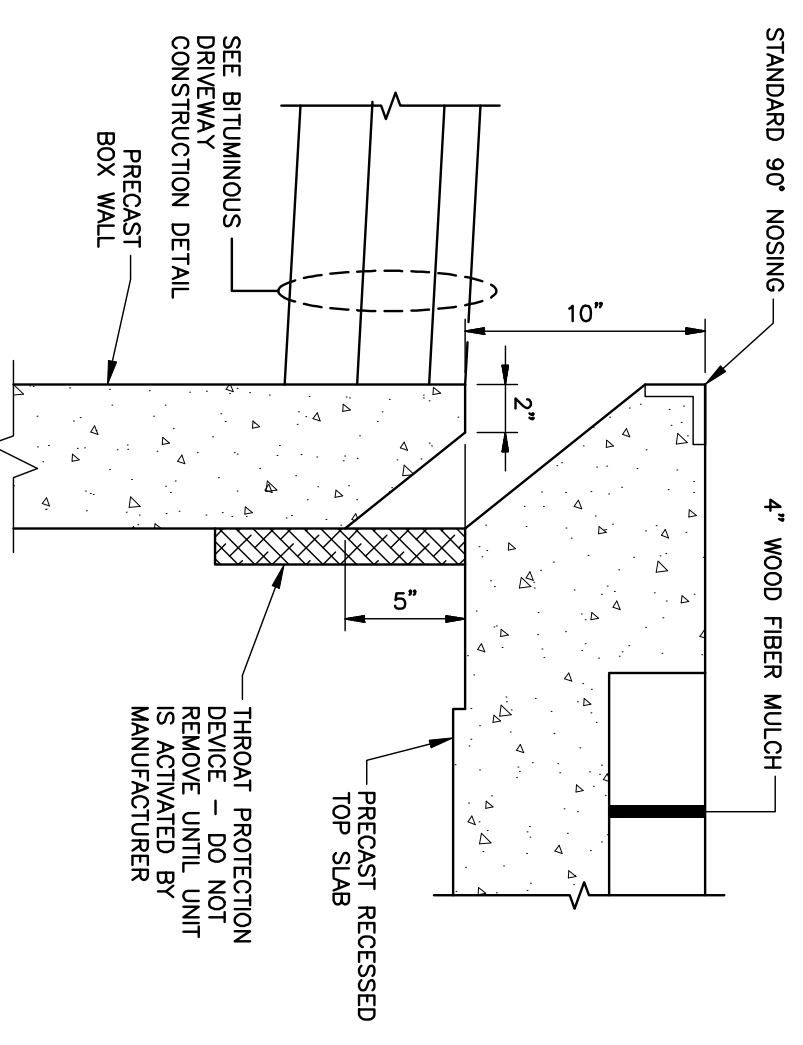
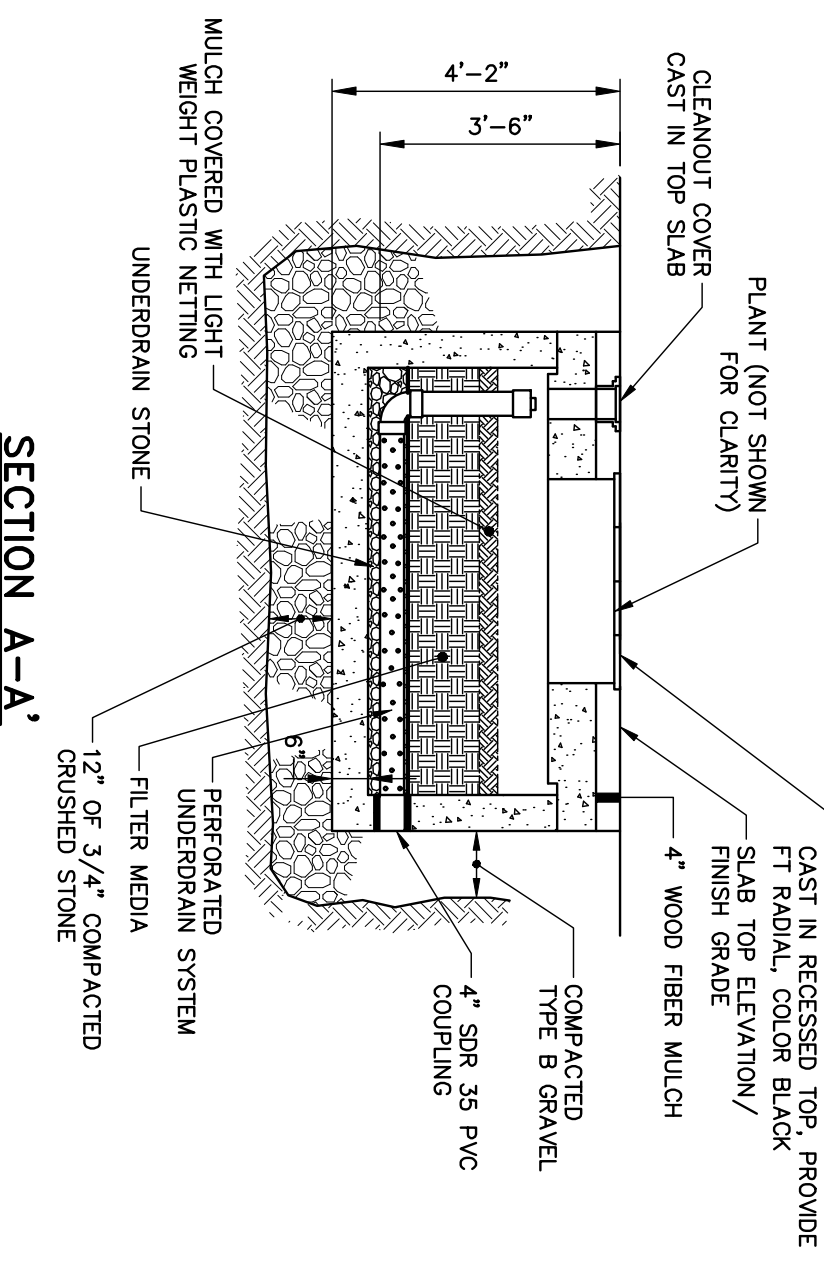
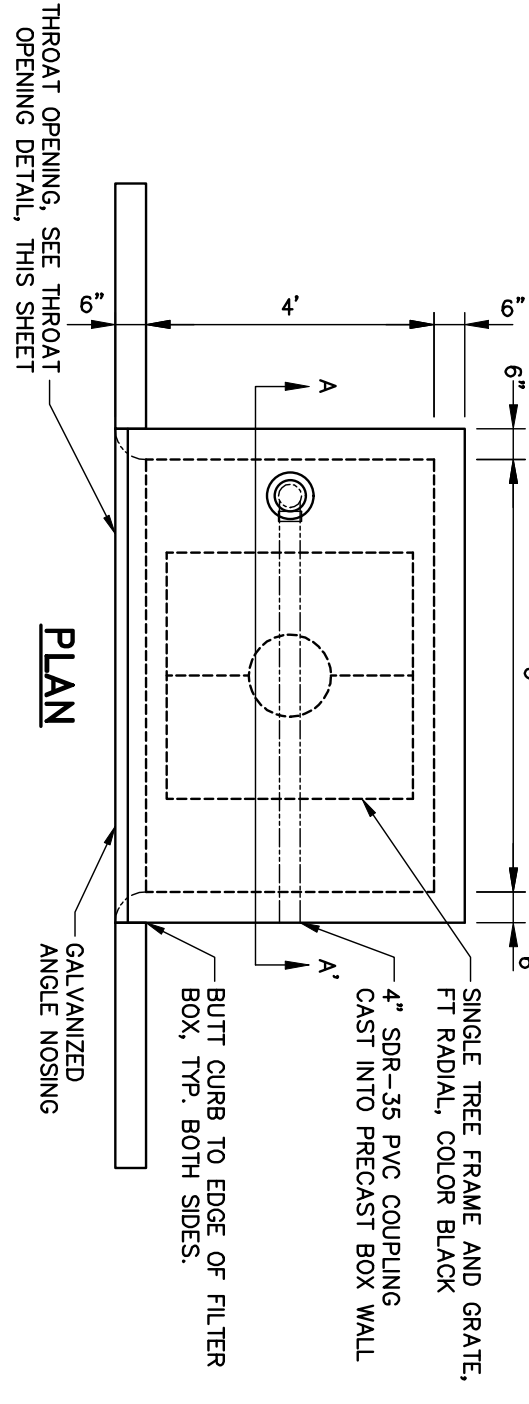


NOTE:
DETAIL REPRESENTS ELEVATION VIEW OF SERVICE DRIVEWAY GUTTER LINE AT BOX FILTER LOCATION. PARKS SHALL PERFORM FLOW PROTECTION. PARKS SHALL PERFORM HIGH-INTENSITY RAINFALL EVENTS THAT ENTER BOX FILTER UNIT. OVERFLOW DURING HOURS OUT OF BOX FILTER THROUGH SHALL CONTINUE DOWN GUTTERLINE TO CS-3.

BOX FILTER THROAT OPENING DETAIL
N.T.S.

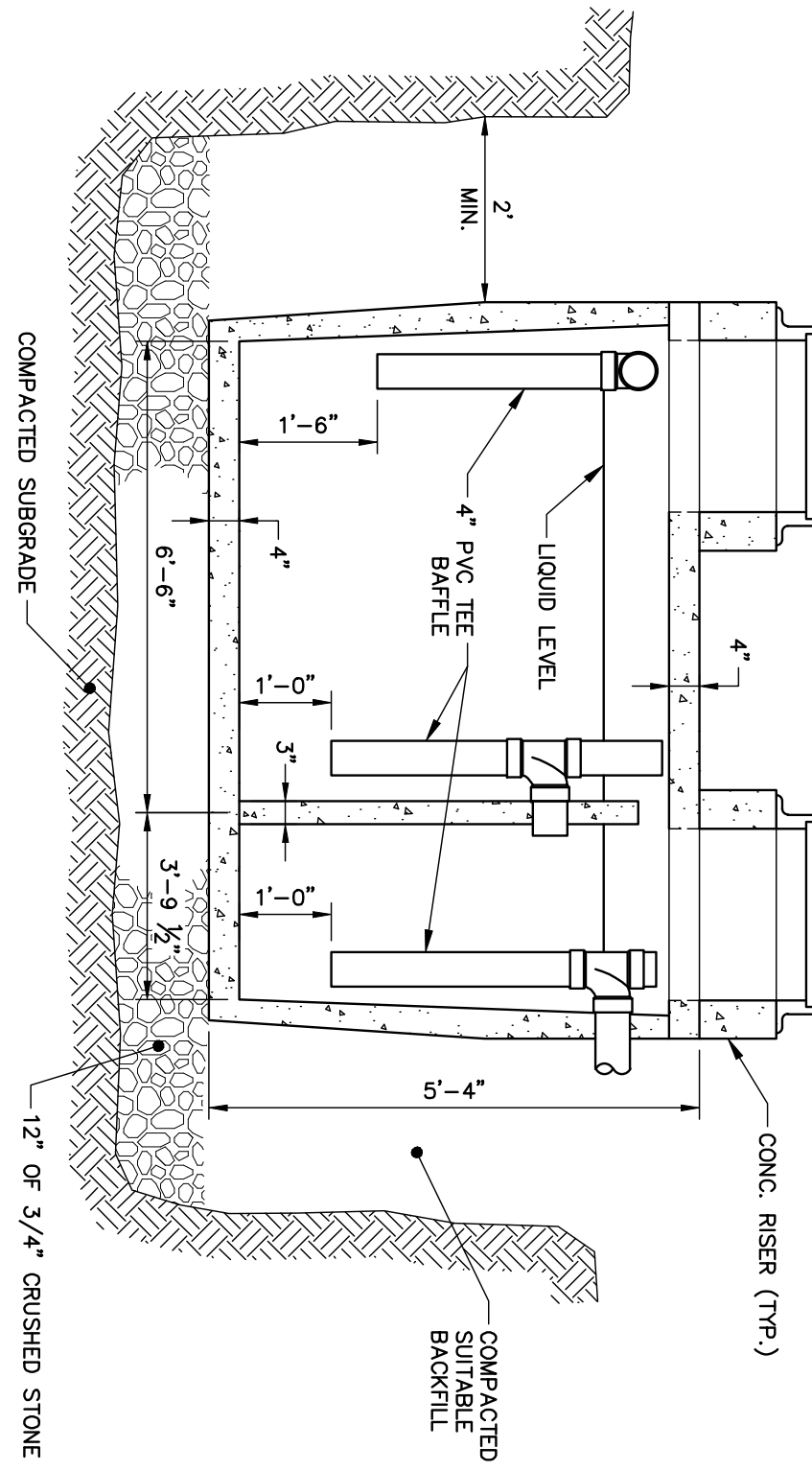
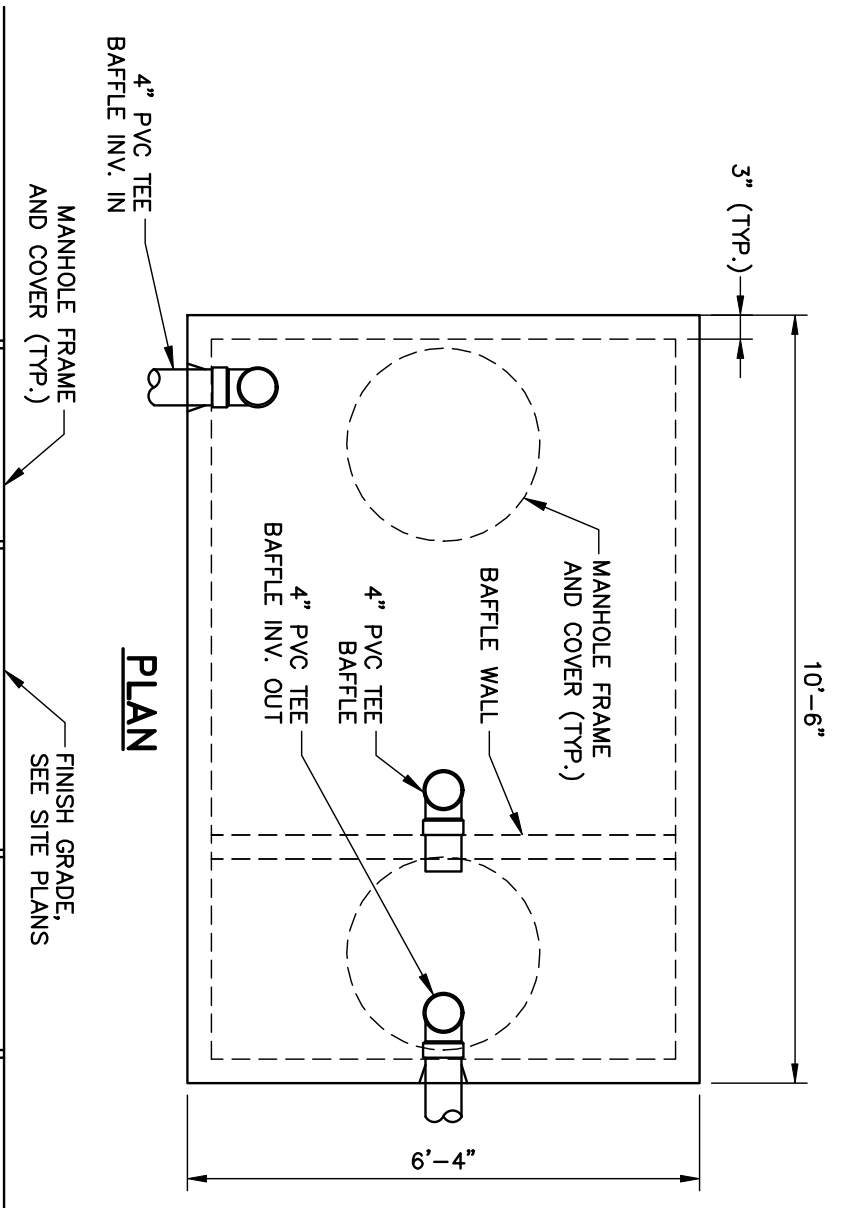


NOTE:
1. LISTED WEIGHTS ARE APPROXIMATE. CONTRA WEIGHTS WITH MANUFACTURER PRIOR TO INSTALLATION.

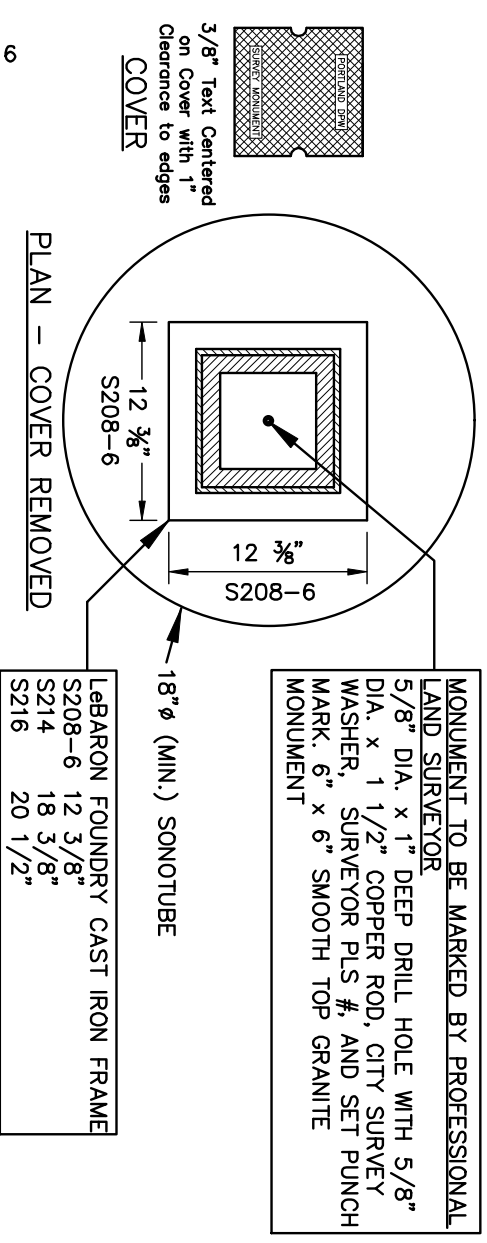


NOTE:
1. UNDERDRAINED BOX FILTER BY FILTER@ OR APPROVED EQUAL.
2. A LIST OF PLANT AND TREE OPTIONS PREPARED BY BOX FILTER MANUFACTURER SHALL BE PRESENTED TO THE OWNER FOR SELECTION.
3. UNDERDRAINED BOX FILTER SHALL HAVE GALVANIZED NOSING AT CURB EDGE.

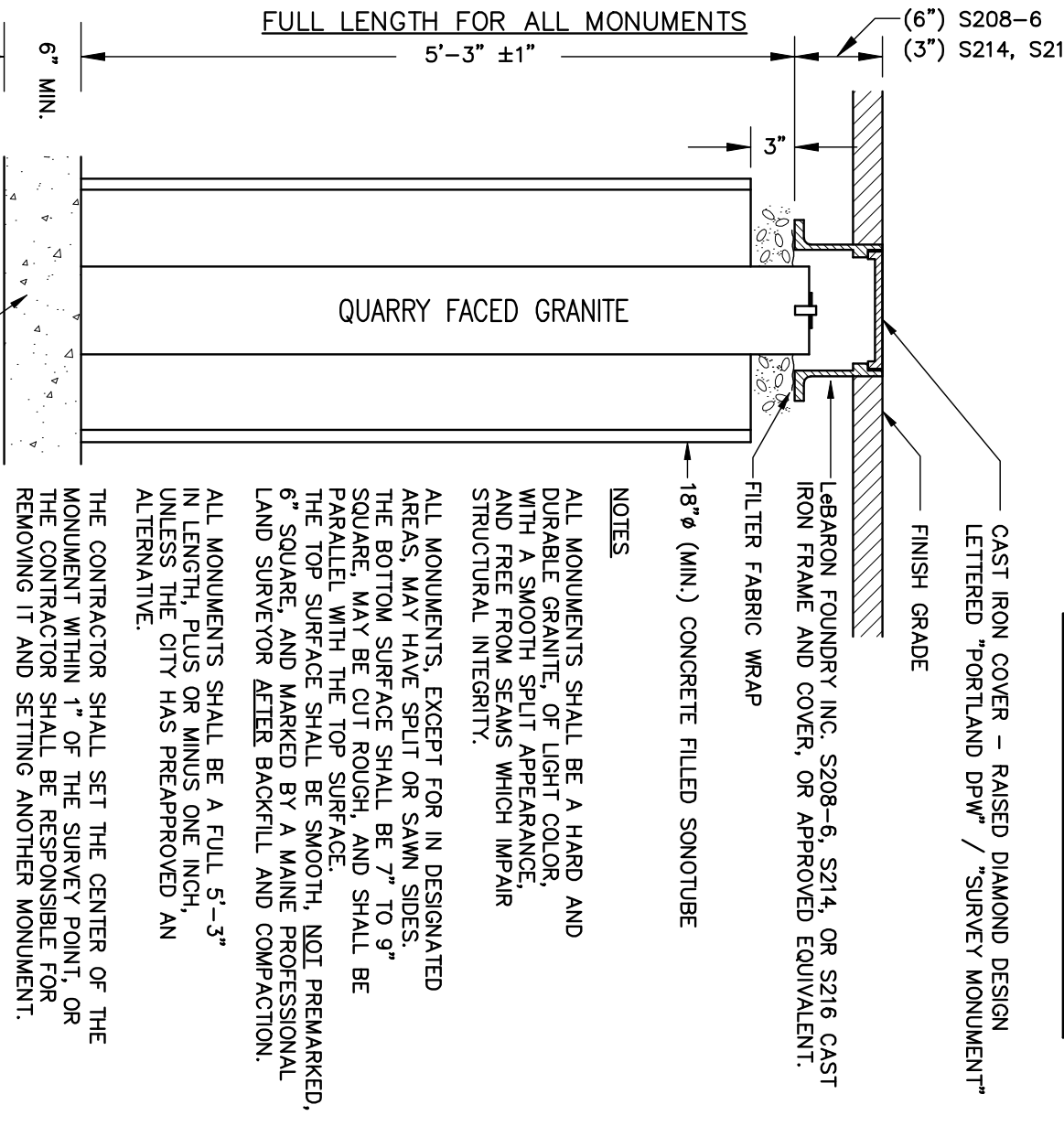
BOX FILTER UNIT
N.T.S.



EXTERNAL GREASE TRAP DETAIL
N.T.S.



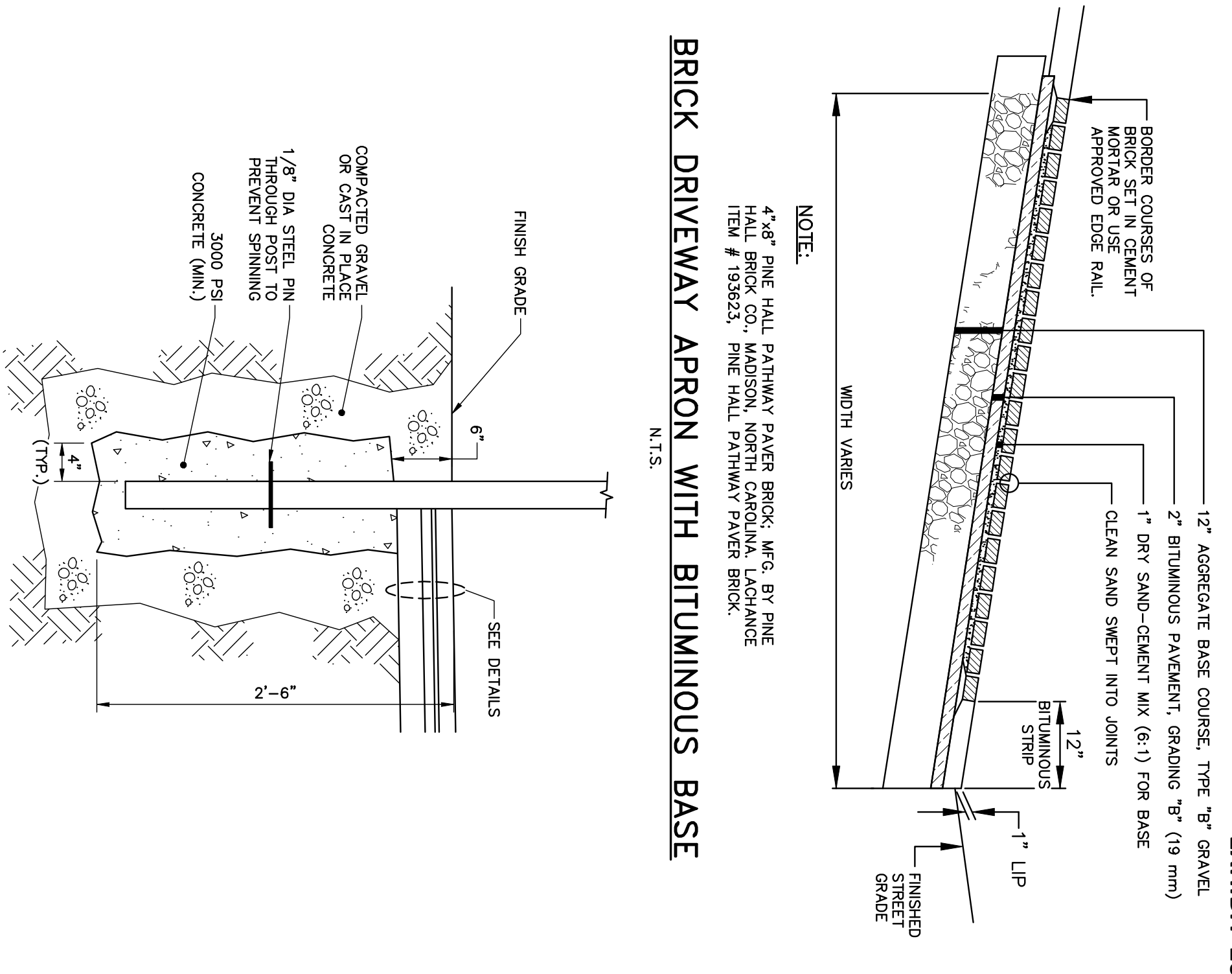
MONUMENT TO BE MARKED BY PROFESSIONAL LAND SURVEYOR:
5/8" DIA. x 1" DEEP DRILL HOLE WITH 5/8" DIA. x 1 1/2" COPPER ROD, CITY SURVEY W/ASHER, SURVEYOR PLS.#, AND SET SURVEY MONUMENT 6" SMOOTH TOP GRANITE.



GRANITE STREET MONUMENT
N.T.S.

NOTE: AGGREGATE TYPES PER MDOT SECTION 304.02

- CONCRETE SPECIFICATIONS:**
- 5,000 PSI AT 28 DAYS
 - MINIMUM 4% AIR
 - TANK PENETRATIONS ARE INTEGRALLY CAST
 - ALL JOINTS SEALED WITH BUTLE RUBBER JOINT SEALANT
 - H-20 LOADING
- GREASE TRAP INFORMATION:**
- TANKS SHOULD BE PUMPED AS NEEDED TO PREVENT OVERFLOW
 - MANHOLE ACCESS TO GRADE

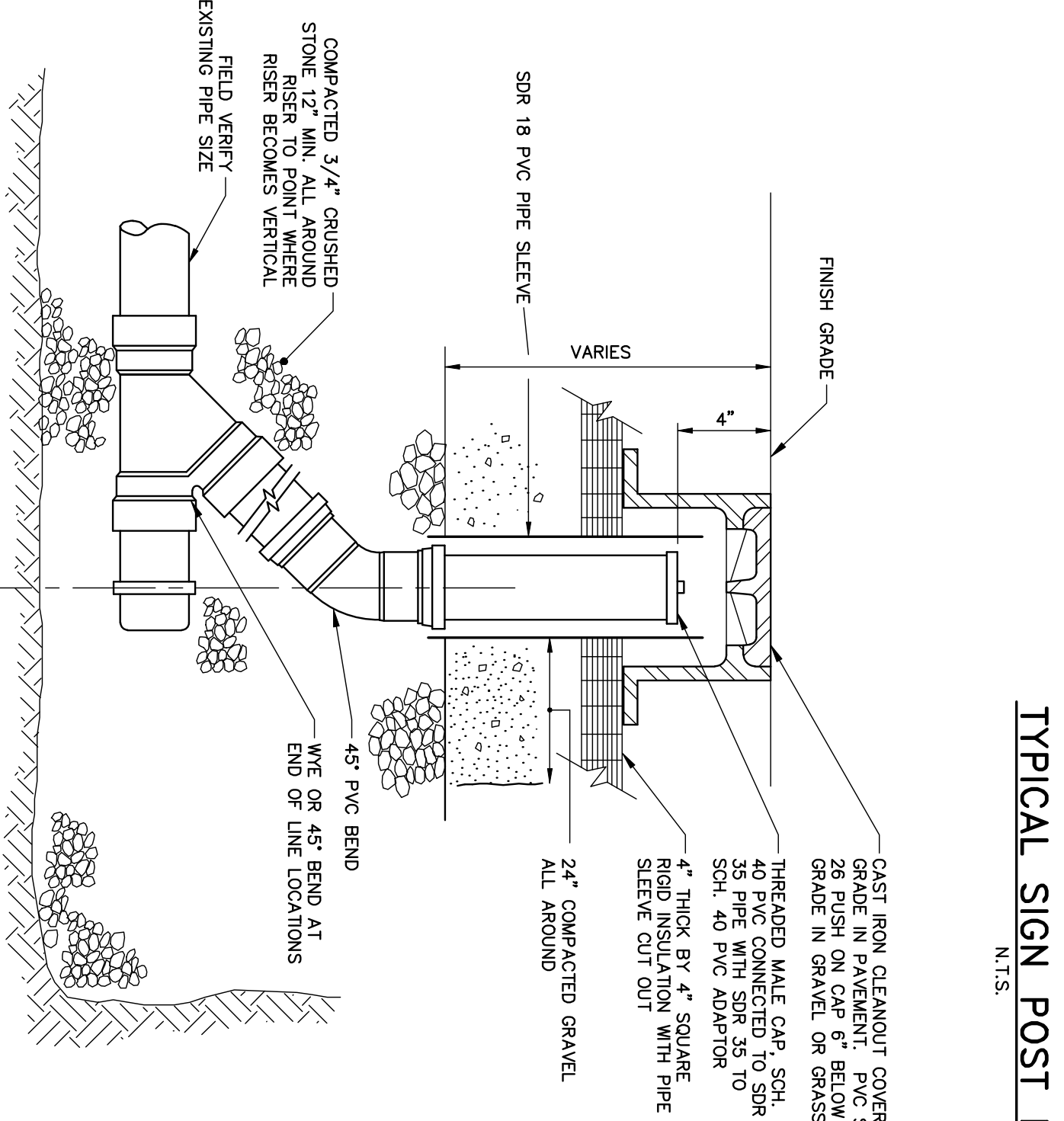


BRICK DRIVEWAY APRON WITH BITUMINOUS BASE
N.T.S.

NOTE:
4"x8" PINE HALL PATHWAY PAPER BRICK, MFG. BY PINE HALL BRICK CO., MADISON, NORTH CAROLINA. ITEM # 193623. PINE HALL PATHWAY PAPER BRICK.

TYPICAL SIGN POST DETAIL
N.T.S.

POST SPECIFICATION		
TYPE	HEIGHT ABOVE FIN. GRADE	POST DIAMETER
STREET SIGNAGE	7'-0"	2.3/8" (O.D.) GALV. STEEL



CLEANOUT DETAIL
N.T.S.

PRELIMINARY - NOT FOR CONTRUCTION

COW PLAZA HOTEL, LLC 100 COMMERCIAL STREET, SUITE 306 PORTLAND, MAINE, C/O TIM SOLEY	CANAL PLAZA HOTEL	CIVIL DETAILS - 3	
		JOB NO.: 225869.01 DATE: OCTOBER 2012 SCALE: AS NOTED SHEET: 7 OF 9	DESIGNED BY: MDLM CHECKED BY: DLC DRAWN BY: JBC
DENISE CAMERON No. 11279 LICENSED PROFESSIONAL ENGINEER		1 FINAL SITE PLAN APPLICATION SUBMISSION REV DESCRIPTION DATE	9/26/2012
WOODARD & CURRAN 41 Hutchins Drive Portland, Maine 04102 800.426.4262 www.woodardcurran.com		COMMITMENT & INTEGRITY DRIVE RESULTS	