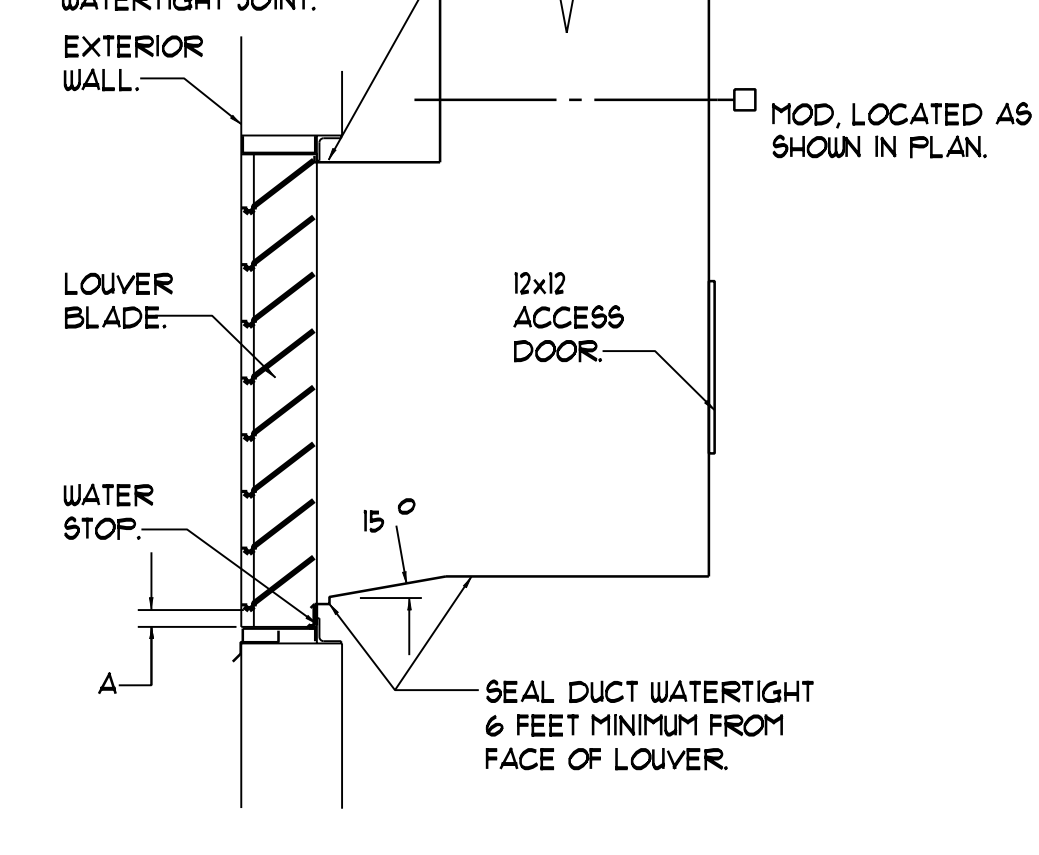


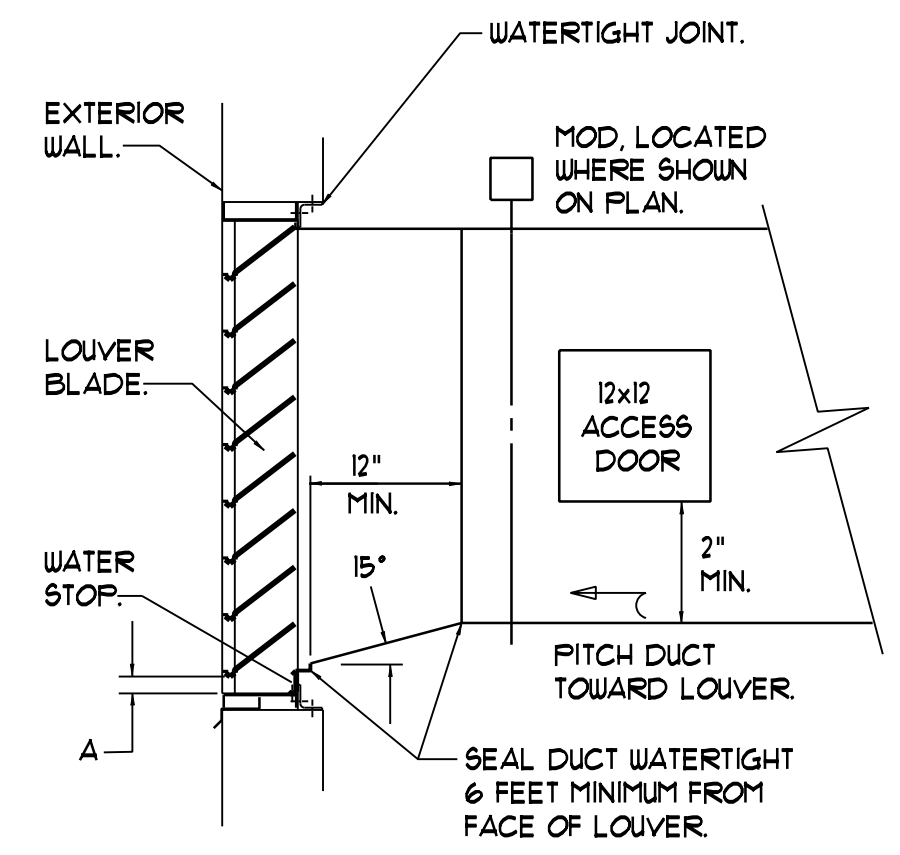
**LOUVER DETAIL WITH  
 DUCT FROM BELOW**

NTS  
 NOTE IF DIMENSION "A" IS LESS THAN 1 INCH  
 SEE MODIFIED LOUVER DETAIL THIS SHEET.



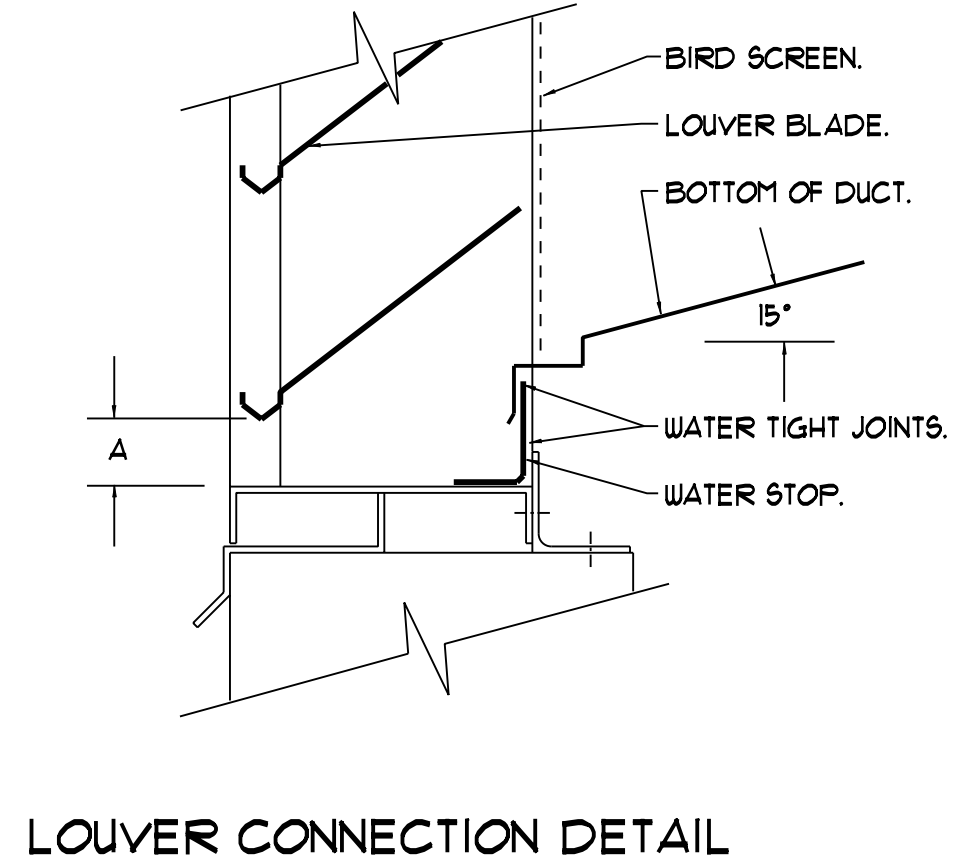
**LOUVER DETAIL WITH  
 DUCT FROM ABOVE**

NTS  
 NOTE IF DIMENSION "A" IS LESS THAN 1 INCH  
 SEE MODIFIED LOUVER DETAIL THIS SHEET.



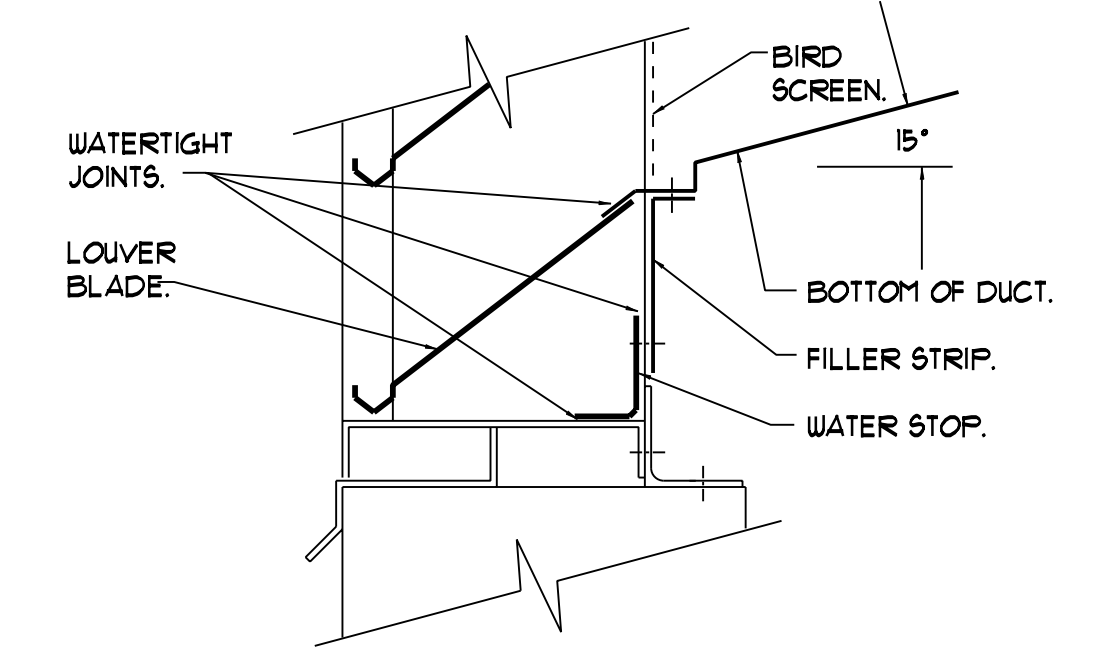
**LOUVER DETAIL WITH  
 HORIZONTAL DUCT**

NTS  
 NOTE IF DIMENSION "A" IS LESS THAN 1 INCH  
 SEE MODIFIED LOUVER DETAIL THIS SHEET.



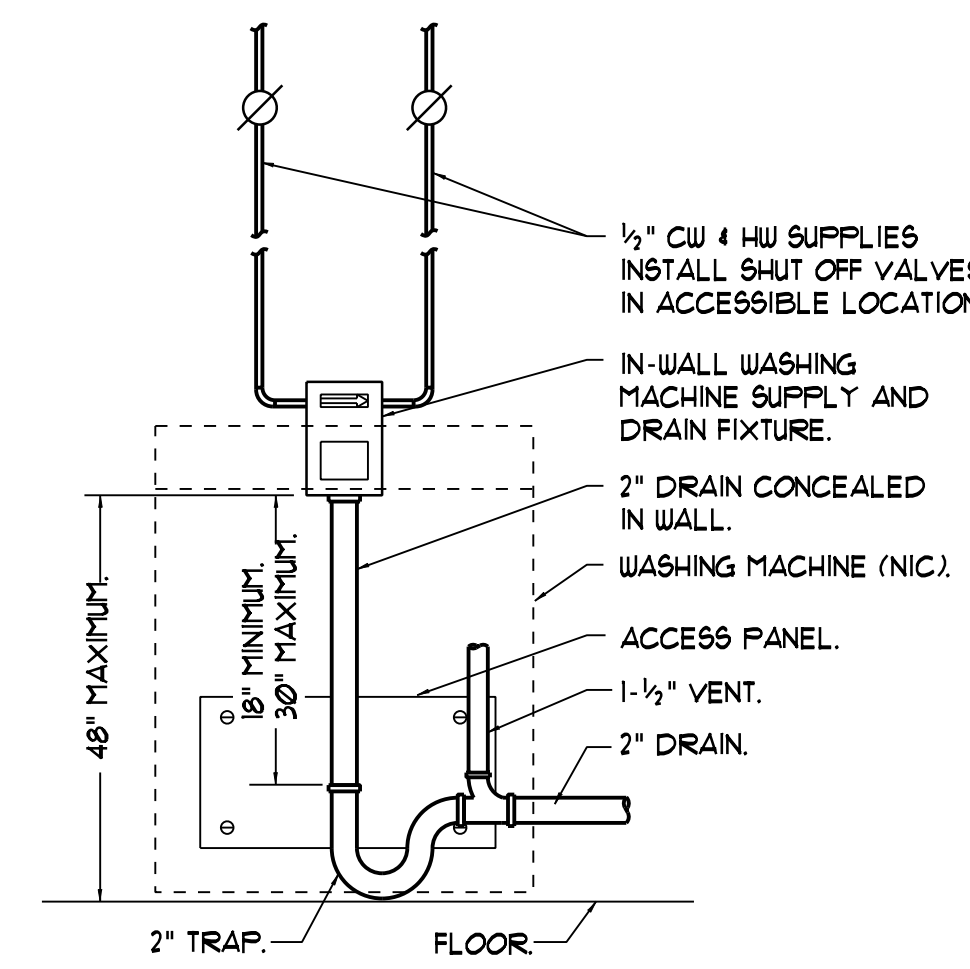
**LOUVER CONNECTION DETAIL**

NTS  
 NOTE TYPICAL FOR LOUVERS AND BLOCK VENTS.  
 IF DIMENSION "A" IS LESS THAN 1 INCH  
 SEE MODIFIED LOUVER DETAIL AT RIGHT  
 (LOUVERS ONLY).



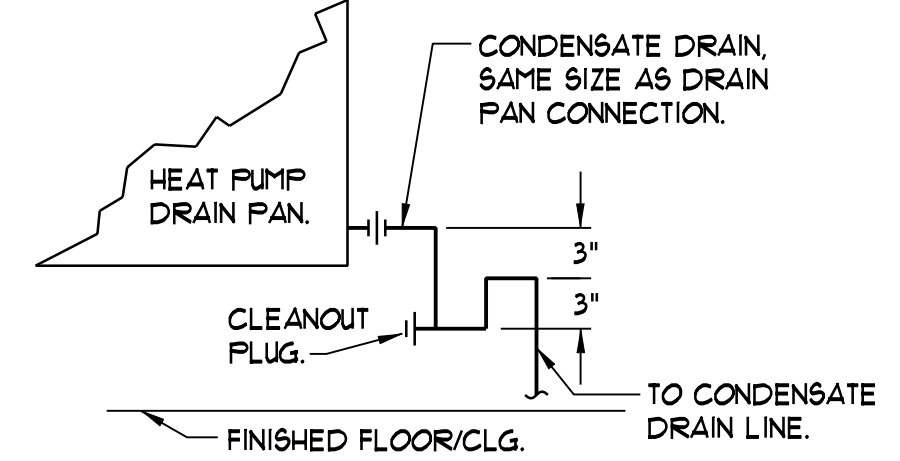
**MODIFIED LOUVER DETAIL**

NTS



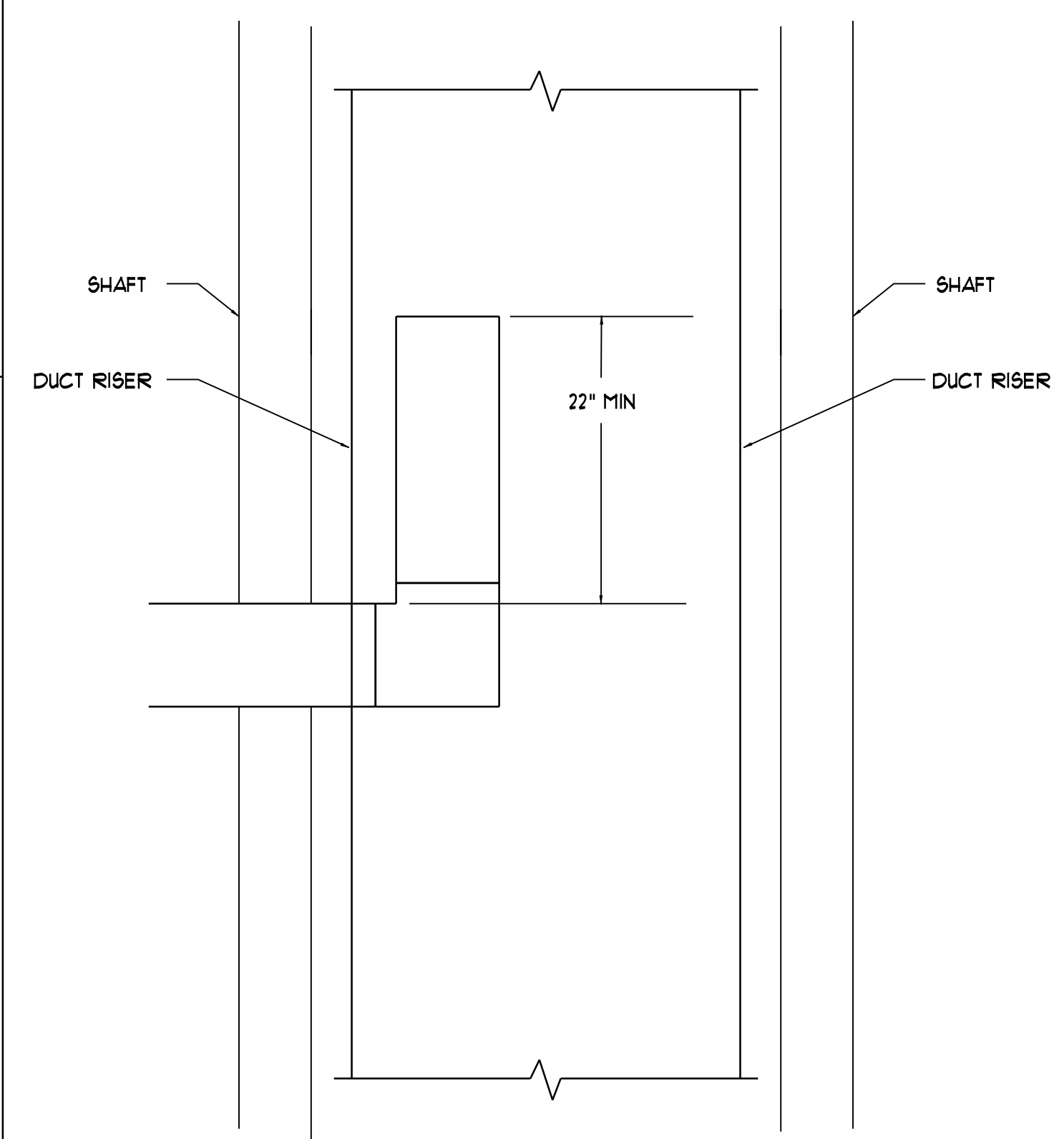
**WASHING MACHINE  
 HOOK-UP DETAIL**

NTS



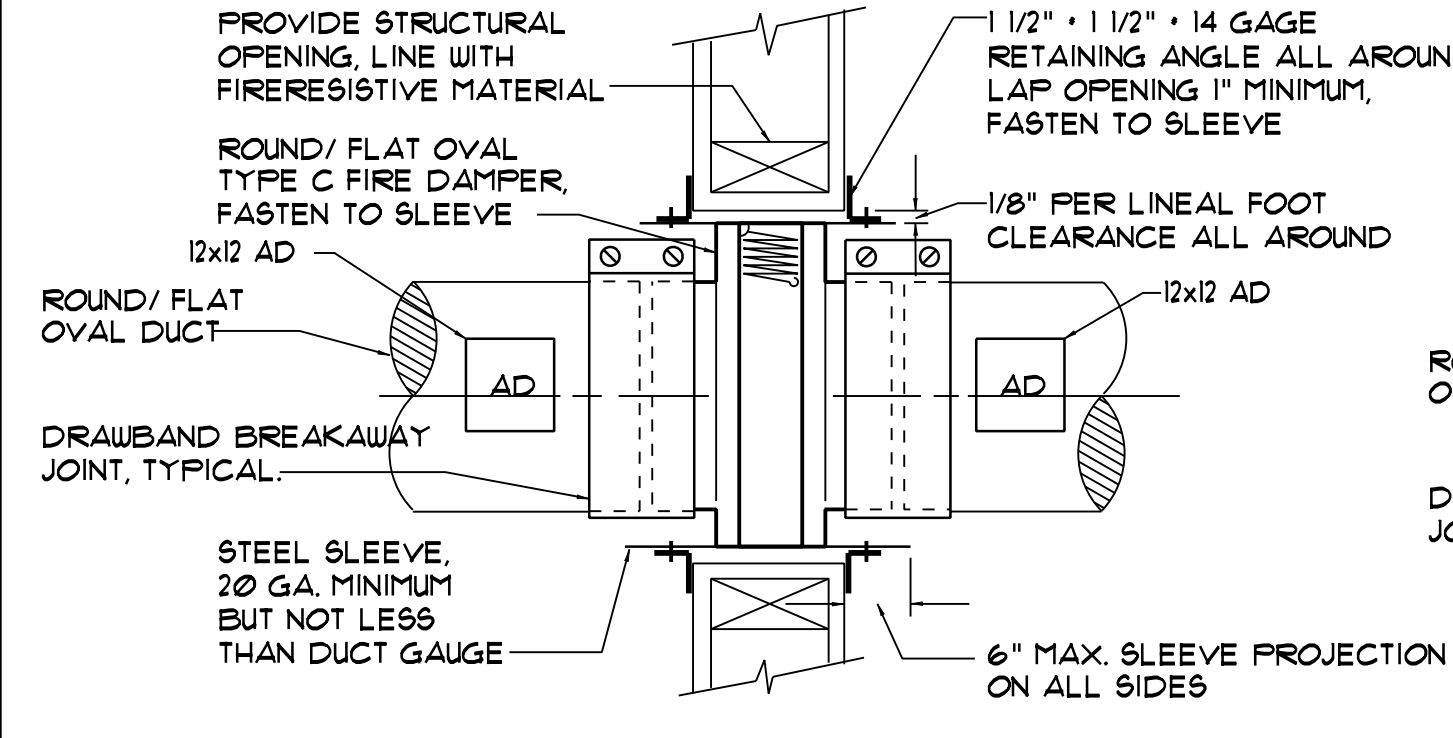
**CONDENSATE TRAP DETAIL**

NTS  
 NOTE - CAP UNUSED DRAIN PAN CONNECTIONS.



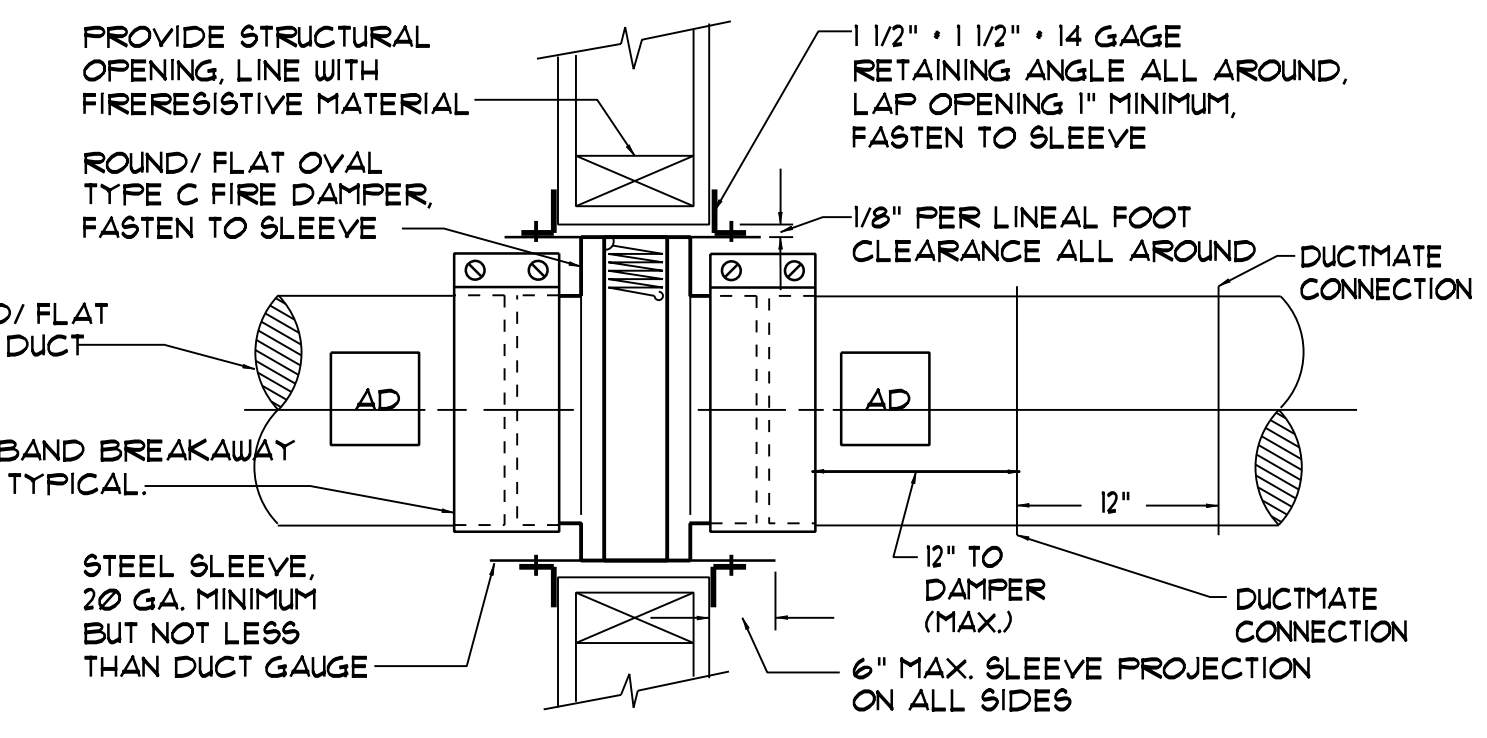
**STUB DUCT DETAIL**

NTS  
 NOTE - TYPICAL AT ALL BATHROOM EXHAUSTS.



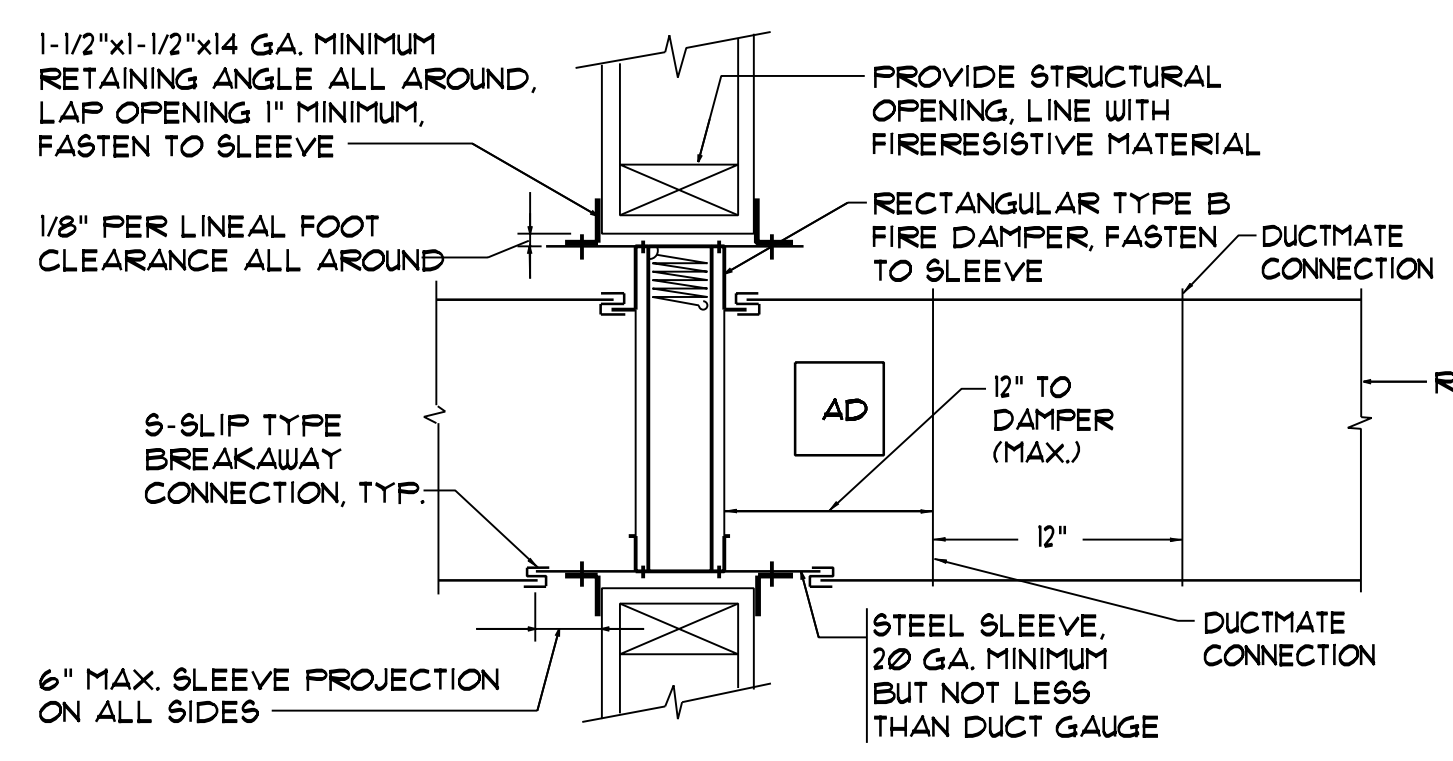
**ROUND/FLAT OVAL FIRE DAMPER  
 INSTALLATION DETAIL**

NTS



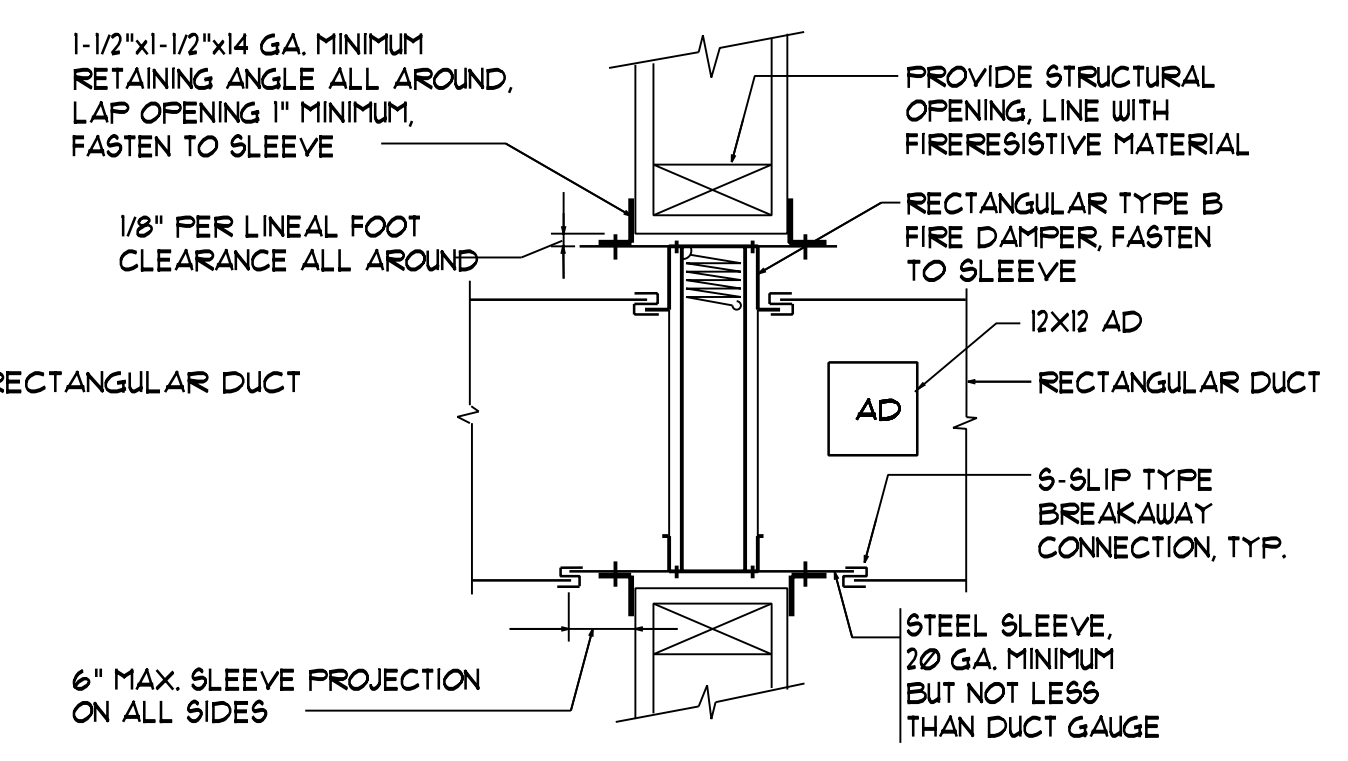
**ROUND/FLAT OVAL FIRE DAMPER INSTALLATION DETAIL  
 WHERE A 12x12 ACCESS DOOR IS NOT POSSIBLE**

NTS



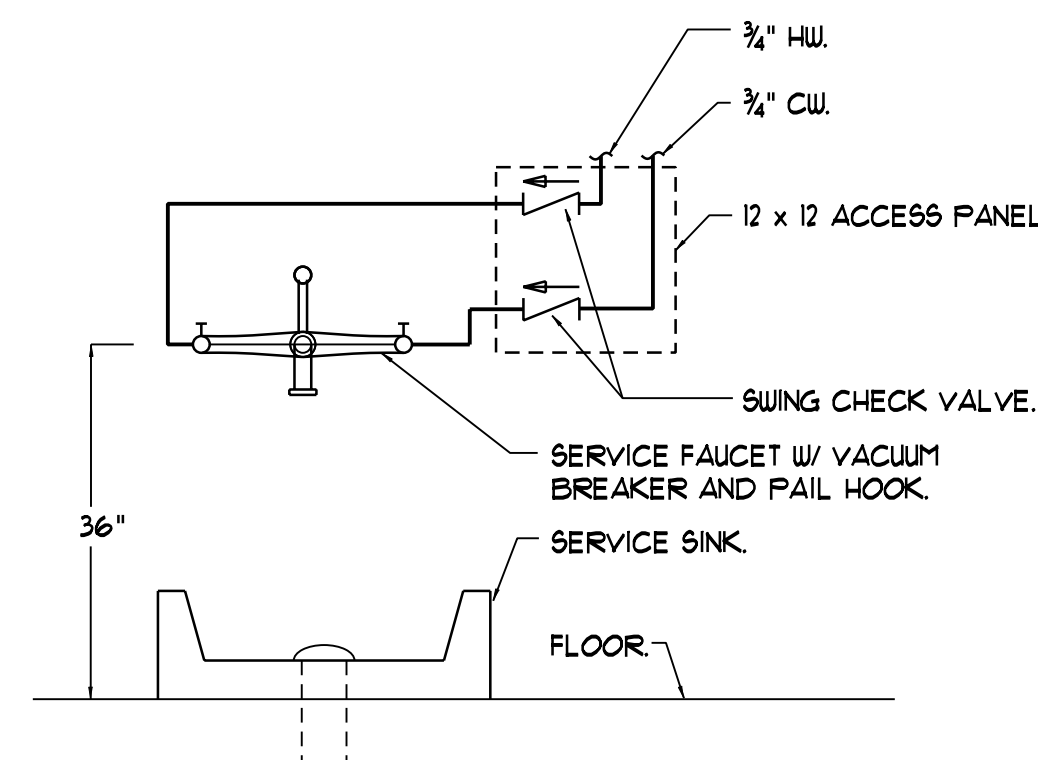
**RECTANGULAR FIRE DAMPER INSTALLATION DETAIL  
 WHERE 12x12 ACCESS DOOR IS NOT POSSIBLE**

NTS



**RECTANGULAR FIRE DAMPER  
 INSTALLATION DETAIL**

NTS



**MOP BASIN INSTALLATION DETAIL**

NTS

Mark	Date	Description

Project Status  
**ISSUED FOR  
 CONSTRUCTION**  
 03-01-2013

Drawing Title  
**Mechanical Details**  
 Scale:  
 Drawing Number

**M30.5**