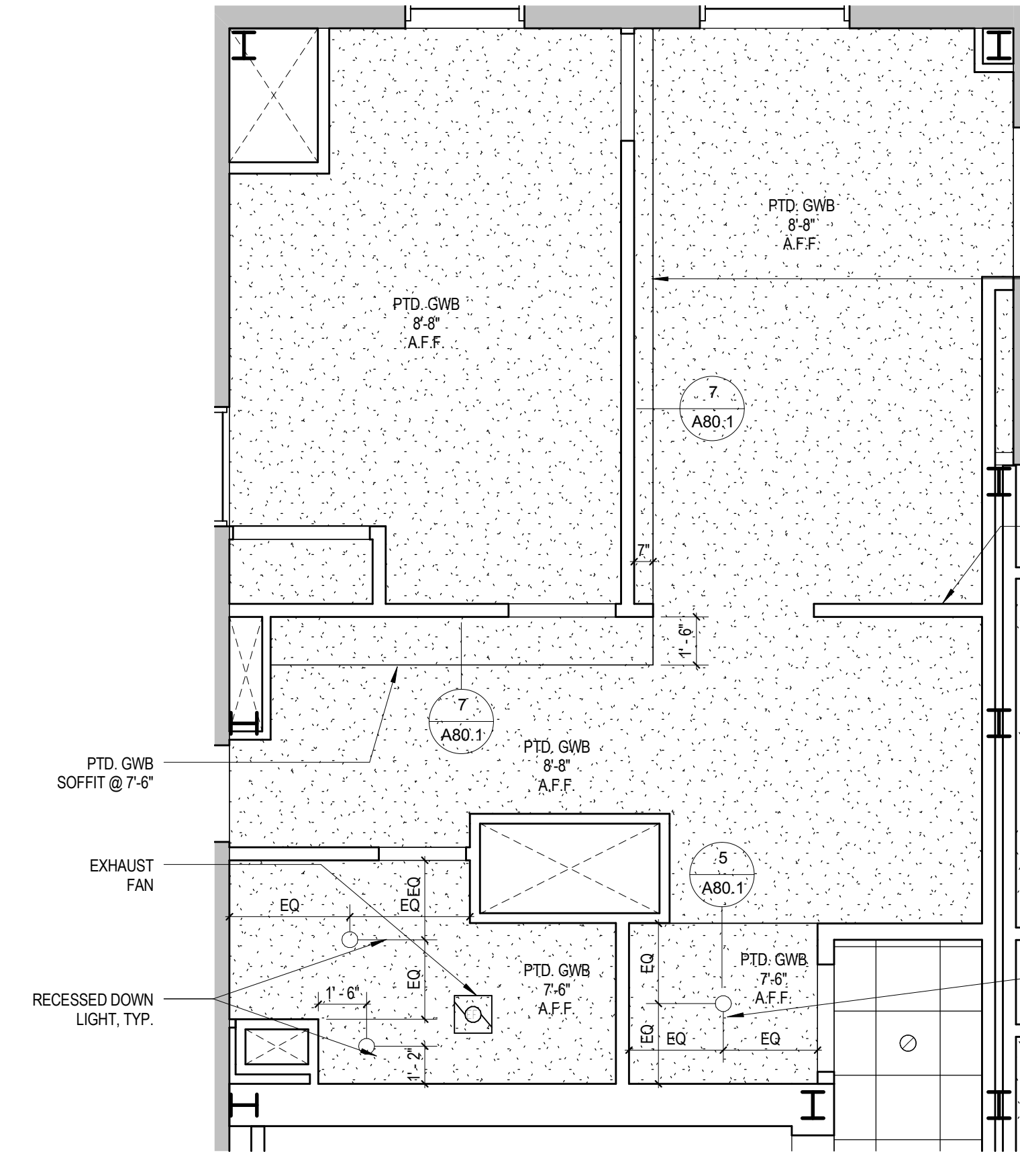
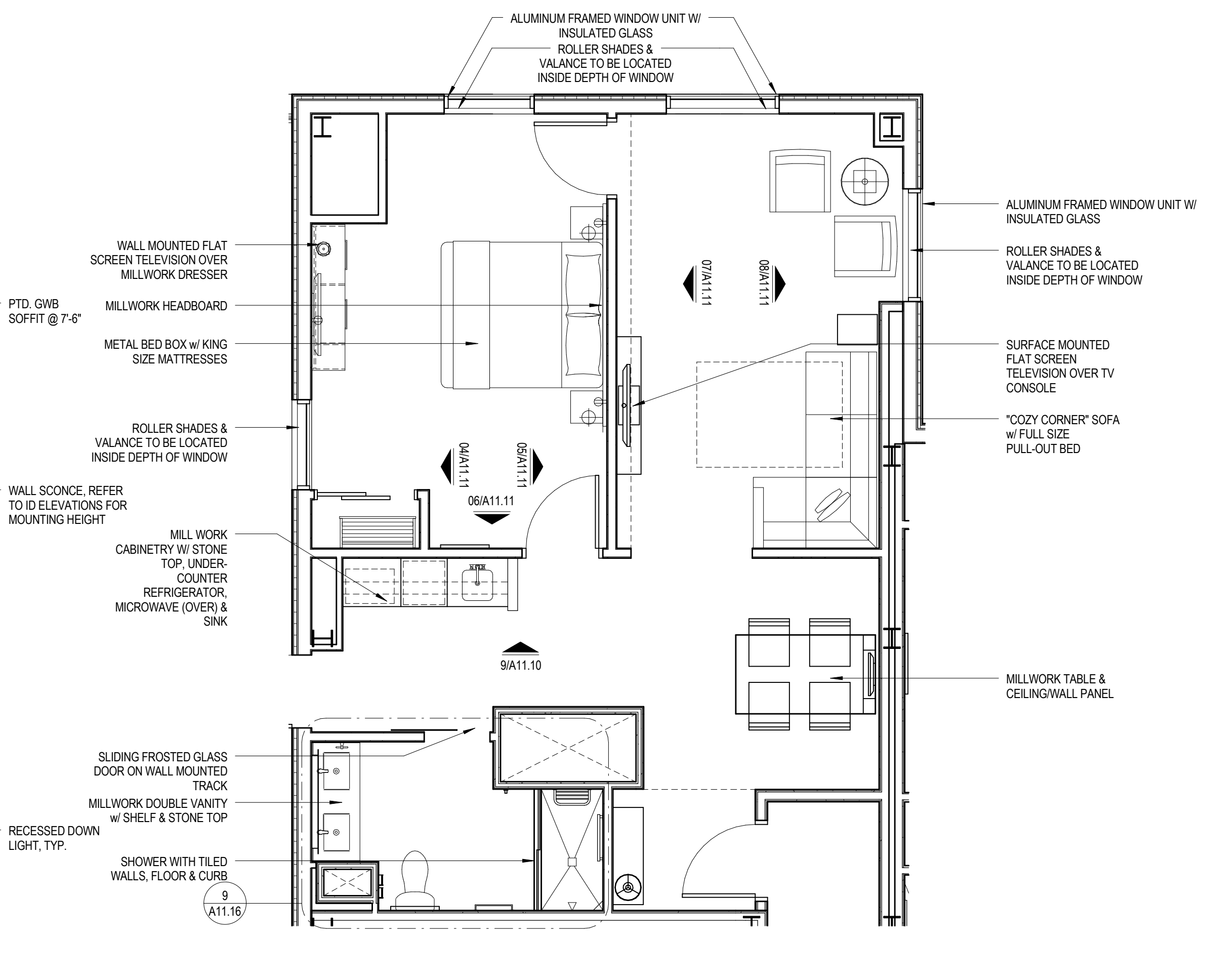


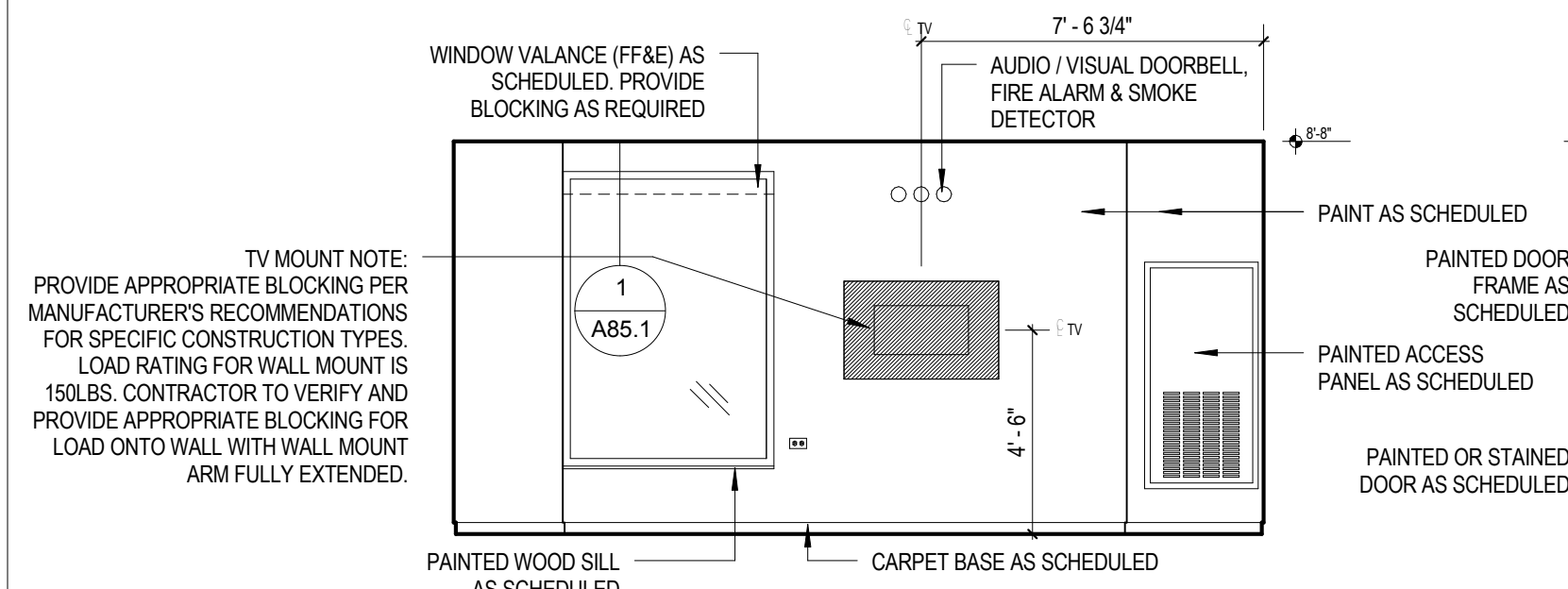
1 KING - TYPE KM CONSTRUCTION PLAN
 1/4" = 1'-0"



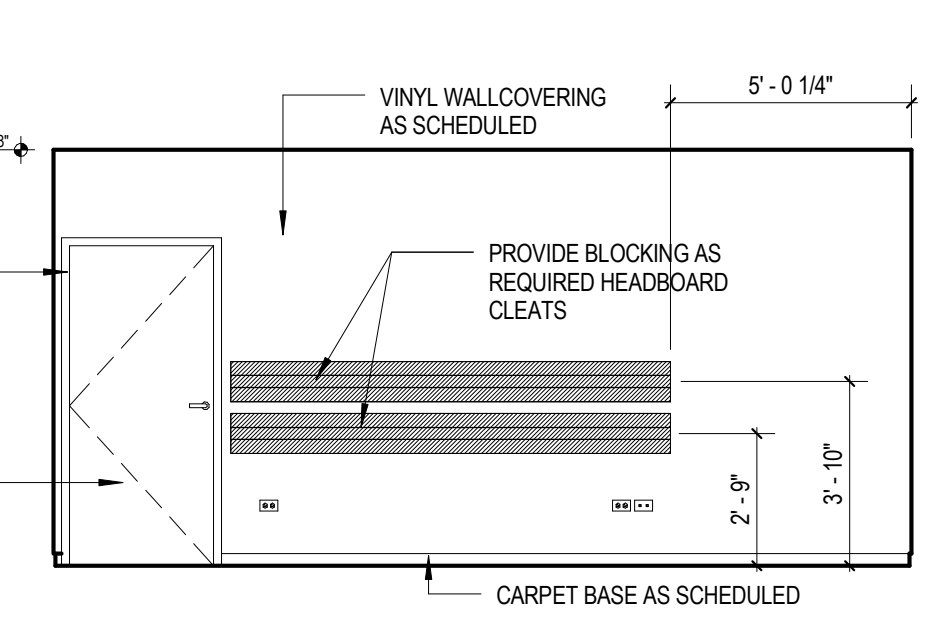
2 KING - TYPE KM - RCP 07
 1/4" = 1'-0"



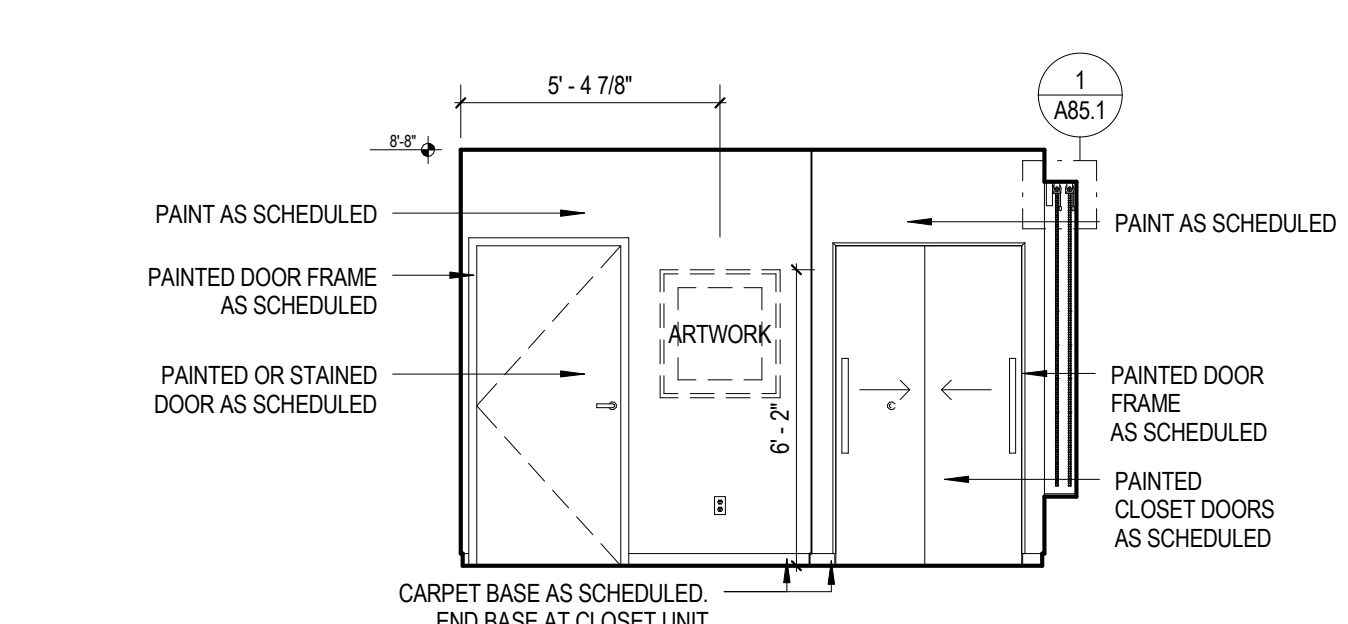
3 KING - TYPE KM FURNITURE PLAN
 1/4" = 1'-0"



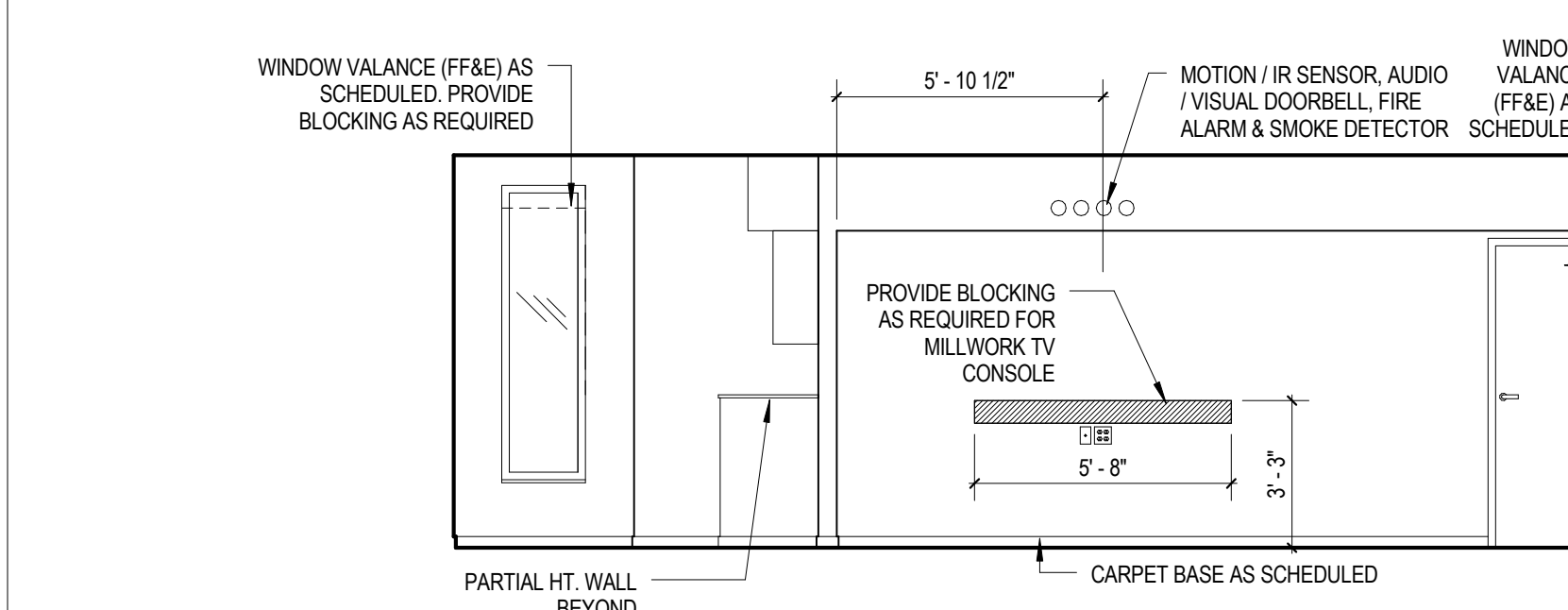
04 GUESTROOM ELEVATION
 SCALE: 1/4" = 1'-0"



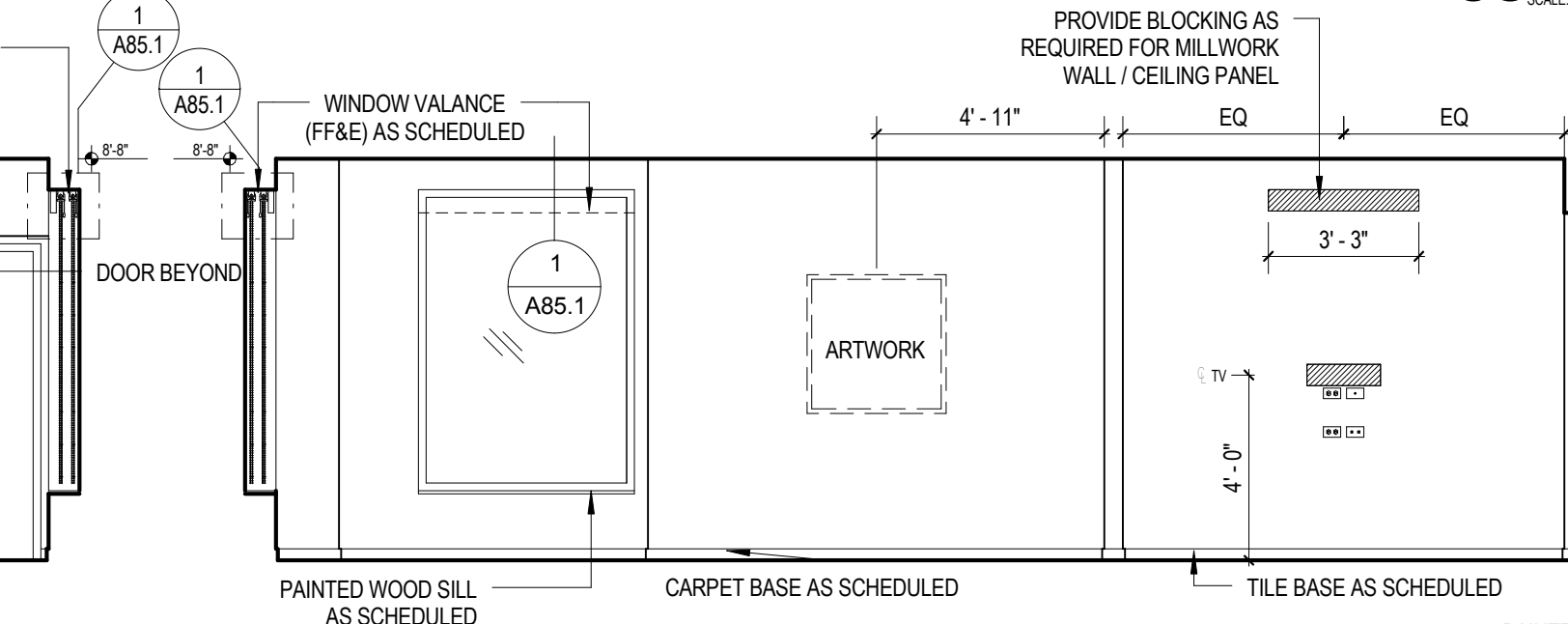
05 GUESTROOM ELEVATION
 SCALE: 1/4" = 1'-0"



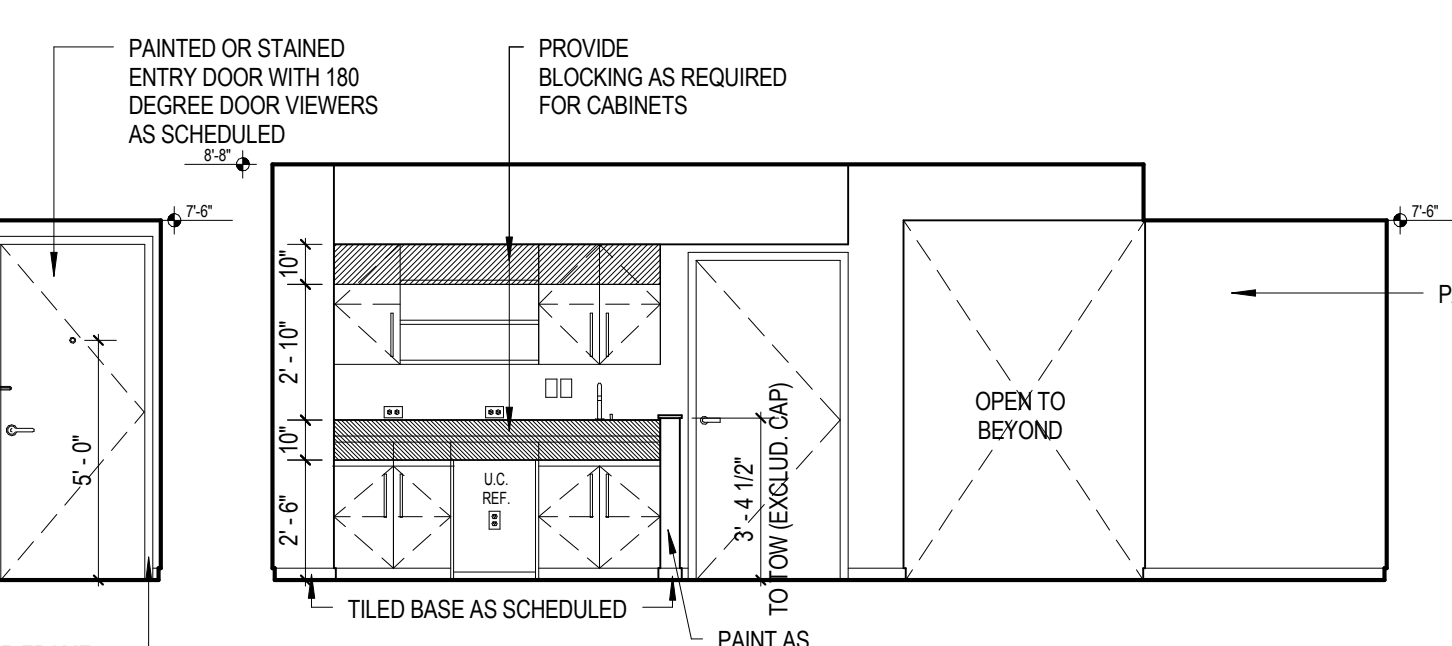
06 GUESTROOM ELEVATION
 SCALE: 1/4" = 1'-0"



07 GUESTROOM ELEVATION
 SCALE: 1/4" = 1'-0"



08 GUESTROOM ELEVATION
 SCALE: 1/4" = 1'-0"



09 GUESTROOM ELEVATION
 SCALE: 1/4" = 1'-0"

- BLOCKING NOTES:**
- All in wall "Blocking" is to be 18 Ga. minimum thickness sheet metal when installed on the same side as the RC-1.
 - In other locations, wood blocking is allowed where acceptable by building code.
 - Blocking used behind areas of high humidity must be galvanized / treated.
 - "In Wall" blocking, when installed in conjunction with RC-1 channels, may NOT be secured to framing and must be sheet metal.
 - Fastening to framing will decrease the STC rating of the assembly and is prohibited.
 - The developer / contractor is responsible for coordination of the blocking size and location.
 - Blocking is typically indicated for mounting of electrical items within the room, however ALL wall and ceiling mounted items must have blocking (unless directly mounted to concrete materials). These items include, but are not limited to the following: window treatments, headboards and wall mounted millwork, ironing board bracket, mirrors, closet rods and shelves, shower rod, towel bars, and grab bars.

Mark	Date	Description

Project Status

ISSUED FOR CONSTRUCTION
 03-01-2013

Drawing Title
**ENLARGED
 GUEST ROOM
 PLANS &
 ELEVATIONS KING
 TYPE KM**

Scale: 1/4" = 1'-0"

Drawing Number