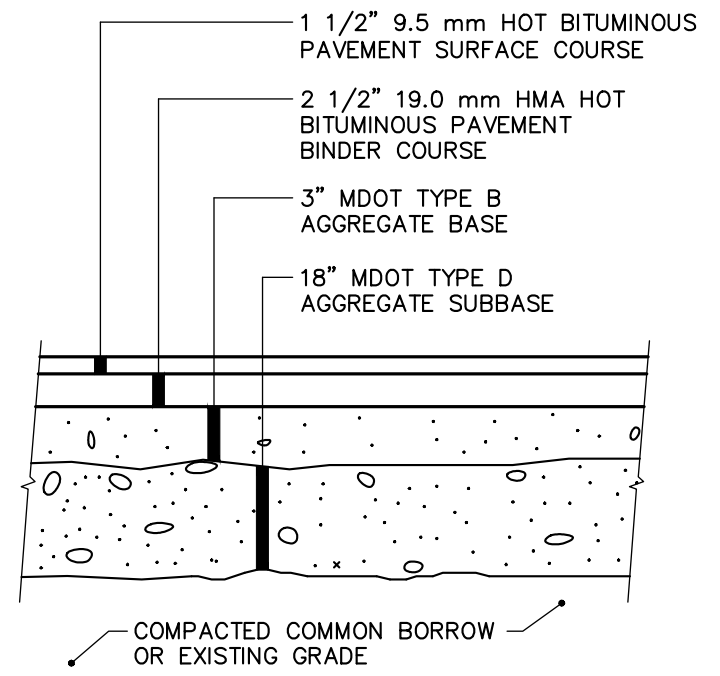


- NOTES:**
- GRIND EXISTING PAVEMENT, TO 1/2" DEPTH.
  - PROVIDE BITUMINOUS TACK COAT ON VERTICAL AND HORIZONTAL SURFACES PRIOR TO PAVING.
  - DETAIL APPLICABLE TO PAVEMENT BUTT JOINTS AT ROADWAY WORK LIMITS. REFER TO PIPE INSTALLATION DTL. OR BITUMINOUS PAVEMENT SECTION DTLs. FOR TRENCH REPAIR REQUIREMENTS.

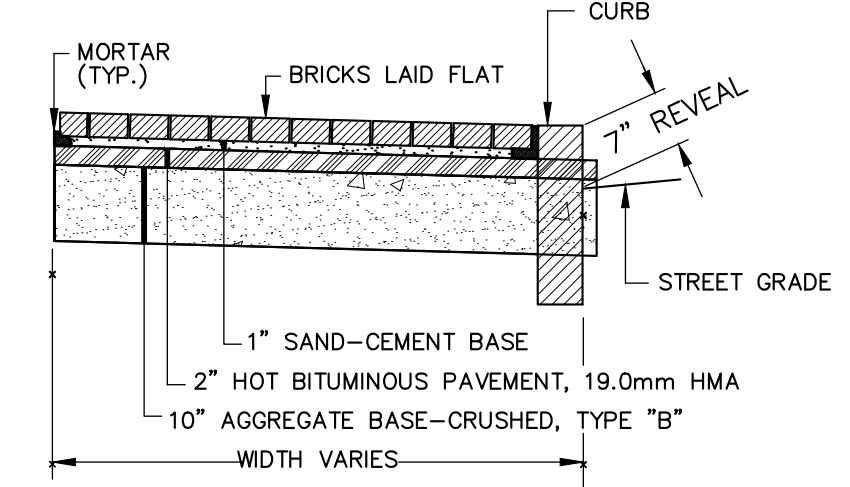


**BITUMINOUS PAVEMENT SECTIONS**  
N.T.S.

**CURB TYPE 1 ON CURVES**

TYPE	RADIUS OF CURVE	LENGTH	STONE IS CUT OR CAST
1	0' TO 60' INCL.	4' MIN.	ARC TO FIT CURVE
	OVER 60' TO 160'	4' TO 6'	STRAIGHT PIECES

**TYPICAL NEW AND RESET CURB INSTALLATION**  
N.T.S.  
NOTE: AGGREGATE TYPES PER MDOT SECTION 304.02



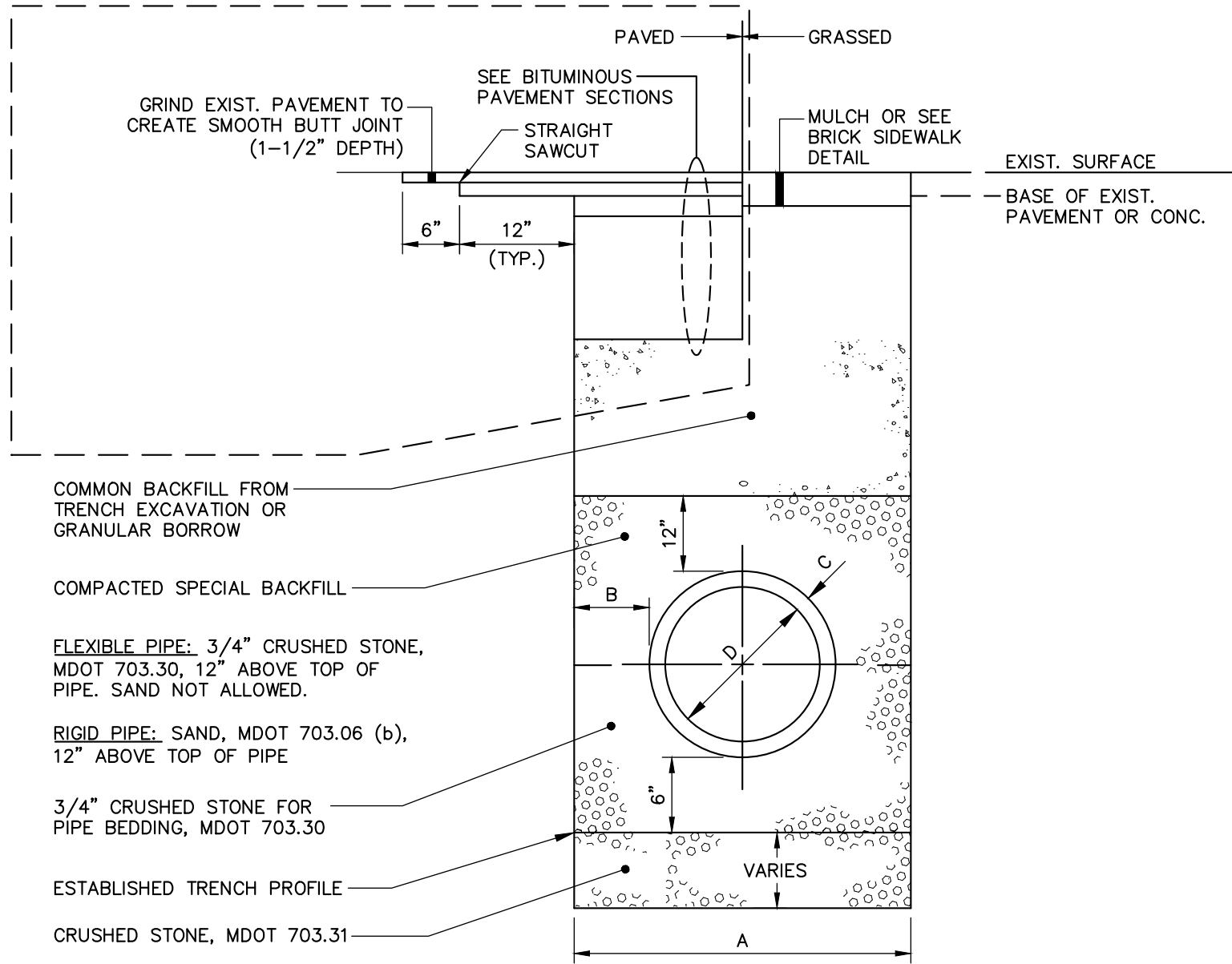
**BRICK SIDEWALK DETAIL**  
N.T.S.  
NOTE: SEE LANDSCAPE PLANS FOR GRANITE PAVER SECTIONS.

**PIPE INSTALLATION DETAIL - NOTES**

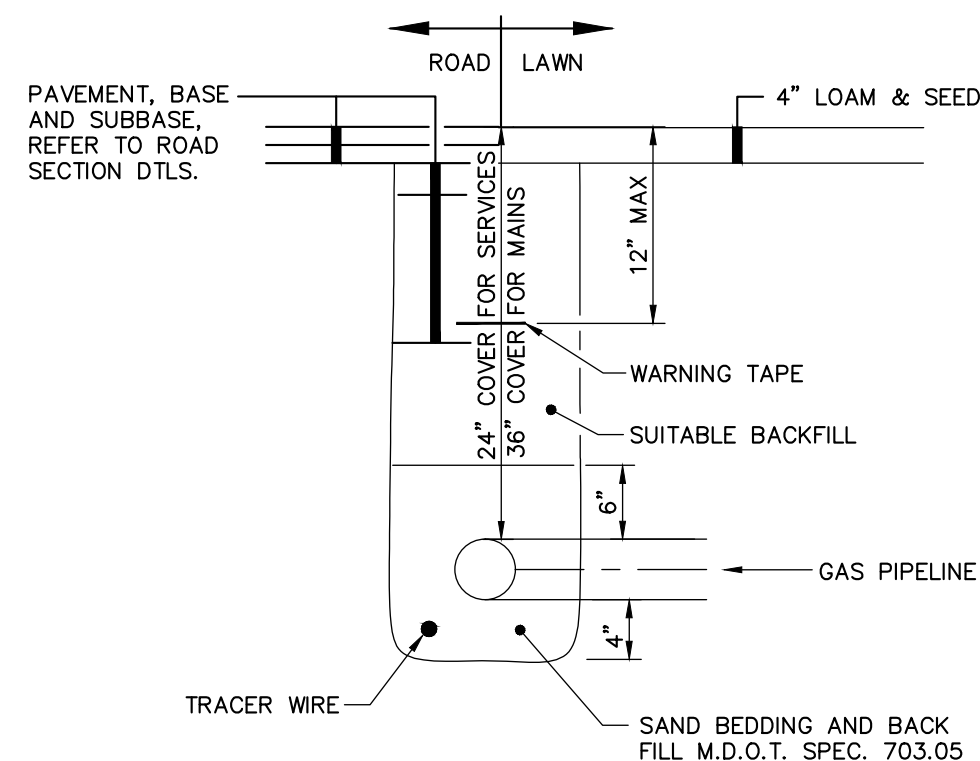
- IN PAVED AREAS, DEPTHS OF GRAVEL AND HOT MIX ASPHALT PAVEMENT SHALL MATCH THE GREATER OF EXISTING CONDITIONS OR THE REQUIREMENTS FOR THE CORRESPONDING STREET CLASSIFICATION.
- DIMENSION "B" SHALL BE SUFFICIENT TO ALLOW CRUSHED STONE BEDDING TO BE PLACED AND COMPACTED UNDER THE HAUNCHES OF THE PIPE, BUT IN ALL CASES "B" SHALL BE AT LEAST 9".
- DIMENSION "A" SHALL BE BASED ON PIPE DIAMETER, AS SET FORTH IN THE FOLLOWING TABLE.

PIPE DIAMETER, "D" (INCHES)	MAX. TRENCH WIDTH, "A" (FEET)
6	4.0
8	4.0
10	4.0
12	4.0
15	4.0
18	5.0
21	5.0
24	5.5
27	6.0
30	6.0
36	7.0
42	8.0
48	8.0

- NOTES:**
- ANY ALTERNATE TRENCHING SHALL BE APPROVED IN ADVANCE BY THE CITY OF PORTLAND, DEPARTMENT OF PUBLIC SERVICES.

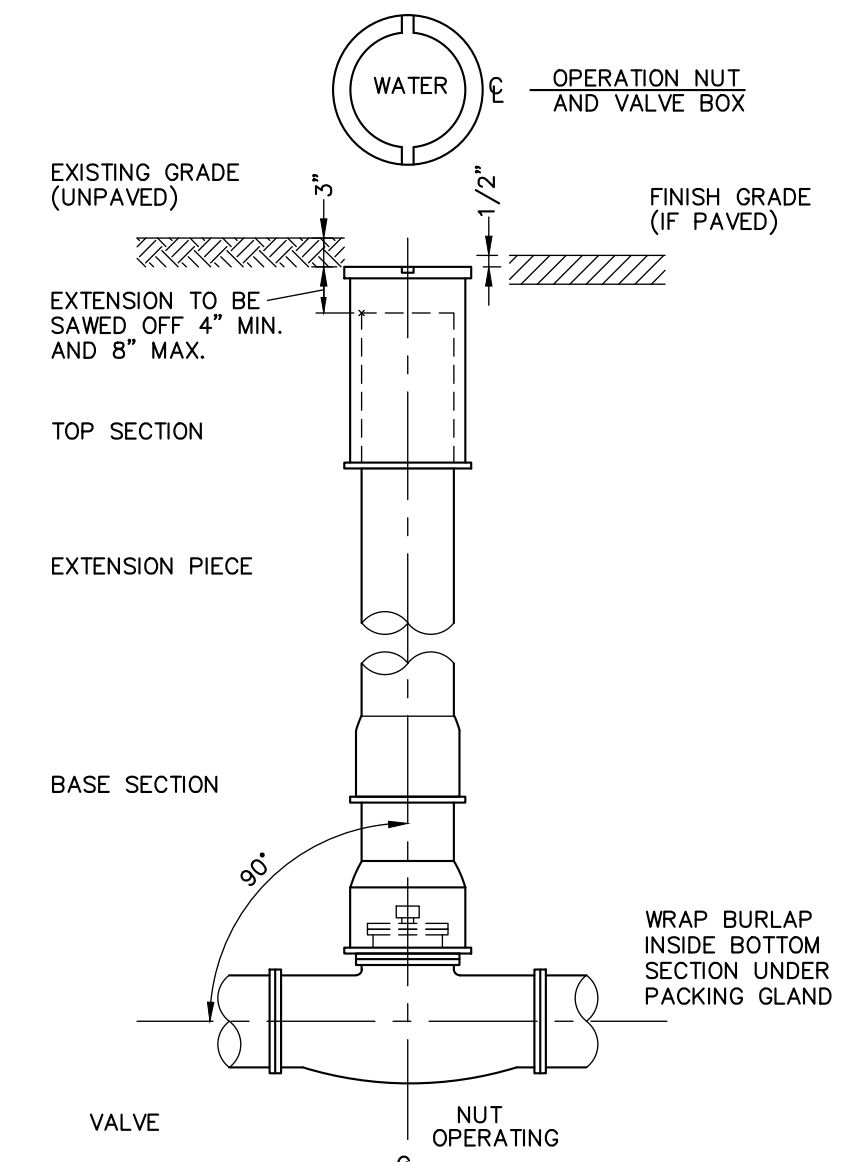


**PIPE INSTALLATION DETAIL**  
N.T.S.

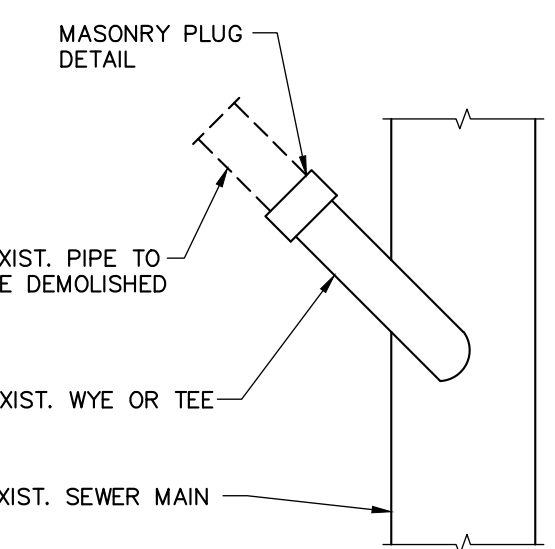


**NATURAL GAS PIPE**  
N.T.S.

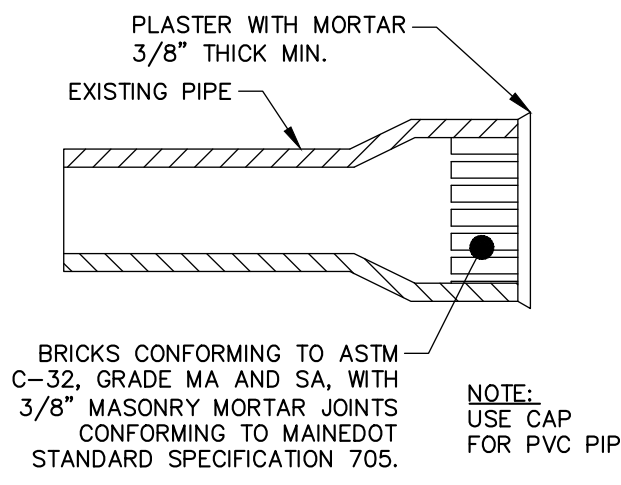
**NOTE:**  
CONTRACTOR SHALL PERFORM EXCAVATION AND PROVIDE BEDDING, BACKFILL, AND SURFACE RESTORATION; UNITIL SHALL PROVIDE PIPING, VALVES AND FITTINGS. CONTRACTOR SHALL COORDINATE ALL WORK WITH UNITIL, INC.



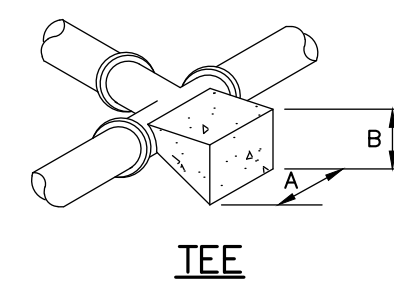
**GATE VALVE WITH VALVE BOX**  
N.T.S.



**MASONRY PLUG @ MAIN**  
N.T.S.



**MASONRY PLUG DETAIL**  
N.T.S.

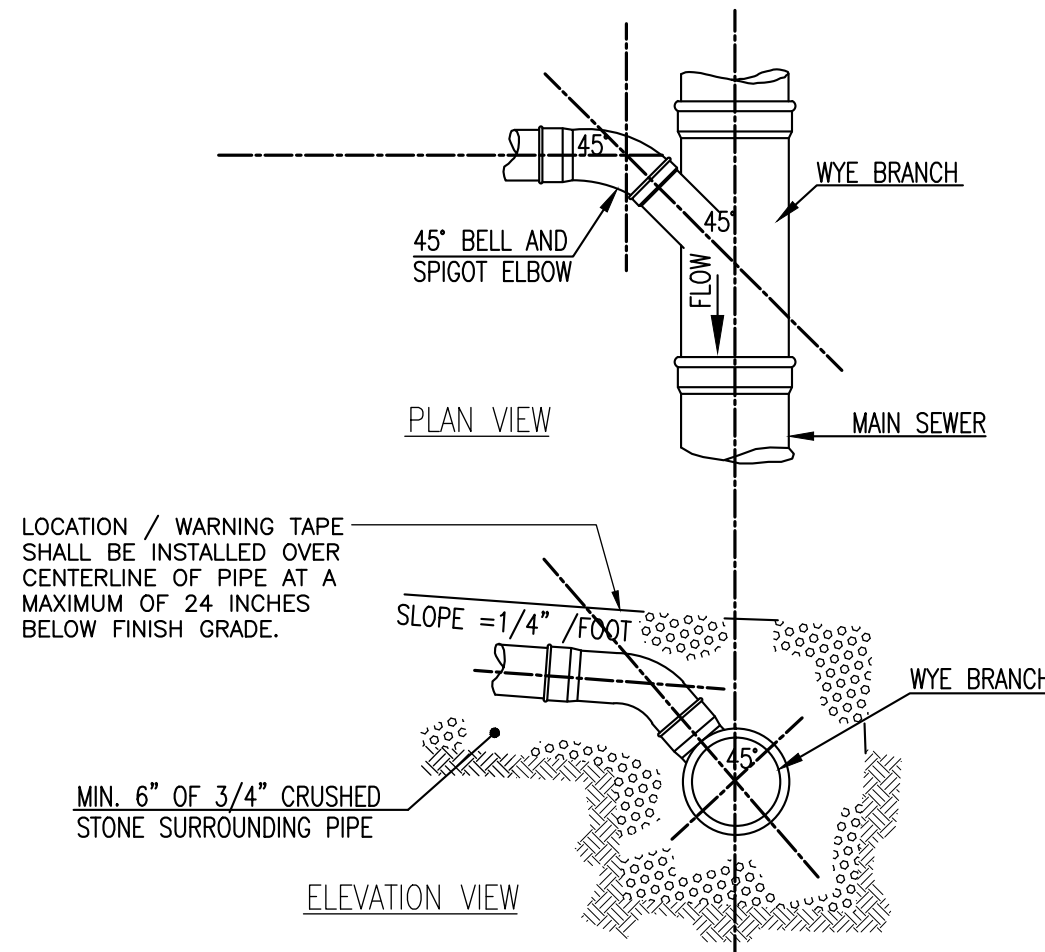


- NOTES:**
- CONCRETE FOR ALL THRUST BLOCKS TO BE MINIMUM 3,000 PSI, 28 DAY STRENGTH, TYPE I CEMENT, 3/4" STONE.
  - WHERE POSSIBLE, CONSTRUCT THRUST BLOCKS AGAINST UNDISTURBED SOIL. WHERE NOT POSSIBLE, PLACE FILL BETWEEN THE THRUST BLOCK AND THE UNDISTURBED SOIL COMPACTED TO 90% STANDARD PROCTOR DENSITY.
  - WRAP FITTINGS WITH POLYETHYLENE PRIOR TO CONSTRUCTING THRUST BLOCKS. NO JOINTS SHALL BE COVERED WITH CONCRETE.
  - THRUST BLOCK DIMENSIONS ARE BASED ON A MAXIMUM WATER MAIN PRESSURE OF 150 PSI.

**TABLE 1: 4" THRU 10" FITTINGS**

SOIL TYPE	TEES		BENDS	
	A	B	A	B
SOFT CLAY	48"	24"	48"	24"
SAND	24"	24"	24"	24"
GRAVEL	24"	18"	24"	18"

**TYPICAL THRUST BLOCK DETAIL**  
N.T.S.



**TYPICAL SEWER LATERAL WYE CONNECTION DETAILS**  
N.T.S.  
NOTE: FOR INSERTA TEE CONNECTIONS TO SEWER AND STORMDRAIN MAINS, REFER TO MANUFACTURER'S INSTALLATION INSTRUCTIONS.

41 Hutchins Drive  
Portland, Maine 04102  
800.426.4262 | www.woodardcurran.com

**WOODARD & CURRAN**

COMMITMENT & INTEGRITY DRIVE RESULTS

STATE OF MAINE  
DENISE  
CARRON  
No. 11279  
Professional Seal

NO.	DATE	DESCRIPTION	CHECKED BY	DATE
1	1/25/13	ISSUED FOR CONSTRUCTION	MDLM	
2	11/16/2012	RESPONSE TO COMMENTS	MDLM	
3	10/19/2012	FINAL SITE PLAN APPLICATION SUBMISSION	MDLM	
4	9/28/2012	DESIGNED BY	MDLM	
5		DRAWN BY	JBC	

**CIVIL DETAILS - 2**

COW PLAZA HOTEL, LLC  
100 COMMERCIAL STREET, SUITE 306  
PORTLAND, MAINE, C/O TIM SOLEY

HYATT PLACE  
PORTLAND - OLD PORT  
433 FORE STREET  
PORTLAND, ME

JOB NO.: 225869.01  
DATE: NOVEMBER 2012  
SCALE: AS NOTED  
SHEET: 7 OF 12

**C-301**