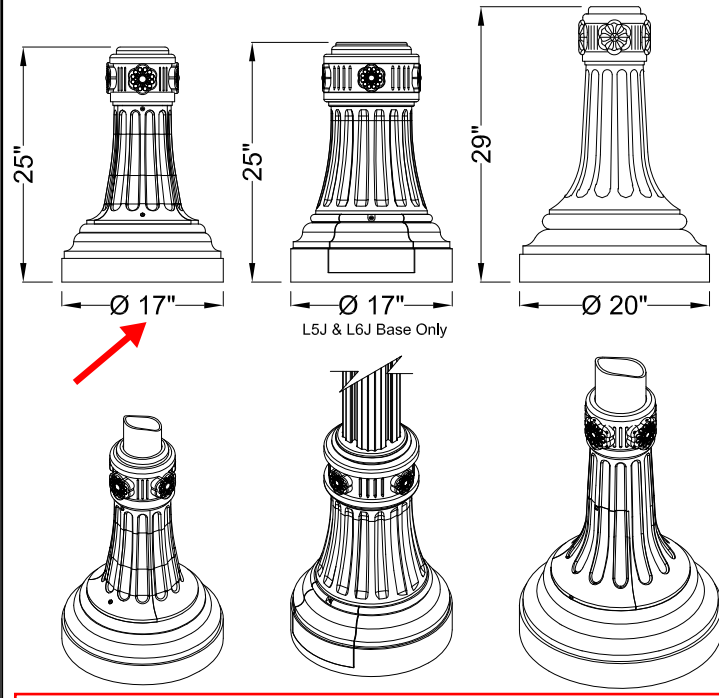


City of Portland- Old Port District



catalog# NYA 11 FTJ 17 PO7 ABG BK R121A

**NORTH YORKSHIRE**  
Aluminum Pole  
Architectural  
Outdoor

ORDERING INFORMATION:

NY	A	Height	Shaft Style
Post	Material		
NY = North Yorkshire	A = Aluminum	08 = 8' 09 = 9' 10 = 10' 11 = 11' 12 = 12' 13 = 13' 14 = 14' 16 = 16' 18 = 18' 20 = 20' 22 = 22'	17" Base FTJ 09 = 8-7" 11 = 10-7" 13 = 12-7" 14 = 14-1" 20" Base FTJ 09 = 8-11" 11 = 10-11" 13 = 12-11" 14 = 14-5"

Base	Tenon	Mounting	Finish
17 = 17" Round (TMP-85) (L4E = TMP40008) (L5J & L6J = TMP40010) 20 = 20" Round (TMP-99)	P01 = POLE CAP P05 = 3" O.D. X 4" LG. P07 = 3" O.D. X 3" LG. P08 = 3" O.D. X 5" LG. P09 = 3" O.D. X 6" LG. P10 = 3" O.D. X 9" LG. P11 = 4.38 O.D. x 12" LG. (3" O.D. = ACTUAL SIZE IS 2.88" O.D.)	P12 = 3" O.D. X 12" LG. P13 = 3" O.D. X 8" LG. P14 = 3" O.D. X 14" LG. P15 = 3.5" O.D. X 8" LG. P16 = 4.5" O.D. X 10" LG. PT1 = VGC Plate	ABG = Anchor Bolts Galvanized Steel LAB = Less Anchor Bolts DBB = Direct Burial Base Galvanized Steel BK = Black BD = Dark Blue BZ = Bronze GH = Graphite GN = GREEN GR = Gray PP = Prime Painted SL = Silver WH = White

**SPECIFICATIONS**

**DESCRIPTION**  
The lighting post shall be all aluminum, one-piece construction, with a classic tapered and fluted base design.

**MATERIALS**  
The base shall be heavy wall, cast aluminum produced from certified ASTM 356.1 ingot per ASTM B-179-95a or ASTM B26-95. The straight shafts shall be extruded from aluminum, ASTM 6061 alloy, heat treated to a T6 temper. The tapered shaft shall be extruded from aluminum, ASTM 6063 alloy, spun to a tapered shape, then heat treated to a T6 temper. All hardware shall be tamper resistant stainless steel. Anchor bolts to be completely hot dip galvanized.

**CONSTRUCTION**  
The shaft shall be double welded to the base casting and shipped as one piece for maximum structural integrity. The shaft shall be welded inside the base casting at the top of the access door, and externally where the shaft exits the base. All welding shall be per ANSI/AWS

**DIMENSIONS**  
The post shall be X'- XX" in height with a 17" or 20" diameter base. The shaft diameter shall be XX". At the top of the post, an integral tenon with a transitional donut shall be provided for luminaire mounting.

**INSTALLATION**  
The post shall be provided with four, hot dip galvanized L-type anchor bolts. A door shall be provided in the base for anchorage and wiring access. A grounding screw shall be provided inside the base opposite the door.

**Options**  
EXXXY<sup>2</sup> = Provision for eye bolt.  
LXXX<sup>2</sup> = Large provision.  
RXXX<sup>2</sup> = Receptacle provision.  
SXXX<sup>2</sup> = Small provision.  
FGB = Receptacle inside base.

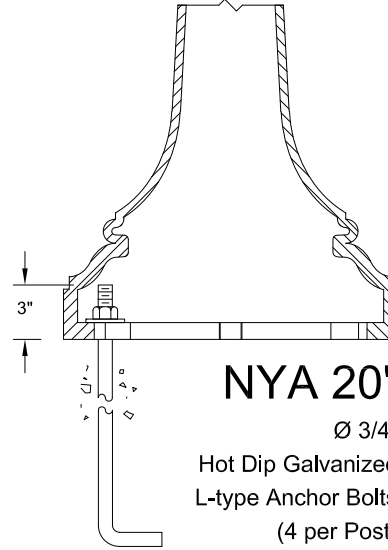
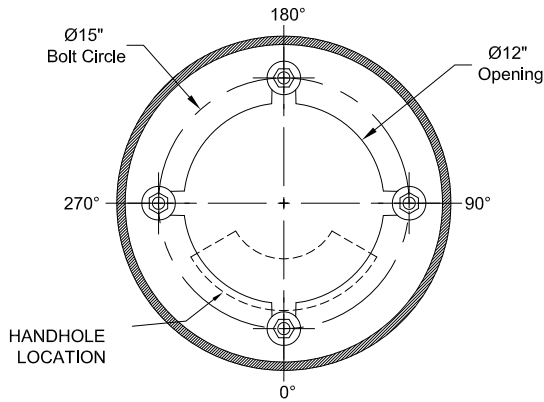
**HOLOPHANE**  
LEADER IN LIGHTING SOLUTIONS  
An Acuity Brands Company  
© 2010 Acuity Brands Lighting, Inc., All Rights Reserved

THIS DRAWING, WHEN APPROVED, SHALL BECOME THE COMPLETE SPECIFICATION FOR THE MATERIAL TO BE FURNISHED BY HOLOPHANE ON THE ORDER NOTED ABOVE. A UNIT OF SIMILAR DESIGN MAY BE SUBMITTED FOR CONSIDERATION AS AN ALTERNATE. ALL DIMENSIONS ARE TO BE SHOWN UNLESS OTHERWISE NOTED. ALL DIMENSIONS SHALL BE SUPPLIED WITH EACH ANCHOR BOLT ORDER TO MATCH THE POLE LOANED SUBJECT TO RETURN UPON DEMAND AND UPON EXPRESS WRITTEN AGREEMENT TO OUR INTERESTS AND ONLY IN CONNECTION WITH MATERIAL FURNISHED BY HOLOPHANE.

ORDER #:	
TYPE:	
DRAWN:	KRW
DATE:	4/21/11
DWG #:	POL_NYA

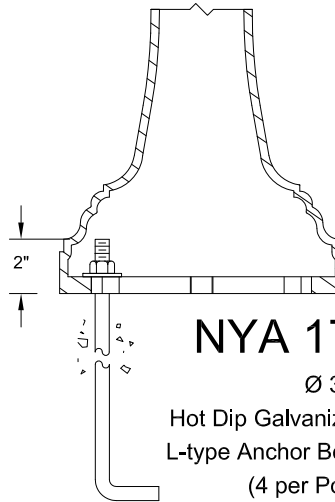
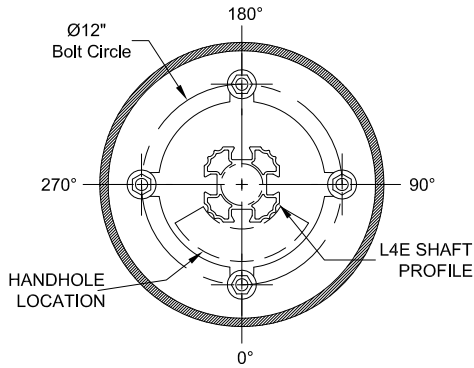
<sup>2</sup> - Replace "XXX" with height from grade (inches), can be up to 3 digits. Must use whole numbers. Leading zeros are not used. Replace Y with orientation from hand hole (A=0, B=90, C=180, D=270). Add multiple provisions as necessary to cover each location. Must validate EPA restrictions for banners.

# ANCHORAGE GUIDE



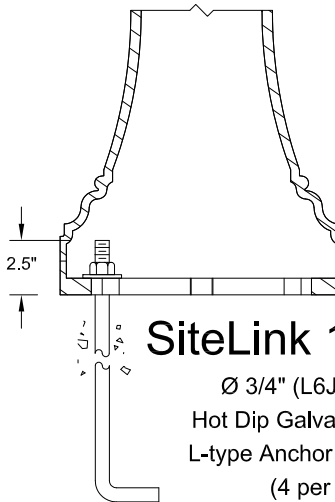
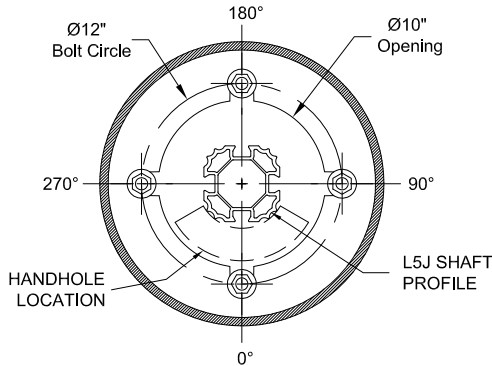
**NYA 20"**

Ø 3/4"  
Hot Dip Galvanized  
L-type Anchor Bolts  
(4 per Post)



**NYA 17"**

Ø 3/4"  
Hot Dip Galvanized  
L-type Anchor Bolts  
(4 per Post)



**SiteLink 17"**

Ø 3/4" (L6J Ø1")  
Hot Dip Galvanized  
L-type Anchor Bolts  
(4 per Post)

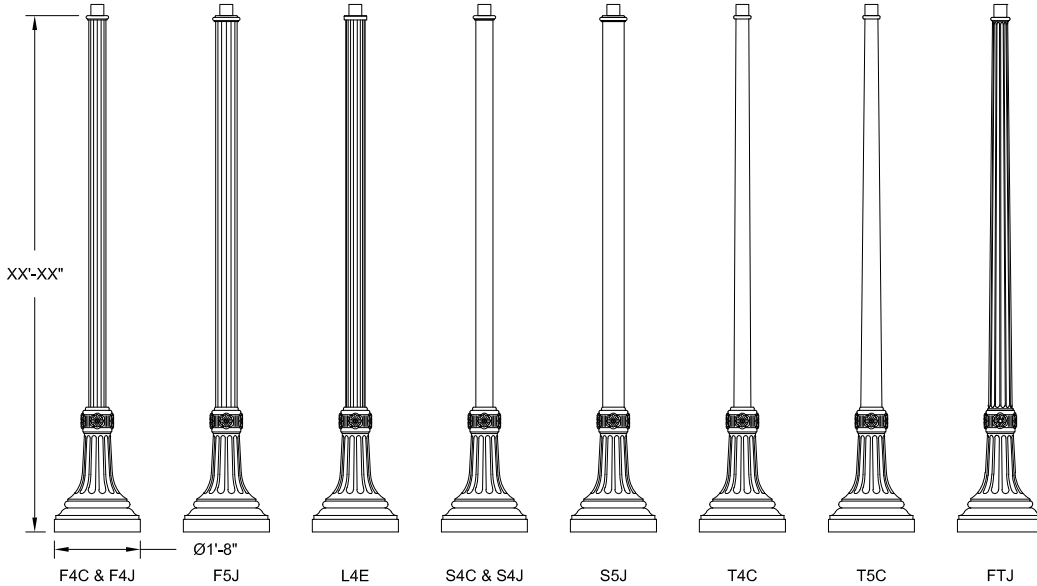
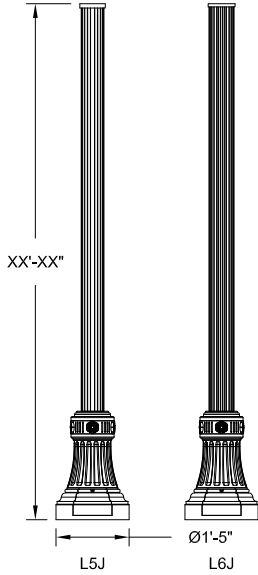
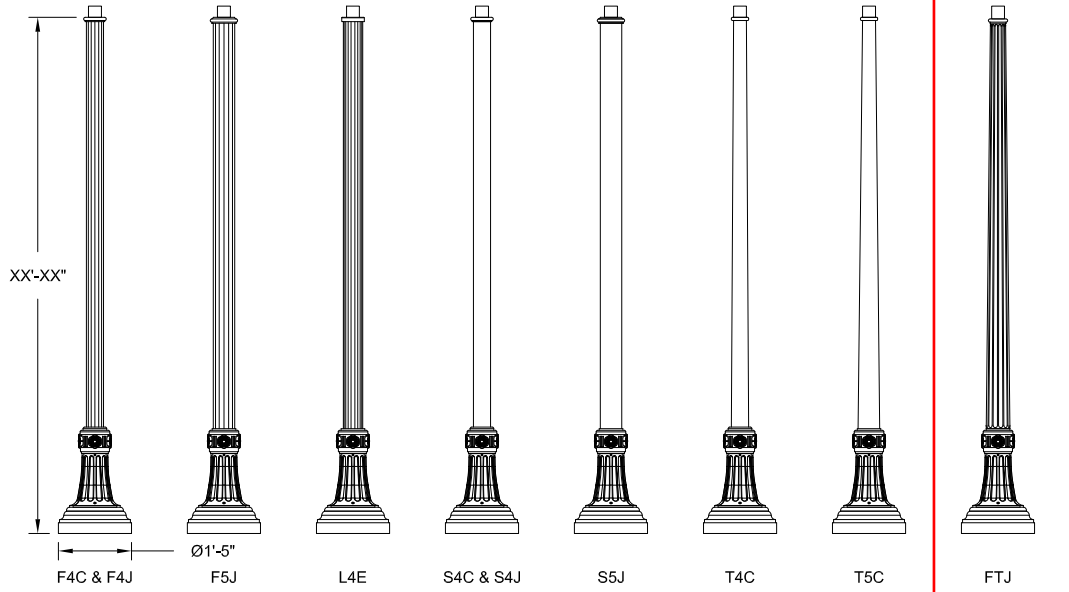
**NORTH YORKSHIRE**<sup>TM</sup>  
**Aluminum Pole**

**Architectural  
Outdoor**

**HOLOPHANE**<sup>®</sup>  
LEADER IN LIGHTING SOLUTIONS  
An Acuity Brands Company  
© 2010 Acuity Brands Lighting, Inc., All Rights Reserved

THIS DRAWING, WHEN APPROVED, SHALL BECOME THE COMPLETE SPECIFICATION FOR THE MATERIAL TO BE FURNISHED BY HOLOPHANE ON THE ORDER NOTED ABOVE. A UNIT OF SIMILAR DESIGN MAY BE SUBSTITUTED FOR THE UNIT ORDERED WITHOUT NOTICE. THE VISIBLE POLE ORDER, ANCHOR BOLT TEMPLATE PRINT WILL BE SUPPLIED WITH EACH ANCHOR BOLT ORDER TO MATCH THE POLE PROVIDED. THIS PRINT IS THE PROPERTY OF HOLOPHANE AND IS LOANED SUBJECT TO RETURN UPON DEMAND AND UPON EXPRESS WRITTEN NOTICE TO OUR INTERESTS, AND ONLY IN CONNECTION WITH MATERIAL FURNISHED BY HOLOPHANE.

ORDER #:	
TYPE:	
DRAWN:	KRW
DATE:	03/22/11
DWG #:	POL_NYA



Architectural  
Outdoor

**HOLOPHANE**<sup>®</sup>  
LEADER IN LIGHTING SOLUTIONS  
An Acuity Brands Company  
© 2010 Acuity Brands Lighting, Inc., All Rights Reserved

THIS DRAWING, WHEN APPROVED, SHALL BECOME THE COMPLETE SPECIFICATION FOR THE MATERIAL TO BE FURNISHED BY HOLOPHANE ON THE ORDER NOTED ABOVE. A UNIT OF SIMILAR DESIGN MAY BE SUBSTITUTED FOR THE UNIT ORDERED WITHOUT NOTICE. THE VERTICAL POLE ORDERED WITH ANCHORS, BOLT, TIE, OR PLATE PRINT WILL BE SUPPLIED WITH EACH ANCHOR BOLT ORDER TO MATCH THE POLE PROVIDED. THIS PRINT IS THE PROPERTY OF HOLOPHANE AND IS LOANED SUBJECT TO RETURN UPON DEMAND AND UPON EXPRESS WRITTEN NOTICE TO OUR INTERESTS, AND ONLY IN CONNECTION WITH MATERIAL FURNISHED BY HOLOPHANE.

ORDER #:	
TYPE:	
DRAWN:	KRW
DATE:	03/22/11
DWG #:	POL_NYA

**NORTH YORKSHIRE**<sup>TM</sup>  
Aluminum Pole