

Esplanade[®]

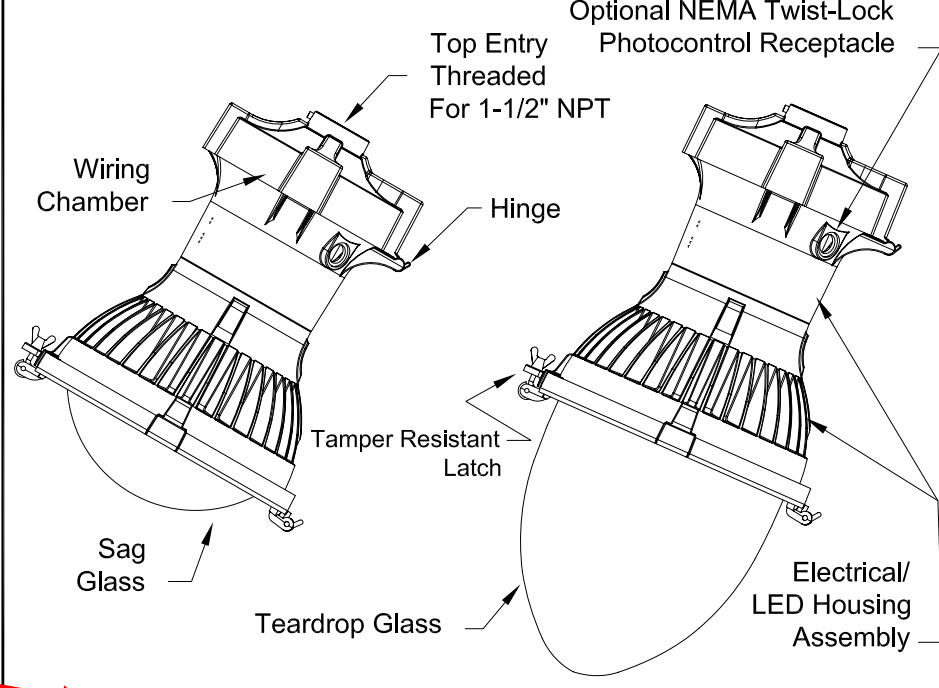
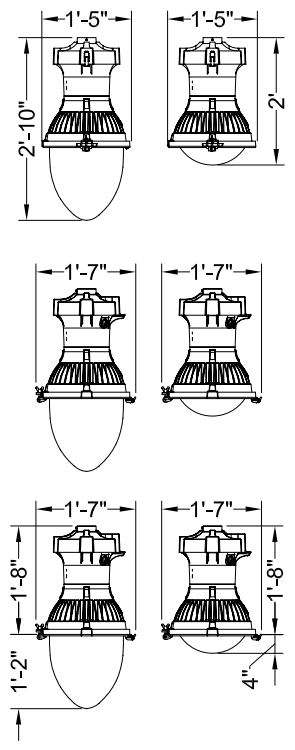
LED

DECORATIVE
OUTDOOR



©2011 ACUITY BRANDS LIGHTING INC., All Rights Reserved

Maximum Effective Projected Area - 2.37 ft²

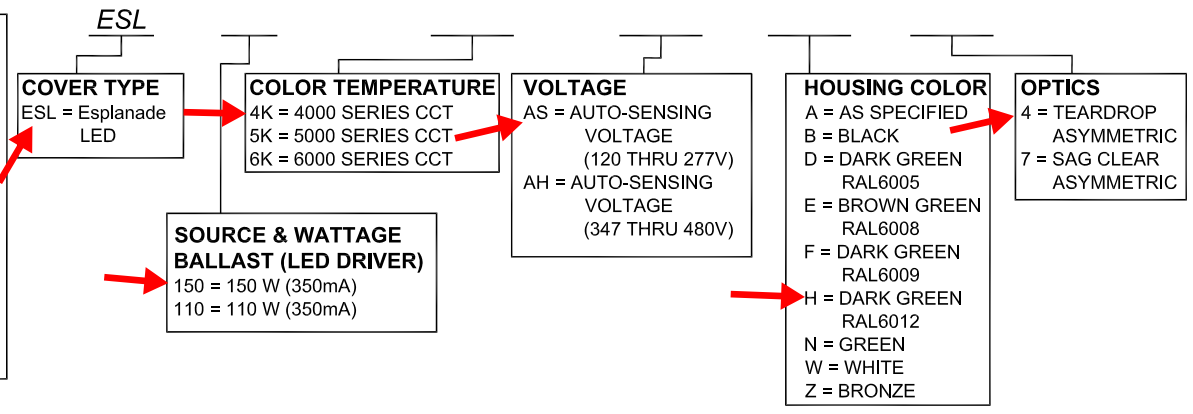


City of Portland- Congress Street District- roadway fixture

EXAMPLE:

ESL 150 6K AS B 4

ORDERING INFORMATION:



OPTIONS

ACCESSORIES

OPTIONS

- DS= DECORATIVE DEEP SKIRT
- SS= DECORATIVE SHALLOW SKIRT
- R = NEMA TWIST-OFF PHOTOCONTROL RECEPTACLE
- DM = 0-10V DIMMING
- L1H = 1.5 FT. PREWIRED LEADS
- L03 = 3 FT. PREWIRED LEADS
- L10 = 10 FT. PREWIRED LEADS
- L20 = 20 FT. PREWIRED LEADS
- L25 = 25 FT. PREWIRED LEADS
- L30 = 30 FT. PREWIRED LEADS
- PCS = DTL SOLID-STATE LIGHTING PHOTOCONTROL 120-277 VOLT (MUST BE USED WITH OPTION "R")
- P34 = DTL TWIST-LOCK PHOTOCONTROL 347V (USED WITH OPTION "R")
- P48 = DTL TWIST-LOCK PHOTOCONTROL 480V (USED WITH OPTION "R")
- PSC = SHORTING CAP (USED WITH OPTION "R")
- EL = EXTENDED LIFE (120-277V ONLY)

ACCESSORIES

- SPDPLUGIN = REPLACEMENT SURGE PROTECTOR 120-277V
- SPDPLUGIN-48 = REPLACEMENT SURGE PROTECTOR 347-480V

catalog # ESL 150 4K AS H 4 R PCS

THIS DRAWING, WHEN APPROVED, SHALL BECOME THE COMPLETE SPECIFICATION FOR THE MATERIAL TO BE FURNISHED BY HOLOPHANE ON THE ORDER NOTED ABOVE. A UNIT OF SIMILAR DESIGN MAY BE SUPPLIED, BUT ONLY AFTER APPROVAL BY THE CUSTOMER IN WRITING. ON POLE ORDERS AN ANCHOR BOLT TEMPLATE PRINT WILL BE PROVIDED. THIS PRINT IS THE PROPERTY OF HOLOPHANE AND IS LOANED SUBJECT TO RETURN UPON DEMAND AND UPON EXPRESS CONDITION THAT IT WILL NOT BE USED DIRECTLY OR INDIRECTLY IN ANY WAY DETRIMENTAL TO OUR INTERESTS, AND ONLY IN CONNECTION WITH MATERIAL FURNISHED BY HOLOPHANE.

ORDER #:	
TYPE:	
DRAWN:	SGK
DATE:	5/4/11
DWG NO:	LUM_ESL

Specifications

DESCRIPTION

The Esplanade luminaire is styled to replicate the "teardrop" luminaires that lighted boulevards in the first half of this century. Designed for light control and ease of installation and maintenance, the Esplanade has a precision optical system for true street lighting performance.

WIRING CHAMBER

The wiring chamber has a 1-1/2 inch, gasketed, NPT threaded entry for pendant mounting. A stainless steel set screw locks the unit in position. A three station terminal block will accept #16 through #8 wires and is prewired to one half of the plug assembly that connects to the removable electrical module.

ELECTRICAL / REFLECTOR ASSEMBLY

The electrical / reflector assembly hinges down from the wiring chamber for ease in wiring and to facilitate the removal of the electrical module. The assembly is secured in place by a stainless steel latch. The unitized electrical module consists of the electronic driver and components mounted to an aluminum plate that is easily removed by loosening two screws in keyhole slots. The disconnect plug connects the ballast to the terminal block in the wiring chamber.

REFRACTOR / DOOR ASSEMBLY

The cast aluminum door supports a teardrop or sag shaped, thermal resistant borosilicate glass refractor that controls the light to provide an I.E.S. asymmetric cut off distribution. The combination of reflector, refractor maximize efficiency and uniformity of illumination while controlling luminaire brightness. The refractor assembly and decorative skirt (when applicable) assembly hinges from the electrical / reflector assembly and is latched by a tamper-resistant, color matched bracket and wing nut assembly.

BALLAST

LED driver (see other page)

FINISH / MATERIAL

The luminaire is finished with polyester powder paint to insure maximum durability. All castings utilize low copper aluminum for maximum corrosion resistance and all exposed hardware is stainless steel.

CUL/U.L. LISTING

CUL/U.L. listing suitable for wet locations up to 40 degrees C.

IP RATING 66

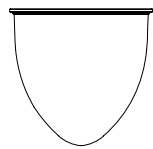
Esplanade[®]
LED

DECORATIVE
OUTDOOR

HOLOPHANE[®]
LEADER IN LIGHTING SOLUTIONS
An Acuity Brands Company

THIS DRAWING, WHEN APPROVED, SHALL BECOME THE COMPLETE SPECIFICATION FOR THE MATERIAL TO BE FURNISHED BY HOLOPHANE ON THE ORDER NOTED ABOVE. A UNIT OF SIMILAR DESIGN MAY BE SUPPLIED, BUT ONLY AFTER APPROVAL BY THE CUSTOMER IN WRITING. ON FOLE ORDERS AN ANCHOR BOLT TEMPLATE PRINT WILL BE PROVIDED. THIS PRINT IS THE PROPERTY OF HOLOPHANE AND IS LOANED SUBJECT TO RETURN UPON DEMAND AND UPON EXPRESS CONDITION THAT IT WILL NOT BE USED DIRECTLY OR INDIRECTLY IN ANY WAY DETRIMENTAL TO OUR INTERESTS, AND ONLY IN CONNECTION WITH MATERIAL FURNISHED BY HOLOPHANE.

©2011 ACUITY BRANDS LIGHTING INC., All Rights Reserved

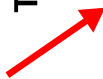


Teardrop Glass
Asymmetric



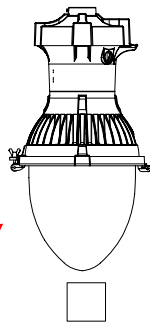
Sag Glass
Symmetric

Teardrop Glass
Asymmetric

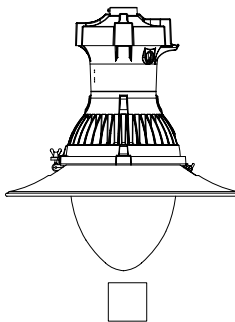


Sag Glass
Symmetric

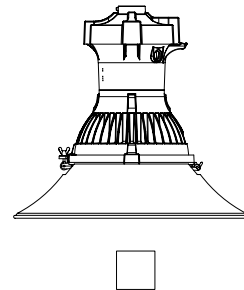
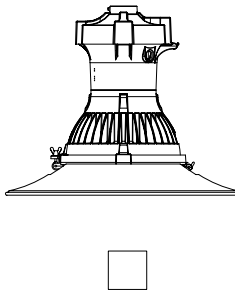
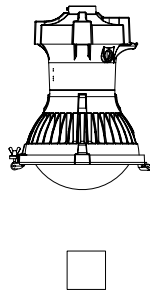
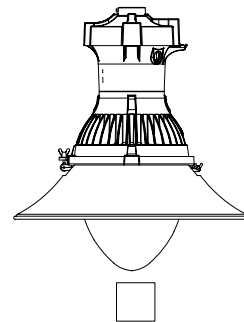
Standard



Shallow Skirt

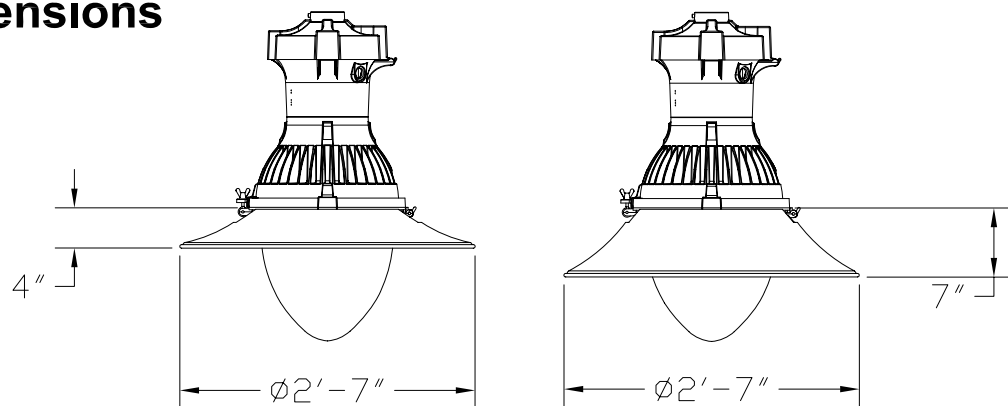


Deep Skirt



Mark Appropriate
Box for Trim Option

Skirt Dimensions



ORDER #: _____
TYPE: _____
DRAWN: SGK
DATE: 5/4/11
DWG NO: LUM_ESL