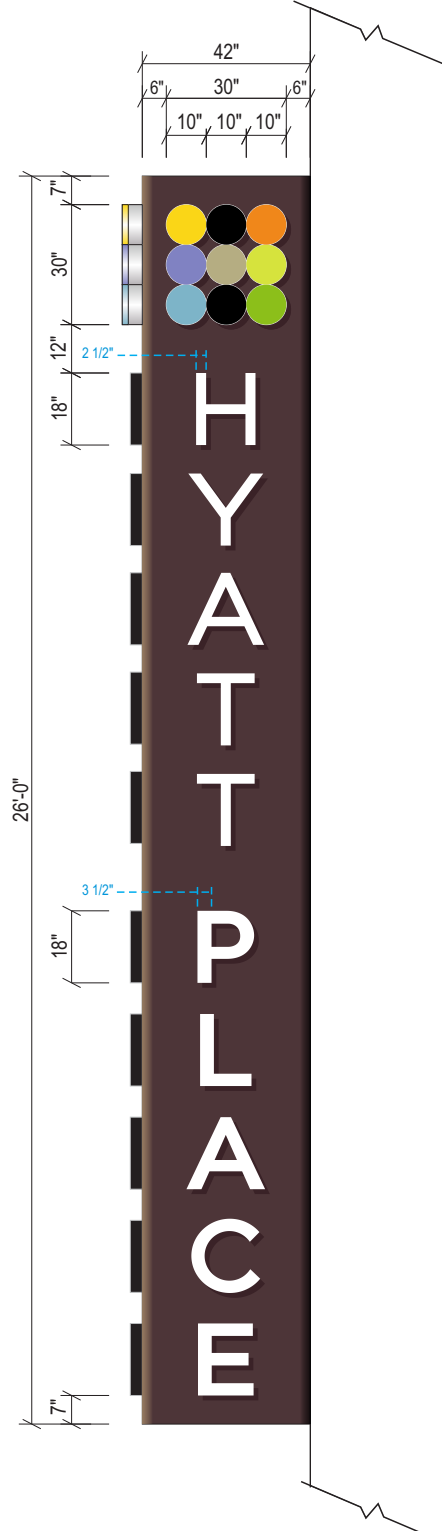
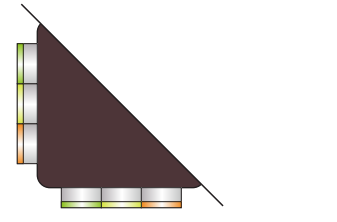


TOP VIEW
SCALE: 3/16"=1'-0"



GRAPHIC
ELEVATION
SCALE: 3/16"=1'-0"

**(1) DOUBLE-FACE ILLUMINATED
V-SHAPE SIGN
(WITH SURFACE MOUNTED LOGO AND LETTERS)**



LOGOTYPE :
.064" THK. ALUMINUM FILLER PAINTED GREY ALUMINUM ANODIZED SATIN FINISH. INTERIOR PAINTED REFLECTIVE WHITE.
1 1/2" THK. CLEAR MUSTANG HT MOLDED FACES, WITH VINYL GRAPHICS APPLIED ON SECOND SURFACE.
ILLUMINATED WITH WHITE LED.

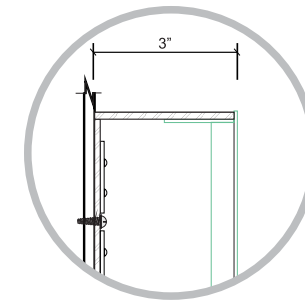
LETTERS :
.064" THK. ALUMINUM FILLER PAINTED BLACK. INTERIOR PAINTED REFLECTIVE WHITE.
3/8" THK. WHITE PIGMENTED ACRYLIC FACES.
ILLUMINATED WITH WHITE LED.

SIGN BOX :
ALUMINIUM CABINET PAINTED BROWN AKZO.
INSTALLED ON THE WALL (V-SHAPE PROJECTION).

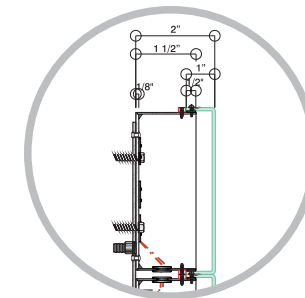
AREA: 91 sq. ft.

COLOR CHART

	BROWN : AKZO-412-H2 (PAINT)		
	"3M" PISTACHIO : 3630-149		
	BLACK : SERIES 2500-22		ORANGE : SERIES 2500-84
	YELLOW : SERIES 2500-2244A		LIME GREEN : SERIES 2100-948
	LAVENDER : SERIES 2500-3148		SPRING GREEN : SERIES 2500-2498 Light Blue & SERIES 2500-2202 Light Green (1 LAYER OF EACH) LIGHT BLUE ALWAYS APPLIED AS A DIFFUSER FOR THE LOGO
	BLUE : SERIES 2500-2529		



**CHANNEL LETTER
CROSS SECTION DETAIL**
NTS



**LOGO
CROSS SECTION DETAIL**
NTS

WEST ELEVATION

SCALE: N.T.S.



SIMULATION (NTS)



WALL SIGN - SURFACE MOUNTED LOGO AND LETTERS

Avis / Notice

Ce dessin, incluant la conception graphique et les détails techniques est la seule propriété d'Enseignes Transworld cie et ne doit être reproduit, copié ou utilisé pour fabrication sans l'autorisation préalable d'Enseignes Transworld cie.

This drawing, including graphic layout and technical detail is the property of Transworld Signs Co and cannot be reproduced, copied or used without prior authorization from Transworld Signs Co.

Licence RBQ: 8270-5815-47 titulaire d'une licence délivrée en vertu de la loi sur le bâtiment du Québec.

Client



Adr./Add. : **433, Fore Street, Portland, ME**

Date : 2013/05/07 Rep : Scott Gabrisch #Des/Draw# : 240175m3

Des. : C.K-CD. W.O. : Ref. # :

Révision / Revision

#	Description	Par/By	Date