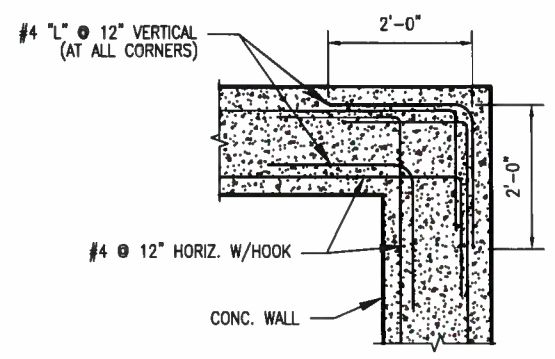


DESIGN DATA

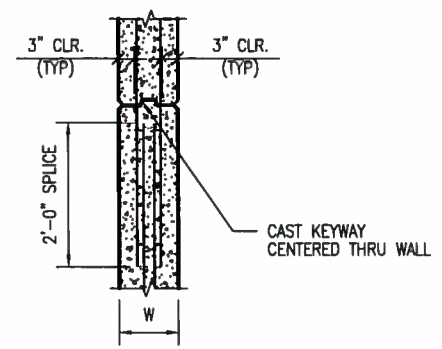
STRUCTURE	
CLASSIFICATION (ASCE 7)	CATEGORY IV
SITE LOCATION	PORTLAND, MAINE
ALLOWABLE SOIL BEARING	3000 PSF
GROUND WATER ELEVATION	8 FT RFG
WIND LOADS	
BASIC WIND SPEED	100 MPH
IMPORTANCE FACTOR	1.15
EXPOSURE CATEGORY	C
ATMOSPHERIC ICE LOADS	
RADIAL ICE	1 INCH
CONCURRENT WIND SPEED	40 MPH
EARTHQUAKE LOADS	
IMPORTANCE FACTOR	1.5
SITE CLASS	C
SEISMIC DESIGN CATEGORY	C

LEGEND OF ABBREVIATIONS:

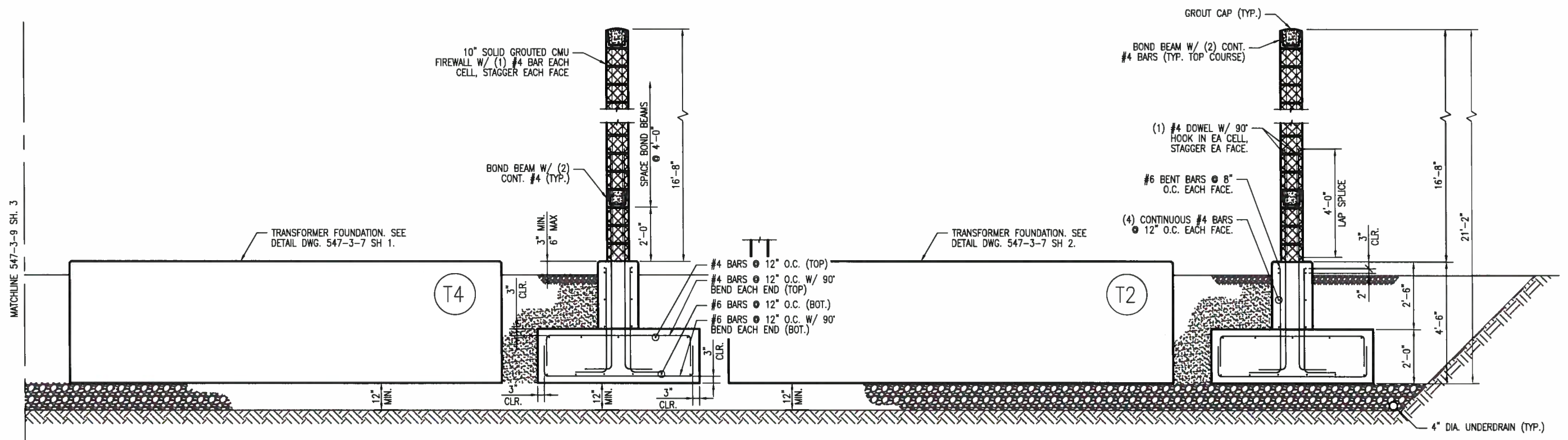
A.R.	-	ANCHOR ROD
CLR	-	CLEAR
CTRD.	-	CENTERED
DWG.	-	DRAWING
EQ	-	EQUAL/EQUALLY
E.W.	-	EACH WAY
FDN.	-	FOUNDATION
(FG)	-	FINISHED GRADE
HDG	-	HOT DIP GALVANIZED
O.C.	-	ON CENTER
PLCS	-	PLACES
PROJ.	-	PROJECTIONS
BFG	-	BELOW FINISH GRADE
SP.	-	SPACING/SPACED
SIM.	-	SIMILAR
UNO	-	UNLESS NOTED OTHERWISE
UD	-	UNDERDRAIN
T.O.C.	-	TOP OF CONCRETE
T.O.P.	-	TOP OF PLATE



1 WALL CORNER DETAIL (TYP.)
SH. 1 & 2 SCALE: 3/8"=1'-0"



TYP TYPICAL FOOTING OR WALL CONSTRUCTION JOINT
SH. 1 & 2 SCALE: 3/8"=1'-0"



C SECTION
SH. 2 SCALE: 1/4"=1'-0"

CADD Drawing, DO NOT REVISE MANUALLY.

TRC 249 WESTERN AVENUE AUGUSTA, ME 04330 PROJECT NO: 183112	
REFERENCE DRAWING NUMBER	DESCRIPTION
547-6-3	CONDUIT PLAN
547-3-7	TRANSFORMER FOUNDATION DETAIL
547-3-5	FOUNDATION PLAN

Professional Engineer Seal

DANIEL T. BUTLER
No. 6796

CENTRAL MAINE POWER CO.
IBERDROLA USA

IUSA ENGINEERING
CONFIDENTIAL, PROPRIETARY
and TRADE SECRET INFORMATION
Property of Iberdrola, USA

0	07/16/13	TRC	IFC ISSUE FOR CONST 2013	DTB	APP. CMP/PN
REV.	DATE	BY	DESCRIPTION	APP.	DATE

FOUNDATION DETAIL
FIREWALL
UNION STREET SUBSTATION

DR. TRC/SGL	FILE: 547-3-9 SH.4.DWG	REV. 0
CK. TRC/RAY	NO. 547-3-9 SH.4	
APP. CMP/PN	SCALE: AS NOTED	