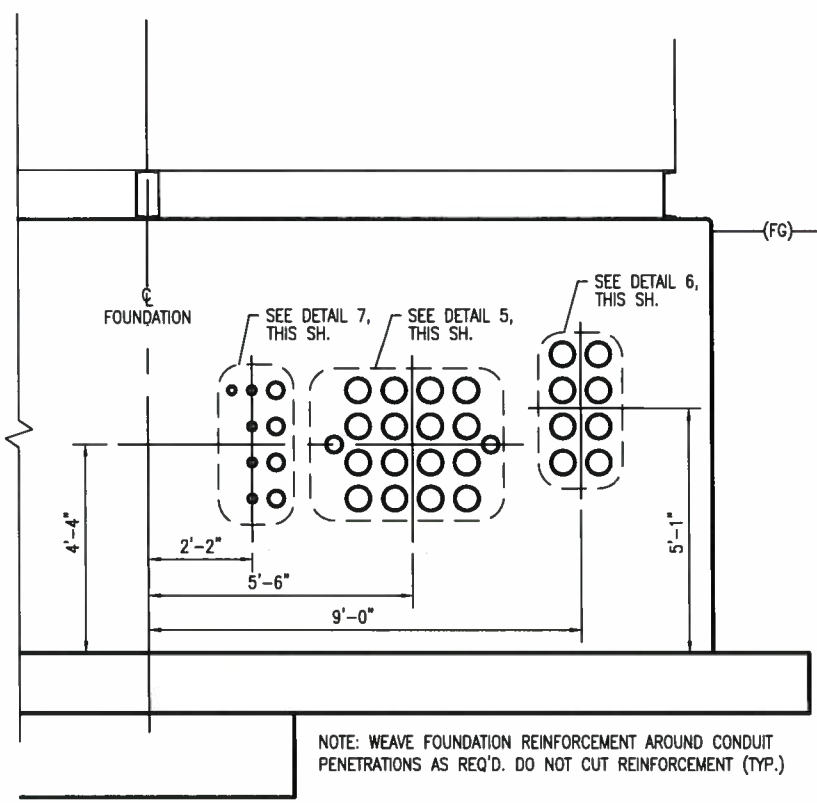
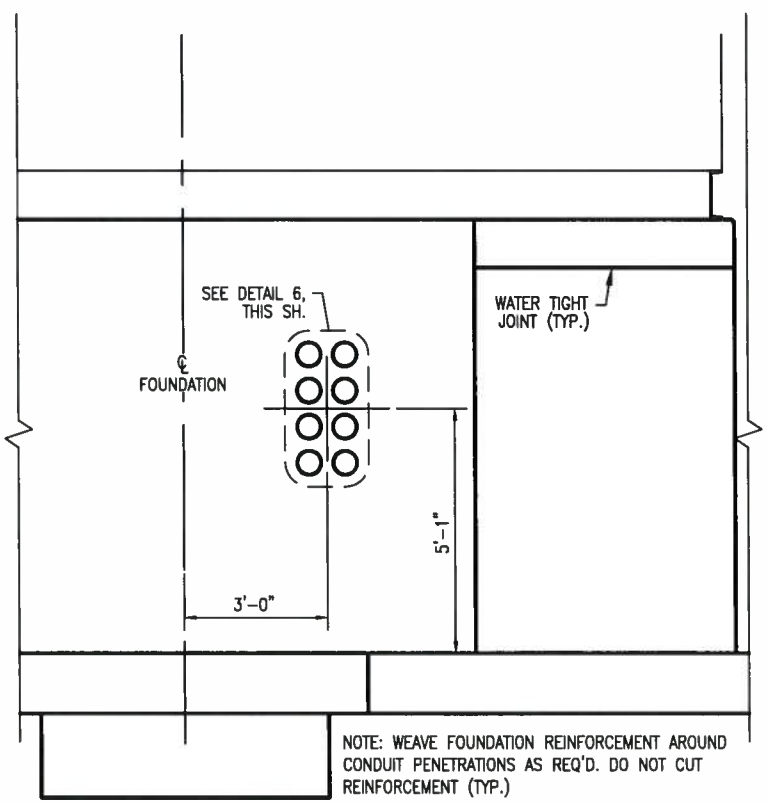


CADD Drawing, DO NOT REVISE MANUALLY.



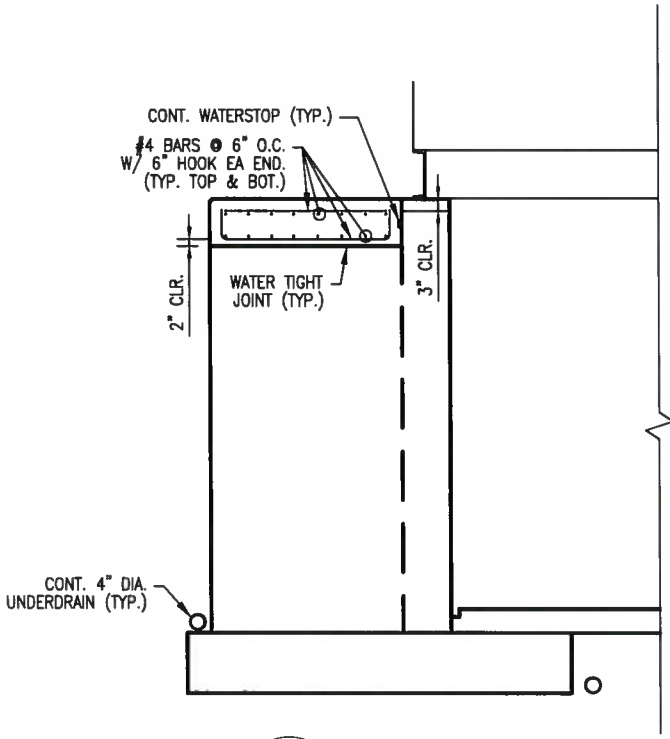
NOTE: WEAVE FOUNDATION REINFORCEMENT AROUND CONDUIT PENETRATIONS AS REQ'D. DO NOT CUT REINFORCEMENT (TYP.)

F SECTION F
547-3-8 SH.1 SCALE: 1/4"=1'-0"

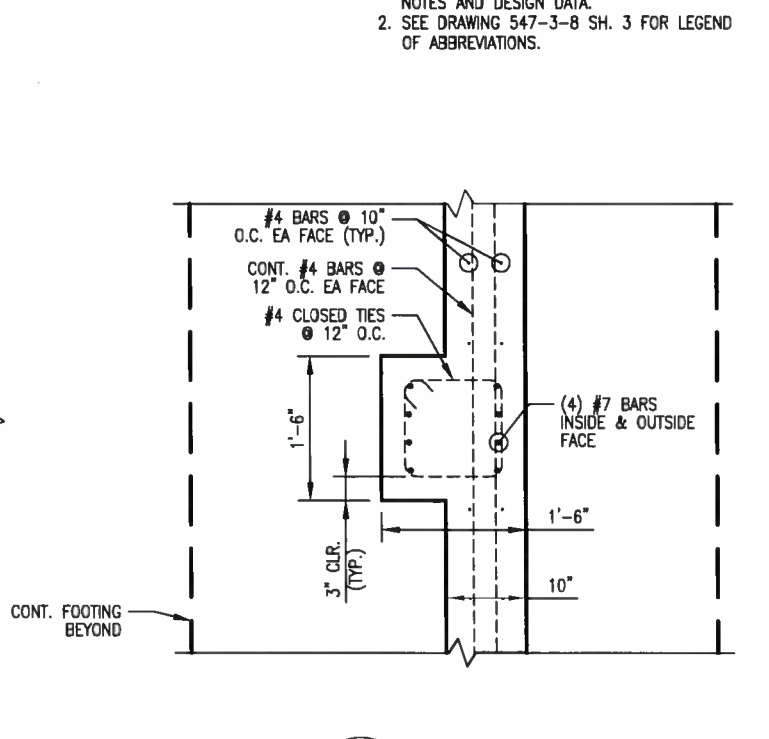


NOTE: WEAVE FOUNDATION REINFORCEMENT AROUND CONDUIT PENETRATIONS AS REQ'D. DO NOT CUT REINFORCEMENT (TYP.)

G SECTION G
547-3-8 SH.1 SCALE: 1/4"=1'-0"

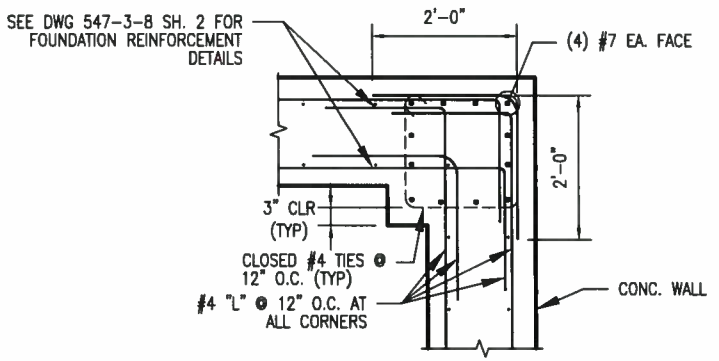


H SECTION H
547-3-8 SH.1 SCALE: 1/4"=1'-0"

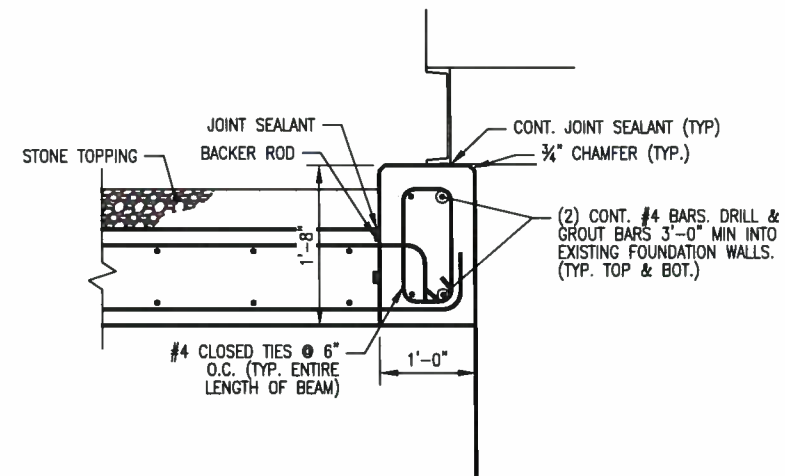


J SECTION J
547-3-8 SH.2 SCALE: 1/4"=1'-0"

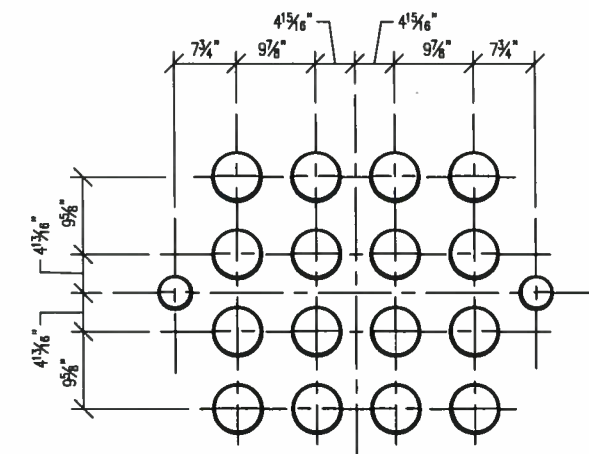
NOTES:
1. SEE DRAWING 547-3-8 SH. 1 FOR CONCRETE NOTES AND DESIGN DATA.
2. SEE DRAWING 547-3-8 SH. 3 FOR LEGEND OF ABBREVIATIONS.



3 WALL CORNER DETAIL (TYP.)
SH. 1 & 2 SCALE: 3/8"=1'-0"

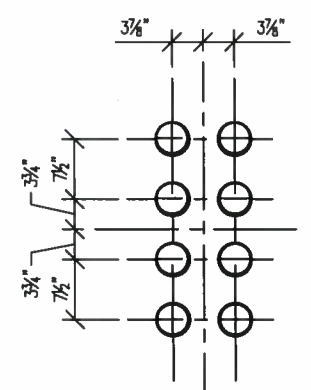


4 DETAIL 4
547-3-8 SH. 3 SCALE: 1/4"=1'-0"



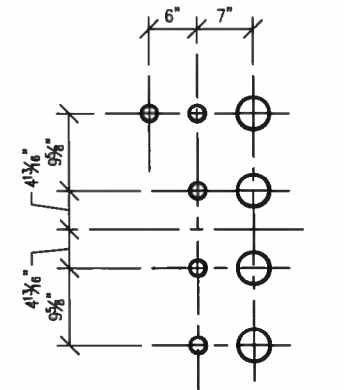
NOTE: SEE DRAWING 547-6-3 FOR CONDUIT SIZES

5 DETAIL 5
547-3-8 SH.3 SCALE: 1/2"=1'-0"



NOTE: SEE DRAWING 547-6-3 FOR CONDUIT SIZES

6 DETAIL 6
547-3-8 SH.3 SCALE: 1/2"=1'-0"

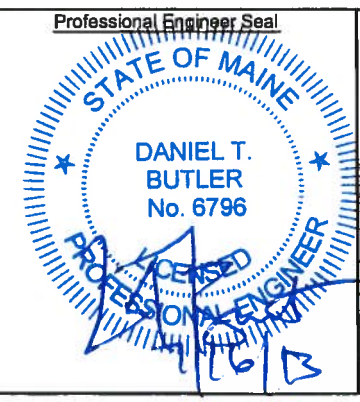


NOTE: SEE DRAWING 547-6-3 FOR CONDUIT SIZES

7 DETAIL 7
547-3-8 THIS SH SCALE: 1/2"=1'-0"

TRC 249 WESTERN AVENUE
AUGUSTA, ME 04330
PROJECT NO: 183112

REFERENCE DRAWING NUMBER	DESCRIPTION
547-40	FOUNDATION PLAN & SECTIONS
547-6-3	CONDIUT PLAN
547-3-5	FOUNDATION PLAN



IBERDROLA USA
CENTRAL MAINE POWER CO.
USA ENGINEERING
CONFIDENTIAL, PROPRIETARY and TRADE SECRET INFORMATION
Property of Iberdrola, USA

REV.	DATE	BY	DESCRIPTION
0	07/16/13	TRC	IFC ISSUE FOR CONST 2013

FOUNDATION DETAIL
34.5KV SWITCHGEAR FOUNDATION
UNION STREET SUBSTATION

DR. TRC/SGL	FILE: 547-3-8 SH.4.DWG	REV. 0
CK. TRC/RAY	NO. 547-3-8 SH.4	
DTB APP. CMP/PN	DATE: 5/14/12	SCALE: AS NOTED