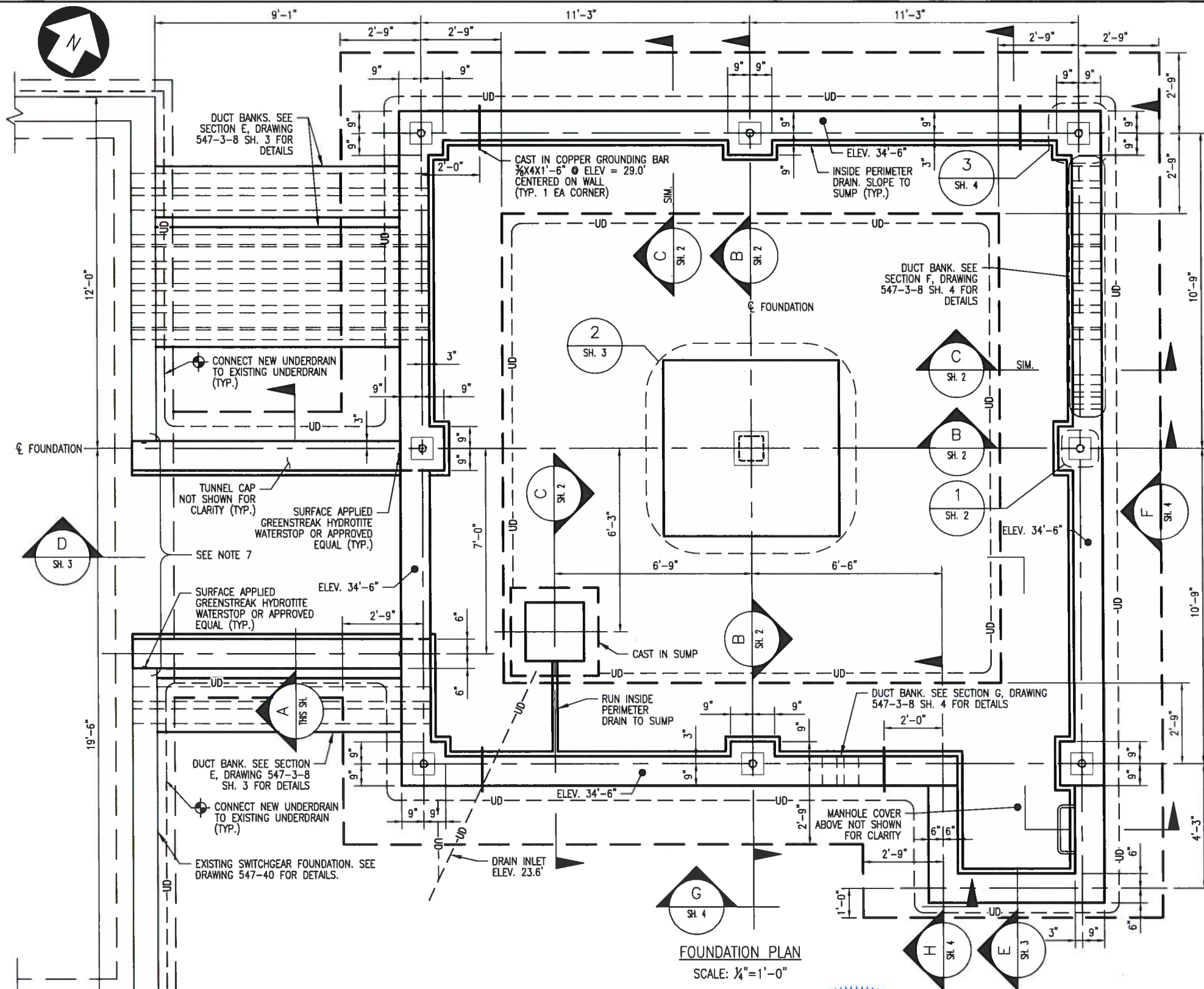


CADD Drawing, DO NOT REVISE MANUALLY.



DESIGN DATA

STRUCTURE

CLASSIFICATION (ASCE 7)
SITE LOCATION
ALLOWABLE SOIL BEARING
GROUND WATER ELEVATION

CATEGORY IV
PORTLAND, MAINE
3000 PSF
8 FT BFG

WIND LOADS

BASIC WIND SPEED
IMPORTANCE FACTOR
EXPOSURE CATEGORY

100 MPH
1.15
C

ATMOSPHERIC ICE LOADS

RADIAL ICE
CONCURRENT WIND SPEED

1 INCH
40 MPH

EARTHQUAKE LOADS

IMPORTANCE FACTOR
SITE CLASS
SEISMIC DESIGN CATEGORY

1.5
C
C

SURCHARGE LOAD

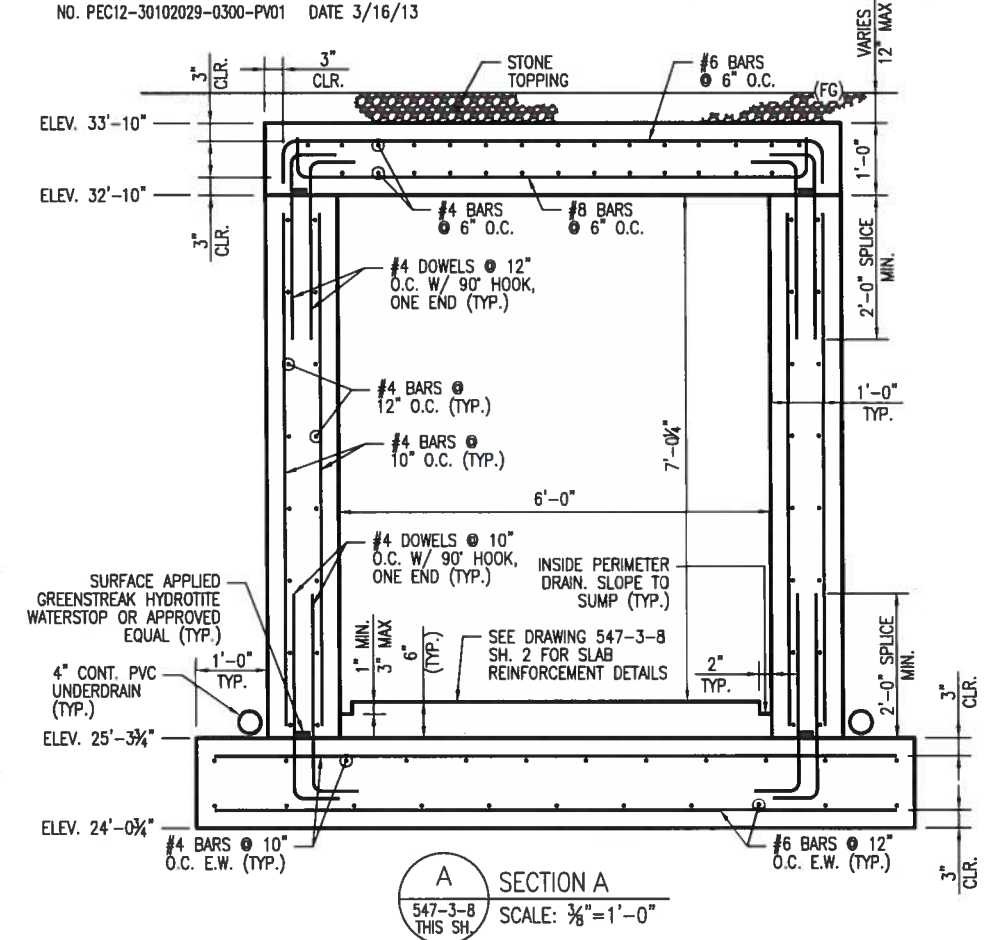
AASHTO H20 WHEEL DESIGN LOAD

VENDOR REFERENCE

SIEMENS ENERGY
NO. PEC12-30102029-0300-PV01
REV 4
DATE 3/16/13

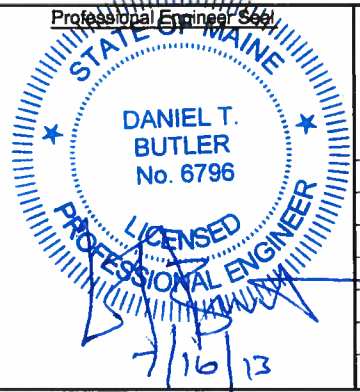
FOUNDATION NOTES:

- CONCRETE SHALL BE IN ACCORDANCE WITH PROJECT SPECIFICATIONS.
- INSULATE AND WATERPROOF ALL FOUNDATION PENETRATIONS, COORDINATE DETAILS W/ OTHER TRADES.
- REINFORCING SHALL BE ASTM A615, GR. 60 (60ksi YIELD).
- PROVIDE 3/4" CHAMFER ON ALL EXPOSED EDGES, UNLESS NOTED OTHERWISE.
- FOUNDATIONS SHALL BE PLACED ON 12" MIN. THICK CRUSHED STONE BASE.
- FOUNDATIONS TO BE BACKFILLED & COMPACTED IN ACCORDANCE WITH PROJECT SPECIFICATIONS.
- CUT EXISTING FOUNDATION WALL AS REQ'D. TO FACILITATE PROPOSED FOUNDATION TUNNEL. SEE DRAWING 547-40 & 547-40D.
- ALL SUB GRADE CONCRETE TO BE EXPOSED TO EARTH SHALL BE COATED WITH BITUMINOUS WATERPROOFING IN ACCORDANCE WITH PROJECT SPECIFICATIONS.
- AN ESTIMATED 73 C.Y. OF CONCRETE IS REQUIRED FOR ONE FOUNDATION. ESTIMATED QUANTITY IS FOR OWNER'S ASSET MANAGEMENT PURPOSES ONLY. CONTRACTOR IS RESPONSIBLE FOR DETERMINING QUANTITIES REQUIRED FOR CONSTRUCTION AND BID PURPOSES.
- SEE DRAWING 547-3-8 SH. 3 FOR LEGEND OF ABBREVIATIONS.



TRC 249 WESTERN AVENUE
AUGUSTA, ME 04330
PROJECT NO: 183112

REFERENCE DRAWING NUMBER	DESCRIPTION
547-40	FOUNDATION PLAN & SECTIONS
547-6-3	CONDUIT PLAN
547-3-5	FOUNDATION PLAN



CENTRAL MAINE POWER CO.
IBERDROLA USA

IUSA ENGINEERING
CONFIDENTIAL, PROPRIETARY
and TRADE SECRET INFORMATION
Property of Iberdrola, USA

FOUNDATION DETAIL
34kV SWITCHGEAR FOUNDATION
UNION STREET SUBSTATION

REV.	DATE	BY	DESCRIPTION	APP.	DATE	DESCRIPTION	DR.	TRC/SGL	FILE:	REV.
0	07/16/13	TRC	IFC ISSUE FOR CONST 2013	DTB	APP. CMP/PN	547-3-8 SH.1	TRC/JGM	NO.	547-3-8 SH.1	0
				APP.	DATE: 5/14/12	SCALE: AS NOTED				