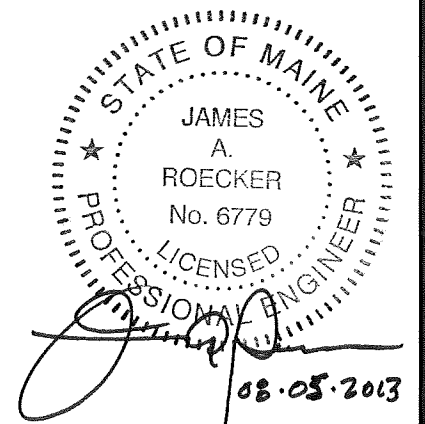
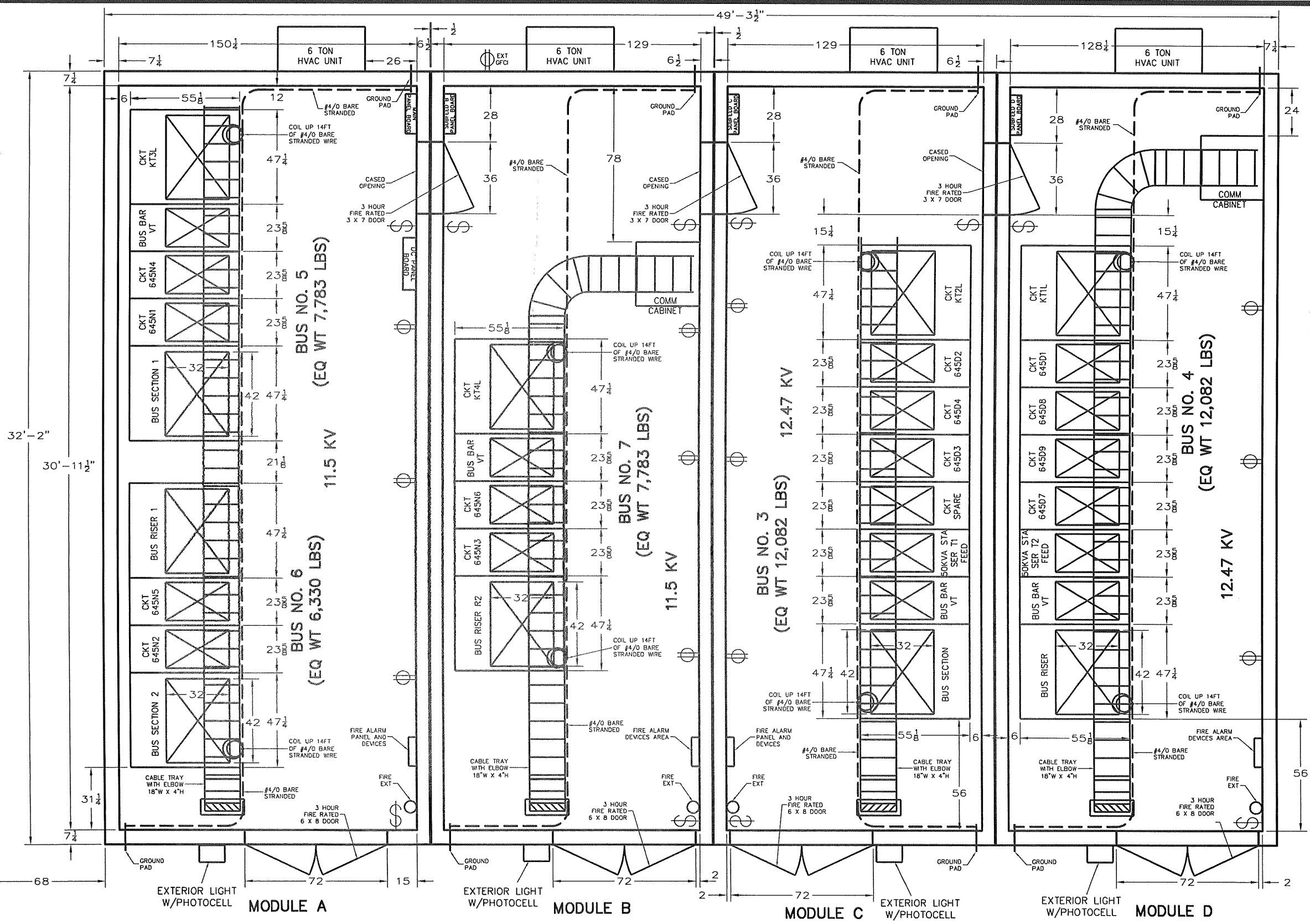


FENCE LINE ALONG UNION ST.



DRIVEWAY

SITE: UNION STREET PORTLAND, ME  
 MASTER FLOOR PLAN  
 FLOOR LOAD - 250 PSF  
 ROOF LOAD - 100 PSF

R3	REVISED EXTERIOR LIGHT.	7-8-13	RAP
REV. NO.	DESCRIPTION	DATE	OWN BY
MODULAR CONNECTIONS, LLC	Phone: 205-980-4565 1090 Industrial Blvd Bessemer, AL 35022 Fax: 877-903-6335 Email: info@ModularConnections.com	7-8-13	MCP547
TITLE	SCALE	PROJ. WCR	CLP
SCHNEIDER ELECTRIC USA, INC 32'2"WOD X 49'-5"LOD X 9'8"HID SHELTER FLOOR PLAN	NA		
DRAWING NO. D12021 R3			SHEET 00

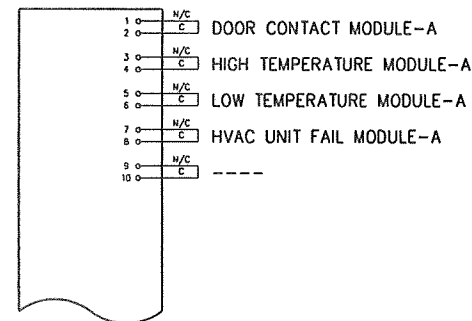
NOTICE: These drawings and specifications are the property of Modular Connections, LLC. All information contained herein which is not known generally in the field of Modular Connections, LLC shall be confidential except to any extent to which it is established to have been known previously from sources other than Modular Connections, LLC. These drawings and specifications may not be reproduced, copied or used as the basis for the manufacture or sale of apparatus without written permission.

EQUIPMENT LIST			
IT.#	QTY	MANUF. P/N	DESCRIPTION
1	1	NQ442L4C	PANEL BOARD, 400A MB 3PH 120/208VAC 42 POSITION W/ CU BUS SQ.D
2	1	SPECIAL	DOOR, 6' X 8' BLANK GALVANIZED AND PAINTED INSULATED STEEL. 11GA EXTERIOR WITH REMOVABLE MULLION (3 HR FIRE RATED)
3	1	4208F689429 LPEKFH-071C-LC 6PN	PANIC BAR, RIM TYPE EXIT DEVICE NON HANDED FOR 3' & 3'-6" DOOR W/HANDLE & CYLINDER PDQ (STD)
4	2	ESBUL-50	DOOR BOLT, 8" HEAVY DUTY US26D SURFACE BOLT CAL-ROYAL
5	1	5100-DA-PA-11	DOOR CLOSER, WITH 519002 HOLD OPEN ARM AMERICAN EAGLE (STD)
6	1	ES11778	DOOR AWNING 84W X 24D ALUMINUM
7	1	1087TG	DOOR CONTACT, SPDT MAGNETIC GE (STD)
8	1	11340	FIRE EXTINGUISHER, 10LB DRY CHEMICAL ABC BUCKEYE
9	1	521B	SMOKE DETECTOR, PHOTOELECTRIC 24VDC AND BASE FOR FIRE CONTROL SYSTEM EDWARDS
10	3	CR5352I	RECEPTACLE, 20A 120V DUPLEX IVORY HUBBELL
11	1	W70A1-B09XP4XXJ	HVAC UNIT, 6 TON 3PH 50A WITH 9KW HEAT BARD GRAY
12	1	8403-058	THERMOSTAT, SINGLE STAGE AUTO CHANGEOVER BARD (STD)
13	2	WW#1UHH2	THERMOSTAT, FOR HIGH/LOW TEMP ALARMS DAY TON
14	40	AB1VV635U	TERMINAL BLOCK, 50A 600V SCREW CLAMP MTD ON DIN RAIL SCHNEIDER
15	3PCS	A9JA-18-144	CABLE TRAY, 18"W X 4" THK X 12' LONG FLG IN ALUMINUM HUSKY
16	1	ALJA-18VO90-12	CABLE TRAY, 18"W X 4" THK 90 DEG VERT. OUTSIDE ELBOW W/12" RADIUS FLG IN HUSKY
17	1PC		ANGLE, 2" X 2" X 1/4" X 30" LG ALUMINUM MTD TO FLR & BASE OF VERT CABLE TRAY
18	5		STRUT, 1-5/8 X 1-5/8 X 24" LONG SLOTTED ZINC PLATED
19	10	SHC-M	CABLE TRAY HANGER CLIP, ZP HUSKY (STD)
20	1	C-4-66SCWP	WIREWAY, 6" X 6" X 4' LG TYPE 1 PAINTED GRAY C&I
21	2	C-66-ECP	WIREWAY, 6" ENDCAP TYPE 1 W/O KNOCKOUT PAINTED GRAY C&I
22	1		ROOF MEMBRANE TPO (NOT SHOWN)
23	6	AWM4232EB8LHUNV	LIGHT, INTERIOR FLUORESCENT 48" (2) T8 BULB 120/277V W/DIFFUSER COLUMBIA (STD)
24	1	TWR1C70S120LPI	LIGHT, EXTERIOR 70W HPS WALL PACK WITH LAMP LITHONIA
25	1	CS1221I	SWITCH, 20A 120-277V TOGGLE SPST IVORY HUBBELL
26	1	ECRLEDM6	EMERGENCY/EXIT LIGHT, 120/277VAC (2) HEAD LED W/BATT. BACKUP LITHONIA (STD)
27	2	CS1223I	SWITCH, 20A 120-277V 3-WAY IVORY HUBBELL
28	2	1871A65	DOOR PULL, 12-1/8" LG X 1/2" DIA ALUMINUM, MCMASTER (STD)
29	1	HCN23652N	PANEL BOARD, I-LINE 225A LUG 1PH 120/240VAC 45" MTG. SPACE SQ.D
30	30	ES14088	FOAM BLOCK, 20" X 48" X 6" THK POLYSTYRENE 1 LB DENSITY
31	15	ES16373	FOAM BLOCK, 20" X 36" X 6" THK POLYSTYRENE 1 LB DENSITY
32	6	CTGC-6-25A	GROUND CLAMP FOR CABLE TRAY, #6 THRU 250MCM OZ GEDNEY
33	95 FT	580023BS	WIRE, #4/0 BARE STRANDED COPPER
34	2		GROUND PAD, 1/4"X4"X14" (NO HOLES) COPPER TINNED PLATED
35	2	LCD4/0-14B-X	CRIMP CONNECTOR, (2)HOLE FOR #4/0 WIRE PANDUIT
36	13	#12	STRAP, GROUND CONDUCTOR SUPPORT FOR #2/0 THIN OR #4/0 BARE CLIC & #2 WELDING
37	1	C18186SCP	ENCLOSURE, 18" X 18" X 6" D GALV. PAINTED SCREW COVER C&I
38	1	270-SPO	PULL STATION 24VDC FOR FIRE ALARM CONTROL PANEL EDWARDS
39	1	6CT93	SIGN 10"W X 14"H PLASTIC "FIRE ALARM" WITH ARROW WHITE ON RED GRAINGER
40	1	EG1R-HDVM	HORN/STROBE ALARM, 24VDC WALL MOUNT GENESIS EDWARDS
41	1	C-44-90LP	WIREWAY, 4" X 4" 90 DEGREE ELBOW TYPE 1 PAINTED GRAY C&I
42	2	CTAP4/0-4/0-X	COMPRESSION FITTING, #4/0 X #4/0 WIRE PANDUIT
43	1	TWR1CFCVU	LIGHT, EXTERIOR FULL CUTOFF VISOR LITHONIA
44	1	2001	PHOTOCELL, 15A 120V PLASTIC TORK (STD)
45	1	E-FSC302RD	FIRE ALARM PANEL, 3 ZONE WITH INTEGRAL DIALER RED EDWARDS
46	1	DSS-3	COVER PLATE, ROUND BOX EXT. RED DOT
47	1	S-47	BOX, 4" ROUND EXT. RED DOT
48	2	12VA4	BATTERY, 12V DC FOR FIKE ALARM PANEL EDWARDS
49	8	AB1AC6	TERMINAL BLOCK, END PLATE SCHNEIDER
50	8	9080MHA10	TERMINAL BLOCK, END CLAMP SCHNEIDER
51	4	AB1B810	TERMINAL BLOCK, NUMBERS #1 THRU 10 SCHNEIDER
52	4		TERMINAL BLOCK, 35MM X 12" LG DIN RAIL PLATED
53	1	C-12126SC	ENCLOSURE, 12"H X 12"W X 6"D TYPE 1 C&I (FOR 2" NIPPLE)

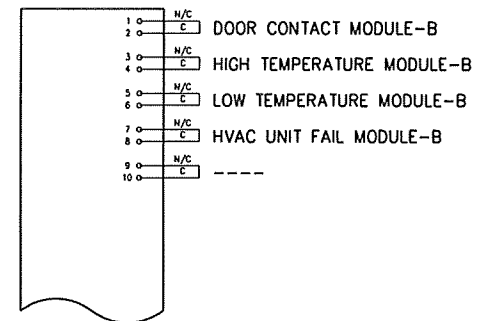
NOTES:

- 1) MAIN DISCONNECT GROUND WIRE MUST BE ATTACHED TO GROUNDING SYSTEM BEFORE APPLYING POWER.
- 2) ALL WIRE AMPACITIES BASED ON TABLE 310-16 NEC, 310-15(b)(2)(a). ALL WIRE IS RATED AT 90°C W/75°C RATED LUGS. CONDUIT FILL BASED ON ANNEX C NEC (TABLE C1).
- 3) ALL SERVICE ENTRANCE EQUIPMENT SHALL BE LISTED FOR IT'S USE.
- 4) LOCAL BUILDING OFFICIALS: ALL THE ITEMS THAT ARE NOT COVERED IN THE APPROVAL PROCESS ARE TO BE SITE INSTALLED. ALL SITE INSTALLED ITEMS ARE SUBJECT TO LOCAL REVIEW, APPROVAL AND INSPECTION PROCESS.
- 5) DOOR LOCKSET INSIDE LEVER HAS AN ANSI F13 FUNCTION THAT RETRACTS LATCH AND DEADBOLT UPON ROTATION OF LEVER.
- 6) ALL ITEMS THAT ARE SITE INSTALLED ARE SUBJECT TO LOCAL REVIEW, APPROVAL AND INSPECTION ON SITE BY LOCAL AUTHORITY HAVING JURISDICTION.
- 7) CABLE TRAYS/RACK ARE TO BE GROUNDED PER 2008 NEC SECTIONS 392.6 AND 392.7.

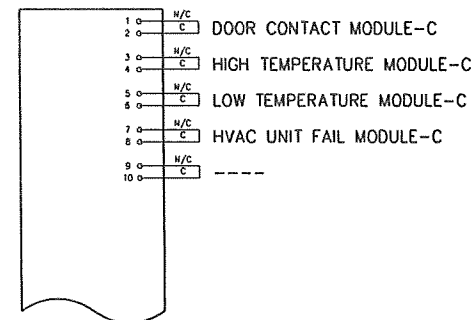
⬡ - INDICATES RECEPTACLE GROUP.



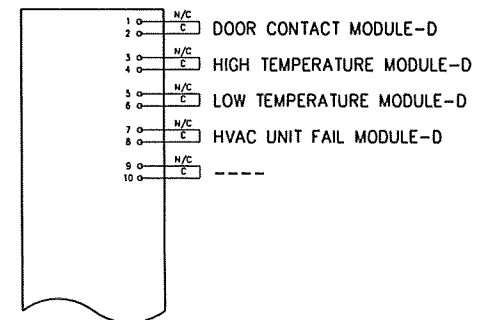
TERMINAL STRIP DETAIL MODULE A



TERMINAL STRIP DETAIL MODULE B



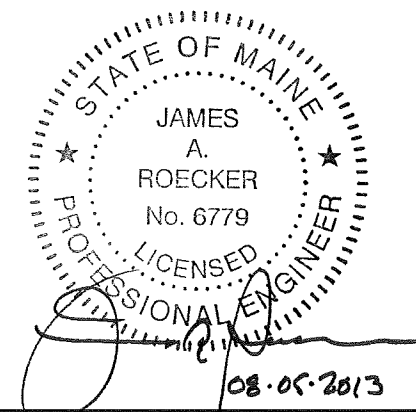
TERMINAL STRIP DETAIL MODULE C



TERMINAL STRIP DETAIL MODULE D

(ALL ALARM WIRE TO BE 18 AWG STRANDED COPPER WITHOUT A SHIELDED JACKET.)

SITE: UNION STREET PORTLAND, ME  
EXTERIOR SURFACE: SIMULATED BRICK  
"MAY BE BUILT MIRROR IMAGED"



R4	CHANGED TERMINAL BLOCKS TO SCHNEIDER TYPE BLOCKS	8-2-13	CLP
REV NO.	DESCRIPTION	DATE	OWN BY
1	MODULAR CONNECTIONS, LLC 1090 Industrial Blvd Bessemer, AL 35022	3-14-13	MCP547
TITLE	SCHNEIDER ELECTRIC USA, INC MODULE A - EQUIPMENT LIST FOR 14'W X 32'2"L X 9'8" H	SCALE	PROJ MGR
		NA	CRP
NOTICE: These drawings and specifications are the property of Modular Connections, LLC. All information contained herein which is not known generally in the field of Modular Connections, LLC shall be confidential except to any extent to which it is established to have been known previously from sources other than Modular Connections, LLC. These drawings and specifications may not be reproduced, copied or used as the basis for the manufacture or sale of apparatus without written permission.		DRAWING NO.	SHEET
		D12021 R4	01

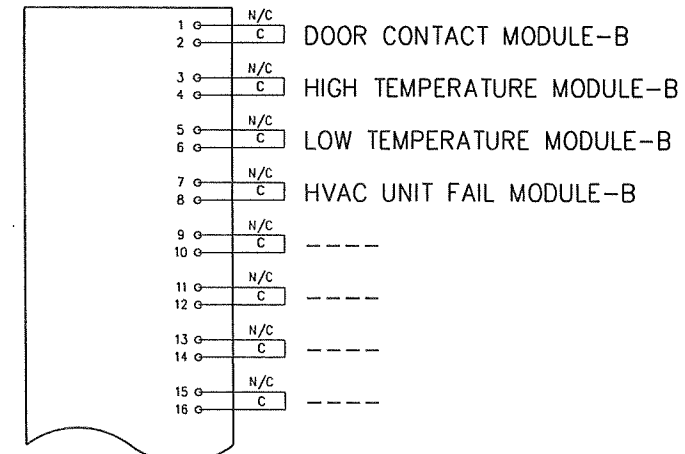


EQUIPMENT LIST			
IT.#	QTY	MANUF. P/N	DESCRIPTION
1	1	NQ418L1C	PANELBOARD, 100A MB 3PH 120/208VAC 16 POSITION W/ CU BUS SQ.D
2	1	SPECIAL	DOOR, 6' X 8' BLANK GALVANIZED AND PAINTED INSULATED STEEL 11GA EXTERIOR WITH REMOVABLE MULLION (3 HR FIRE RATED)
3	1	4208R689429 LPEKFXH-071C-LC 6PN	PANIC BAR, RIM TYPE EXIT DEVICE NON HANDED FOR 3' & 3'-6" DOOR W/HANDLE & CYLINDER PDQ (STD)
4	2	ESBUL-50	DOOR BOLT, 8" HEAVY DUTY US26D SURFACE BOLT CAL-ROYAL
5	1	5100-DA-PA-11	DOOR CLOSER, WITH 519002 HOLD OPEN ARM AMERICAN EAGLE (STD)
6	1	ES11778	DOOR AWNING 84W X 24D ALUMINUM
7	1	1087TG	DOOR CONTACT, SPDT MAGNETIC GE (STD)
8	1	11340	FIRE EXTINGUISHER, 10LB DRY CHEMICAL ABC BUCKEYE
9	1	521B	SMOKE DETECTOR, PHOTOELECTRIC 24VDC AND BASE FOR FIRE CONTROL SYSTEM EDWARDS
10	3	CR5352I	RECEPTACLE, 20A 120V DUPLEX IVORY HUBBELL
11	1	W70A1-B09XP4XXJ	HVAC UNIT, 6 TON 3PH 50A WITH 9KW HEAT BARD GRAY
12	1	8403-058	THERMOSTAT, SINGLE STAGE AUTO CHANGEOVER BARD (STD)
13	2	WW #1UHH2	THERMOSTAT, FOR HIGH/LOW TEMP ALARMS DAYTON
14	2	C-44-90LP	WIREWAY, 4" X 4" 90 DEGREE ELBOW TYPE 1 PAINTED GRAY C&I
15	3PCS	A9JA-18-144	CABLE TRAY, 18"W X 4" THK X 12' LONG FLG IN ALUMINUM HUSKY
16	1	ALJA-18V090-12	CABLE TRAY, 18"W X 4" THK 90 DEG VERT. OUTSIDE ELBOW W/12" RADIUS FLG IN HUSKY
17	1PC		ANGLE, 2" X 2" X 1/4" X 30" LG ALUMINUM MTD TO FLR & BASE OF VERT CABLE TRAY
18	5		STRUT, 1-5/8 X 1-5/8 X 24" LONG SLOTTED ZINC PLATED
19	10	SHC-M	CABLE TRAY HANGER CLIP, ZP HUSKY (STD)
20	1	C-4-66SCWP	WIREWAY, 6" X 6" X 4' LG TYPE 1 PAINTED GRAY C&I
21	2	C-66-ECP	WIREWAY, 6" ENDCAP TYPE 1 W/O KNOCKOUT PAINTED GRAY C&I
22	1		ROOF MEMBRANE TPO (NOT SHOWN)
23	6	AWN4232EB8LHUNV	LIGHT, INTERIOR FLUORESCENT 48" (2) T8 BULB 120/277V W/DIFFUSER COLUMBIA (STD)
24	1	TWR1C70S120LPI	LIGHT, EXTERIOR 70W HPS WALL PACK WITH LAMP LITHONIA
25	1	CS1221I	SWITCH, 20A 120-277V TOGGLE SPST IVORY HUBBELL
26	1	ECRLEDV6	EMERGENCY/EXIT LIGHT, 120/277VAC (2) HEAD LED W/BATT. BACKUP LITHONIA (STD)
27	3	CS1224I	SWITCH, 20A 120-277V 4-WAY IVORY HUBBELL
28	2	1871A65	DOOR PULL, 12-1/8" LG X 1/2" DIA ALUMINUM, MCMMASTER (STD)
29	1	MR136 PFEF	LOCKSET, MORTISE 626 RH WITH SFIC CYLINDER & CORE PDQ (STD)
30	30	ES14007	FOAM BLOCK, 20" X 42" X 6" THK POLYSTYRENE 1 LB DENSITY
31	15	ES14053	FOAM BLOCK, 20" X 18" X 6" THK POLYSTYRENE 1 LB DENSITY
32	1	CECO VERSADOOR	DOOR, 3' X 7' MORTISE RHR GALVANIZED AND PAINTED INSULATED STEEL 3 HR FIRE RATED
33	1	C-66-90LP	WIREWAY, 6" X 6" 90 DEGREE ELBOW TYPE 1 PAINTED GRAY C&I
34	1	C-10-66SCWP	WIREWAY, 6" X 6" X 10' LG TYPE 1 PAINTED GRAY C&I
35	4	CTGC-6-25A	GROUND CLAMP FOR CABLE TRAY, #6 THRU 250MCM OZ GEDNEY
36	95 FT	580023BS	WIRE, #4/0 BARE STRANDED COPPER
37	2		GROUND PAD, 1/4"X4"X14" (NO HOLES) COPPER TINNED PLATED
38	2	LCD4/0-14B-X	CRIMP CONNECTOR, (2)HOLE FOR #4/0 WIRE PANDUIT
39	14	#12	STRAP, GROUND CONDUCTOR SUPPORT FOR #2/0 THIN OR #4/0 BARE CLIC & #2 WELDING
40	1	CSMGV	RECEPTACLE, 20A 120V GFI MTD IN WEATHERPROOF BOX T&B (STD)
41	1	EG1R-HDVM	HORN/STROBE ALARM, 24VDC WALL MOUNT GENESIS EDWARDS
42	1	270-SPO	PULL STATION 24VDC FOR FIRE ALARM CONTROL PANEL EDWARDS
43	1	6CT93	SIGN 10"W X 14"H PLASTIC "FIRE ALARM" WITH ARROW WHITE ON RED GRAINGER
44	1	ALJA-18H90-12	CABLE TRAY, 18"W X 4" THK 90 DEG HORIZ. ELBOW W/12" RADIUS FLG IN HUSKY
45	2	CTAP4/0-4/0-X	COMPRESSION FITTING, #4/0 X #4/0 WIRE PANDUIT
46	1	TWR1CFCVU	LIGHT, EXTERIOR FULL CUTOFF VISOR LITHONIA
47	1	2001	PHOTOCELL, 15A 120V PLASTIC TORK (STD)
48	1	DSS-3	COVER PLATE, ROUND BOX EXT. RED DOT
49	1	S-47	BOX, 4" ROUND EXT. RED DOT

**NOTES:**

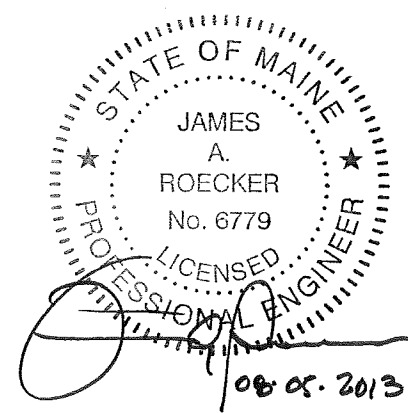
- 1) MAIN DISCONNECT GROUND WIRE MUST BE ATTACHED TO GROUNDING SYSTEM BEFORE APPLYING POWER.
- 2) ALL WIRE AMPACITIES BASED ON TABLE 310-16 NEC, 310-15(b)(2)(a). ALL WIRE IS RATED AT 90°C W/75°C RATED LUGS. CONDUIT FILL BASED ON ANNEX C NEC(TABLE C1).
- 3) ALL SERVICE ENTRANCE EQUIPMENT SHALL BE LISTED FOR IT'S USE.
- 4) LOCAL BUILDING OFFICIALS: ALL THE ITEMS THAT ARE NOT COVERED IN THE APPROVAL PROCESS ARE TO BE SITE INSTALLED. ALL SITE INSTALLED ITEMS ARE SUBJECT TO LOCAL REVIEW, APPROVAL AND INSPECTION PROCESS.
- 5) DOOR LOCKSET INSIDE LEVER HAS AN ANSI F13 FUNCTION THAT RETRACTS LATCH AND DEADBOLT UPON ROTATION OF LEVER.
- 6) ALL ITEMS THAT ARE SITE INSTALLED ARE SUBJECT TO LOCAL REVIEW, APPROVAL AND INSPECTION ON SITE BY LOCAL AUTHORITY HAVING JURISDICTION.
- 7) CABLE TRAYS/RACK ARE TO BE GROUNDED PER 2008 NEC SECTIONS 392.6 AND 392.7.

⬡ - INDICATES RECEPTACLE GROUP.



**ALARM WIRE DETAIL MODULE B**  
(ALL ALARM WIRE TO BE 18 AWG STRANDED COPPER WITHOUT A SHIELDED JACKET. COIL UP 20 FEET AND LABEL WIRES FOR FIELD INSTALLATION.)

**SITE: UNION STREET PORTLAND, ME**  
**EXTERIOR SURFACE: SIMULATED BRICK**  
**"MAY BE BUILT MIRROR IMAGED"**



<b>R3</b>	<b>GENERAL REVISIONS.</b>	<b>5-13-13</b>	<b>RAP</b>
REV NO.	DESCRIPTION	DATE	OWN BY
	<b>MODULAR CONNECTIONS, LLC</b> Phone: 205-980-4565 1090 Industrial Blvd Bessemer, AL 35022 Fax: 877-903-6335 Email: info@ModularConnections.com	<b>JR</b> <b>3-14-13</b>	<b>MODEL NO. MCP547</b>
TITLE	<b>SCHNEIDER ELECTRIC USA, INC</b> <b>MODULE B - EQUIPMENT LIST FOR 11'8"W X 32'2"L X 9'8"DH</b>	SCALE	PROJ MOR
		<b>NA</b>	<b>CRP</b>
NOTICE: These drawings and specifications are the property of Modular Connections, LLC. All information contained herein which is not known generally in the field of Modular Connections, LLC shall be confidential except to any extent to which it is established to have been known previously from sources other than Modular Connections, LLC. These drawings and specifications may not be reproduced, copied or used as the basis for the manufacture or sale of apparatus without written permission.		DRAWING NO.	SHEET
		<b>D12021 R3</b>	<b>03</b>



EQUIPMENT LIST			
IT.#	QTY	MANUF. P/N	DESCRIPTION
1	1	NQ418L1C	PANELBOARD, 100A MB 3PH 120/208VAC 16 POSITION W/ CU BUS SQ.D
2	1	SPECIAL	DOOR, 6' X 8' BLANK GALVANIZED AND PAINTED INSULATED STEEL. 11GA EXTERIOR WITH REMOVABLE MULLION (3 HR FIRE RATED)
3	1	4208R689429 LPEKFFH-071C-LC 6PN	PANIC BAR, RIM TYPE EXIT DEVICE NON HANDED FOR 3' & 3'-6" DOOR W/HANDLE & CYLINDER PDQ (STD)
4	2	ESBUL-50	DOOR BOLT, 8" HEAVY DUTY US26D SURFACE BOLT CAL-ROYAL
5	1	5100-DA-PA-11	DOOR CLOSER, WITH 519002 HOLD OPEN ARM AMERICAN EAGLE (STD)
6	1	ES11778	DOOR AWNING 84W X 24D ALUMINUM
7	1	1087TG	DOOR CONTACT, SPDT MAGNETIC GE (STD)
8	1	11340	FIRE EXTINGUISHER, 10LB DRY CHEMICAL ABC BUCKEYE
9	1	521B	SMOKE DETECTOR, PHOTOELECTRIC 24VDC AND BASE FOR FIRE CONTROL SYSTEM EDWARDS
10	3	CR5352I	RECEPTACLE, 20A 120V DUPLEX IVORY HUBBELL
11	1	W70A1-B09XP4XXJ	HVAC UNIT, 6 TON 3PH 50A WITH 9KW HEAT BARD GRAY
12	1	8403-058	THERMOSTAT, SINGLE STAGE AUTO CHANGEOVER BARD (STD)
13	2	VVW#1UHH2	THERMOSTAT, FOR HIGH/LOW TEMP ALARMS DAYTON
14	2	C-44-90LP	WIREWAY, 4" X 4" 90 DEGREE ELBOW TYPE 1 PAINTED GRAY C&I
15	3PCS	A9JA-18-144	CABLE TRAY, 18"W X 4"THK X 12' LONG FLG IN ALUMINUM HUSKY
16	1	ALJA-18VO90-12	CABLE TRAY, 18"W X 4"THK 90 DEG VERT. OUTSIDE ELBOW W/12" RADIUS FLG IN HUSKY
17	1PC		ANGLE 2" X 2" X 1/4" X 30"LG ALUMINUM MTD TO FLR & BASE OF VERT CABLE TRAY
18	4		STRUT, 1-5/8 X 1-5/8 X 24" LONG SLOTTED ZINC PLATED
19	8	SHC-M	CABLE TRAY HANGER CLIP, ZP HUSKY (STD)
20	1	C-4-66SCWP	WIREWAY, 6" X 6" X 4' LG TYPE 1 PAINTED GRAY C&I
21	2	C-66-ECF	WIREWAY, 6" ENDCAP TYPE 1 W/O KNOCKOUT PAINTED GRAY C&I
22	1		ROOF MEMBRANE TPO (NOT SHOWN)
23	6	AWN4232EB8LHUNV	LIGHT, INTERIOR FLUORESCENT 48" (2) T8 BULB 120/277V W/DIFFUSER COLUMBIA (STD)
24	1	TWR1C70S120LPI	LIGHT, EXTERIOR 70W HPS WALL PACK WITH LAMP LITHONIA
25	1	CS1221I	SWITCH, 20A 120-277V TOGGLE SPST IVORY HUBBELL
26	1	ECRLEDM6	EMERGENCY/EXIT LIGHT, 120/277VAC (2)HEAD LED W/BATT. BACKUP LITHONIA (STD)
27	3	CS1224I	SWITCH, 20A 120-277V 4-WAY IVORY HUBBELL
28	2	1871A65	DOOR PULL, 12-1/8" LG X 1/2" DIA ALUMINUM, MCMASTER (STD)
29	1	MR136 PFEF	LOCKSET, MORTISE 626 RH WITH SFIC CYLINDER & CORE PDQ (STD)
30	30	ES14007	FOAM BLOCK, 20" X 42" X 6" THK POLYSTYRENE 1 LB DENSITY
31	15	ES14053	FOAM BLOCK, 20" X 18" X 6" THK POLYSTYRENE 1 LB DENSITY
32	1	CECO VERSADOOR	DOOR, 3' X 7' MORTISE RHR GALVANIZED AND PAINTED INSULATED STEEL 3 HR FIRE
33	1	C-66-90LP	WIREWAY, 6" X 6" 90 DEGREE ELBOW TYPE 1 PAINTED GRAY C&I
34	1	C-10-66SCWP	WIREWAY, 6" X 6" X 10' LG TYPE 1 PAINTED GRAY C&I
35	5	CTGC-6-25A	GROUND CLAMP FOR CABLE TRAY, #6 THRU 250MCM OZ GEDNEY
36	95 FT	580023BS	WIRE, #4/0 BARE STRANDED COPPER
37	2		GROUND PAD, 1/4"X4"X14" (NO HOLES) COPPER TINNED PLATED
38	2	LCD4/0-14B-X	CRIMP CONNECTOR, (2)HOLE FOR #4/0 WIRE PANDUIT
39	13	#12	STRAP, GROUND CONDUCTOR SUPPORT FOR #2/0 THIN OR #4/0 BARE CLIC & #2 WELDING
40	1	EG1R-HDVM	HORN/STROBE ALARM, 24VDC WALL MOUNT GENESIS EDWARDS
41	1	270-SPO	PULL STATION 24VDC FOR FIRE ALARM CONTROL PANEL EDWARDS
42	1	6CT93	SIGN 10"W X 14"H PLASTIC "FIRE ALARM" WITH ARROW WHITE ON RED GRAINGER
43	2	CTAP4/0-4/0-X	COMPRESSION FITTING, #4/0 X #4/0 WIRE PANDUIT
44	1	TWR1CFCVU	LIGHT, EXTERIOR FULL CUTOFF VISOR LITHONIA
45	1	2001	PHOTOCELL, 15A 120V PLASTIC TORK (STD)
46	1	E-FSC302RD	FIRE ALARM PANEL, 3 ZONE WITH INTEGRAL DIALER RED EDWARDS
47	1	DSS-3	COVER PLATE, ROUND BOX EXT. RED DOT
48	1	S-47	BOX, 4" ROUND EXT. RED DOT
49	2	12VA4	BATTERY, 12VDC FOR FIKE ALARM PANEL EDWARDS

NOTES:

1)MAIN DISCONNECT GROUND WIRE MUST BE ATTACHED TO GROUNDING SYSTEM BEFORE APPLYING POWER.

2)ALL WIRE AMPACITIES BASED ON TABLE 310-16 NEC, 310-15(b)(2)(a). ALL WIRE IS RATED AT 90°C W/75°C RATED LUGS. CONDUIT FILL BASED ON ANNEX C NEC(TABLE C1).

3)ALL SERVICE ENTRANCE EQUIPMENT SHALL BE LISTED FOR IT'S USE.

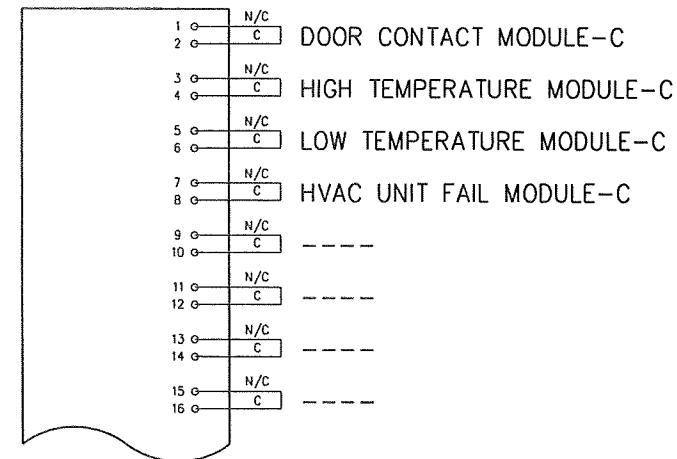
4)LOCAL BUILDING OFFICIALS: ALL THE ITEMS THAT ARE NOT COVERED IN THE APPROVAL PROCESS ARE TO BE SITE INSTALLED. ALL SITE INSTALLED ITEMS ARE SUBJECT TO LOCAL REVIEW, APPROVAL AND INSPECTION PROCESS.

5)DOOR LOCKSET INSIDE LEVER HAS AN ANSI F13 FUNCTION THAT RETRACTS LATCH AND DEADBOLT UPON ROTATION OF LEVER.

6)ALL ITEMS THAT ARE SITE INSTALLED ARE SUBJECT TO LOCAL REVIEW, APPROVAL AND INSPECTION ON SITE BY LOCAL AUTHORITY HAVING JURISDICTION.

7)CABLE TRAYS/RACK ARE TO BE GROUNDED PER 2008 NEC SECTIONS 392.6 AND 392.7.

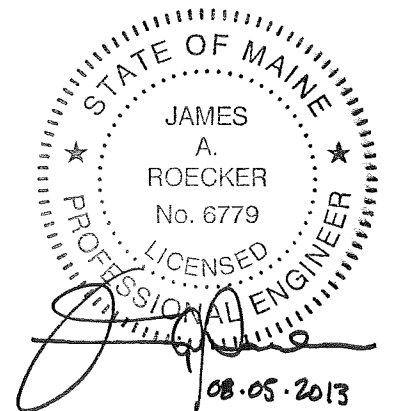
⬡ - INDICATES RECEPTACLE GROUP.



ALARM WIRE DETAIL MODULE C

(ALL ALARM WIRE TO BE 18 AWG STRANDED COPPER WITHOUT A SHIELDED JACKET. COIL UP 32 FEET AND LABEL WIRES FOR FIELD INSTALLATION.)

SITE: UNION STREET PORTLAND, ME  
EXTERIOR SURFACE: SIMULATED BRICK  
"MAY BE BUILT MIRROR IMAGED"



R3	GENERAL REVISIONS.	7-9-13	RAP
REV. NO.	DESCRIPTION	DATE	OWN BY
1	MODULAR CONNECTIONS, LLC 1090 Industrial Blvd Bessemer, AL 35022	3-14-13	MCP547
2	SCHNEIDER ELECTRIC USA, INC MODULE C - EQUIPMENT LIST FOR 11'6"W X 32'2"L X 9'8"H	NA	CRP
NOTICE: These drawings and specifications are the property of Modular Connections, LLC. All information contained herein which is not known generally in the field of Modular Connections, LLC shall be confidential except to any extent to which it is established to have been known previously from sources other than Modular Connections, LLC. These drawings and specifications may not be reproduced, copied or used as the basis for the manufacture or sale of apparatus without written permission.		DRAWING NO.	SHEET
		D12021 R3	05

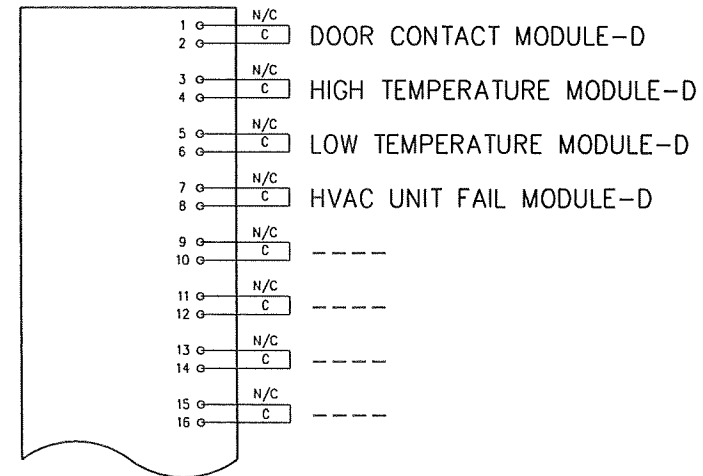


EQUIPMENT LIST			
IT.#	QTY	MANUF. P/N	DESCRIPTION
1	1	NQ418L1C	PANELBOARD, 100A MB 3PH 120/208VAC 16 POSITION W/ CU BUS SQ.D
2	1	SPECIAL	DOOR, 6' X 8' BLANK GALVANIZED AND PAINTED INSULATED STEEL 11GA EXTERIOR WITH REMOVABLE MULLION (3 HR FIRE RATED)
3	1	4208R689429 LPEKFH-071C-LC 6PN	PANIC BAR, RIM TYPE EXIT DEVICE NON HANDED FOR 3' & 3'-6" DOOR W/HANDLE & CYLINDER PDQ (STD)
4	2	ESBUL-50	DOOR BOLT, 8" HEAVY DUTY US26D SURFACE BOLT CAL-ROYAL
5	1	5100-DA-PA-11	DOOR CLOSER, WITH 519002 HOLD OPEN ARM AMERICAN EAGLE (STD)
6	1	ES11778	DOOR AWNING 84W X 24D ALUMINUM
7	1	1087TG	DOOR CONTACT, SPDT MAGNETIC GE (STD)
8	1	11340	FIRE EXTINGUISHER, 10LB DRY CHEMICAL ABC BUCKEYE
9	1	521B	SMOKE DETECTOR, PHOTOELECTRIC 24VDC AND BASE FOR FIRE CONTROL SYSTEM EDWARDS
10	3	CR53521	RECEPTACLE, 20A 120V DUPLEX IVORY HUBBELL
11	1	W70A1-B09XP4XXJ	HVAC UNIT, 6 TON 3PH 50A WITH 9KW HEAT BARD GRAY
12	1	8403-058	THERMOSTAT, SINGLE STAGE AUTO CHANGEOVER BARD (STD)
13	2	WW #1UHH2	THERMOSTAT, FOR HIGH/LOW TEMP ALARMS DAYTON
14	1	C-44-90LP	WIREWAY, 4" X 4" 90 DEGREE ELBOW TYPE 1 PAINTED GRAY C&I
15	3PCS	A9JA-18-144	CABLE TRAY, 18"W X 4"THK X 12' LONG FLG IN ALUMINUM HUSKY
16	1	ALJA-18VO90-12	CABLE TRAY, 18"W X 4"THK 90 DEG VERT. OUTSIDE ELBOW W/12" RADIUS FLG IN HUSKY
17	1PC		ANGLE, 2" X 2" X 1/4" X 30"LG ALUMINUM MTD TO FLR & BASE OF VERT CABLE TRAY
18	5		STRUT, 1-5/8 X 1-5/8 X 24" LONG SLOTTED ZINC PLATED
19	10	SHC-M	CABLE TRAY HANGER CLIP, ZP HUSKY (STD)
20	1	C-4-66SCWP	WIREWAY, 6" X 6" X 4' LG TYPE 1 PAINTED GRAY C&I
21	2	C-44-ECP	WIREWAY, 4" ENDCAP TYPE 1 W/O KNOCKOUT PAINTED GRAY C&I
22	1		ROOF MEMBRANE TPO (NOT SHOWN)
23	6	AWN4232EB8LHUNV	LIGHT, INTERIOR FLUORESCENT 48" (2) T8 BULB 120/277V W/DIFFUSER COLUMBIA (STD)
24	1	TWR1C70S120LPI	LIGHT, EXTERIOR 70W HPS WALL PACK WITH LAMP LITHONIA
25	1	CS12211	SWITCH, 20A 120-277V TOGGLE SPST IVORY HUBBELL
26	1	ECRLEDM6	EMERGENCY/EXIT LIGHT, 120/277VAC (2)HEAD LED W/BATT. BACKUP LITHONIA (STD)
27	2	CS12231	SWITCH, 20A 120-277V 3-WAY IVORY HUBBELL
28	2	1871A65	DOOR PULL, 12-1/8" LG X 1/2" DIA ALUMINUM, MCMASTER (STD)
29	1	MR136 PFEF	LOCKSET, MORTISE 626 RH WITH SFIC CYLINDER & CORE PDQ (STD)
30	30	ES14007	FOAM BLOCK, 20" X 42" X 6" THK POLY STYRENE 1 LB DENSITY
31	15	ES14053	FOAM BLOCK, 20" X 18" X 6" THK POLY STYRENE 1 LB DENSITY
32	1	CECO VERSADOOR	DOOR, 3' X 7' MORTISE RHR GALVANIZED AND PAINTED INSULATED STEEL. 3 HR FIRE
33	5	CTGC-6-25A	GROUND CLAMP FOR CABLE TRAY, #6 THRU 250MCM OZ GEDNEY
34	95 FT	580023BS	WIRE, #4/0 BARE STRANDED COPPER
35	2		GROUND PAD, 1/4"X4"X14" (NO HOLES) COPPER TINNED PLATED
36	2	LCD4/0-14B-X	CRIMP CONNECTOR, (2)HOLE FOR #4/0 WIRE PANDUIT
37	13	#12	STRAP, GROUND CONDUCTOR SUPPORT FOR #2/0 THIN OR #4/0 BARE CLIC & #2 WELDING
38	1	EG1R-HDVM	HORN/STROBE ALARM, 24VDC WALL MOUNT GENESIS EDWARDS
39	1	270-SPO	PULL STATION 24VDC FOR FIRE ALARM CONTROL PANEL EDWARDS
40	1	6CT93	SIGN 10"W X 14"H PLASTIC "FIRE ALARM" WITH ARROW WHITE ON RED GRAINGER
41	1	ALJA-18H90-12	CABLE TRAY, 18"W X 4"THK 90 DEG HORIZ. ELBOW W/12" RADIUS FLG IN HUSKY
42	2	CTAP4/0-4/0-X	COMPRESSION FITTING, #4/0 X #4/0 WIRE PANDUIT
43	1	TWR1CFVCVU	LIGHT, EXTERIOR FULL CUTOFF VISOR LITHONIA
44	1	2001	PHOTOCELL, 15A 120V PLASTIC TORK (STD)
45	1	DSS-3	COVER PLATE, ROUND BOX EXT. RED DOT
46	1	S-47	BOX, 4" ROUND EXT. RED DOT

NOTES:

- 1)MAIN DISCONNECT GROUND WIRE MUST BE ATTACHED TO GROUNDING SYSTEM BEFORE APPLYING POWER.
- 2)ALL WIRE AMPACITIES BASED ON TABLE 310-16 NEC, 310-15(b)(2)(a). ALL WIRE IS RATED AT 90°C W/75°C RATED LUGS. CONDUIT FILL BASED ON ANNEX C NEC(TABLE C1).
- 3)ALL SERVICE ENTRANCE EQUIPMENT SHALL BE LISTED FOR IT'S USE.
- 4)LOCAL BUILDING OFFICIALS: ALL THE ITEMS THAT ARE NOT COVERED IN THE APPROVAL PROCESS ARE TO BE SITE INSTALLED. ALL SITE INSTALLED ITEMS ARE SUBJECT TO LOCAL REVIEW, APPROVAL AND INSPECTION PROCESS.
- 5)DOOR LOCKSET INSIDE LEVER HAS AN ANSI F13 FUNCTION THAT RETRACTS LATCH AND DEADBOLT UPON ROTATION OF LEVER.
- 6)ALL ITEMS THAT ARE SITE INSTALLED ARE SUBJECT TO LOCAL REVIEW, APPROVAL AND INSPECTION ON SITE BY LOCAL AUTHORITY HAVING JURISDICTION.
- 7)CABLE TRAYS/RACK ARE TO BE GROUNDED PER 2008 NEC SECTIONS 392.6 AND 392.7.

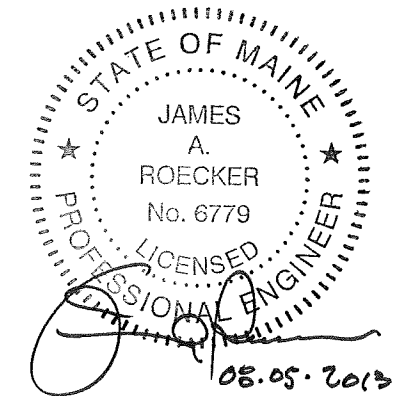
⬡ - INDICATES RECEPTACLE GROUP.



TERMINAL STRIP DETAIL MODULE D

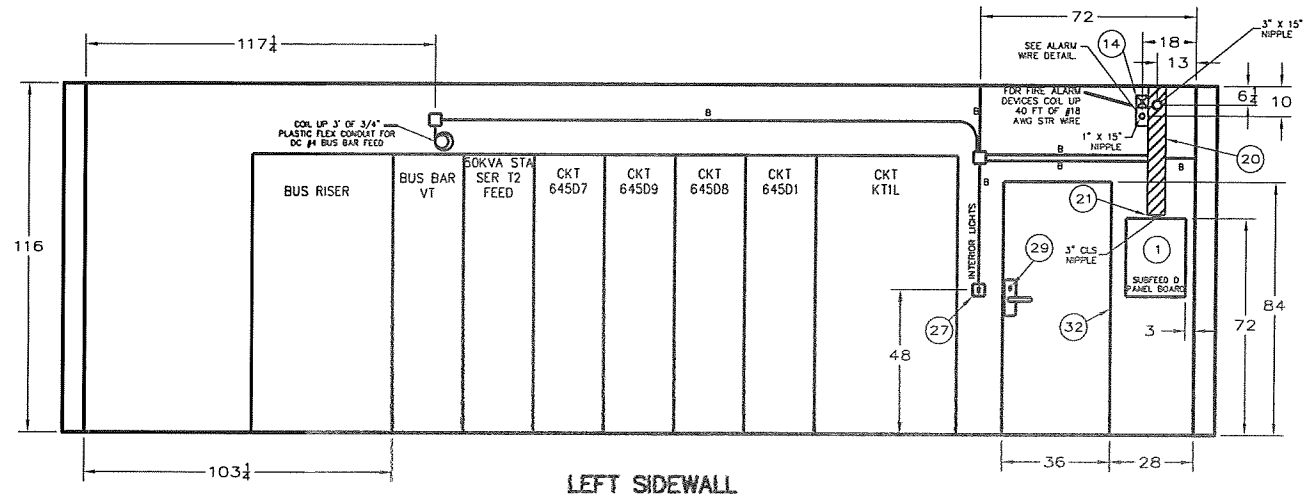
(ALL ALARM WIRE TO BE 18 AWG STRANDED COPPER WITHOUT A SHIELDED JACKET. COIL UP 45 FEET AND LABEL WIRES FOR FIELD INSTALLATION.)

SITE: UNION STREET PORTLAND, ME  
EXTERIOR SURFACE: SIMULATED BRICK  
"MAY BE BUILT MIRROR IMAGED"

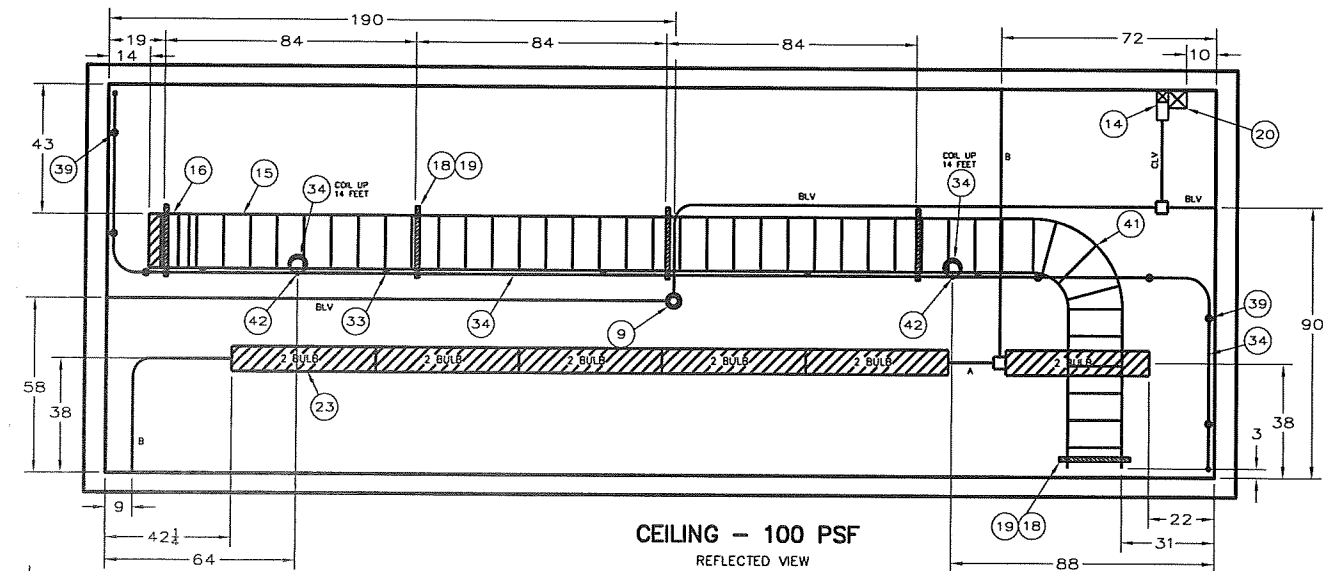


R3	GENERAL REVISIONS.	7-9-13	RAP
REV NO.	DESCRIPTION	DATE	DWN BY
<b>MODULAR CONNECTIONS, LLC</b> 1090 Industrial Blvd Bessemer, AL 35022 Phone: 205-980-4565 Fax: 877-903-6335 Email: info@ModularConnections.com		DRAWN BY: JR DATE: 3-14-13 MODEL NO.: MCP547	
TITLE: SCHNEIDER ELECTRIC USA, INC MODULE D - EQUIPMENT LIST FOR 11'8"W X 32'2"L X 9'8"H		SCALE: NA PROJ MGR: CRP	
NOTICE: These drawings and specifications are the property of Modular Connections, LLC. All information contained herein which is not known generally in the field of Modular Connections, LLC shall be confidential except to any extent to which it is established to have been known previously from sources other than Modular Connections, LLC. These drawings and specifications may not be reproduced, copied or used as the basis for the manufacture or sale of apparatus without written permission.			DRAWING NO.: D12021 R3 SHEET: 07

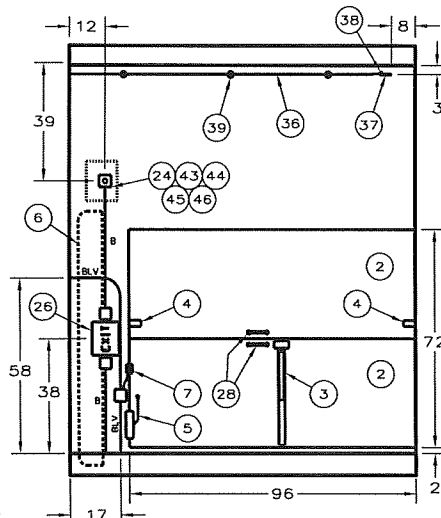




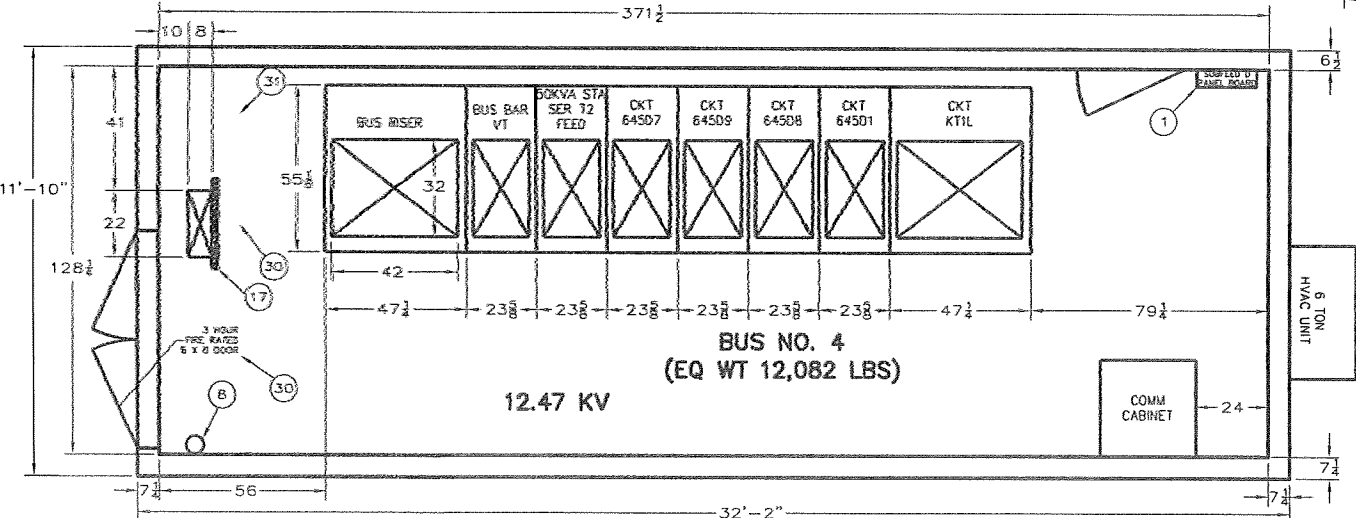
LEFT SIDEWALL



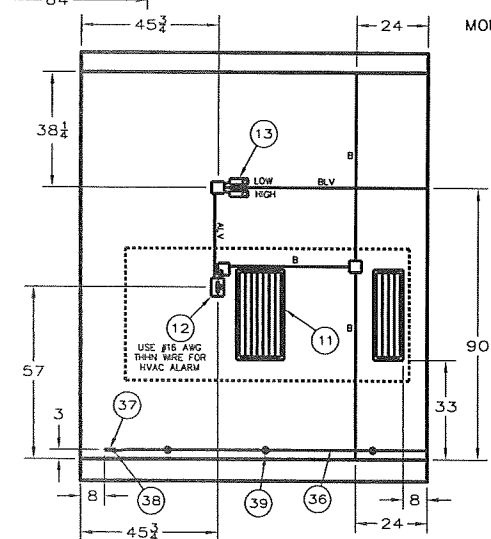
CEILING - 100 PSF  
REFLECTED VIEW  
MOUNT CABLE TRAY 102" A.F.F. TO  
BOTTOM OF TRAY



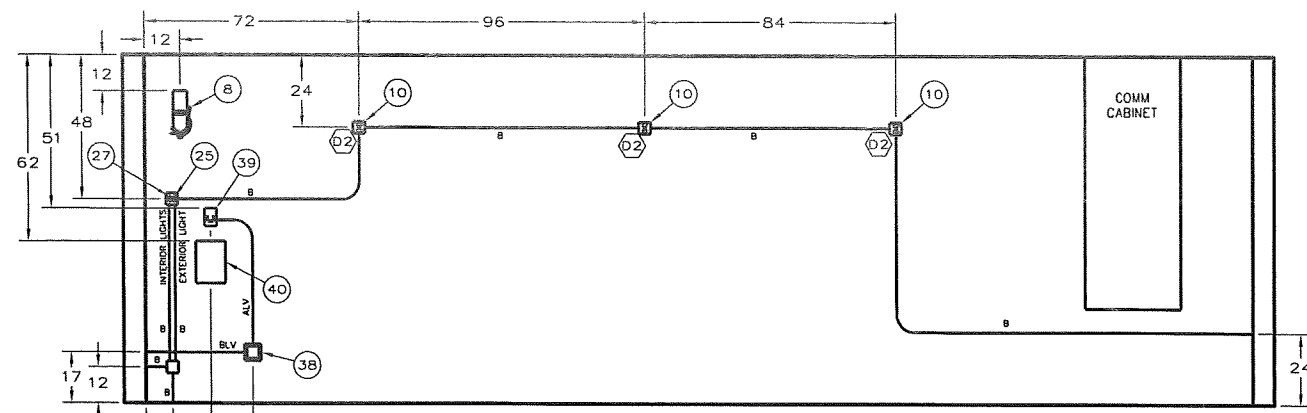
FRONT ENDWALL



MODULE D FLOOR - 250PSF LOAD



REAR ENDWALL

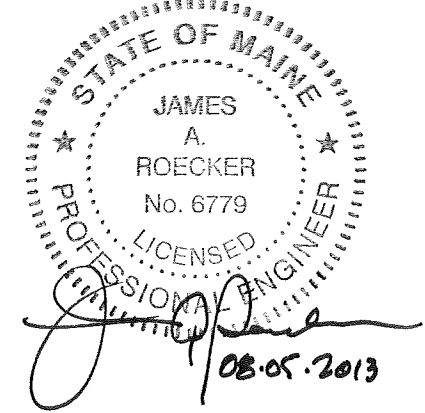


RIGHT SIDEWALL

CONDUIT KEY	
(R) A = 1/2" (LV)	(R) G = 3" (LV)
(R) B = 3/4" (LV)	(R) H = 4" (LV)
(R) C = 1" (LV)	
(R) D = 1-1/4" (LV)	
(R) E = 2" (LV)	
(R) F = 2-1/2" (LV)	

NOTES:  
1) LV DESIGNATES LOW VOLTAGE CONDUIT.  
2) R DESIGNATES RIGID CONDUIT.

STANDARD CONDUIT FITTINGS ARE DIECAST SET-SCREW TYPE EXCEPT WHERE SPECIFIED OTHERWISE ON DRAWING



SITE: UNION STREET PORTLAND, ME  
EXTERIOR SURFACE: SIMULATED BRICK  
"MAY BE BUILT MIRROR IMAGED"

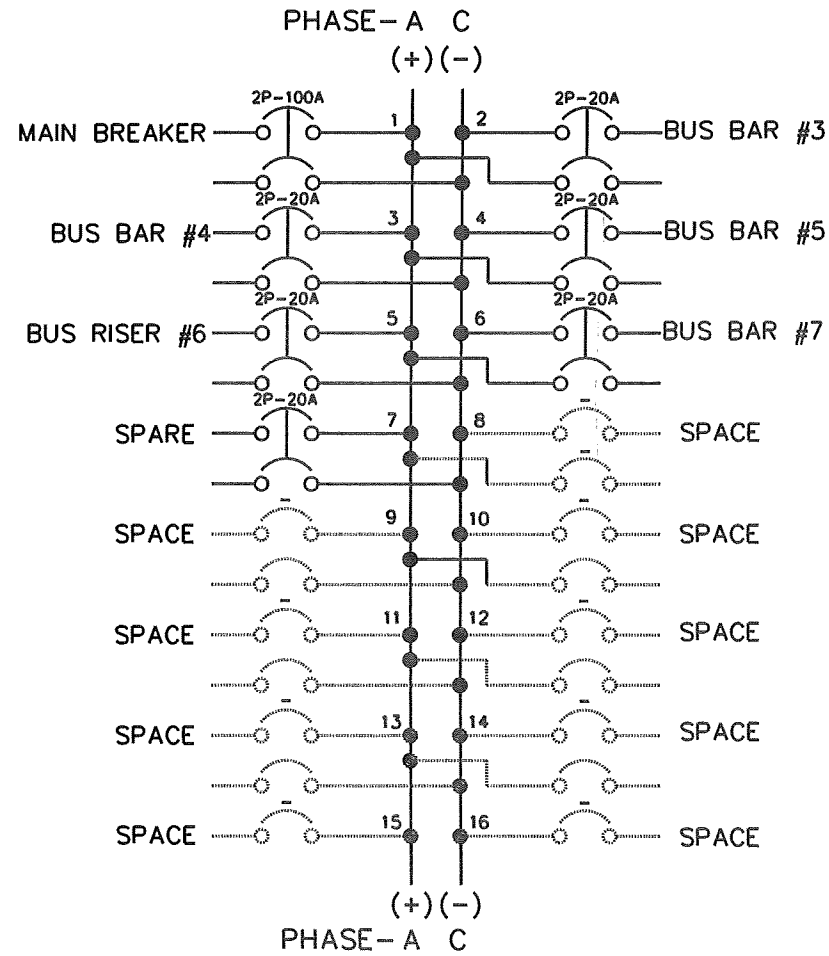
REV NO.	DESCRIPTION	DATE	DWN BY
R3	GENERAL REVISIONS.	7-8-13	RAP
<b>MODULAR CONNECTIONS, LLC</b> 1090 Industrial Blvd Bessemer, AL 35022 Phone: 205-980-4565 Fax: 877-903-6335 Email: info@ModularConnections.com		DRAWN BY: JR DATE: 3-14-13 MODEL NO.: MCP547	PROJ MGR: CLP
TITLE: SCHNEIDER ELECTRIC USA, INC SHELTER MODULE D, 11'8"W X 32'2"L X 9'8"EH		SCALE: NA	DRAWING NO.: D12021 R3 SHEET: 08

NOTICE: These drawings and specifications are the property of Modular Connections, LLC. All information contained herein which is not known generally in the field of Modular Connections, LLC shall be confidential except to any extent to which it is established to have been known previously from sources other than Modular Connections, LLC. These drawings and specifications may not be reproduced, copied or used as the basis for the manufacture or sale of apparatus without written permission.

DC PANEL (MODULE A)

MAIN: 225A LUG

VOLTAGE: 125VDC



- NOTES:
- 1) ALL BREAKERS TO BE SQ. D TYPE FA24 (PHASE A & C) BREAKERS 125VDC AT A 10 KAIC RATING.
  - 2) BOTTOM FEED MAIN LUG I-LINE PANEL BOARD 45 INCH MOUNTING SPACE SQ.D. #HCN23652N
  - 3) BOX #HC2665B, TRIM #HCN65TSD

MODULE (A) MAIN AC PANEL

MAIN: 400A MB				VOLTAGE: 120/208VAC				PHASE: 3				WIRE: 5			
LOCATION	BRKR	WIRE	NO					NO	WIRE	BRKR	LOCATION				
MODULE B	100A	#2	1					2	#12	20A	INT/EMERG LIGHTS				
"	"	"	3					4	"	20A	RECEPT GRP #4				
"	"	"	5					6	#12	20A	FIRE PANEL				
MODULE C	100A	#2	7					8	#12	20A	EXTERIOR LIGHT				
"	"	"	9					10	"	20A	SPARE				
"	"	"	11					12	"	20A	SPARE				
MODULE D	100A	#2	13					14	"	20A	SPARE				
"	"	"	15					16	"	20A	SPARE				
"	"	"	17					18	"	"	"				
HVAC UNIT	50A	#8	19					20	"	"	"				
"	"	"	21					22	"	"	"				
"	"	"	23					24	"	"	"				
BUS BAR #5	15A	#12	25					26	"	"	"				
"	"	"	27					28	"	"	"				
"	"	"	29					30	"	"	"				
BUS BAR #6	15A	#12	31					32	"	"	"				
"	"	"	33					34	"	"	"				
"	"	"	35					36	"	"	"				
"	"	"	37					38	"	"	"				
"	"	"	39					40	"	"	"				
"	"	"	41					42	"	"	"				

- NOTES:
- 1) USE BOLT-ON TYPE OOB BREAKERS.
  - 2) MAIN BREAKER KIT #NOMB4A.
  - 3) MAIN BREAKER #AL36400 42KA RATING.
  - 4) PANELBOARD #NQ442L4C WITH COPPER BUS.
  - 5) BOX #MH62, COVER #NC62VSHR.

MODULE B PANEL BOARD

MAIN: 100A MB				VOLTAGE: 120/208VAC				PHASE: 3				WIRE: 5			
LOCATION	BRKR	WIRE	NO					NO	WIRE	BRKR	LOCATION				
MAIN BREAKER	100A	#3	1					2	#12	20A	RECEPT GRP #2				
"	"	"	3					4	"	20A	SPARE				
"	"	"	5					6	#12	20A	EXTERIOR LIGHT				
HVAC UNIT	50A	#8	7					8	#12	20A	INT/EMERG LIGHTS				
"	"	"	9					10	#12	20A	EXTERIOR GFCI RECEPTACLE				
"	"	"	11					12	"	20A	SPARE				
BUS BAR #7	15A	#12	13					14	"	"	"				
"	"	"	15					16	"	"	"				
"	"	"	17					18	"	"	"				

- NOTES:
- 1) USE BOLT-ON TYPE OOB BREAKERS.
  - 2) MAIN BREAKER #00B3100 RATED FOR 10KA.
  - 3) PANELBOARD #NQ418L1C WITH COPPER BUS.
  - 4) BOX #MH26, COVER #NC26SHR.

MODULE C PANEL BOARD

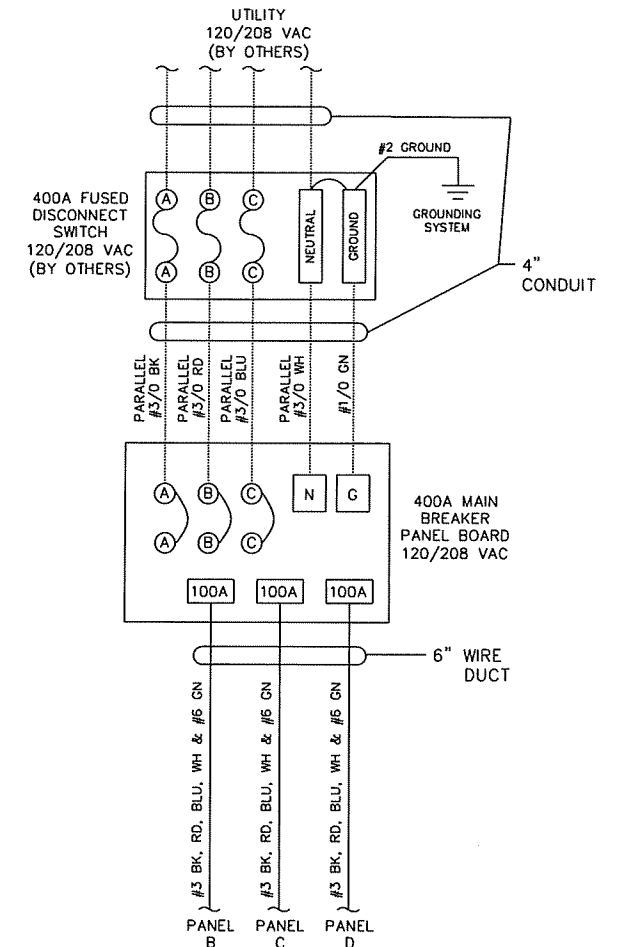
MAIN: 100A MB				VOLTAGE: 120/208VAC				PHASE: 3				WIRE: 5			
LOCATION	BRKR	WIRE	NO					NO	WIRE	BRKR	LOCATION				
MAIN BREAKER	100A	#3	1					2	#12	20A	RECEPT GRP #2				
"	"	"	3					4	#12	20A	FIRE PANEL				
"	"	"	5					6	#12	20A	EXTERIOR LIGHT				
HVAC UNIT	50A	#8	7					8	#12	20A	INT/EMERG LIGHTS				
"	"	"	9					10	"	20A	SPARE				
"	"	"	11					12	"	20A	SPARE				
BUS BAR #3	15A	#12	13					14	"	"	"				
"	"	"	15					16	"	"	"				
"	"	"	17					18	"	"	"				

- NOTES:
- 1) USE BOLT-ON TYPE OOB BREAKERS.
  - 2) MAIN BREAKER #00B3100 RATED FOR 10KA.
  - 3) PANELBOARD #NQ418L1C WITH COPPER BUS.
  - 4) BOX #MH26, COVER #NC26SHR.

MODULE D PANEL BOARD

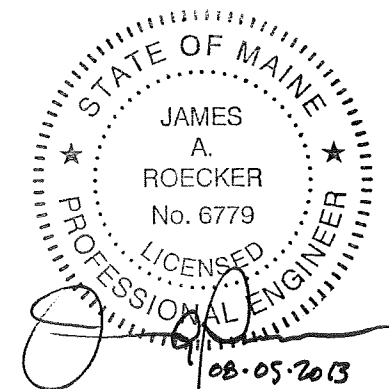
MAIN: 100A MB				VOLTAGE: 120/208VAC				PHASE: 3				WIRE: 5			
LOCATION	BRKR	WIRE	NO					NO	WIRE	BRKR	LOCATION				
MAIN BREAKER	100A	#3	1					2	#12	20A	RECEPT GRP #2				
"	"	"	3					4	"	20A	SPARE				
"	"	"	5					6	#12	20A	EXTERIOR LIGHT				
HVAC UNIT	50A	#8	7					8	#12	20A	INT/EMERG LIGHTS				
"	"	"	9					10	"	20A	SPARE				
"	"	"	11					12	"	"	"				
BUS BAR #4	15A	#12	13					14	"	"	"				
"	"	"	15					16	"	"	"				
"	"	"	17					18	"	"	"				

- NOTES:
- 1) USE BOLT-ON TYPE OOB BREAKERS.
  - 2) MAIN BREAKER #00B3100 RATED FOR 10KA.
  - 3) PANELBOARD #NQ418L1C WITH COPPER BUS.
  - 4) BOX #MH26, COVER #NC26SHR.



- NOTES:
- 1) ALL NEUTRALS AFTER MAIN DISCONNECT WILL BE ISOLATED FROM GROUND.
  - 2) ALL WIRE IS THHN TYPE INSULATION.
  - 3) DOTTED LINES INDICATE WIRED BY OTHERS.

POWER WIRING DIAGRAM

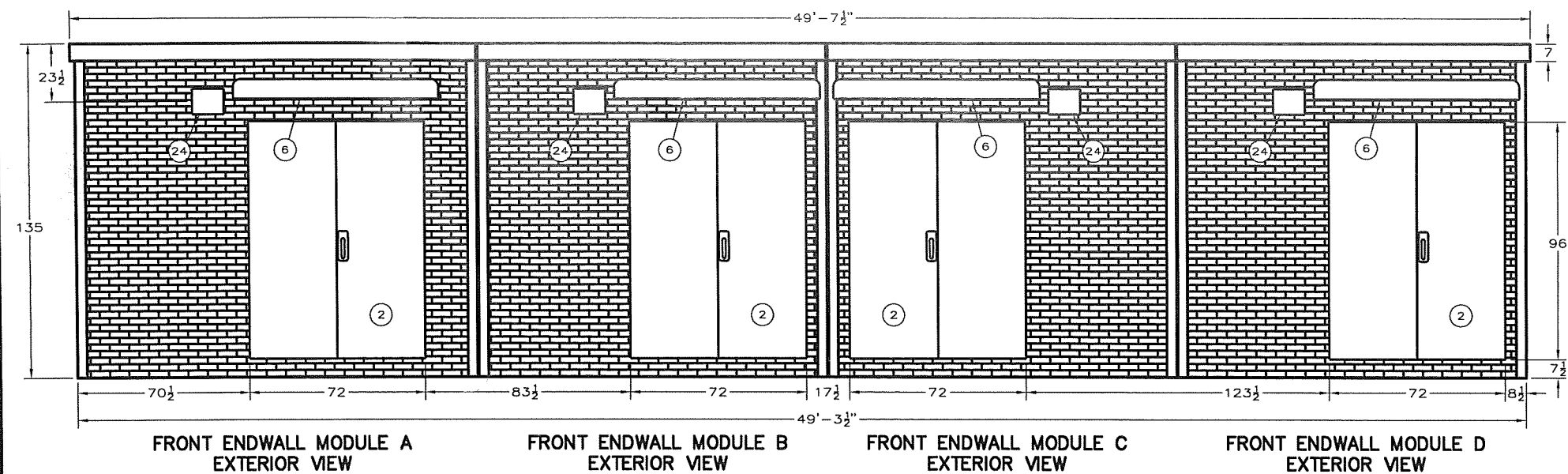
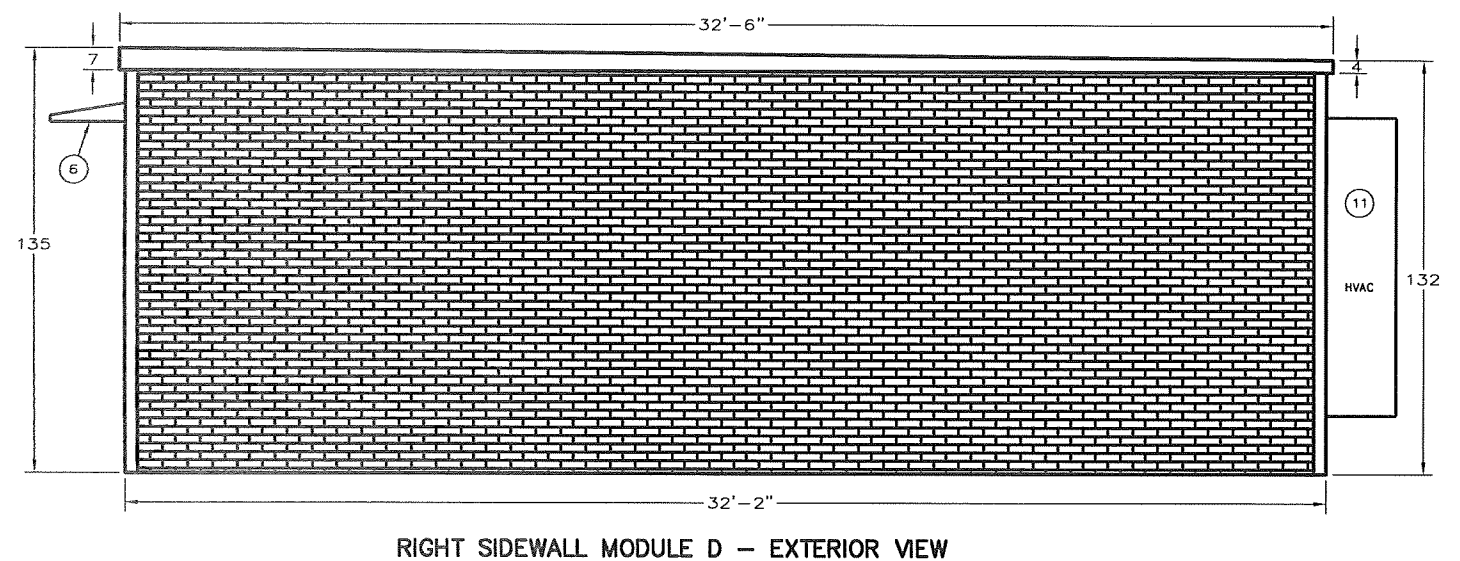
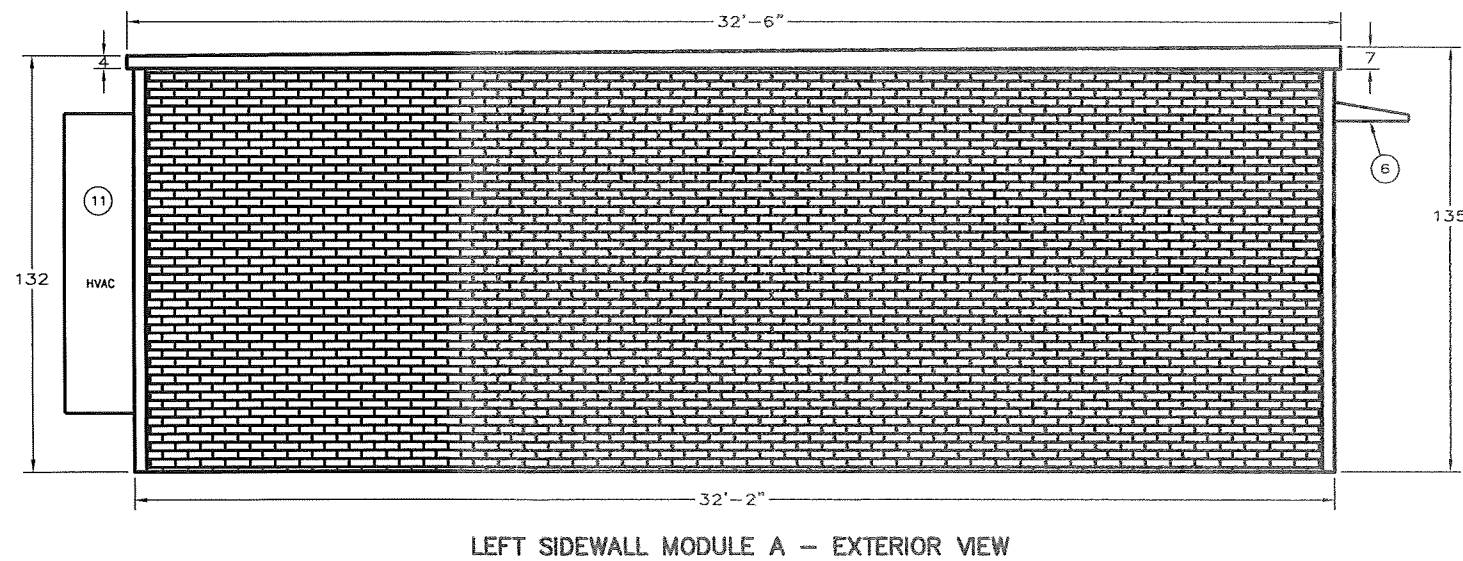
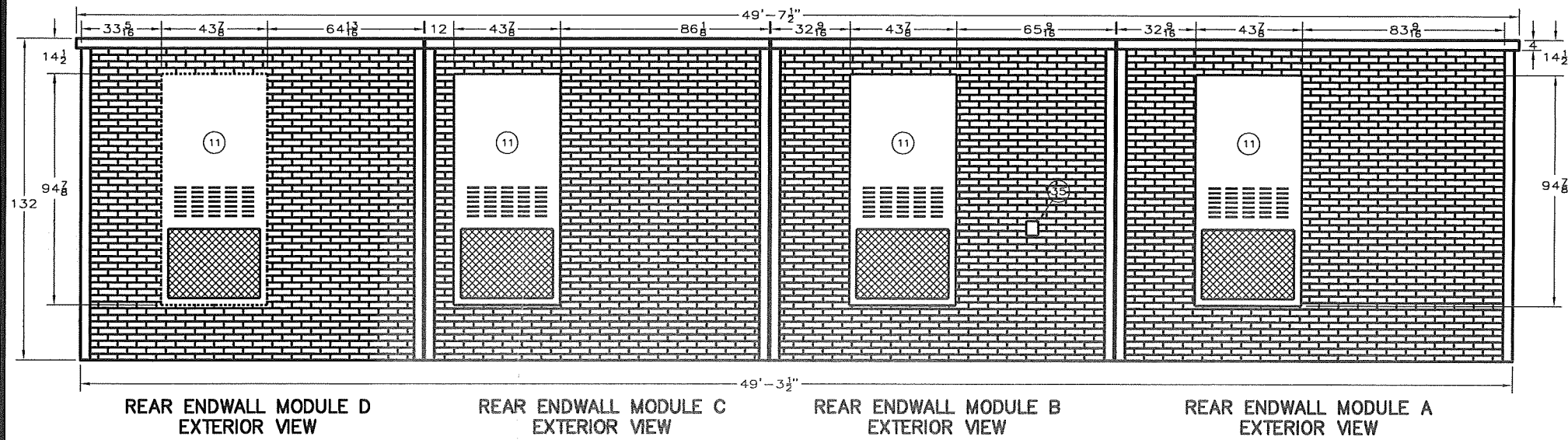


SITE: UNION STREET PORTLAND, ME  
"MAY BE BUILT MIRROR IMAGED"

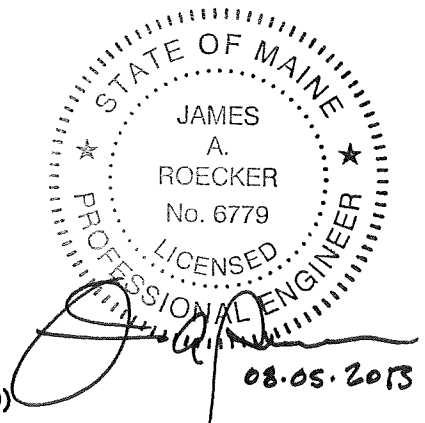
REV NO	DESCRIPTION	DATE	BY
R2	GENERAL REVISIONS.	7-11-13	RAP

<b>MODULAR CONNECTIONS, LLC</b> 1090 Industrial Blvd Bessemer, AL 35022 Phone: 205-980-4565 Fax: 877-903-6335 Email: info@ModularConnections.com	DRAWN BY: JR DATE: 3-14-13 SCALE: NA PROJ MGR: CLP	MODEL NO.: MCP547 SHEET: D12021 R2 OF: 09
---	---	---

NOTICE: These drawings and specifications are the property of Modular Connections, LLC. All information contained herein which is not known generally in the field of Modular Connections, LLC shall be confidential except to any extent to which it is established to have been known previously from sources other than Modular Connections, LLC. These drawings and specifications may not be reproduced, copied or used as the basis for the manufacture or sale of apparatus without written permission.



EXTERIOR SURFACE: SIMULATED BRICK (COLOR TBD)  
 "MAY BE BUILT MIRROR IMAGED"



R2	GENERAL REVISIONS.	7-10-13	RAP
REV NO.	DESCRIPTION	DATE	OWN BY
MODULAR CONNECTIONS, LLC	Phone: 205-980-4565 1090 Industrial Blvd Bessemer, AL 35022 Fax: 877-903-6335 Email: info@ModularConnections.com	JR 3-22-13	MCP547
TITLE	SCHNEIDER ELECTRIC USA, INC EXTERIOR ELEVATION VIEWS	SCALE NA	PROJ WGR CLP
NOTICE: These drawings and specifications are the property of Modular Connections, LLC. All information contained herein which is not known generally in the field of Modular Connections, LLC shall be confidential except to any extent to which it is established to have been known previously from sources other than Modular Connections, LLC. These drawings and specifications may not be reproduced, copied or used as the basis for the manufacture or sale of apparatus without written permission.			DRAWING NO. D12021 R2
			SHEET 10