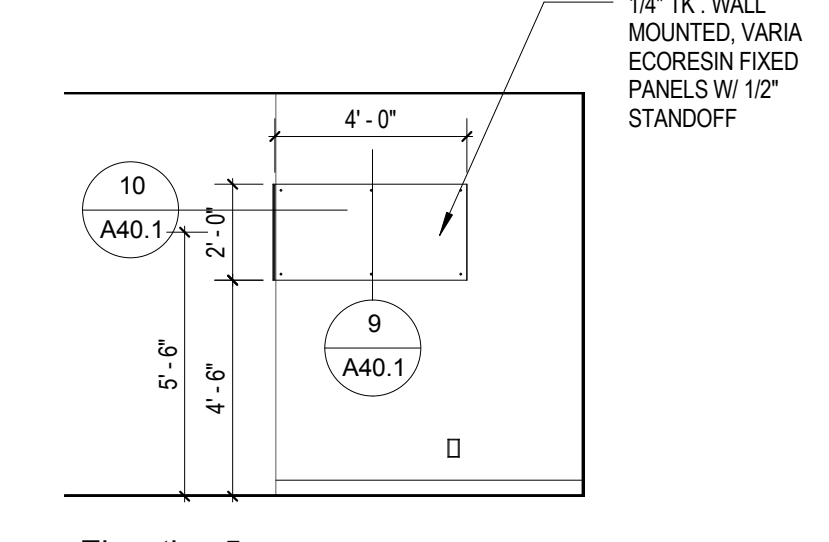
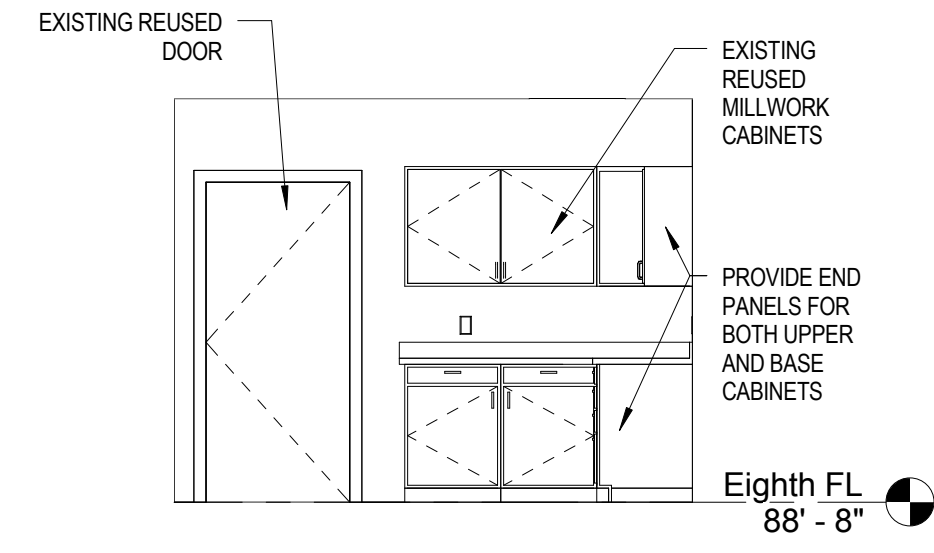


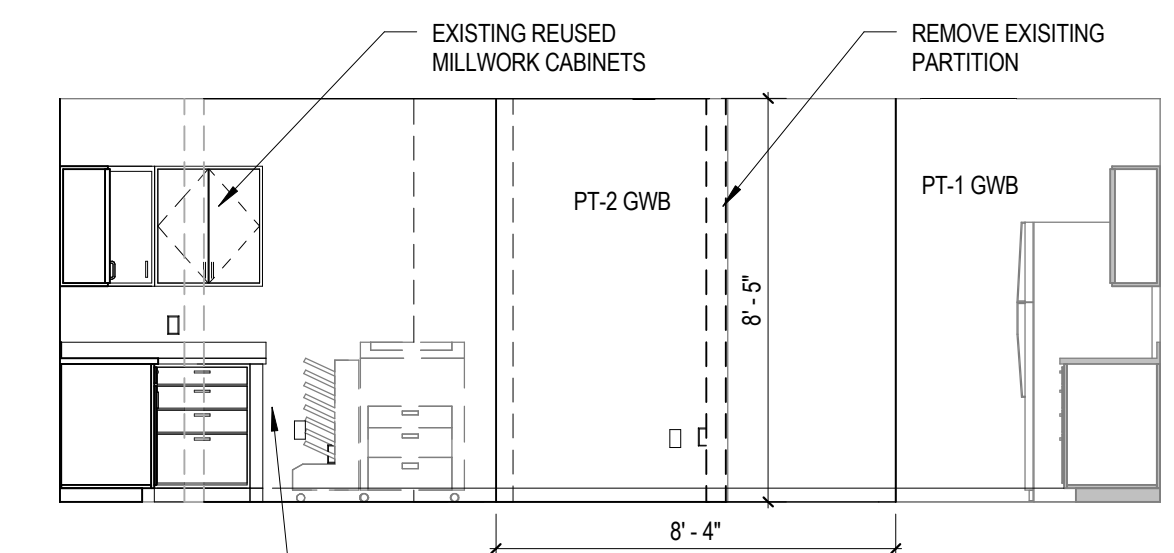
8 Elevation 4 - a  
 1/4" = 1'-0"



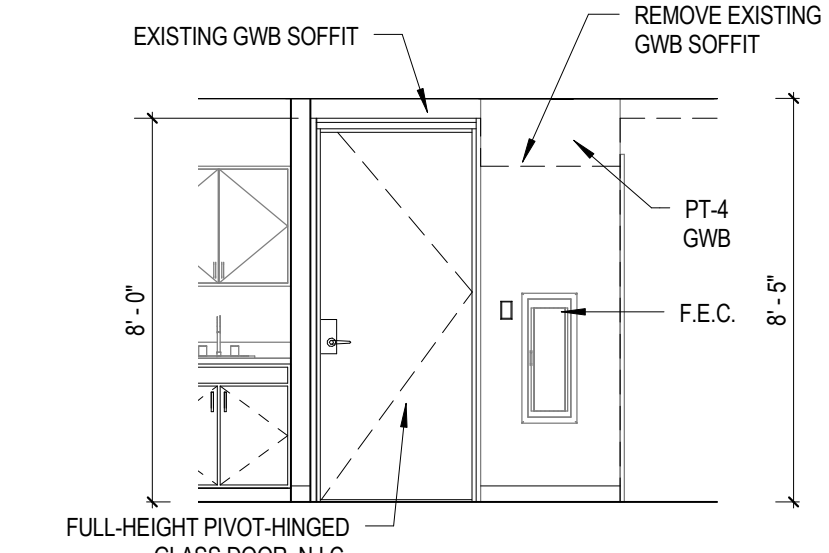
7 Elevation 5 - a  
 1/4" = 1'-0"



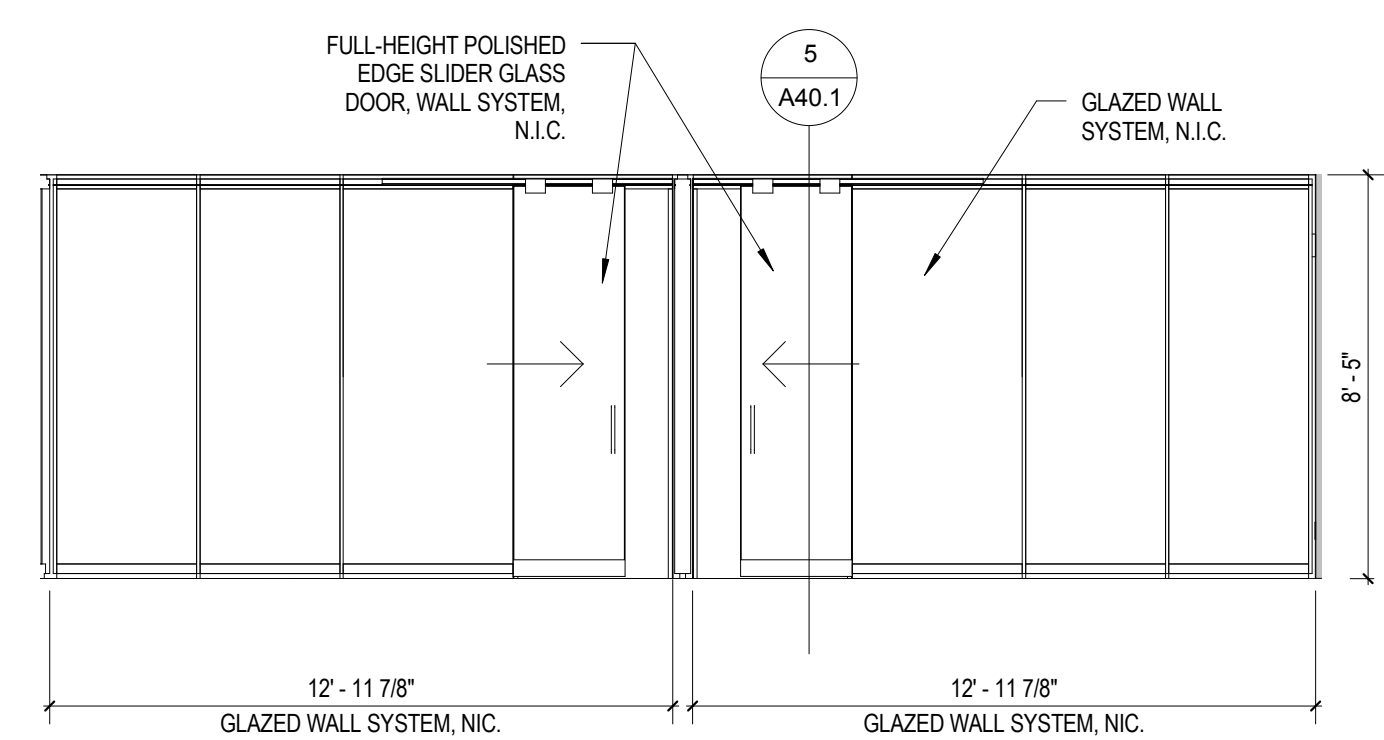
6 Elevation 3 - a  
 1/4" = 1'-0"



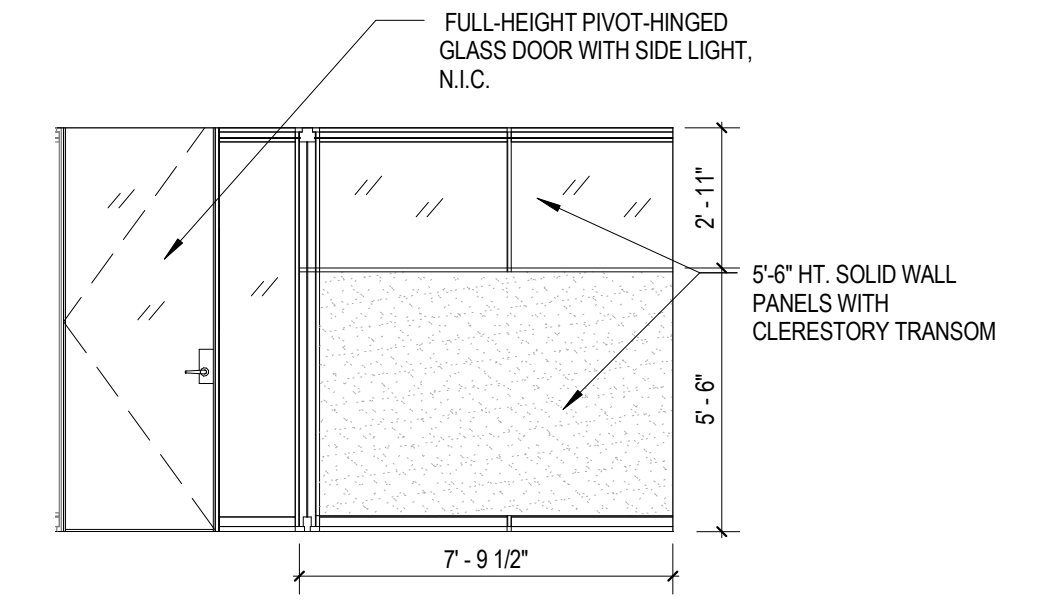
5 COPY ROOM ELEVATION  
 1/4" = 1'-0"



4 KITCHEN/COPY ELEVATION  
 1/4" = 1'-0"



3 Elevation 2 - a  
 1/4" = 1'-0"



2 Elevation 1 - a  
 1/4" = 1'-0"

Door Schedule							
Mark	Width	Height	Thickness	Type	Finish	Frame Material	Description
817	3' - 0"	6' - 8"	0' - 2"	36" x 80"	HM	HM	REUSED/RELOCATE EXIST. DOOR

Mark | Date | Description  
 Project Status  
**ISSUED FOR PERMIT**  
 12/09/13

Drawing Title  
**INTERIOR  
 ELEVATIONS &  
 DOOR SCHEDULE**  
 Scale: 1/4" = 1'-0"

Drawing Number  
**A81.0**