



Administrative Authorization Application
 Portland, Maine
 Planning and Urban Development Department, Planning Division

PROJECT NAME: SAVINGS BANK OF MAINE ENTRY IMPROVEMENTS
 PROJECT ADDRESS: TWO CANAL PLAZA, PORTLAND CHART/BLOCK/LOT: MAP 32, BLOCK 1 PARCEL 33
 APPLICATION FEE: ✓ (\$50.00) MAP 32, BLOCK 1 PARCEL 1-7

PROJECT DESCRIPTION: (Please Attach Sketch/Plan of the Proposal/Development)

PROPOSED EXTERIOR LED LIGHTING

CONTACT INFORMATION:

OWNER/APPLICANT

Name: John W. Everets CEO
 Address: SAVINGS BANK OF MAINE
190 WATER ST. GARDINER ME 04345
 Work #: 207-582-5550
 Cell #: _____
 Fax #: 207-588-2023
 Home #: _____
 E-mail: JEVERETS@SAVINGS
BANK OF MAINE.COM

CONSULTANT/AGENT

Name: RACHEL SUNNELL
 Address: GAWRON TURBEON ARCHITECTS
 Work #: 207-883-6307
 Cell #: _____
 Fax #: 207-883-0361
 Home #: _____
 E-mail: RSUNNELL@GAWRON
TURBEON.COM

Criteria for an Administrative Authorizations:
 (see section 14-523(4) on pg. 2 of this appl.)

Applicant's Assessment Planning Division
 Y(yes), N(no), N/A Y(yes), N(no), N/A

- | | | |
|---|------------|------------|
| a) Is the proposal within existing structures? | <u>NO</u> | <u>Yes</u> |
| b) Are there any new buildings, additions, or demolitions? | <u>NO</u> | <u>NO</u> |
| c) Is the footprint increase less than 500 sq. ft.? | <u>N/A</u> | <u>N/A</u> |
| d) Are there any new curb cuts, driveways or parking areas? | <u>NO</u> | <u>NO</u> |
| e) Are the curbs and sidewalks in sound condition? | <u>NO</u> | <u>Yes</u> |
| f) Do the curbs and sidewalks comply with ADA? | <u>N/A</u> | <u>n/a</u> |
| g) Is there any additional parking? | <u>NO</u> | <u>NO</u> |
| h) Is there an increase in traffic? | <u>NO</u> | <u>NO</u> |
| i) Are there any known stormwater problems? | <u>NO</u> | <u>NO</u> |
| j) Does sufficient property screening exist? | <u>N/A</u> | <u>N/A</u> |
| k) Are there adequate utilities? | <u>YES</u> | <u>Yes</u> |
| l) Are there any zoning violations? | <u>NO</u> | <u>NO</u> |
| m) Is an emergency generator located to minimize noise? | <u>N/A</u> | <u>NO</u> |
| n) Are there any noise, vibration, glare, fumes or other impacts? | <u>NO</u> | <u>NO</u> |

RECEIVED

MAY 27 2011

Dept. of Building Inspection
 City of Portland Maine

Signature of Applicant: [Signature] Date: 4.6.11



May 19, 2011

Shukria Wiar, Planner
City of Portland
Planning and Urban Development Department, Planning Division
389 Congress St
Portland Maine 04101

Subject: Revised Exterior Lighting
The Bank of Maine

Dear Shukria,

On behalf of The Bank of Maine, Gawron Turgeon Architects agrees to replace the proposed blue exterior LED iLight to the white exterior LED iLight.

Based on the above revision, it is our understanding that with the City of Portland will grant the lighting and signage permits.

Best regards,

Gawron Turgeon Architects

Rachel Sunnell, RLA
Maine Licensed Landscape Architect



April 8, 2011

City of Portland
Planning and Urban Development Department, Planning Division
389 Congress St
Portland Maine 04101

Subject: Administrative Authorization Application
The Savings Bank of Maine
Proposed Exterior LED Building Lighting

Dear Barbara Barhydt,

On behalf of The Savings Bank of Maine, our office is pleased to submit Administrative Authorization Application and permit request for exterior LED building lighting located at Two Canal Plaza in Portland.

The Savings Bank of Maine is proposing blue LED lighting to an existing brick channel located at each end the Middle Street façade (refer to photo). A wall pack fixture by "Kim Lighting" is also proposed over the new entrance door on Middle Street facade.

Other improvements that are not part of this application include interior blue LED lighting located on the first floor of Two Canal Plaza as shown in the attached rendering and signage.

Please find the attached documents for your review:

1. Building Elevations Sheet A400
2. Kim "Wall Director LED" specifications
3. iLight Technologies LED lighting specifications
4. Building night rendering
5. Existing condition photo of the brick channel

This proposal meets all the provisions in standards 1-11 of Section 14-423(b) 1.

I look forward to hearing from you. Please contact me at your earliest convenience if you have questions or require additional information.

Best regards,

Gawron Turgeon Architects

Rachel Sunnell

Rachel Sunnell, RLA
Maine Licensed Landscape Architect

Cc: The Savings Bank of Maine, Mary Turgeon Principal Gawron Turgeon Architects

architecture
interior design
master planning
landscape architecture

Plexineon Color Series

Introducing the Plexineon Color Series

The next generation of lighting addressable LEDs. High intensity color LEDs in a compact, low profile, rugged, and durable acrylic channel design. The patented, low voltage, high power, acrylic channel is glow in the dark, making it ideal for use in low light environments. The Plexineon Color Series is available in a wide range of colors to meet your specific lighting needs.

Plexineon is a durable, low voltage, high power, compact, linear and curved form factor, addressing all your lighting needs. Plexineon is a low voltage, high power, glow in the dark, and shock resistant, making it ideal for use in low light environments. Plexineon is available in a wide range of colors to meet your specific lighting needs.

FEATURES & SPECIFICATIONS

Features & Benefits

- Bright, even-toned color
- Exterior and interior uses
- Durable construction
- Energy efficient
- Low voltage
- Easy to install
- Cool to the touch

Intended Use

For use as exterior and interior direct view accent lighting, interior indirect lighting, cove lighting, counter lighting, signage and more

Construction

- UV and impact resistant acrylic diffuser
- UV resistant plastic channel in silver
- Stainless steel c-channel for rigidity
- High intensity LEDs as light source
- Patented system and components

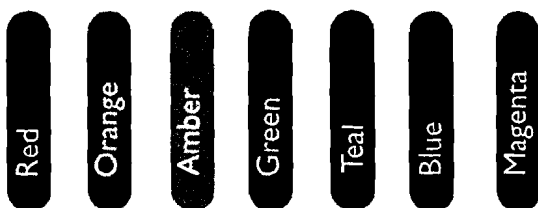
Available

- 2', 4', 6', 8' standard lengths
- Custom easy, convex and concave bends
- Custom lengths
- 9" x 9" lit outside corner pieces
- 2' field cuttable pieces
- System includes power supply, clips, and wire

Listing

MetLabs listed. MetLabs is a nationally recognized testing lab. Complies with UL 1598 and CSA C22.2 No. 250 in Luminaries. Wet listed.

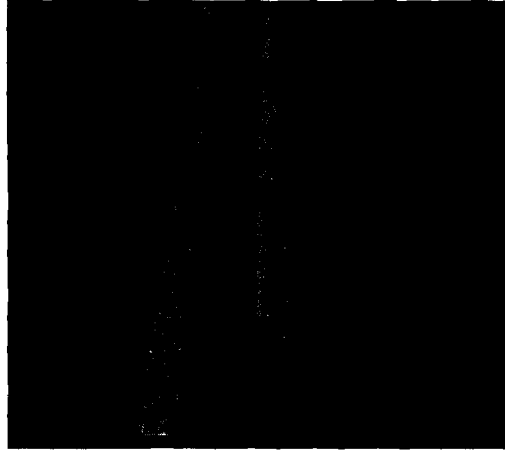
Available Colors



Call us today at 312.876.8630, or visit us on the Web.

Plexineon Color Series - Cool Colors

PRODUCT SUMMARY



PRODUCT FEATURES

- Bright, even-toned color
- Durable construction
- Long life
- Energy efficient
- Low voltage
- Easy to install
- Cool to the touch
- For use as exterior or interior accent lighting, direct view or indirect view applications, coves, signage & more

Light Colors

- Blue
- Teal
- Green

Diffuser Color

- Frosted (when not illuminated)

Lengths Available

- 2', 4', 6', 8' (610 mm, 1219 mm, 1830 mm, 2438 mm)
- 2' (610mm) field cuttable pieces
- Illuminated outside corner pieces
- Factory custom lengths available to the nearest 1/2" (13mm) +/- 0.25" (6mm)
- Factory convex or concave bends to minimum inside radius of 5" (127mm)¹
- Factory "easy bends" to 3/16" (5mm)¹ radius
- Gentle field bends to a 48" (1219mm) radius²

Power Supply

- Class 2 24VDC, 100 Watts - must be supplied by iLight
- Primary voltage: 120 or 120-277 depending on model
- Secondary voltage: 24VDC 4.1 A Max
- Maximum illumination length of a single LED power supply: 32 feet (9.75m)

Power Supply Tips

- 20% overage for breaker for primary current draw
- Do not plug multiple power supplies into one run of Plexineon
- All iLight power supplies should be on an independent circuit
- Recommend surge protection upstream from power supply
- Verify correct voltage prior to wiring to non-switching power supplies

Low Voltage Cable

Maximum distance of low voltage cable in any given run:

- 14 AWG: 40 feet (12.19m)
- 12 AWG: 60 feet (18.29m)
- 10 AWG: 100 feet (30.48m)

1. Drawing required for production

2. Field bending allowed only on fixtures without C-channel

ORDERING INFORMATION

CLASS	VOLTAGE	COLOR	HOUSING	LENGTH	CHANNEL	VERSION
T	24		S			00
T = Trim	24 = 24V	BLU = Blue TEA = Teal GRN = Green	S = Silver	2F = 2 Feet 4F = 4 Feet 6F = 6 Feet 8F = 8 Feet CL = Custom Length TT = 2 Foot Cuttable PC = Outside Corner BE = Bend - Easy BN = Bend - Convex BV = Bend - Concave	SC = Stainless Steel Channel NC = No Channel	00

Specification sheets are subject to change without notice. For the most recent version, please refer to www.ilight-tech.com.

MK-0809

Plexineon Color Series - Cool Colors

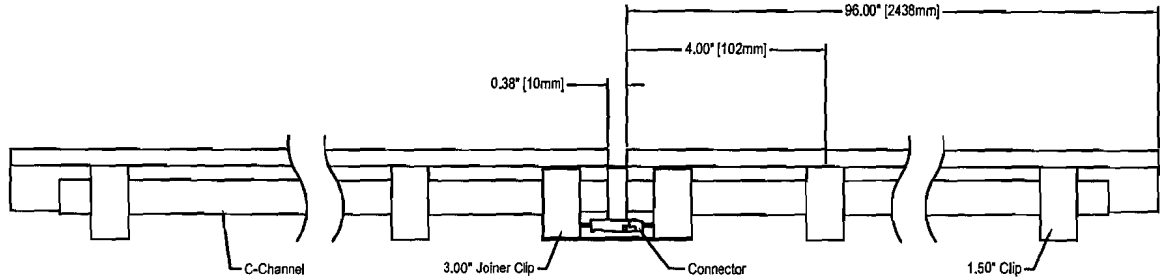
TECHNICAL INFORMATION

MECHANICAL	<p>Width & Height Housing</p> <ul style="list-style-type: none"> • 0.55"(14mm)w x 1.35"(34mm)h with C-channel • UV and impact resistant acrylic diffuser • UV resistant plastic channel • Stainless steel C-channel for mechanical support <p>Minimum Piece Spacing</p> <ul style="list-style-type: none"> • Linear (end to end) = $\frac{3}{8}$" (10mm) • Parallel (edge to edge) = 1" (25mm) <p><small>*The minimum space for ventilation surrounding the Plexineon product is 1.0". This distance should be maintained on the three sides, left and right of the product as well as in front of product. Other configurations subject to specific application testing.</small></p>	<p>Mounting</p> <ul style="list-style-type: none"> • Stainless steel spring mounted clips • Clips to be 2" (51mm) in from end of piece and no more than 2' (610mm) maximum between clips <p>Power Supply Weight</p> <ul style="list-style-type: none"> • Electronic (Advance) Power Supply is 2 lbs. (0.9 kg) • Outdoor Magnetic Hybrid Power Supply is 9 lbs. (4 kg) <p>Power Supply Dimensions</p> <ul style="list-style-type: none"> • Electronic (Advance) = 9.50" x 1.18" x 1.70" (242mm X 30mm X 43mm) • Outdoor Magnetic Hybrid= 11.25" x 3.25" x 3.36" (286mm x 83mm X 85mm)
ELECTRICAL	<p>Load Voltage 24V DC</p> <p>Load Current 108 mA/foot at 24VDC (354 mA/meter) 2.59 watts/foot (8.50 watts/meter)</p> <p>Maximum Run Length 32 feet (9.75m) with an iLight approved power supply</p>	<p>DC Cable</p> <ul style="list-style-type: none"> • 14 AWG, PVC/Nylon Type TC 600 Volt power and control cable or equivalent • FT-4 fire rating • Class 2 wiring system • Connectors: Molex Splashproof - JIS D0203 S2 <p>Electrical Tips</p> <ul style="list-style-type: none"> • Only use iLight approved power supplies • Do not cut non-cuttable pieces
ENVIRONMENTAL	<p>Operating Temperature Range -25°C to 50°C (-13°F to 122°F)</p> <p>Storage Temperature Range -25°C to 75°C (-13°F to 167°F)</p>	<p>Certification</p> <ul style="list-style-type: none"> • Plexineon is MetLabs listed. MetLabs is a Nationally Recognized Testing Laboratory (NRTL). Complies with UL 1598 and CSA c22.2 No. 250 in Luminaire, Wet location listed. • Power Supplies are RU listed. RU stands for Recognized Components by Underwriters Laboratory.

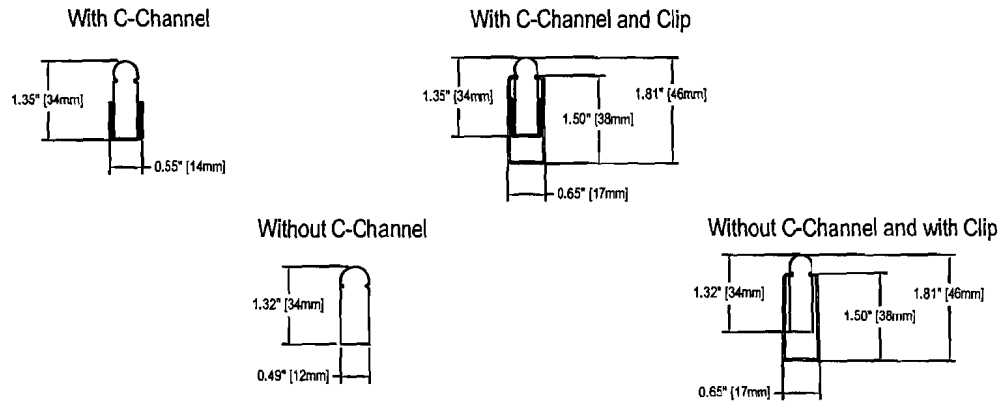
Plexineon Color Series - Cool Colors

TECHNICAL INFORMATION

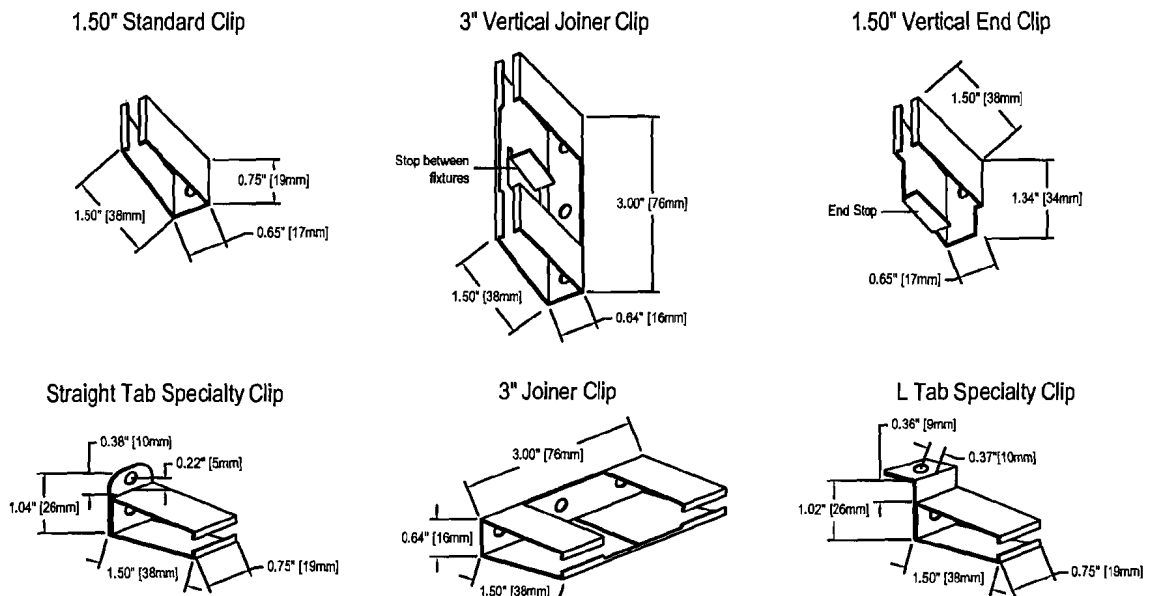
PLEXINEON PROFILE



PLEXINEON CROSS SECTIONS



MOUNTING CLIPS



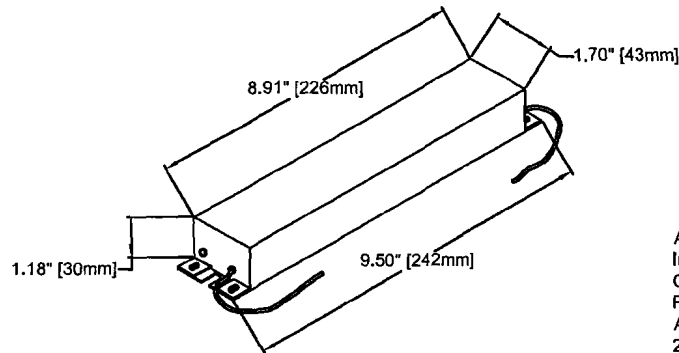
Note: Mounting Hole = $\varnothing 3/16"$

Plexineon Color Series -Cool Colors

TECHNICAL INFORMATION

Plexineon Power Supplies

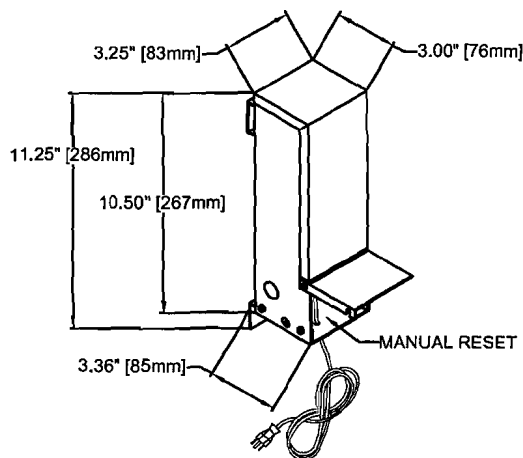
ELECTRONIC (ADVANCE)
POWER SUPPLY



ADV100W24V
Input: 120-277VAC 50/60Hz
Output: 24VDC 4Amax
RU listed for U.S. and Canada
Additional enclosure may be required
2 lbs. (0.9kg)



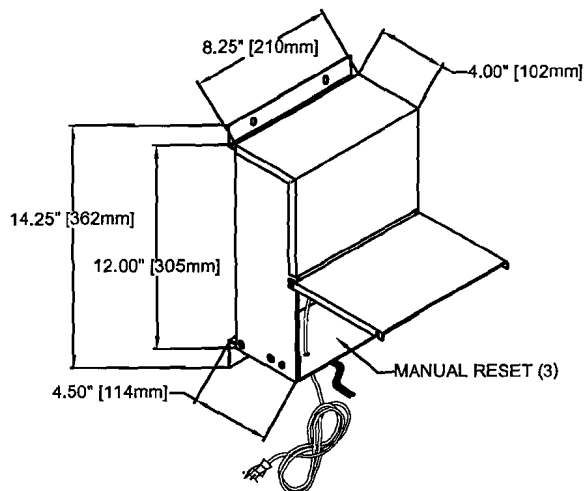
MAGNETIC HYBRID
POWER SUPPLY
IN 3R ENCLOSURE



PN10124DCR-3R
Input: 120VAC 50/60Hz
Output: 24VDC 4Amax
RU listed for U.S.
Enclosed in NEMA 3R enclosure
9 lbs. (4kg)



MAGNETIC HYBRID 3-OUTLET
POWER SUPPLY IN 3R ENCLOSURE



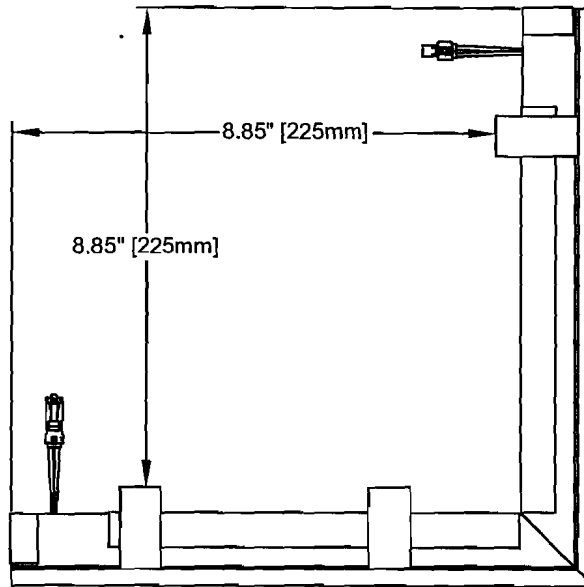
PNC224024DCR-3R
Input: 120VAC 60Hz
Output: 24VDC 4Amax X 3
RU listed for U.S.
Enclosed in NEMA 3R enclosure
25 lbs. (12kg)



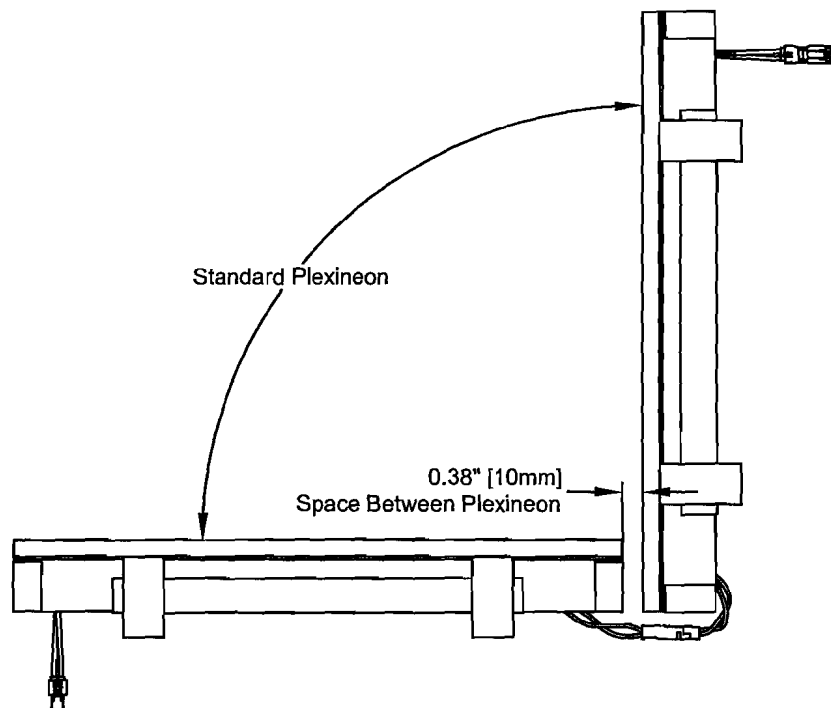
Plexineon Color Series - Cool Colors

TECHNICAL INFORMATION

OUTSIDE CORNER



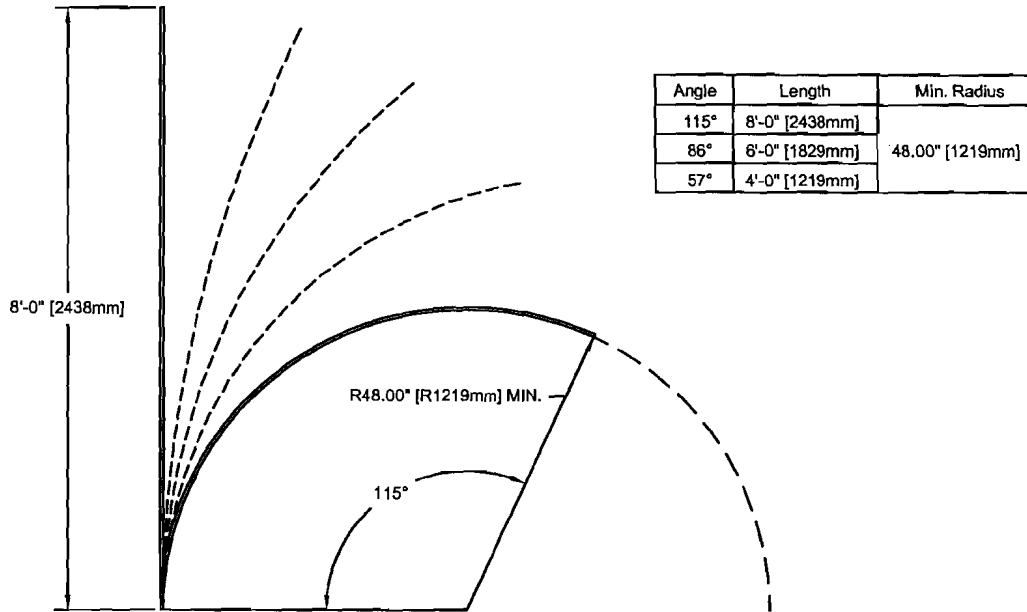
INSIDE CORNER



Plexineon Color Series - Cool Colors

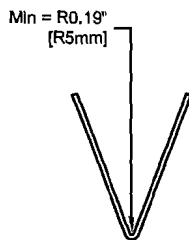
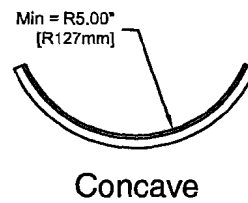
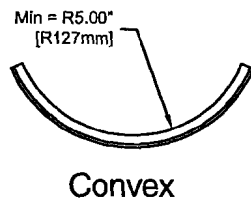
TECHNICAL INFORMATION

PLEXINEON FIELD BENDING¹⁻³



Note 1: Field bending shown in easy direction. Cannot field bend into convex or concave bends.
 Note 2: Easy direction refers to bend axis parallel to light direction.
 Note 3: Field bending allowed only on fixtures without C-channel.

PLEXINEON FACTORY BENDING

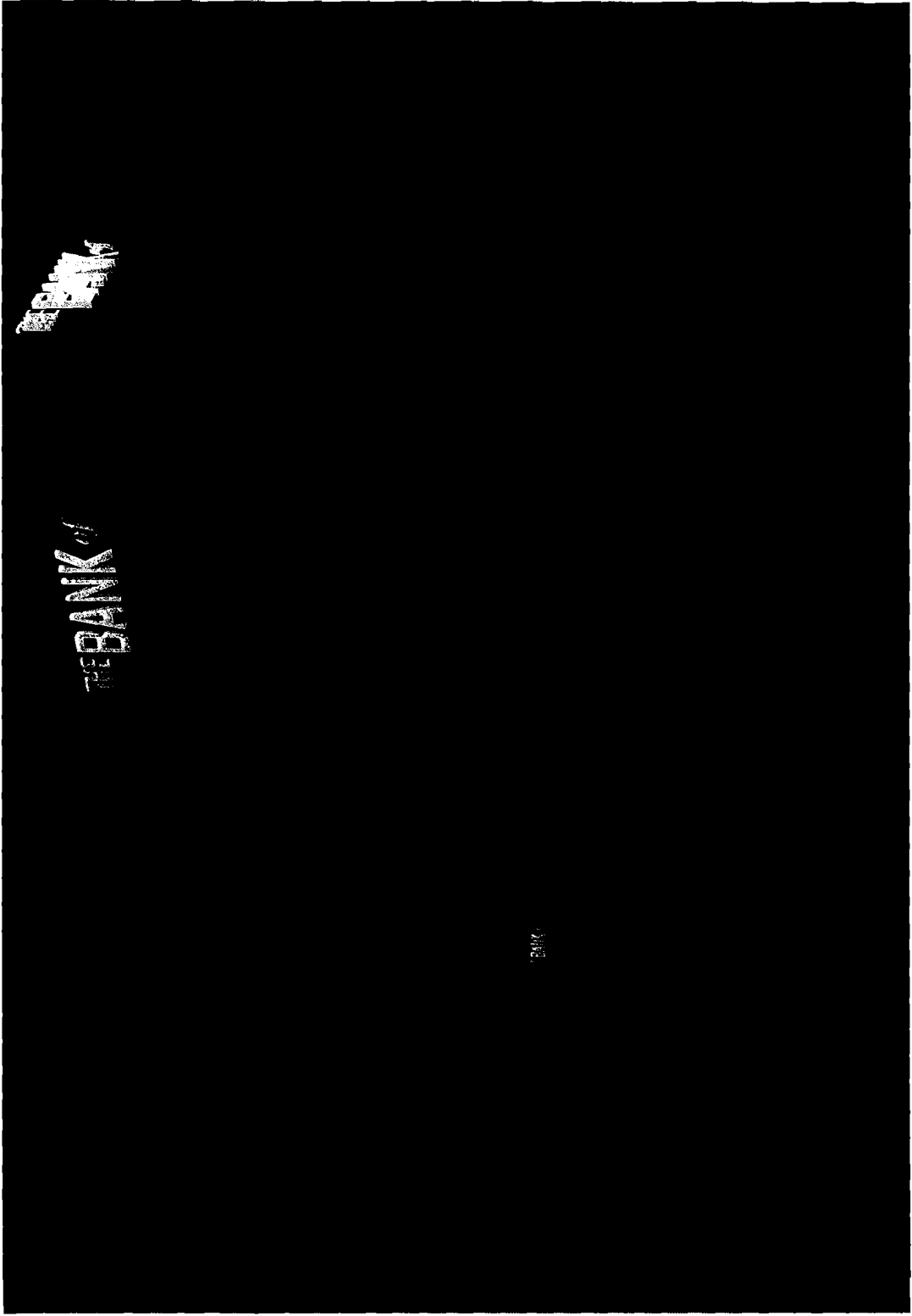


Easy Bend²

Location of blue
LED strip light

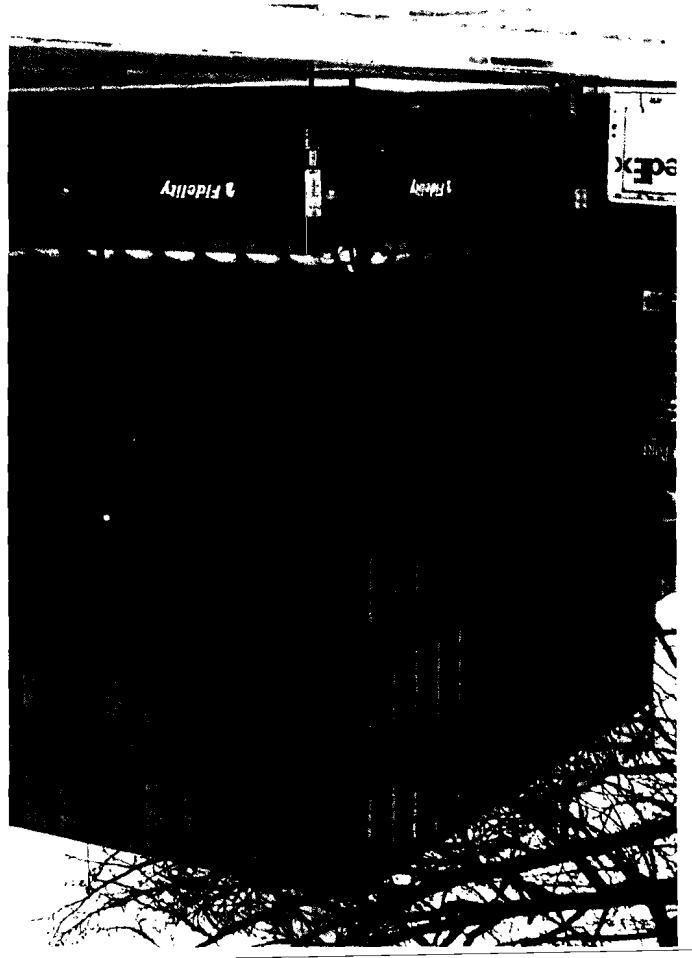
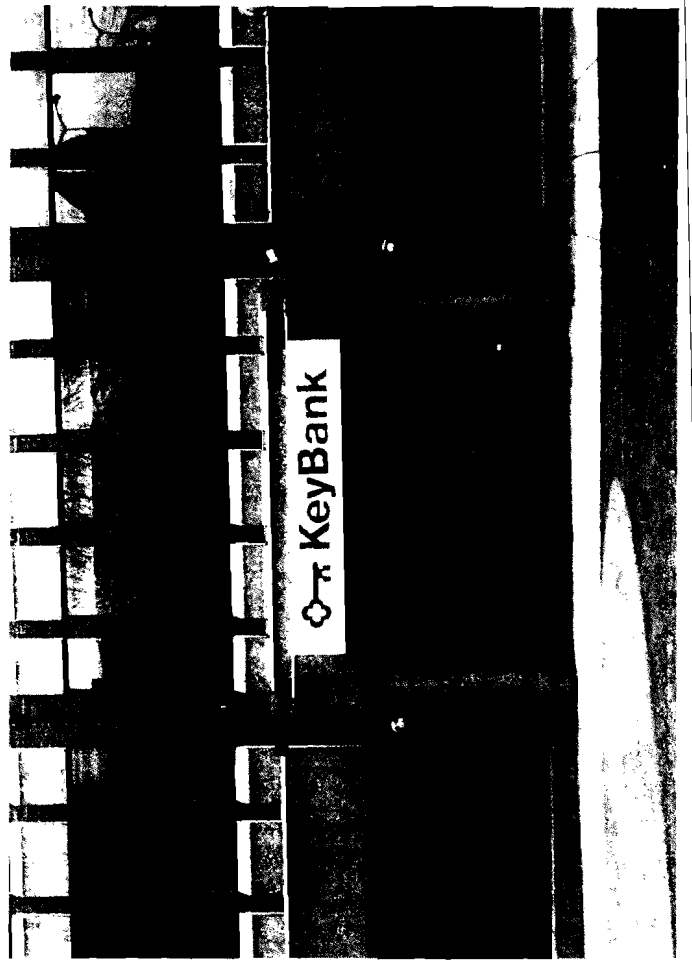
KeyBank

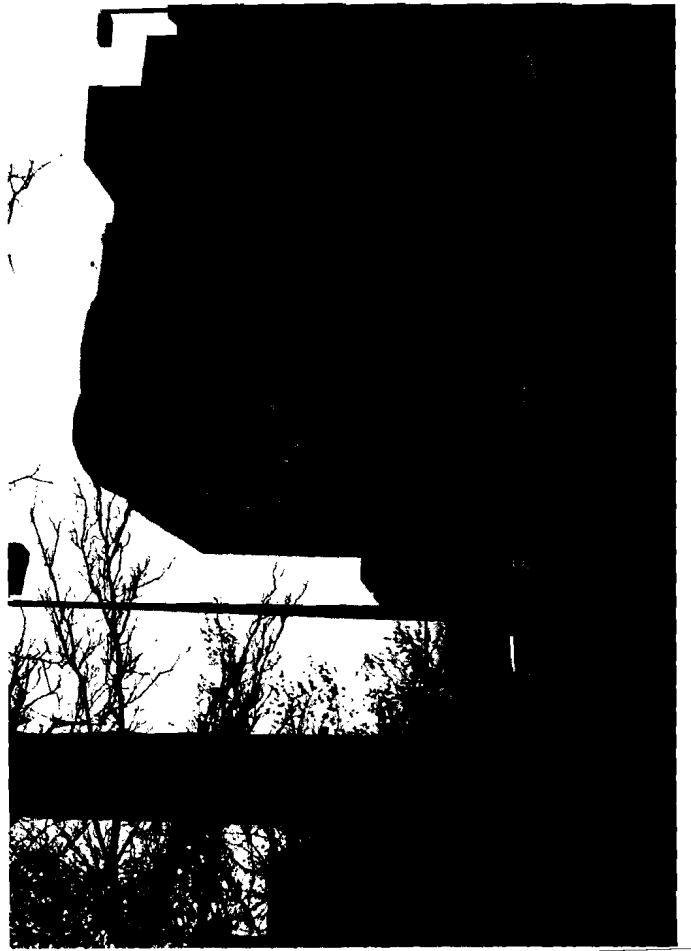
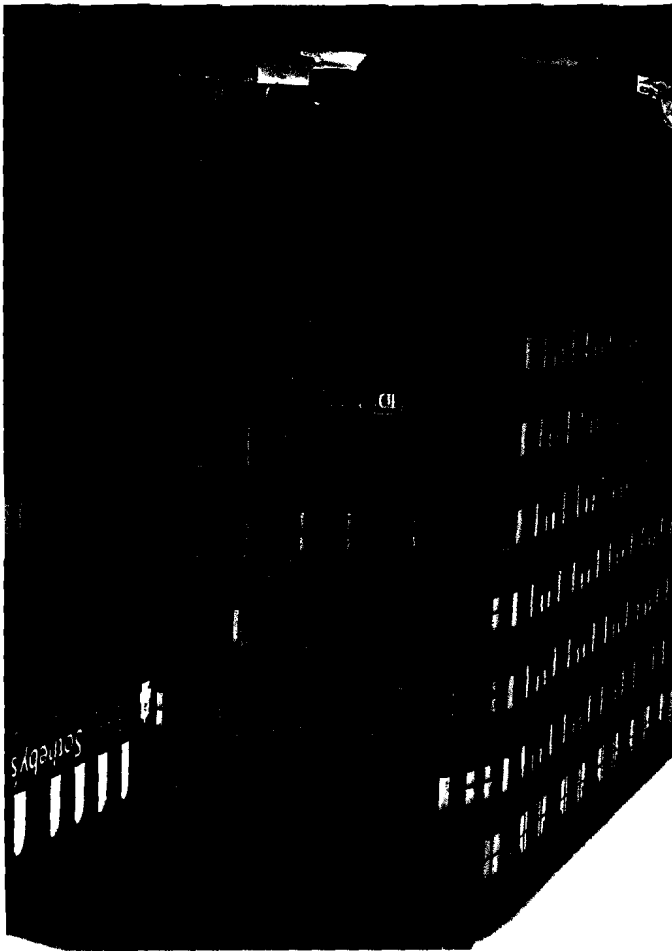
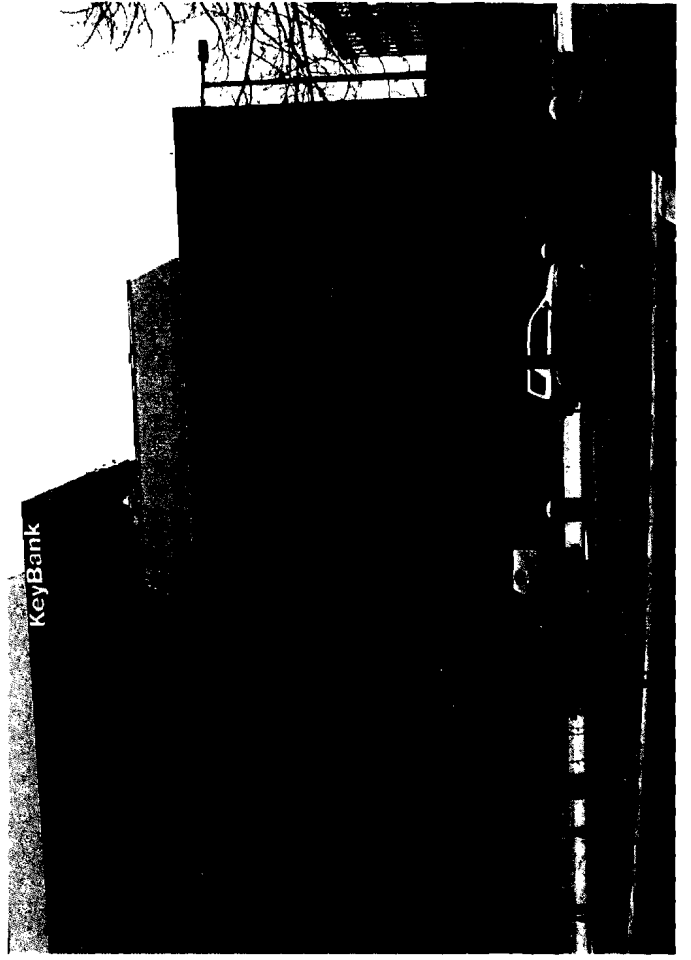
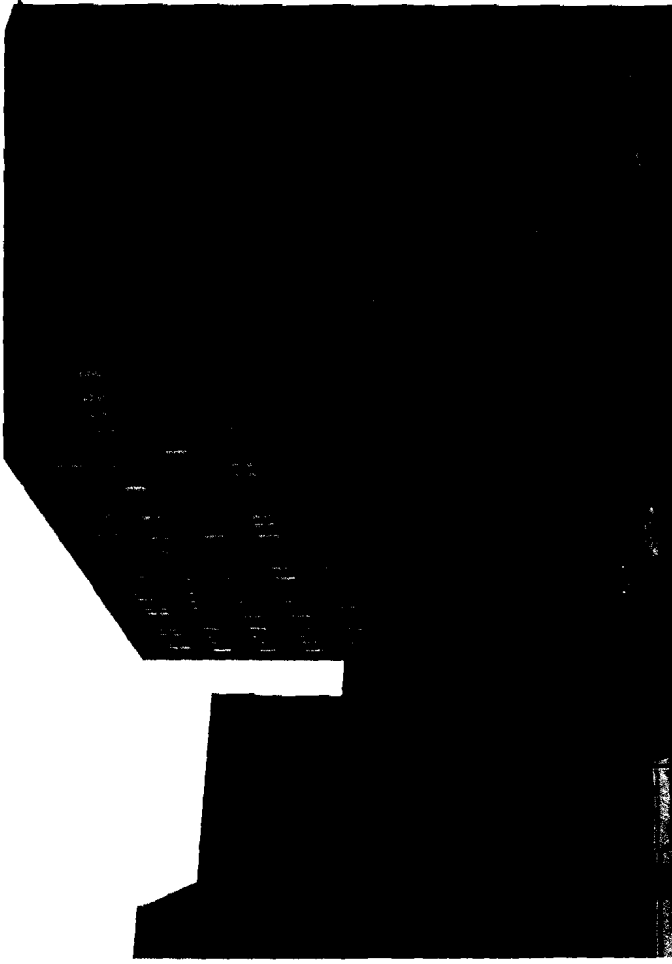


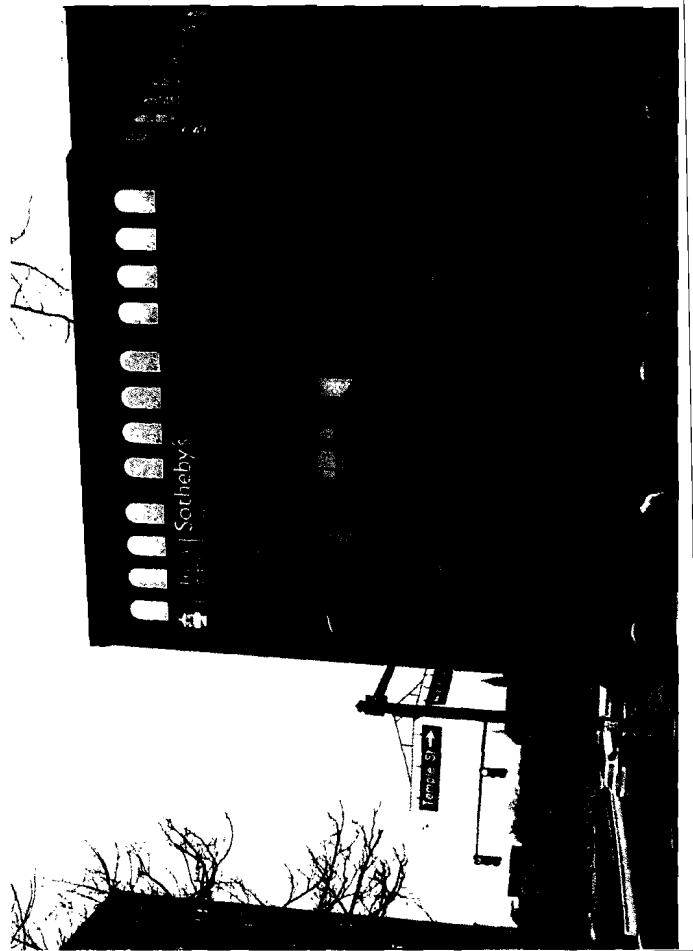
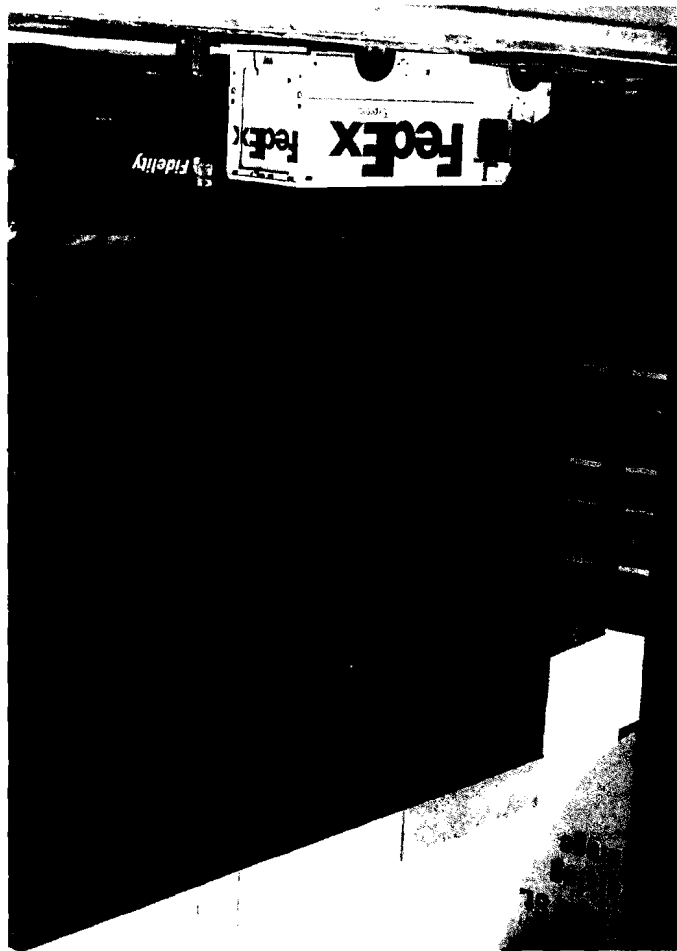


THE BANK of MAINE
Honesty first.

BANK OF MAINE
PORTLAND, MAINE









Wall Director[®] LED

The Wall Director LED provides an innovative solution to the challenge of lighting ground surfaces, canopies, ceilings, and architectural features from a wall mounted luminaire. Every aspect of its form expresses the functional qualities engineered into the design. Its flowing lines extend from the wall like a sconce, while simple geometry complements the architectural surface. Combined with performance LED optics, zero uplight above 90° (down position only), adjustability and invertible mounting, the Wall Director LED embodies the ultimate architectural wall luminaire. The Wall Director LED comes in two sizes and is compatible with many dimming systems.

This is LED wall mounted lighting perfection. This is Kim Lighting.

Type:
Job:
Catalog number:
WD14 , 277V PB ,

Fixture Electrical Module Finish Options

 See page 2 See pages 3-4

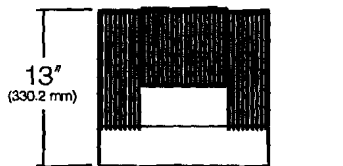
Approvals:

Date:
Page: 1 of 4

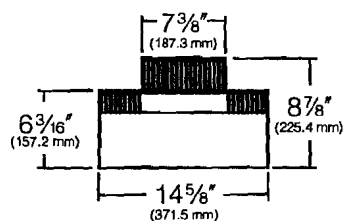
Specifications

WD14-LED

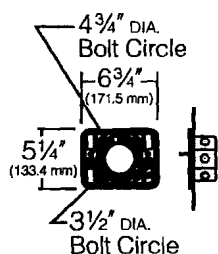
60 Light Emitting Diodes
 Total Max System Watts = 73W
 Maximum Weight = 26 lbs.



TOP

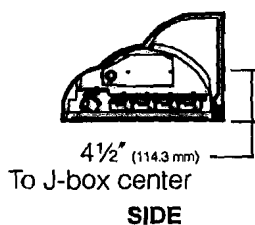


FRONT



Mounting Plate

Attaches directly to any standard 4" J-box (by others)



SIDE

Reflector Housing: One-piece die-cast, low copper (<0.6% Cu) aluminum alloy with integral cooling fins. Rotates against ballast housing to provide 10° of adjustment with degree markers cast into the housing. At 0° adjustment, lens is totally concealed from view above horizontal with fixture aimed downward.

Ballast Housing: One-piece die-cast, low copper (<0.6% Cu) aluminum alloy with integral cooling fins. Fastens to mounting plate with keyhole slots freeing both hands for securing and wiring. One stainless steel socket-head screw on each side of housing frees the reflector housing to rotate for aiming. Tightening the screws locks the two housings together with sealing provided by a silicone gasket. For visual aiming, adjustment may be accomplished with the fixture on.

Lens Frame: One-piece die-cast, low copper (<0.6% Cu) aluminum alloy with integral hinges and stainless steel pins. Toolless access to reflector housing with sealing provided by a one-piece extruded and vulcanized silicone gasket. Lens is clear flat 3/16" thick tempered glass sealed to lens frame with a silicone gasket and retainer clips. For UP models, lens is mounted flush with frame for water run off, and is silicone sealed.

Electronic Module: All electrical components are UL and CSA recognized, mounted on a single plate and factory prewired with quick-disconnect plugs. Module includes a driver, thermal control device and surge protector. Electrical module attaches to housing with no-tool hinges and latches, accessible by opening the lens frame only. Driver is rated for -40°F starting and has a 0-10V dimming interface for multi-level illumination options.

Optical Module: Precision, replaceable MicroEmitters are positioned to achieve directional control toward desired task. The entire EmitterDeck fastens to the housing as a one-piece module.

Electrical Components: High power factor ballasts are rigidly mounted inside the housing and are factory prewired with a quick-disconnect plug for mating to the socket.

Mounting Plate: Mounting plate attaches directly to any standard 4" junction box. All mounting plates are die-cast aluminum with reinforced ribs. Two studs are provided in each plate with flange nuts to allow fixture mounting by keyhole slots. Sealant must be applied (by others) between mounting plate and mounting surface to insure a dry junction box.

Finish/Color: Super TGIC thermoset polyester powder coat paint, 2.5 mil nominal thickness, applied over a titanated zirconium conversion coating; A.S.T.M. 2500 hour salt spray test endurance rating. Standard colors are Black, Dark Bronze, Light Gray, Stealth Gray®, Platinum Silver, or White. Custom colors are available.

Warranty: Kim Lighting warrants Wall Director LED products ("Product(s)") sold by Kim Lighting to be free from defects in material and workmanship for (i) a period of five (5) years for metal parts, (ii) a period of ten (10) years for exterior housing paint finish(s), (iii) a period of six (6) years for LED Light Engines and, (iv) a period of five (5) years for LED power components (driver, surge protector and LifeShield™ device), from the date of sale of such goods to the buyer as specified in Kim Lighting shipment documents for each product.

CAUTION: Fixtures must be grounded in accordance with national, state and/or local electrical codes. Failure to do so may result in serious personal injury.

Listings and Ratings

ETL to UL 1598 ¹ Standards	IP66 Rated	CE	25°C Ambient
---------------------------------------	------------	----	--------------

¹Suitable for wet locations

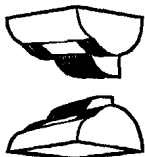
KIM LIGHTING RESERVES THE RIGHT TO CHANGE SPECIFICATIONS WITHOUT NOTICE.



Type:

Job:

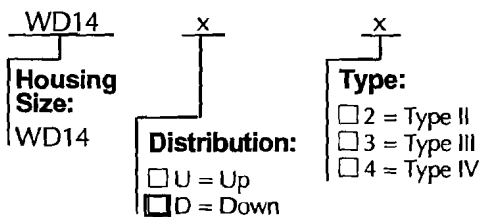
Page: 2 of 4



Standard Features

Fixture

Cat. No. designates **WD14** fixture, Up (U) or Down (D) configuration, and light distribution (2, 3 or 4).



Light Distribution:



Type II



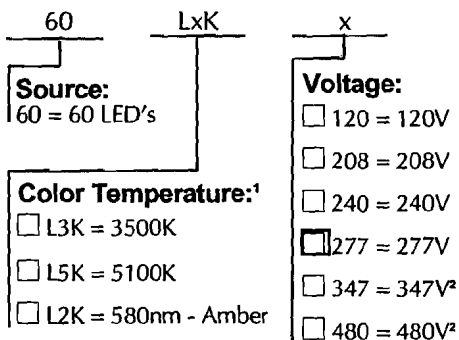
Type III



Type IV

Electrical Module

Cat. Nos. for Electrical Modules available:



¹4300K and 6500K are also available on an "Engineered-to-Order" (ETO) basis.

²Due to current unavailability of 347V and 480V drivers, specification of these voltages may feature an integral step-down transformer.

Fixture	Total System Watts	Volt	Operating Amps
WD14-Small	73	120	0.61
WD14-Small	73	208	0.35
WD14-Small	73	240	0.30
WD14-Small	73	277	0.26
WD14-Small	73	347	0.21
WD14-Small	73	480	0.15

Finish

Super TGIC powder coat paint over a titanated zirconium conversion coating.

Color: Black Dark Bronze Light Gray Stealth Gray® Platinum Silver White Custom Color¹

Cat. No.: BL DB LG SG PS WH CC

¹Custom colors subject to additional charges, minimum quantities and extended lead times. Consult representative. Custom color description: _____